



US00D793596S

(12) **United States Design Patent** (10) **Patent No.:** **US D793,596 S**
Haynes et al. (45) **Date of Patent:** **** Aug. 1, 2017**

(54) **LIGHT**
(71) Applicant: **CEJAY ENGINEERING, LLC**, Bonita Springs, FL (US)
(72) Inventors: **Mark Haynes**, Nashua, NH (US); **Derek Haynes**, Bonita Springs, FL (US); **Guido Albert Lemke**, Hopewell Junction, NY (US)
(73) Assignee: **CeJay Engineering, LLC** FL (US)
(**) Term: **15 Years**
(21) Appl. No.: **29/566,982**
(22) Filed: **Jun. 3, 2016**
(51) **LOC (10) Cl.** **26-02**
(52) **U.S. Cl.**
USPC **D26/39**
(58) **Field of Classification Search**
USPC D26/39, 37, 38, 44, 42, 43, 46, 48, 49, D26/51
CPC F21L 2003/00; F21L 4/00; F21L 4/005; F21L 4/02; F21L 4/025; F21L 4/027; F21L 4/04; F21L 4/08; F21L 2005/00; F21L 7/00; F21L 11/00; F21L 13/00; F21L 13/04; F21L 13/08; F21L 14/02; F21L 17/00; F21L 19/00
See application file for complete search history.

D621,079 S * 8/2010 Lau D26/39
D649,272 S * 11/2011 Araujo D26/39
D733,951 S * 7/2015 Kent D26/39
D765,897 S * 9/2016 Dir D26/39
2015/0252967 A1* 9/2015 Worman F21L 4/005
362/187
2016/0146443 A1* 5/2016 Steiner F21V 23/001
362/105
2016/0348880 A1* 12/2016 Galli F21V 21/0885
* cited by examiner

Primary Examiner — Lakiya Rogers
Assistant Examiner — Carissa C Fitts
(74) *Attorney, Agent, or Firm* — Finnegan, Henderson, Farabow, Garrett and Dunner, LLP

(57) **CLAIM**

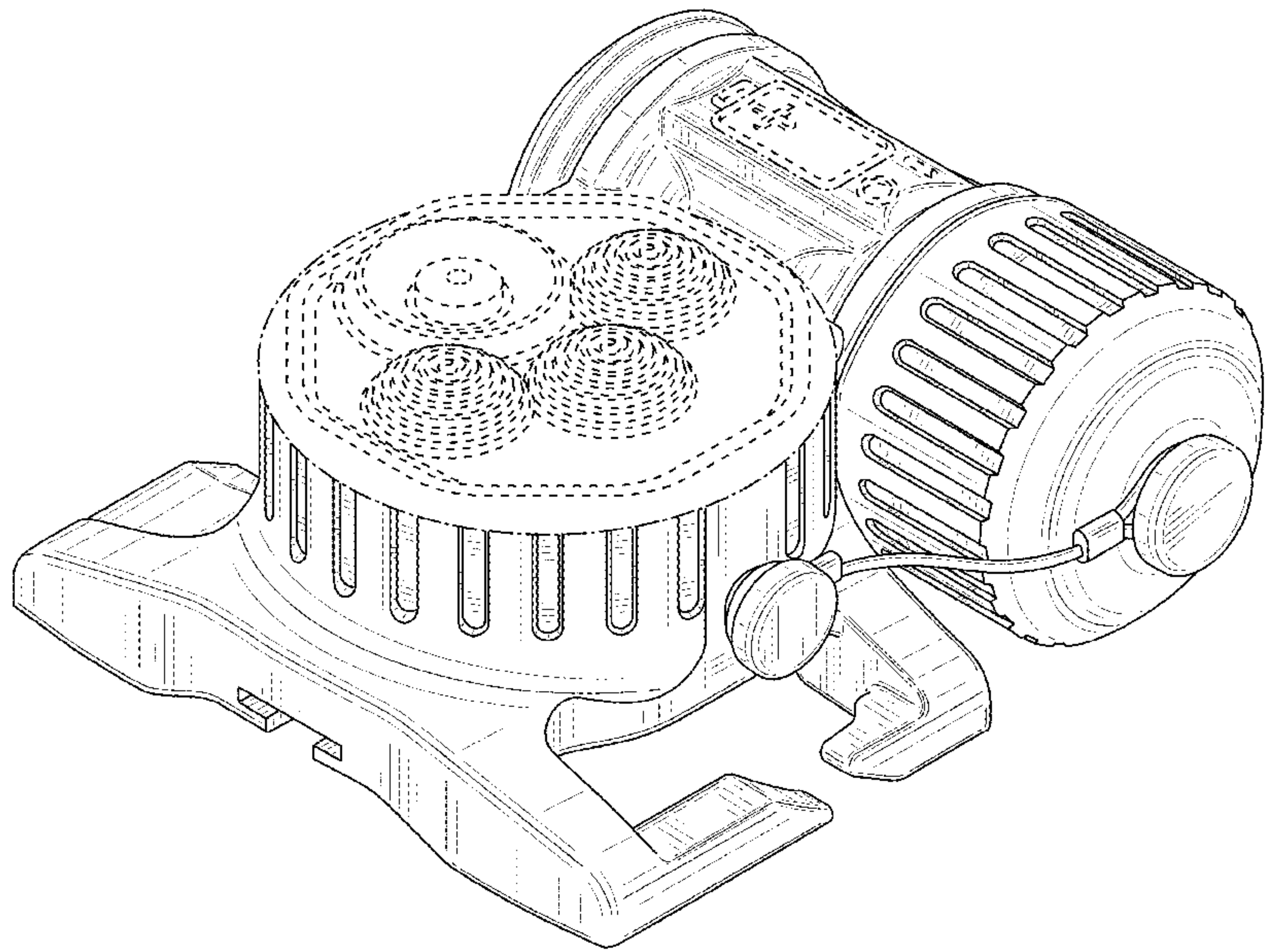
The ornamental design for a light, as shown and described.

DESCRIPTION

FIG. 1 is a top, front, left perspective view of a light showing our new design;
FIG. 2 is a bottom, back, right perspective view thereof;
FIG. 3 is a front elevation view thereof;
FIG. 4 is a rear elevation view thereof;
FIG. 5 is a left elevation view thereof;
FIG. 6 is a right elevation view thereof;
FIG. 7 is a top plan view thereof;
FIG. 8 is a bottom plan view thereof; and,
FIG. 9 is a top, front, left perspective view of the light coupled to a strap.
The dash-dash broken lines shown in the drawings represent parts of the light that form no part of the claimed design. In FIG. 9, the dash-dash broken lines also represent the unclaimed strap. The dot-dash broken lines shown in the drawings represent the unclaimed boundary of the claimed design.

1 Claim, 9 Drawing Sheets

(56) **References Cited**
U.S. PATENT DOCUMENTS
D353,012 S * 11/1994 Mihavetz D26/39
D447,587 S * 9/2001 Poon D26/39
D485,384 S * 1/2004 Poon D26/39
D547,892 S * 7/2007 Miyamoto D26/39
D553,277 S * 10/2007 Ho D26/39
D605,319 S * 12/2009 Devaney D26/39



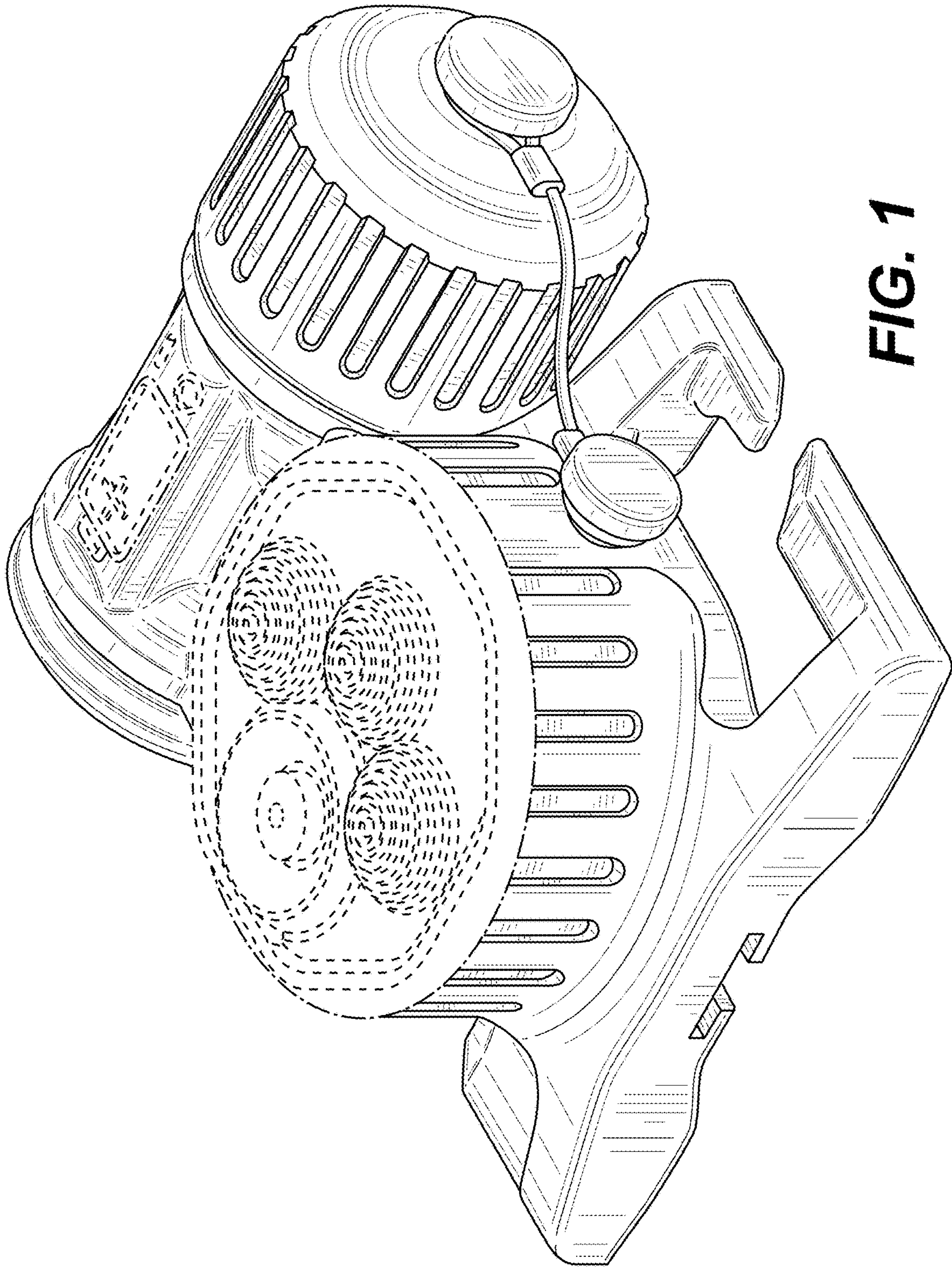


FIG. 1

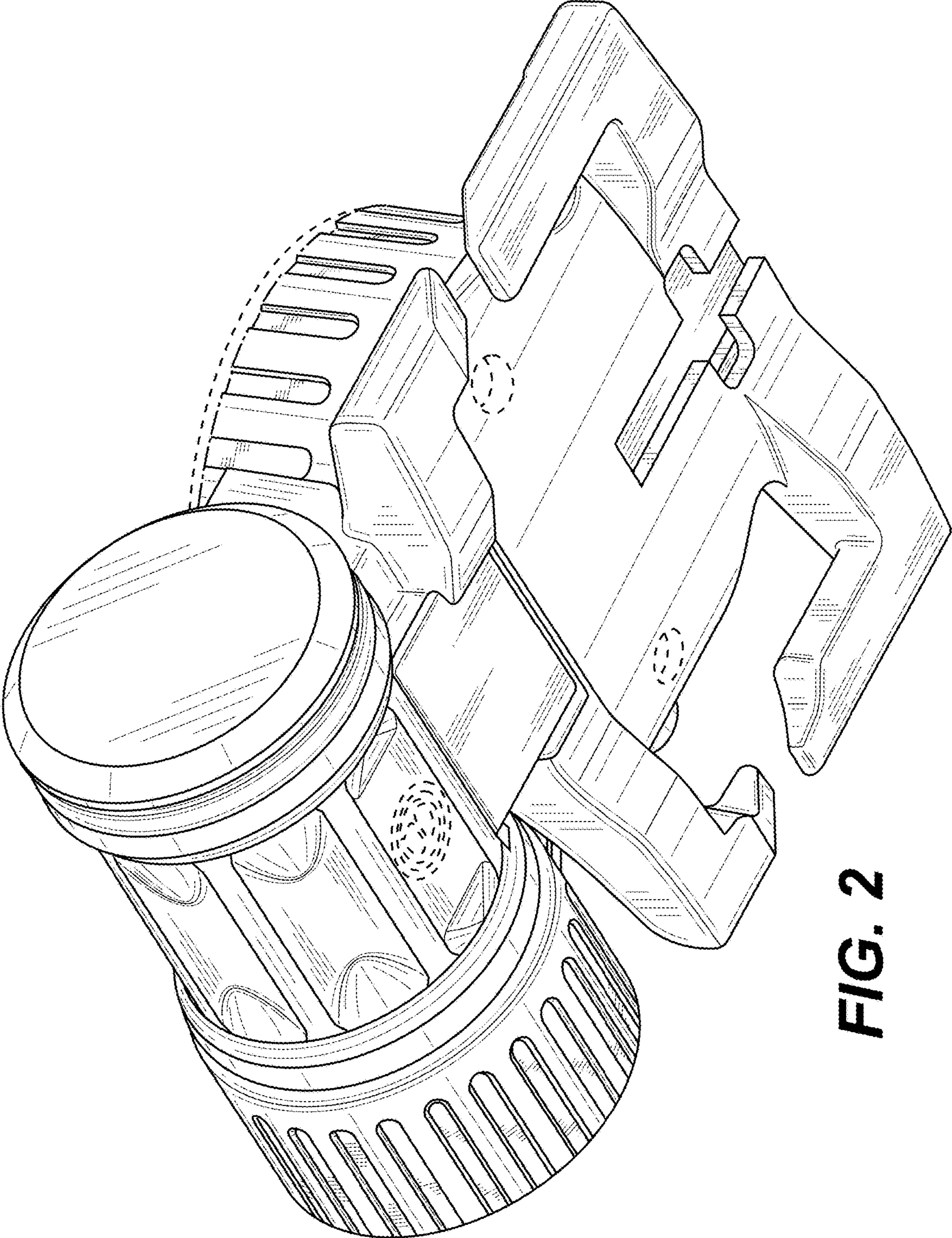


FIG. 2

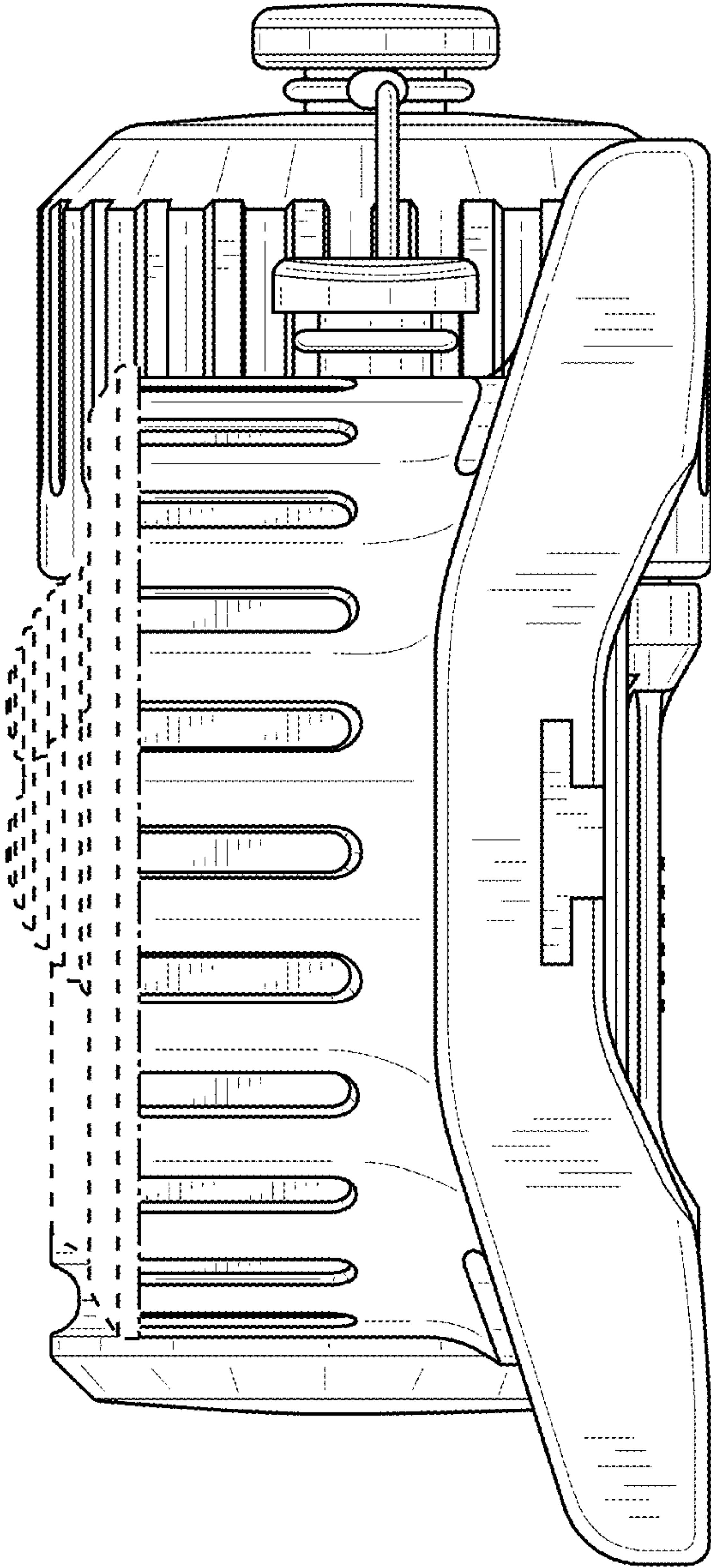


FIG. 3

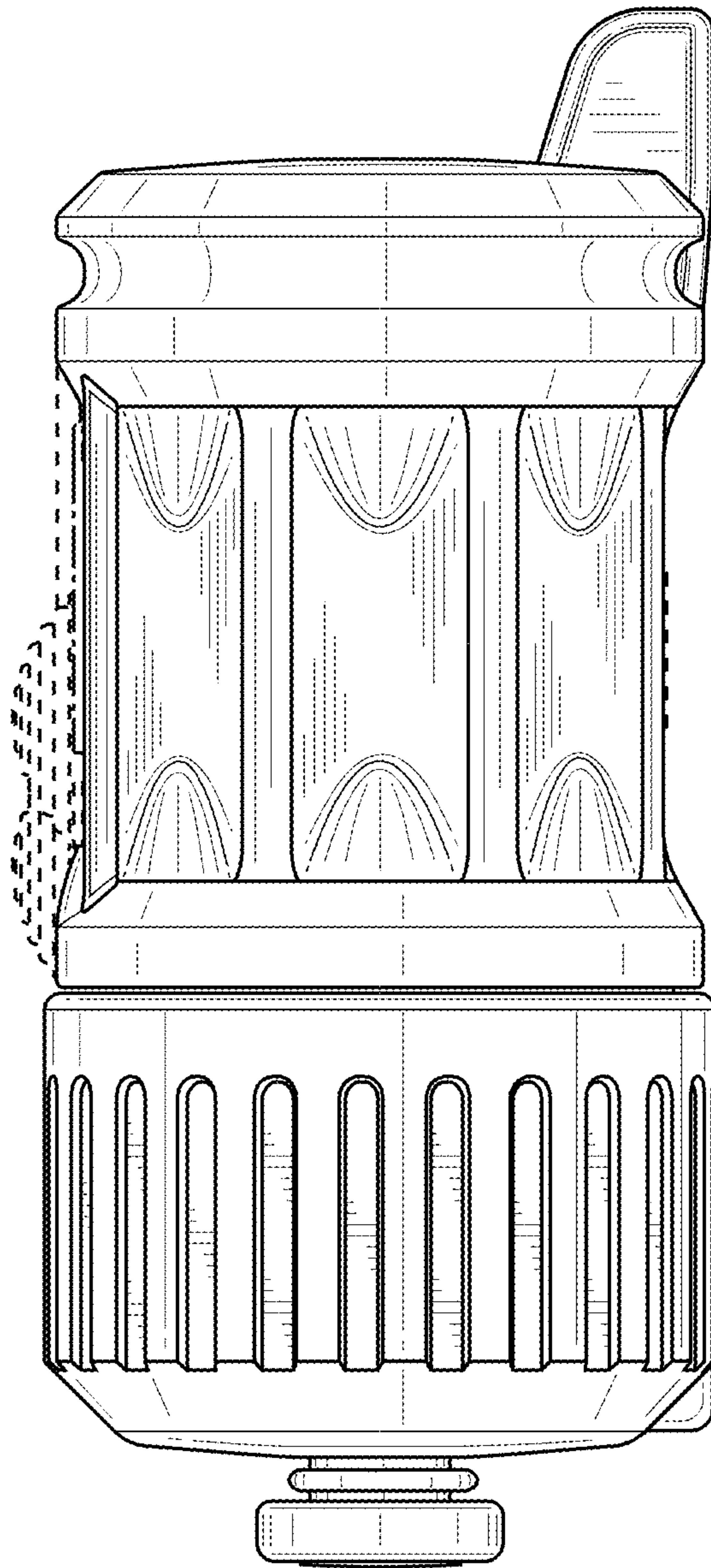


FIG. 4

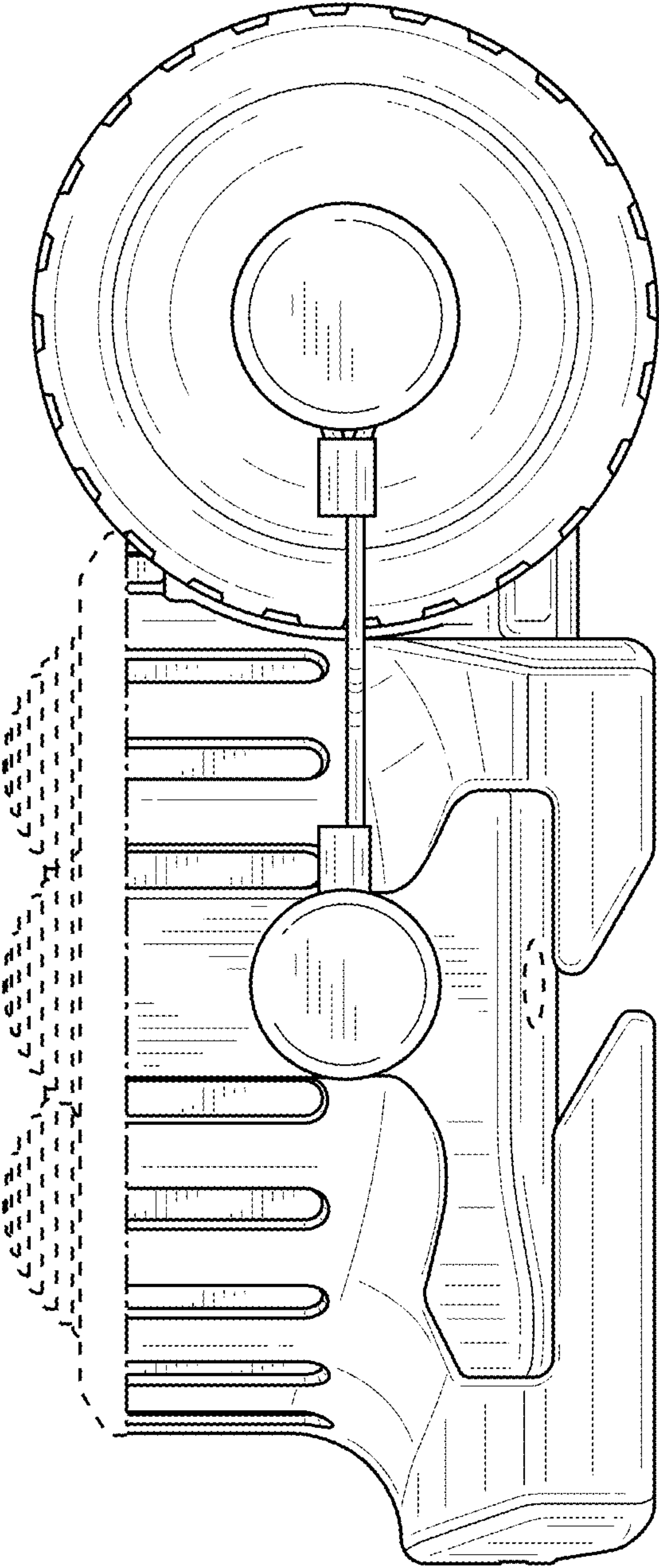


FIG. 5

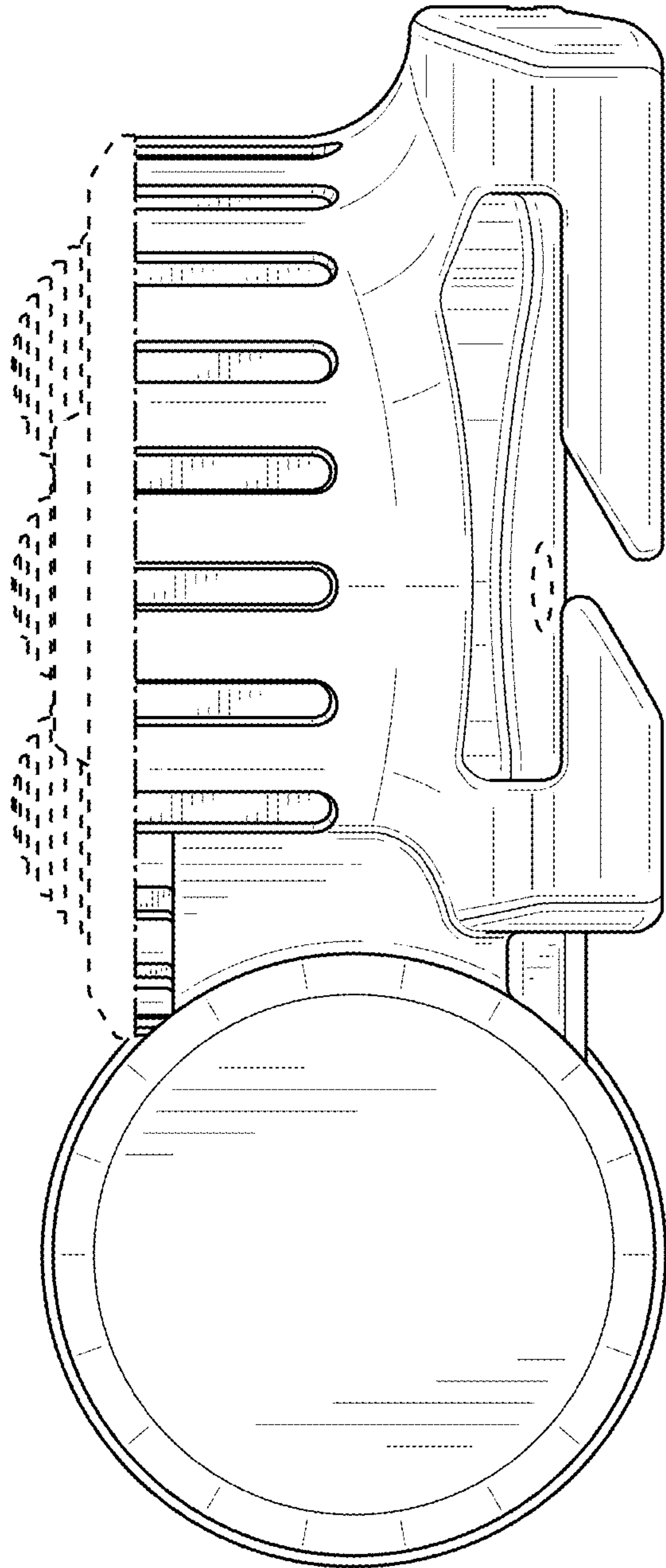


FIG. 6

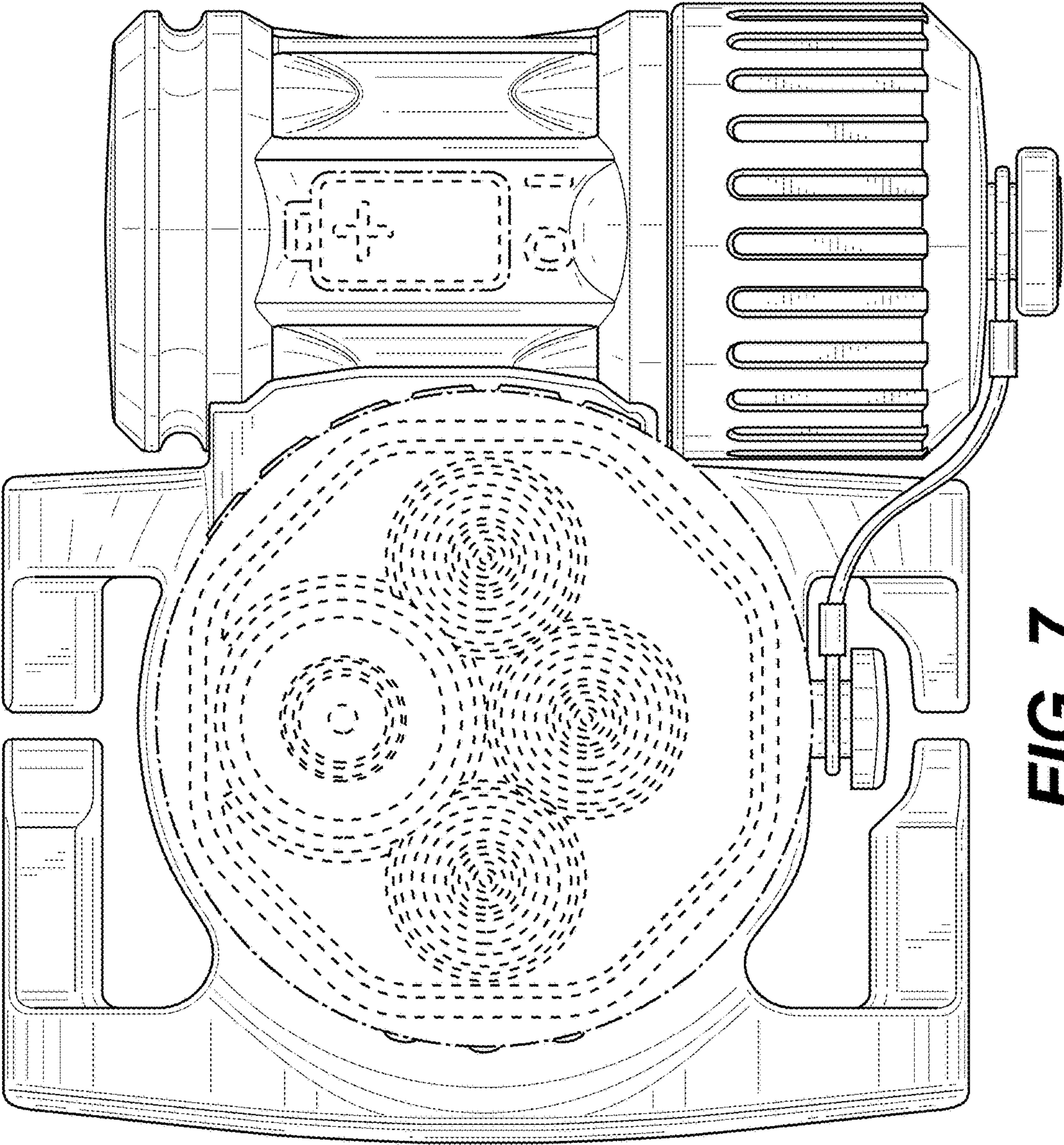


FIG. 7

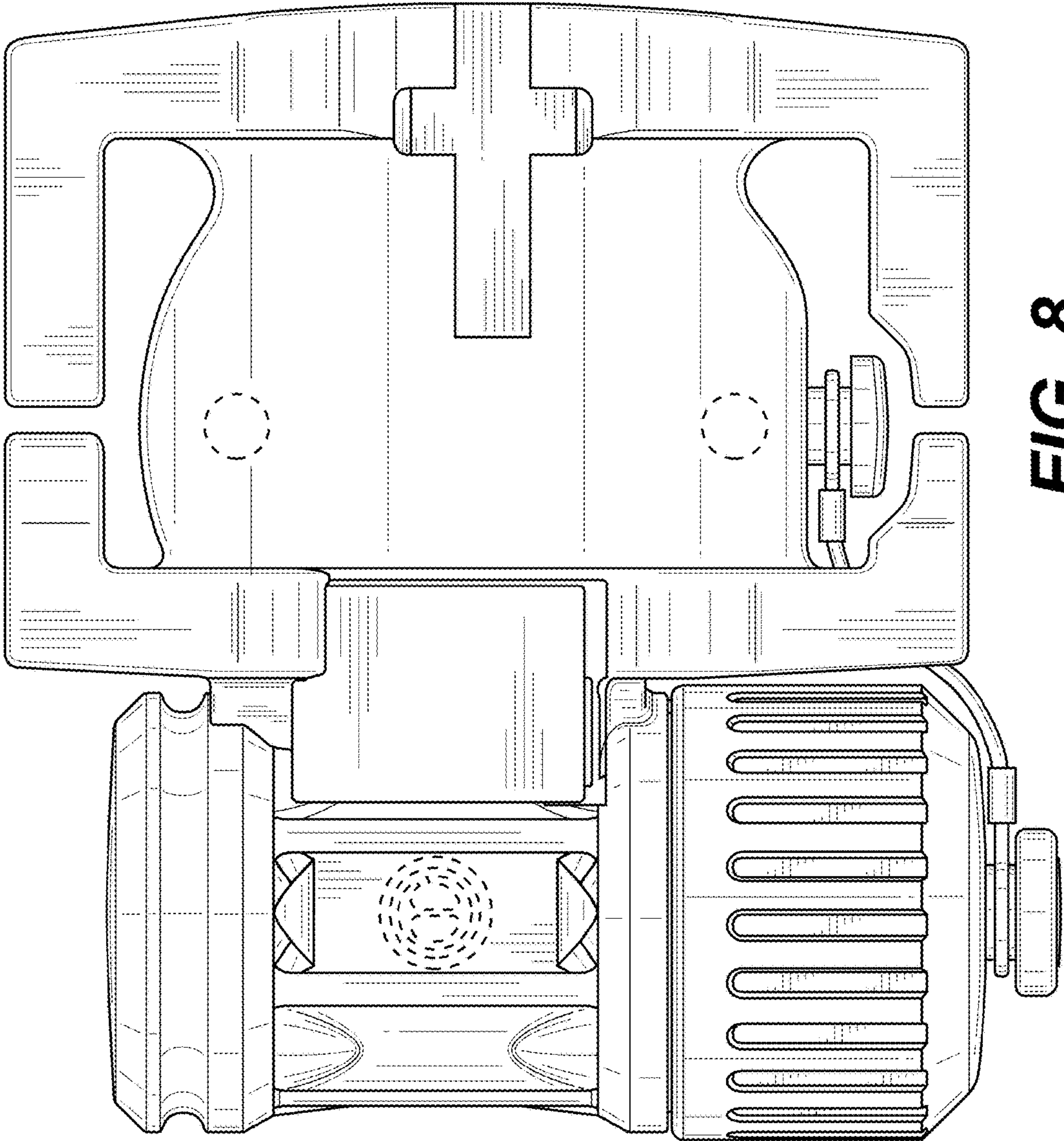


FIG. 8

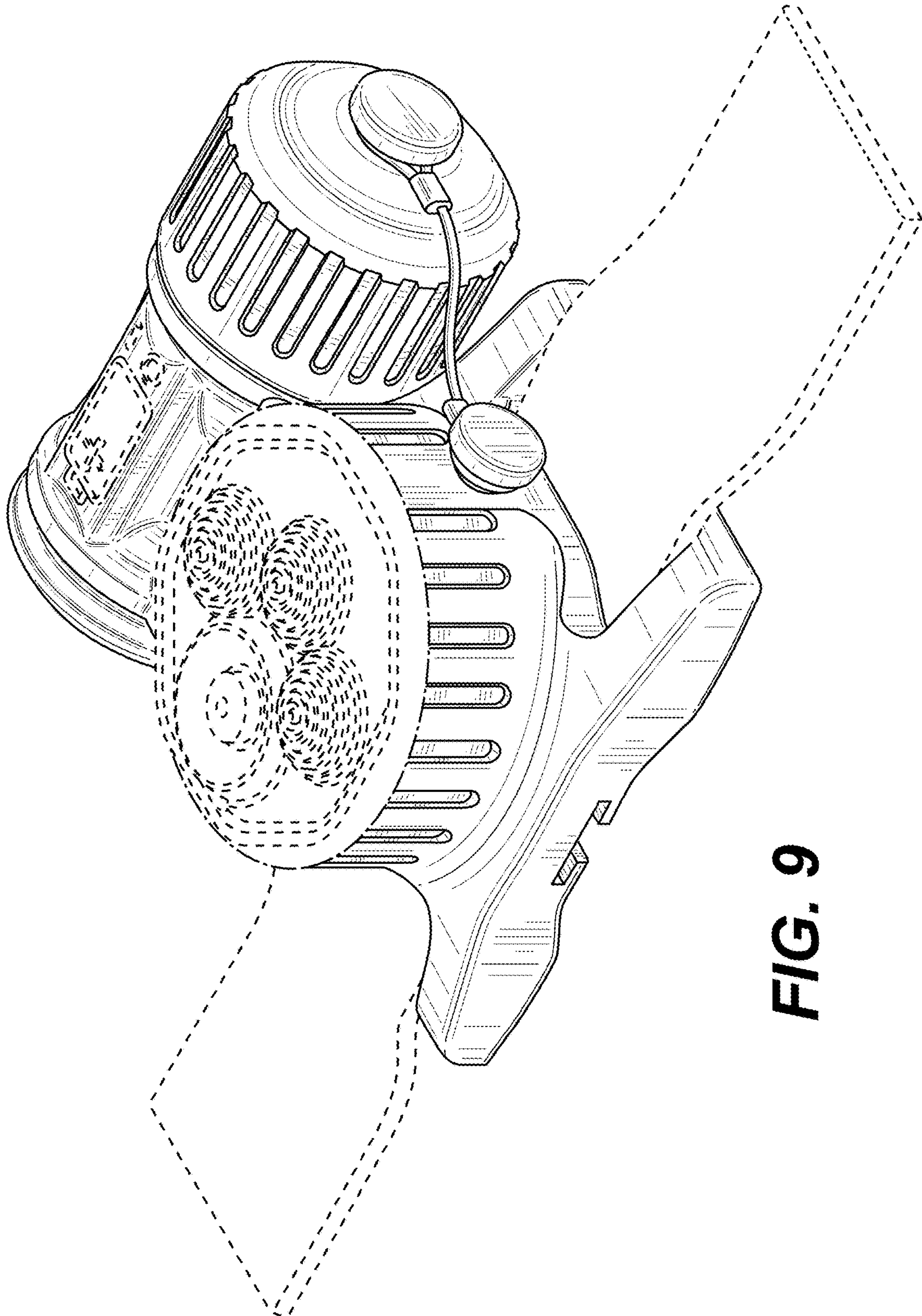


FIG. 9

UNITED STATES PATENT AND TRADEMARK OFFICE
CERTIFICATE OF CORRECTION

PATENT NO. : D793,596 S
APPLICATION NO. : 29/566982
DATED : August 1, 2017
INVENTOR(S) : Mark Haynes et al.

Page 1 of 1

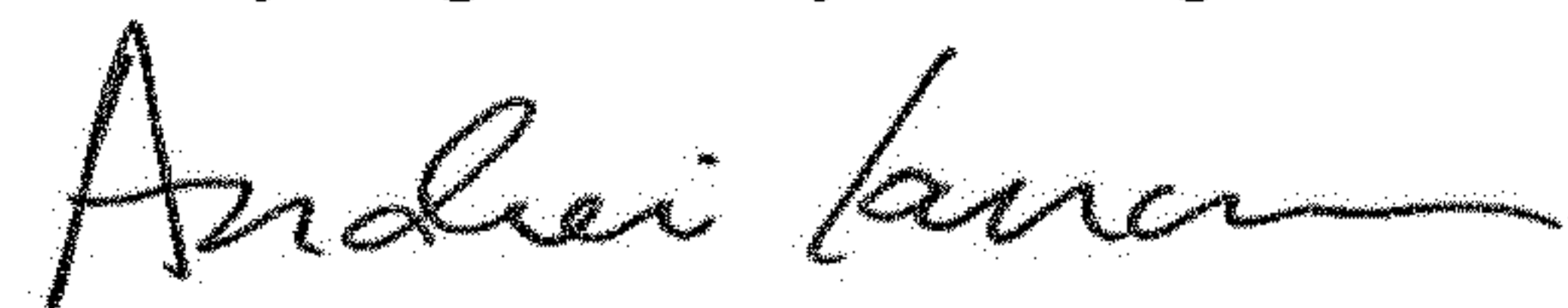
It is certified that error appears in the above-identified patent and that said Letters Patent is hereby corrected as shown below:

On the Title Page

Item (73), Assignee:
"CeJay Engineering, LLC FL (US)"

Should read:
-- Cejay Engineering, LLC FL (US) --.

Signed and Sealed this
Twenty-eighth Day of August, 2018



Andrei Iancu
Director of the United States Patent and Trademark Office