



US00D793593S

(12) **United States Design Patent** (10) **Patent No.:** **US D793,593 S**
Chen et al. (45) **Date of Patent:** **** Aug. 1, 2017**

(54) **HEAD LAMP**

(56) **References Cited**

(71) Applicant: **LUCIDITY ENTERPRISE CO., LTD.**, Tainan (TW)

U.S. PATENT DOCUMENTS

(72) Inventors: **Wei-Tso Chen**, Tainan (TW);
Chi-Hsuan Chou, Tainan (TW);
Kuo-Yang Yeh, Tainan (TW)

D601,727 S * 10/2009 Huang D26/28
D605,789 S * 12/2009 Ko D26/28
D626,670 S * 11/2010 Metzger D26/28
D657,081 S * 4/2012 Alisaukas D26/28
D670,839 S * 11/2012 Smarslik D26/28
D694,920 S * 12/2013 Jurgens D26/28

(73) Assignee: **LUCIDITY ENTERPRISE CO., LTD.**, Tainan (TW)

* cited by examiner

(**) Term: **15 Years**

Primary Examiner — Marcus Jackson

(21) Appl. No.: **29/570,275**

(57) **CLAIM**

The ornamental design for a head lamp, as shown and described.

(22) Filed: **Jul. 7, 2016**

DESCRIPTION

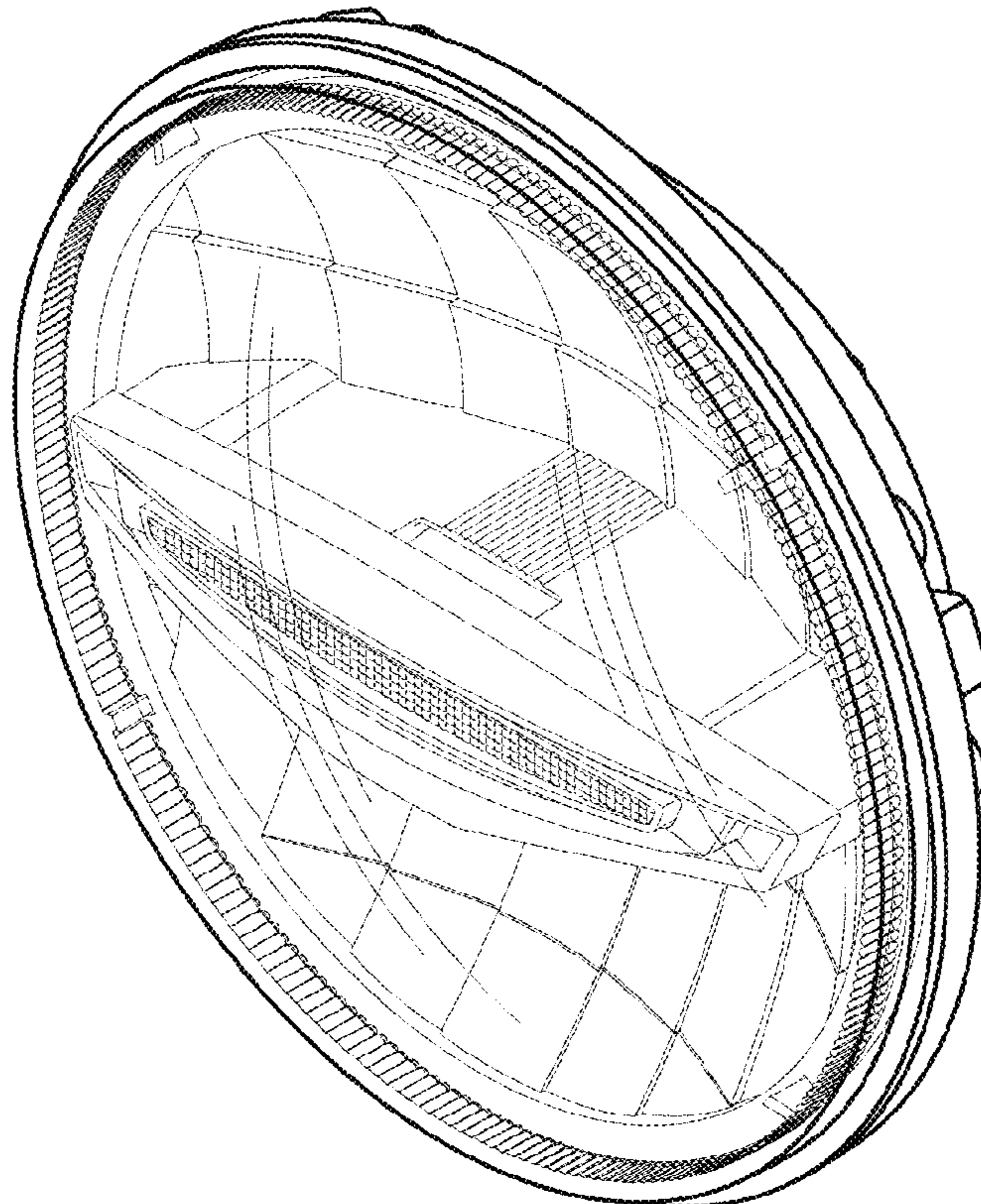
(51) **LOC (10) Cl.** **26-06**

(52) **U.S. Cl.**
USPC **D26/28**

(58) **Field of Classification Search**
USPC D26/28-36; 362/80-83, 267-269,
362/459-468, 475-478, 485-487
CPC F21S 48/00; F21S 48/10; F21S 48/115;
F21S 48/1233; F21S 48/1266; F21S
48/1388; F21S 48/2268; F21V 21/04;
B60Q 9/13; B60Q 9/135; B60Q 9/1375
See application file for complete search history.

FIG. 1 is a perspective view of a head lamp showing my design;
FIG. 2 is a front elevational view thereof;
FIG. 3 is a rear elevational view thereof;
FIG. 4 is a left side elevational view thereof;
FIG. 5 is a right side elevational view thereof;
FIG. 6 is a top plan view thereof; and,
FIG. 7 is a bottom plan view.

1 Claim, 7 Drawing Sheets



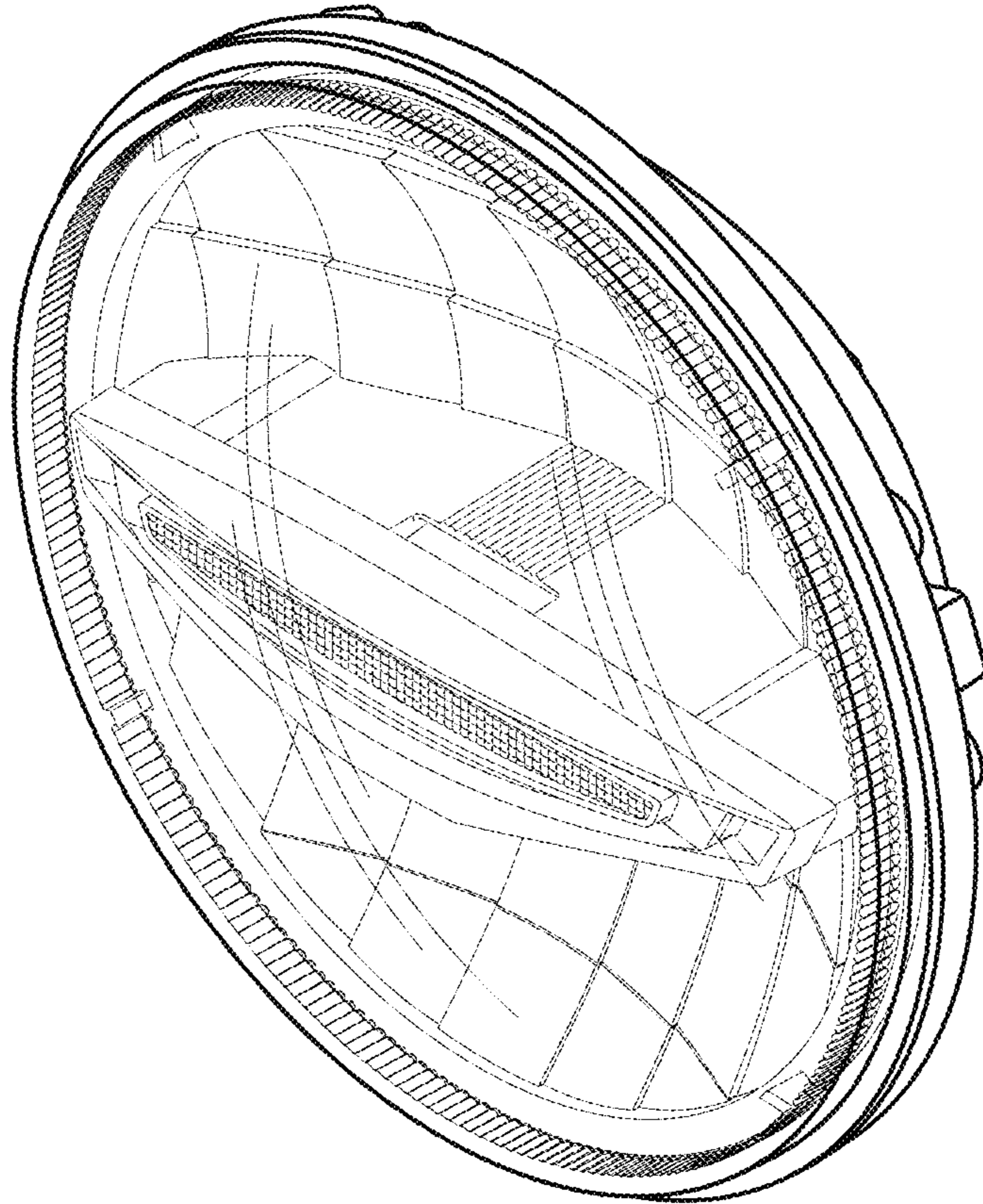


FIG. 1

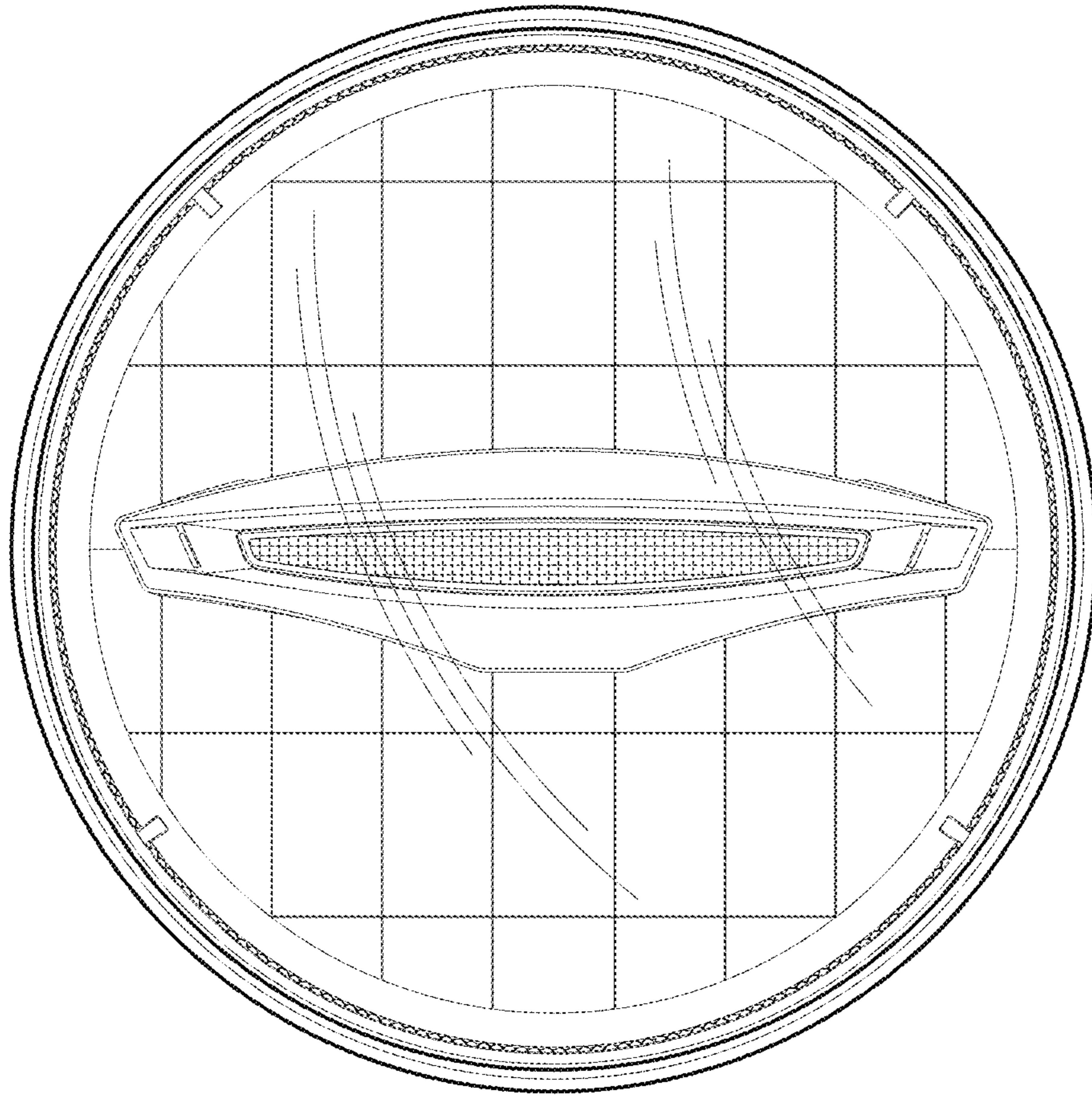


FIG.2

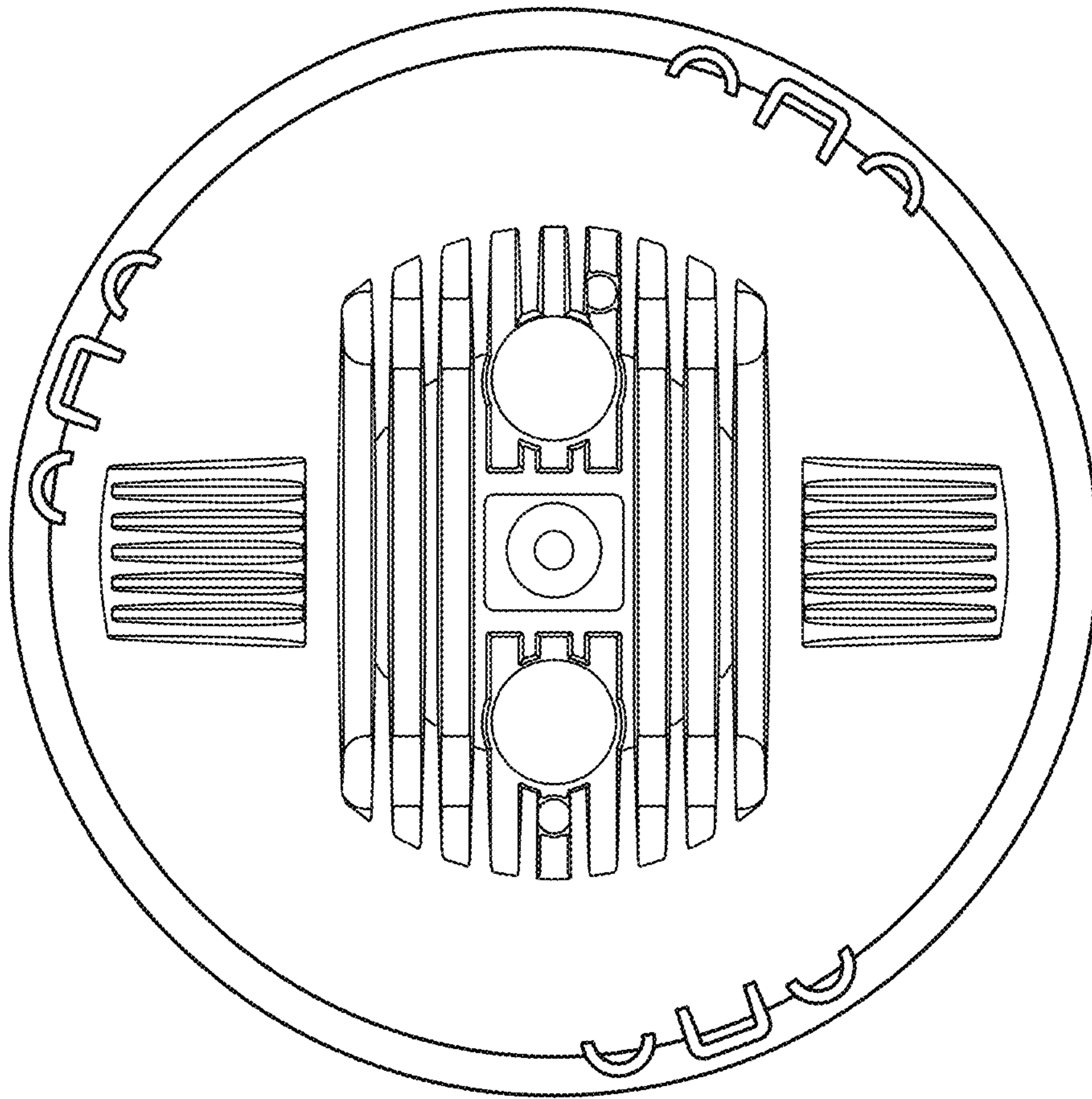


FIG. 3

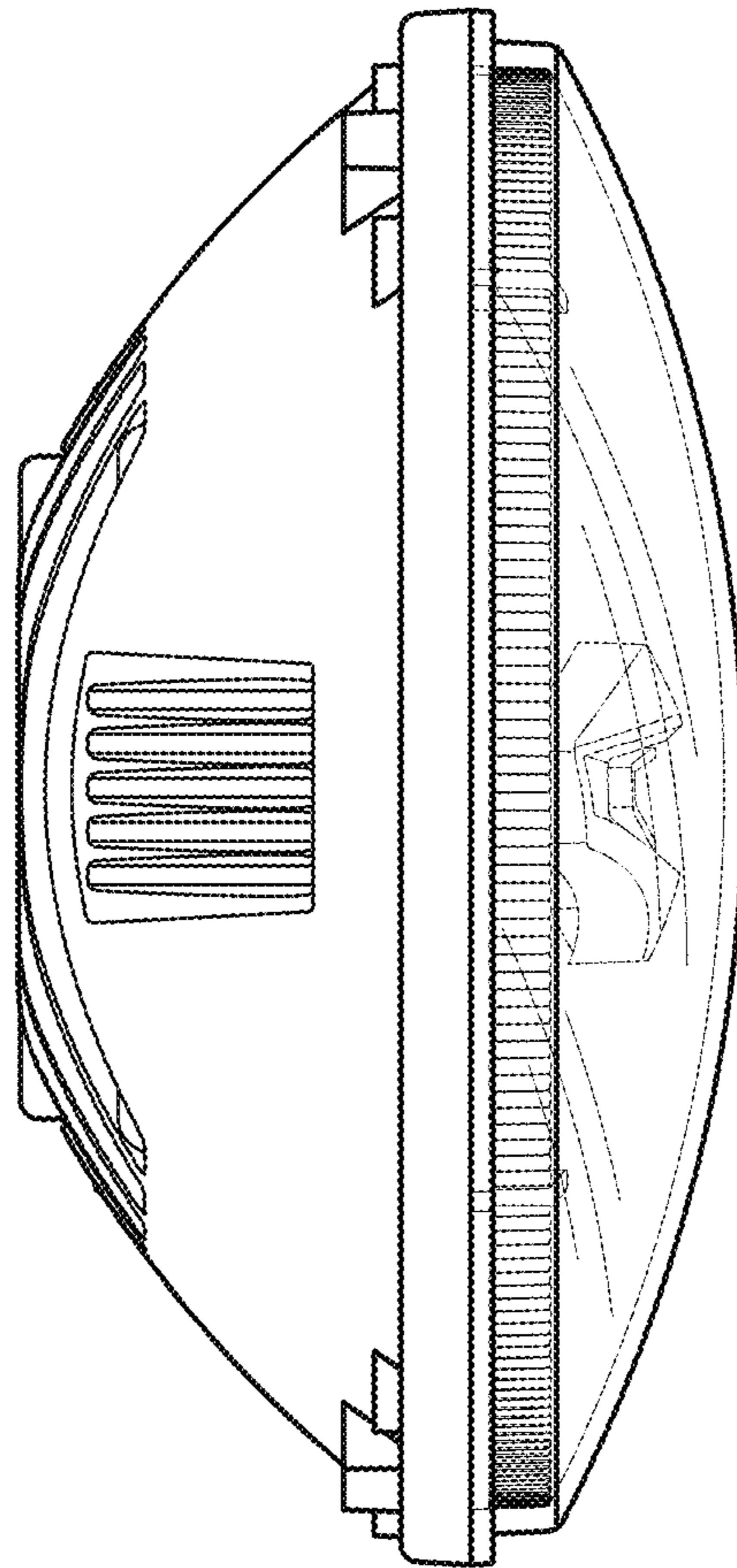


FIG.4

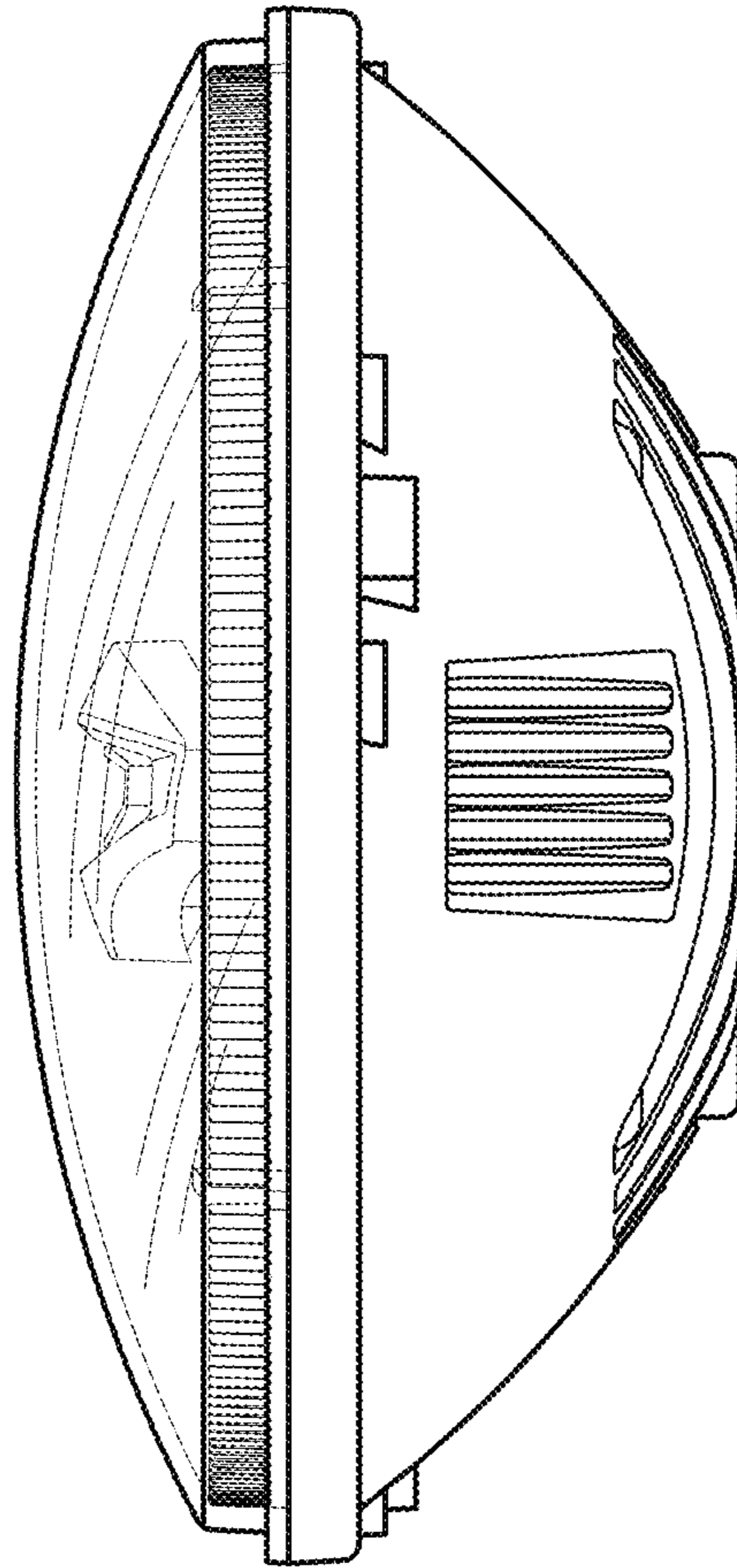


FIG.5

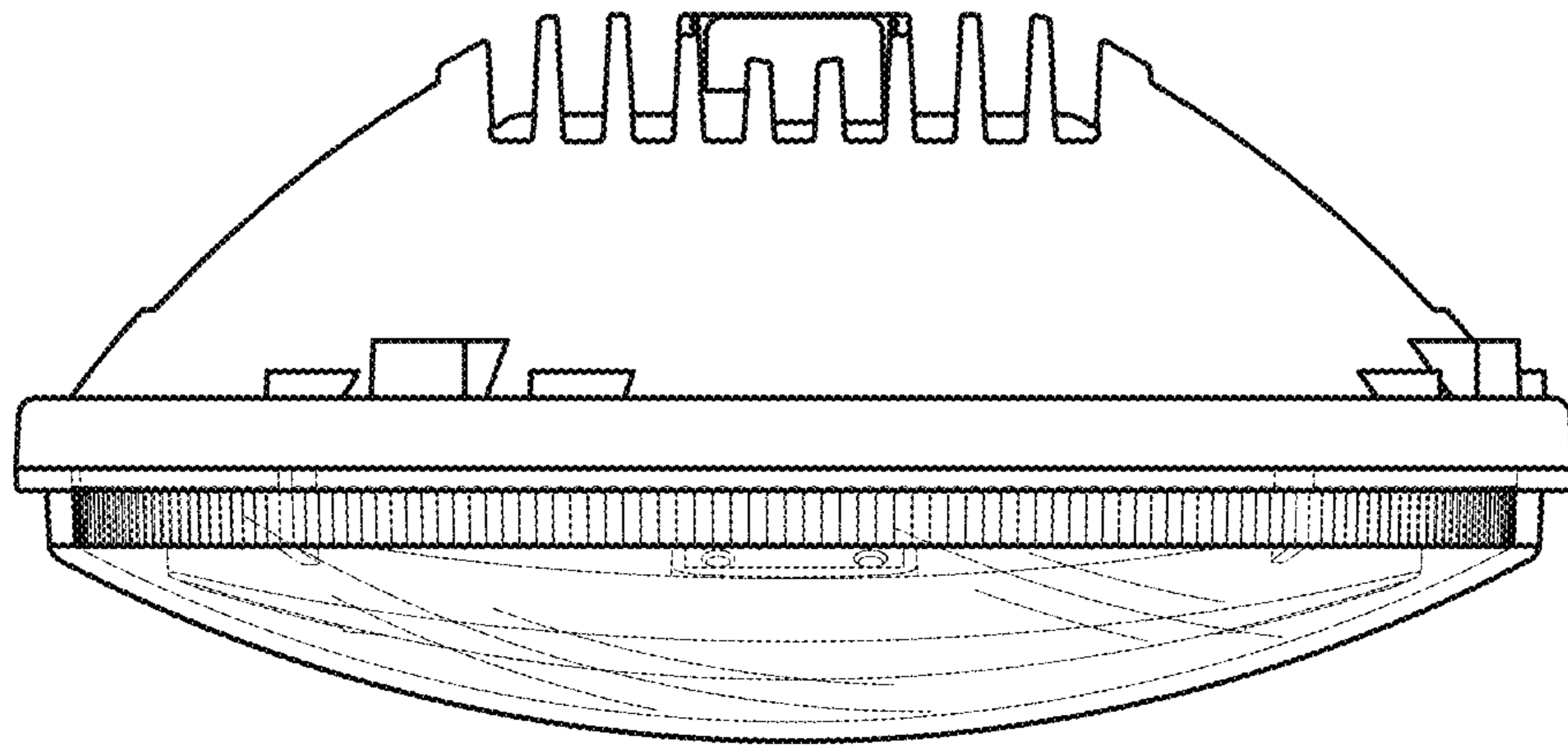


FIG.6

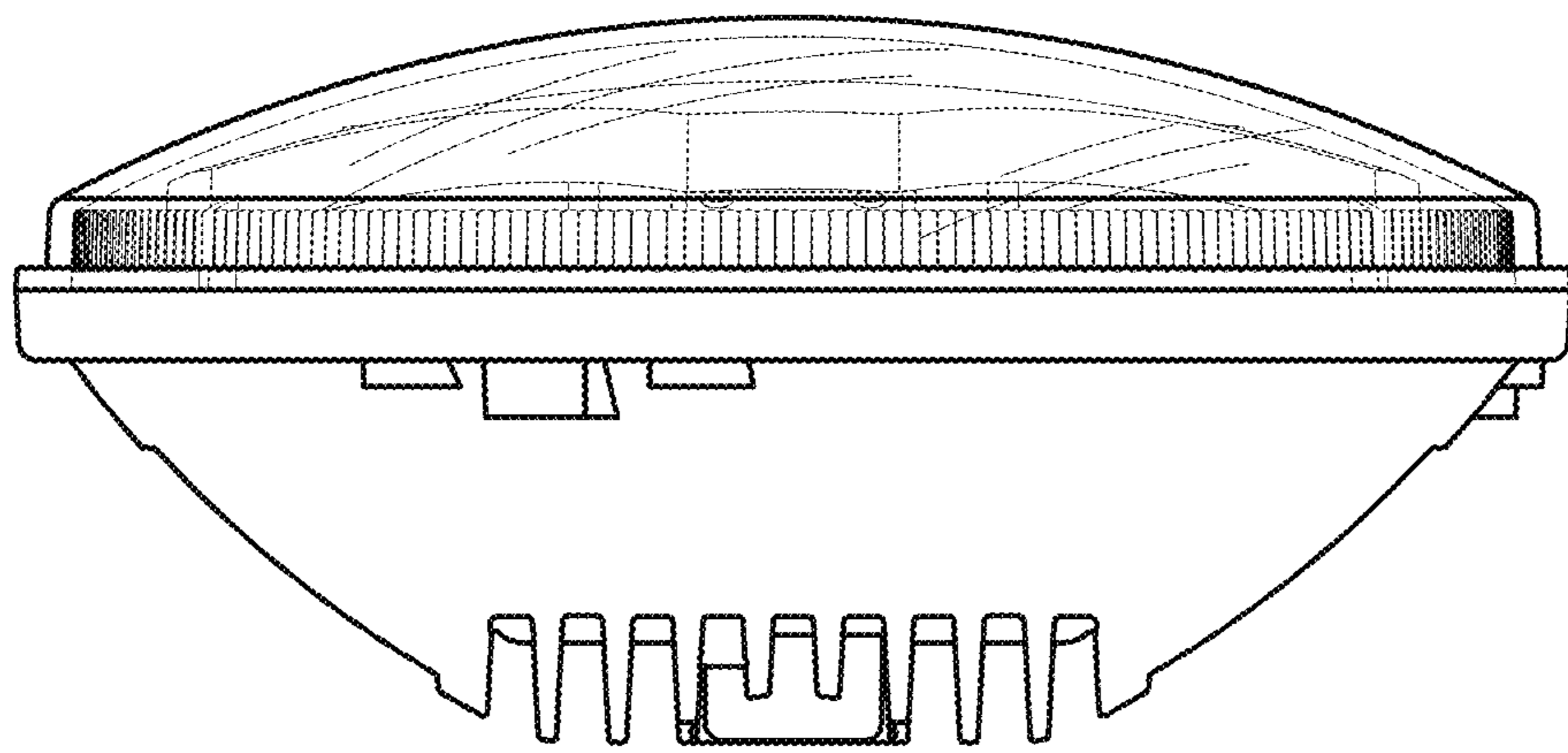


FIG.7