



US00D793592S

(12) **United States Design Patent** (10) **Patent No.:** **US D793,592 S**
Chen et al. (45) **Date of Patent:** **** Aug. 1, 2017**

(54) **HEAD LAMP**

(56) **References Cited**

(71) Applicants: **Wei-Tso Chen**, Tainan (TW);
Chi-Hsuan Chou, Tainan (TW);
Kuo-Yang Yeh, Tainan (TW)

U.S. PATENT DOCUMENTS

D556,349 S	*	11/2007	Golden	D26/28
D560,291 S	*	1/2008	Koyama	D26/28
D560,832 S	*	1/2008	Hsu	D26/28
D561,358 S	*	2/2008	Tachibana	D26/28
D563,576 S	*	3/2008	Hanaoka	D26/28

(72) Inventors: **Wei-Tso Chen**, Tainan (TW);
Chi-Hsuan Chou, Tainan (TW);
Kuo-Yang Yeh, Tainan (TW)

* cited by examiner

(73) Assignee: **LUCIDITY ENTERPRISE CO., LTD.**, Annan District, Tainan (TW)

Primary Examiner — Marcus Jackson

(**) Term: **15 Years**

(57) **CLAIM**

(21) Appl. No.: **29/570,274**

The ornamental design for a head lamp, as shown and described.

(22) Filed: **Jul. 7, 2016**

DESCRIPTION

(51) **LOC (10) Cl.** **26-06**

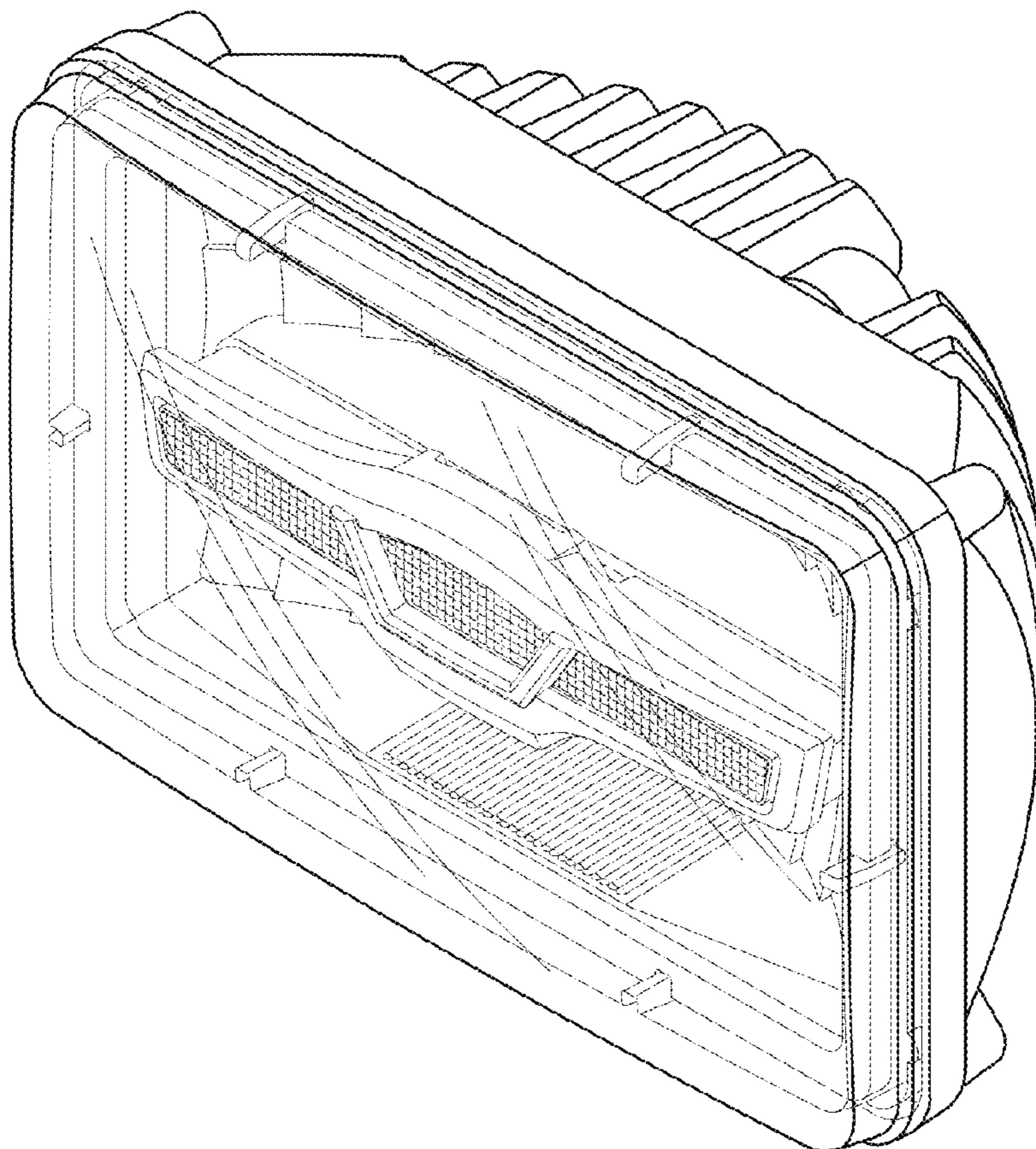
(52) **U.S. Cl.**
USPC **D26/28**

(58) **Field of Classification Search**
USPC D26/28-36; 362/80-83, 267-269,
362/459-468, 475-478, 485-487
CPC F21S 48/00; F21S 48/10; F21S 48/115;
F21S 48/1233; F21S 48/1266; F21S
48/1388; F21S 48/2268; F21V 21/04;
B60C 9/13; B60C 9/135; B60C 9/1375

FIG. 1 is a perspective view of a head lamp showing my design;
FIG. 2 is a front elevational view thereof;
FIG. 3 is a rear elevational view thereof;
FIG. 4 is a left side elevational view thereof;
FIG. 5 is a right side elevational view thereof;
FIG. 6 is a top plan view thereof; and,
FIG. 7 is a bottom plan view.

See application file for complete search history.

1 Claim, 7 Drawing Sheets



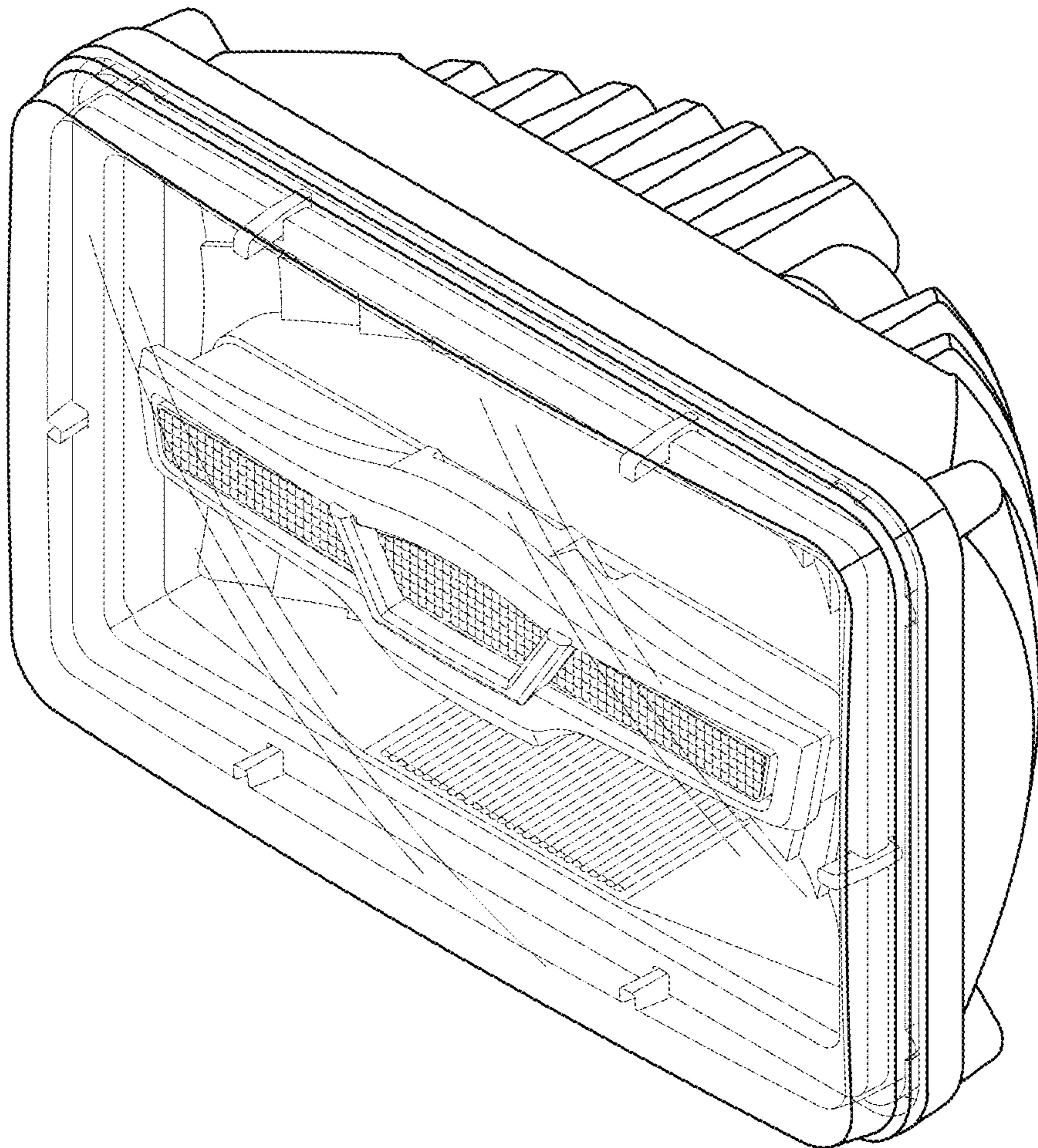


FIG. 1

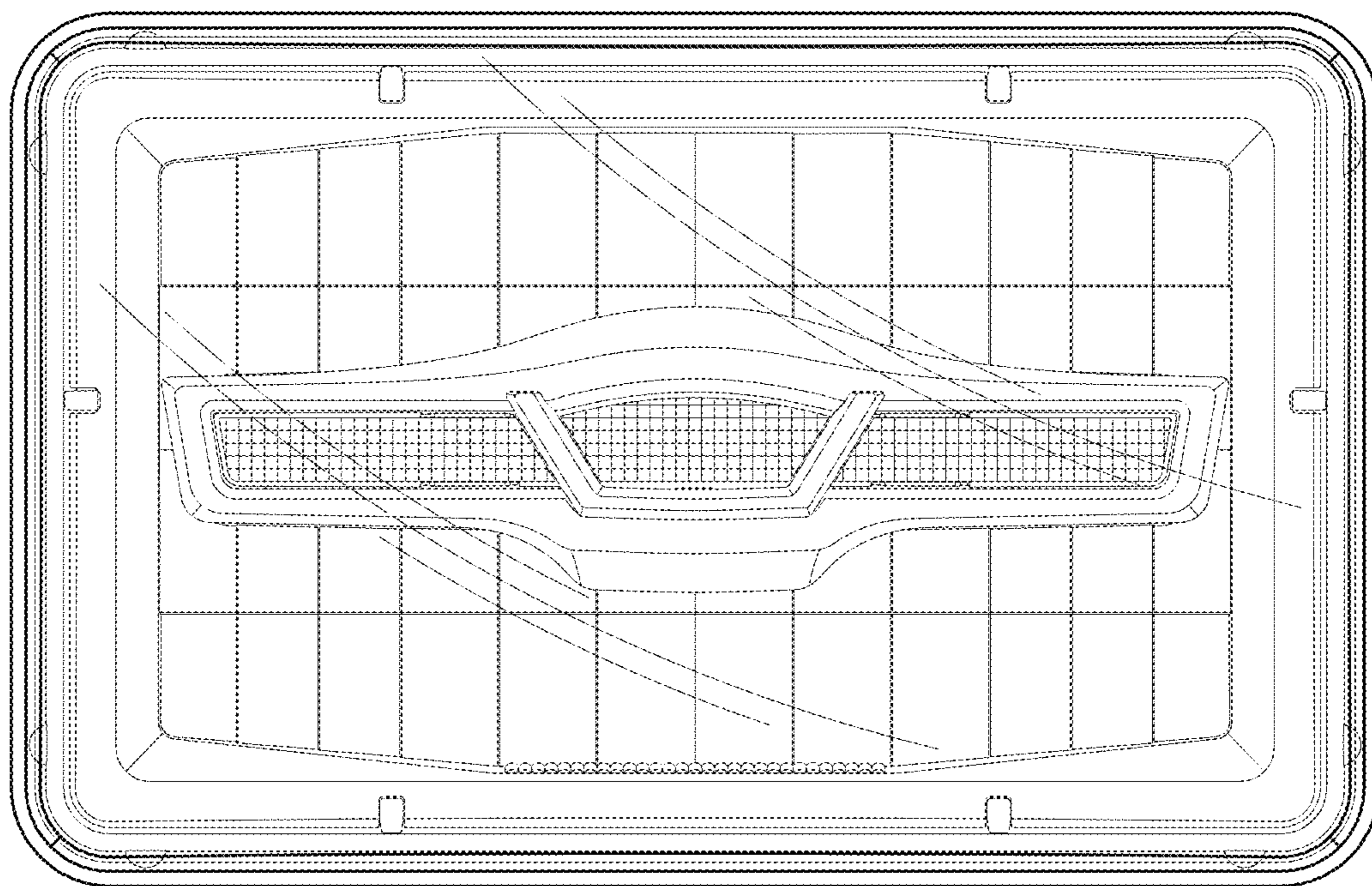


FIG.2

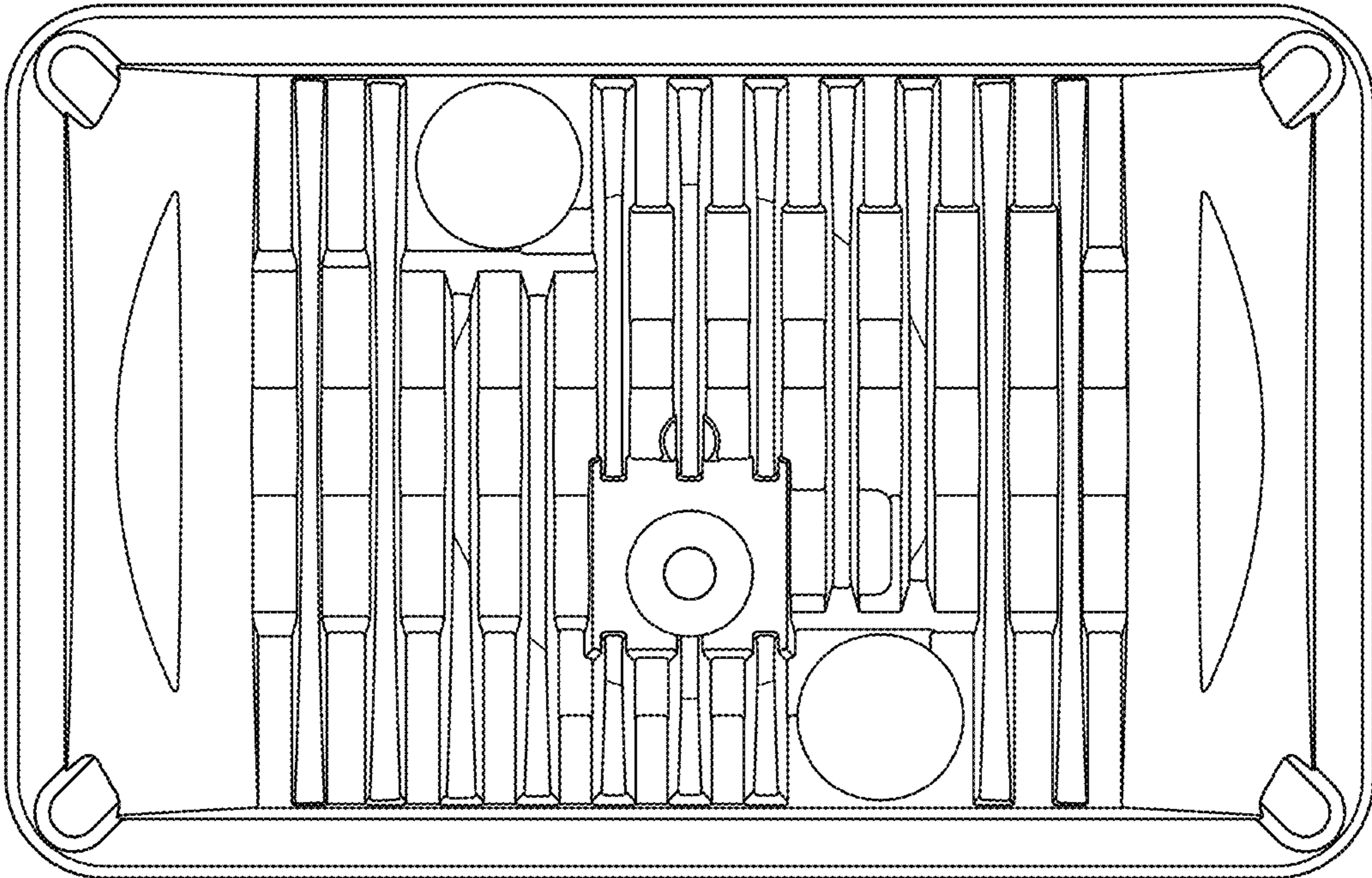


FIG.3

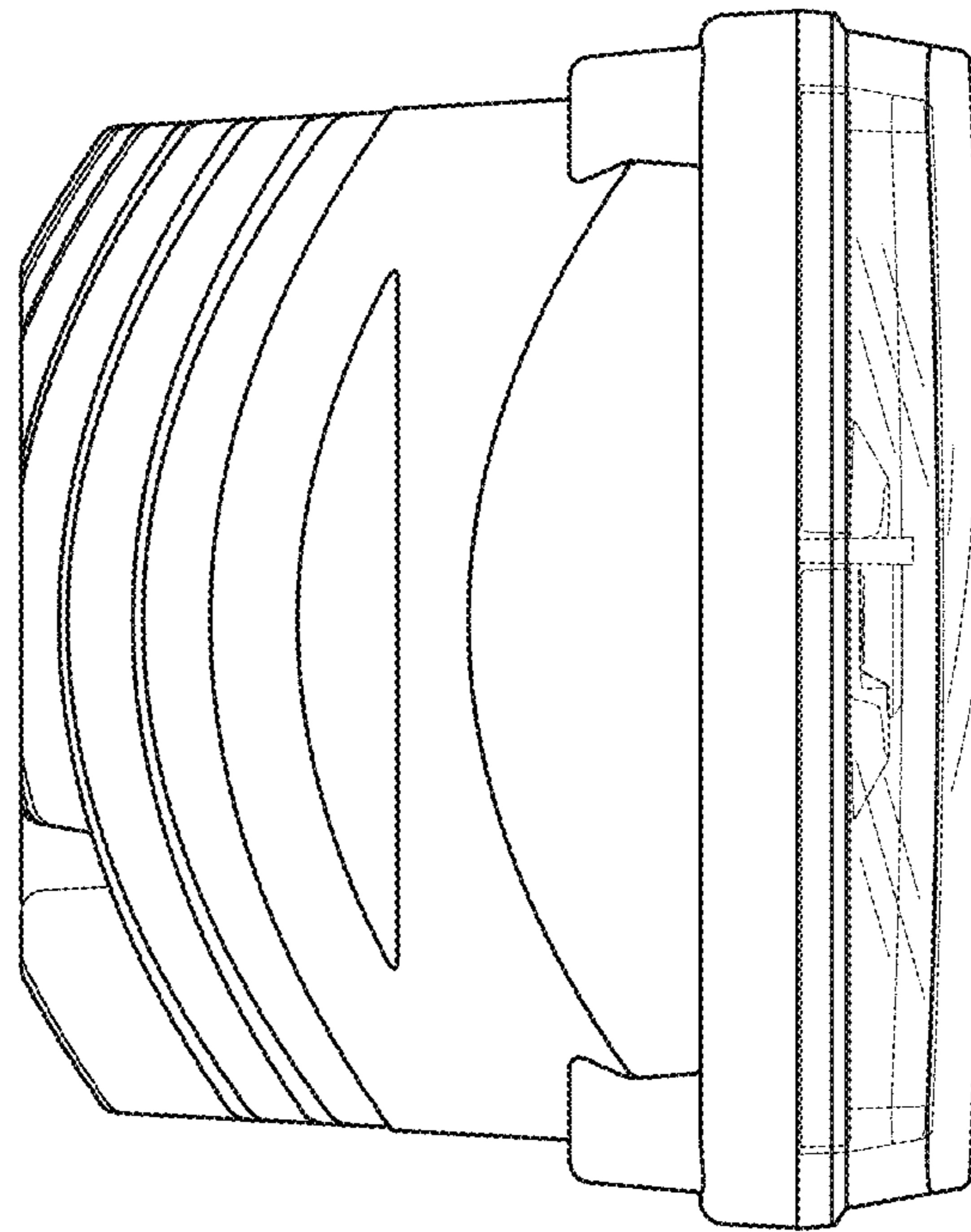


FIG.4

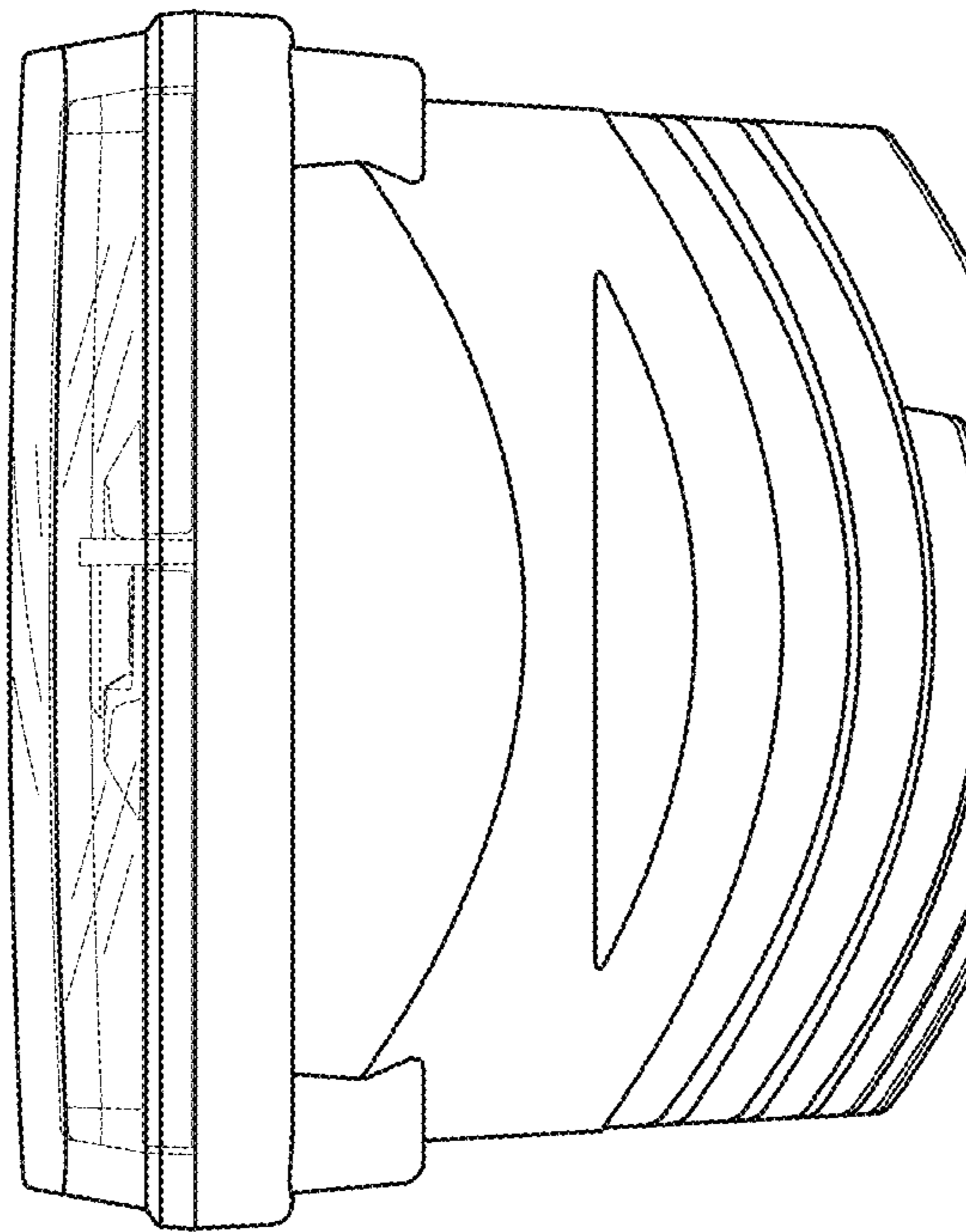


FIG. 5

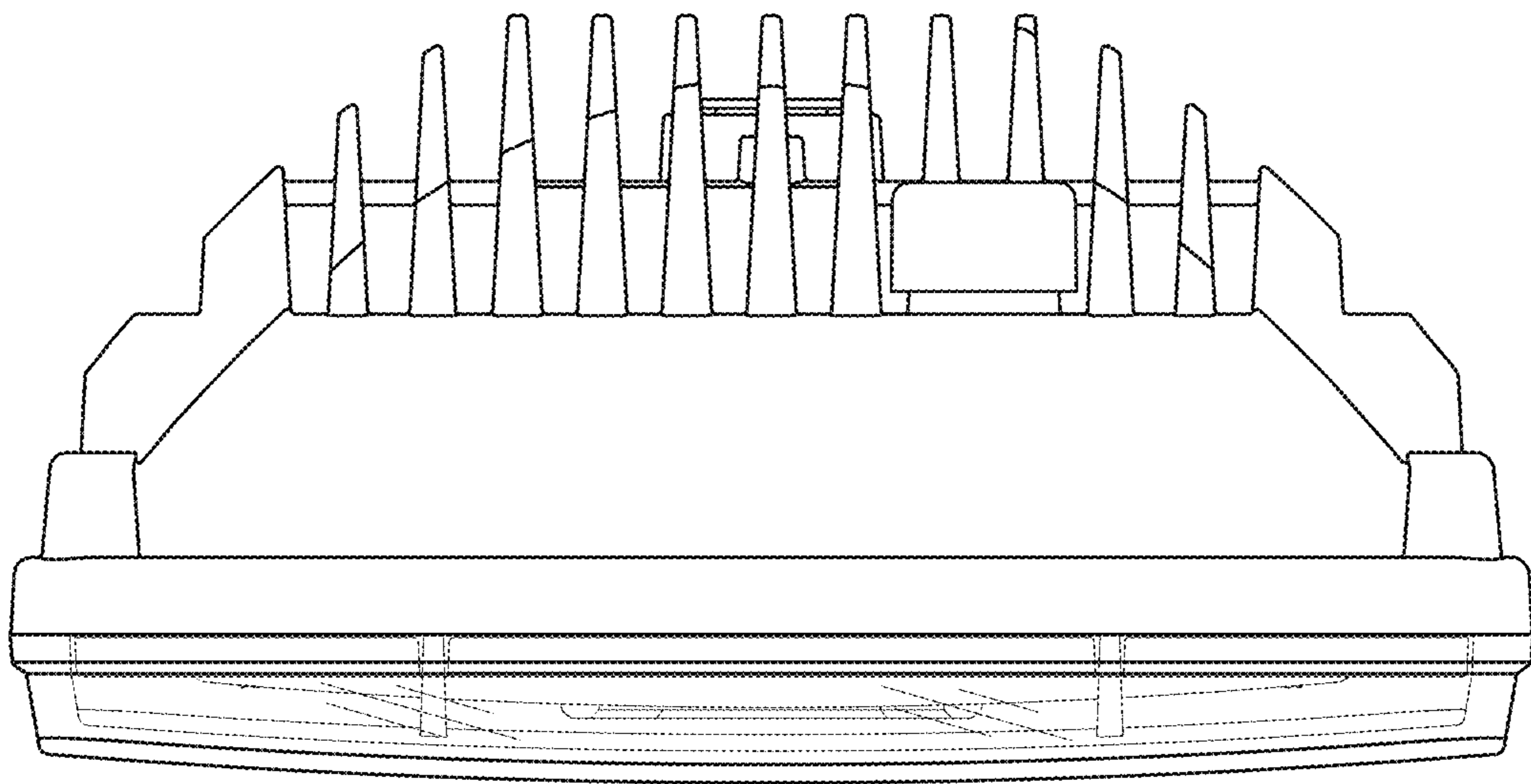


FIG.6

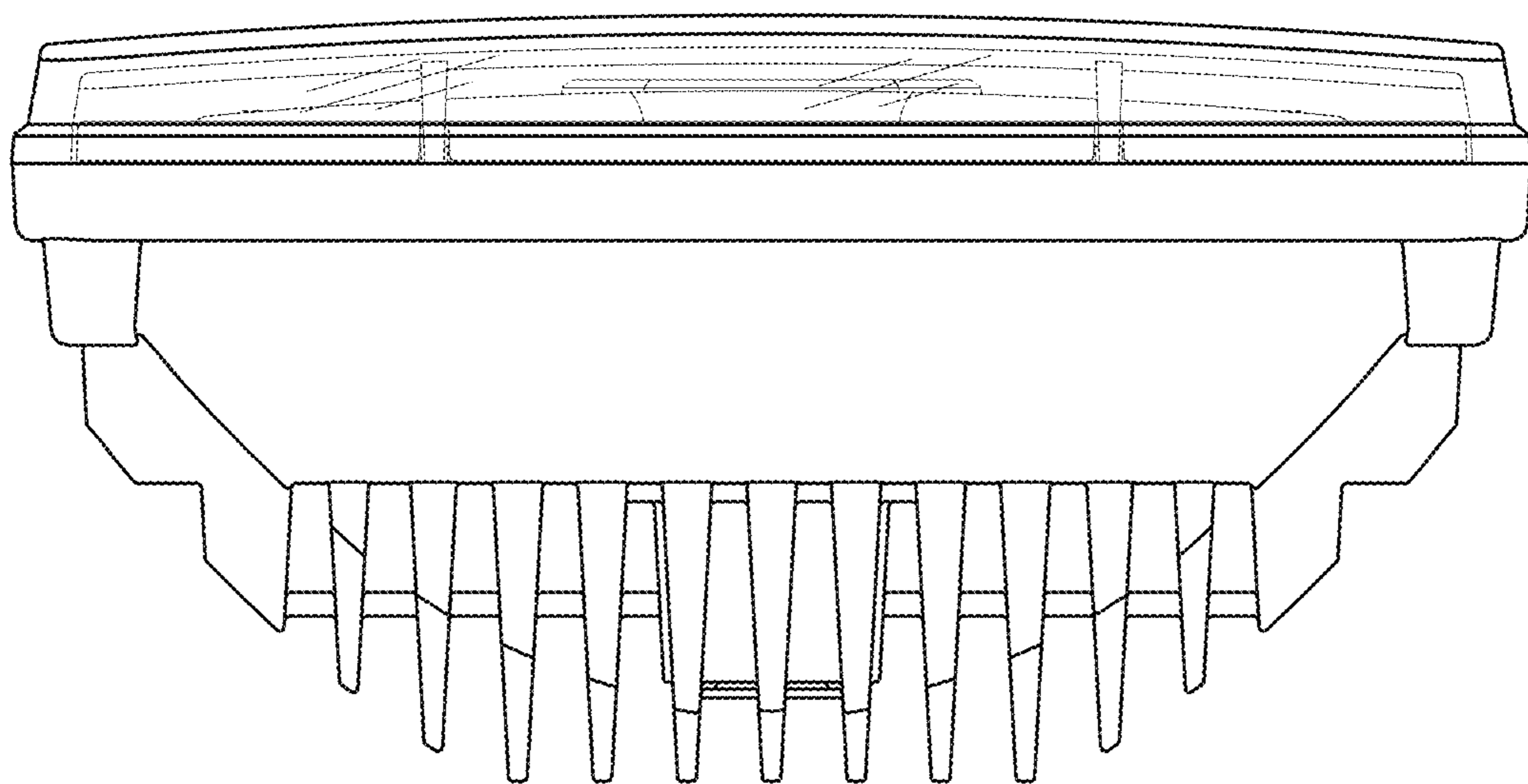


FIG.7