



US00D793591S

(12) **United States Design Patent** (10) **Patent No.:** **US D793,591 S**  
**Kozub et al.** (45) **Date of Patent:** **\*\* Aug. 1, 2017**

(54) **VEHICLE REAR TAILLAMP**  
(71) Applicant: **GM GLOBAL TECHNOLOGY OPERATIONS LLC**, Detroit, MI (US)  
(72) Inventors: **Timothy P. Kozub**, Troy, MI (US); **Stuart Cooper**, Bloomfield Hills, MI (US); **Jonghyuk Park**, Troy, MI (US)  
(73) Assignee: **GM Global Technology Operations LLC**, Detroit, MI (US)  
(\*\*) Term: **15 Years**  
(21) Appl. No.: **29/560,423**  
(22) Filed: **Apr. 6, 2016**  
(51) **LOC (10) Cl.** ..... **26-06**  
(52) **U.S. Cl.**  
USPC ..... **D26/28**  
(58) **Field of Classification Search**  
USPC ..... D26/28–36; 362/80–83, 267–269, 362/459–468, 475–478, 485–487  
CPC ..... F21S 48/00; F21S 48/10; F21S 48/115; F21S 48/1233; F21S 48/1266; F21S 48/1388; F21S 48/2268; F21V 21/04  
See application file for complete search history.

D605,977 S 12/2009 Zipfel et al.  
D605,978 S 12/2009 Wolff et al.  
D608,249 S 1/2010 Peters  
D608,690 S 1/2010 Folden et al.  
D608,691 S 1/2010 Zak, Jr. et al.  
D609,608 S 2/2010 Boniface et al.  
D611,387 S 3/2010 Thompson et al.  
D611,879 S 3/2010 Kim et al.  
D612,297 S 3/2010 Peters et al.  
D613,645 S 4/2010 Song et al.  
D615,458 S 5/2010 Thompson et al.  
D618,595 S 6/2010 Ware et al.  
D623,090 S 9/2010 Cox et al.  
D627,262 S 11/2010 Ikeda et al.  
D635,488 S 4/2011 Phipps  
D644,147 S 8/2011 Suh et al.  
D644,567 S 9/2011 Kozub  
D657,718 S 4/2012 Zipfel et al.  
D659,052 S 5/2012 Ware et al.  
D659,053 S 5/2012 Ware et al.  
D668,182 S 10/2012 Barba Franco et al.  
D668,183 S 10/2012 Smart  
D678,820 S 3/2013 Song et al.  
D678,821 S 3/2013 Ikeda et al.  
D680,909 S 4/2013 Munson et al.  
D680,910 S 4/2013 David

(Continued)

*Primary Examiner* — Marcus Jackson  
(74) *Attorney, Agent, or Firm* — Reising Ethington P.C.

(57) **CLAIM**

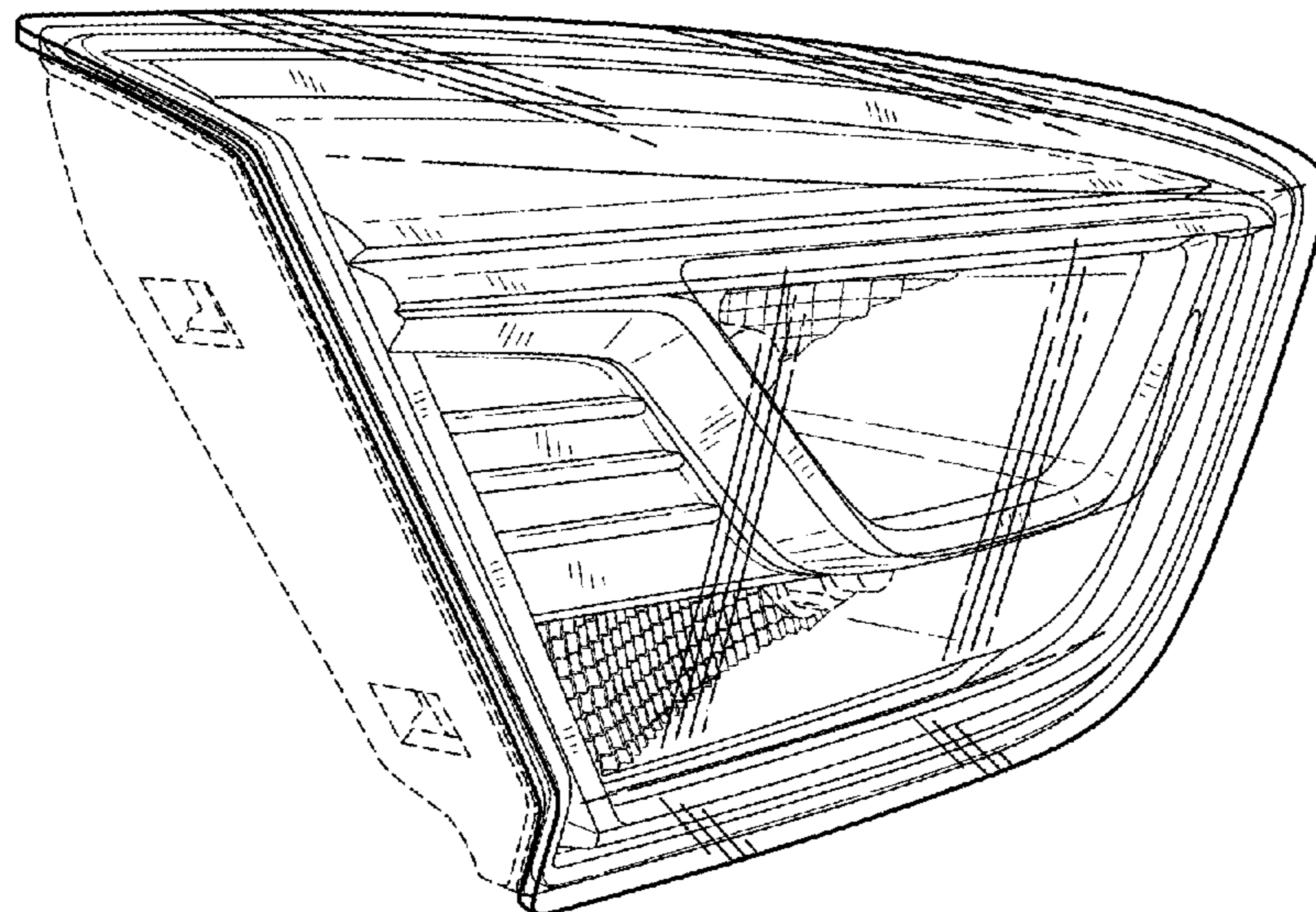
The ornamental design for a vehicle rear taillamp, as shown and described.

**DESCRIPTION**

FIG. 1 is a perspective view of the vehicle rear taillamp; FIG. 2 is a front view thereof; FIG. 3 is a side view thereof; and, FIG. 4 is a top view thereof. In the drawings, the portions shown by broken lines form no part of the claimed design.

**1 Claim, 2 Drawing Sheets**

(56) **References Cited**  
U.S. PATENT DOCUMENTS  
D409,772 S \* 5/1999 Bangle ..... D26/28  
D570,742 S 6/2008 Takagi et al.  
D592,105 S 5/2009 Dean et al.  
D597,447 S 8/2009 Folden  
D600,595 S 9/2009 Nakamura et al.  
D601,925 S 10/2009 O'Donnell  
D603,755 S 11/2009 Peters  
D604,203 S 11/2009 O'Donnell  
D605,082 S 12/2009 Munson  
D605,083 S 12/2009 Manoogian, II et al.



(56)

References Cited

U.S. PATENT DOCUMENTS

D684,899 S	6/2013	Baker	D735,611 S	8/2015	Aengenheyster
D686,536 S	7/2013	McCabe et al.	D735,627 S	8/2015	Smith
D692,798 S	11/2013	Thurber	D736,451 S	8/2015	Smith
D692,799 S	11/2013	Smith et al.	D739,306 S	9/2015	McMahan et al.
D696,157 S	12/2013	Loeb	D739,317 S	9/2015	McMahan et al.
D699,629 S	2/2014	Ikeda et al.	D741,223 S	10/2015	Kim et al.
D700,871 S	3/2014	O'Donnell et al.	D743,309 S	11/2015	Thole et al.
D703,103 S	4/2014	Lee	D743,313 S	11/2015	Smith et al.
D704,103 S	5/2014	Mack et al.	D743,314 S	11/2015	Thole et al.
D705,132 S	5/2014	Ware et al.	D743,857 S	11/2015	McMahan et al.
D705,699 S	5/2014	Ware et al.	D744,158 S	11/2015	Willett et al.
D713,298 S	9/2014	Dyson	D745,086 S	12/2015	Finos et al.
D713,764 S	9/2014	Ferlazzo et al.	D745,719 S	12/2015	Boniface et al.
D714,985 S *	10/2014	Moon ..... D26/28	D745,725 S	12/2015	McMahan et al.
D716,696 S	11/2014	Thole et al.	D745,726 S	12/2015	McMahan et al.
D716,706 S	11/2014	Thole et al.	D745,837 S	12/2015	Smith et al.
D716,709 S	11/2014	Thole et al.	D746,726 S	1/2016	Smith et al.
D717,696 S	11/2014	Thole et al.	D746,727 S	1/2016	Smith et al.
D718,189 S	11/2014	Krieg et al.	D746,728 S	1/2016	Smith et al.
D718,683 S	12/2014	Thole et al.	D746,729 S	1/2016	Boniface et al.
D722,282 S	2/2015	Loeb	D746,730 S	1/2016	Kim et al.
D722,533 S	2/2015	Thole et al.	D746,730 S	1/2016	Kim et al.
D722,534 S	2/2015	Munson et al.	D747,514 S	1/2016	McMahan et al.
D724,510 S	3/2015	McMahan et al.	D747,515 S	1/2016	McMahan et al.
D725,001 S	3/2015	McMahan et al.	D747,819 S	1/2016	Thole et al.
D726,591 S	4/2015	Jacob	D747,819 S	1/2016	Thole et al.
D730,776 S	6/2015	Smart	D749,021 S	2/2016	Boniface et al.
D730,783 S	6/2015	Henriques et al.	D749,026 S	2/2016	Smith et al.
D732,427 S	6/2015	Loeb	D749,027 S	2/2016	McMahan et al.
D732,429 S	6/2015	Loeb	D749,246 S	2/2016	Thole et al.
D732,430 S	6/2015	Loeb	D749,247 S *	2/2016	Han ..... D26/28
D732,431 S	6/2015	Loeb	D749,249 S	2/2016	Thole et al.
D732,432 S	6/2015	Aengenheyster	D749,250 S	2/2016	Thole et al.
D732,433 S	6/2015	Aengenheyster	D749,985 S	2/2016	Kozub et al.
D732,435 S	6/2015	Mackay	D749,997 S	2/2016	McMahan et al.
D733,002 S	6/2015	Loeb	D750,001 S	2/2016	Thole et al.
			D753,032 S	4/2016	Smith et al.
			D753,033 S	4/2016	Thole et al.
			D753,034 S	4/2016	Thole et al.
			D753,035 S	4/2016	Boniface et al.

\* cited by examiner

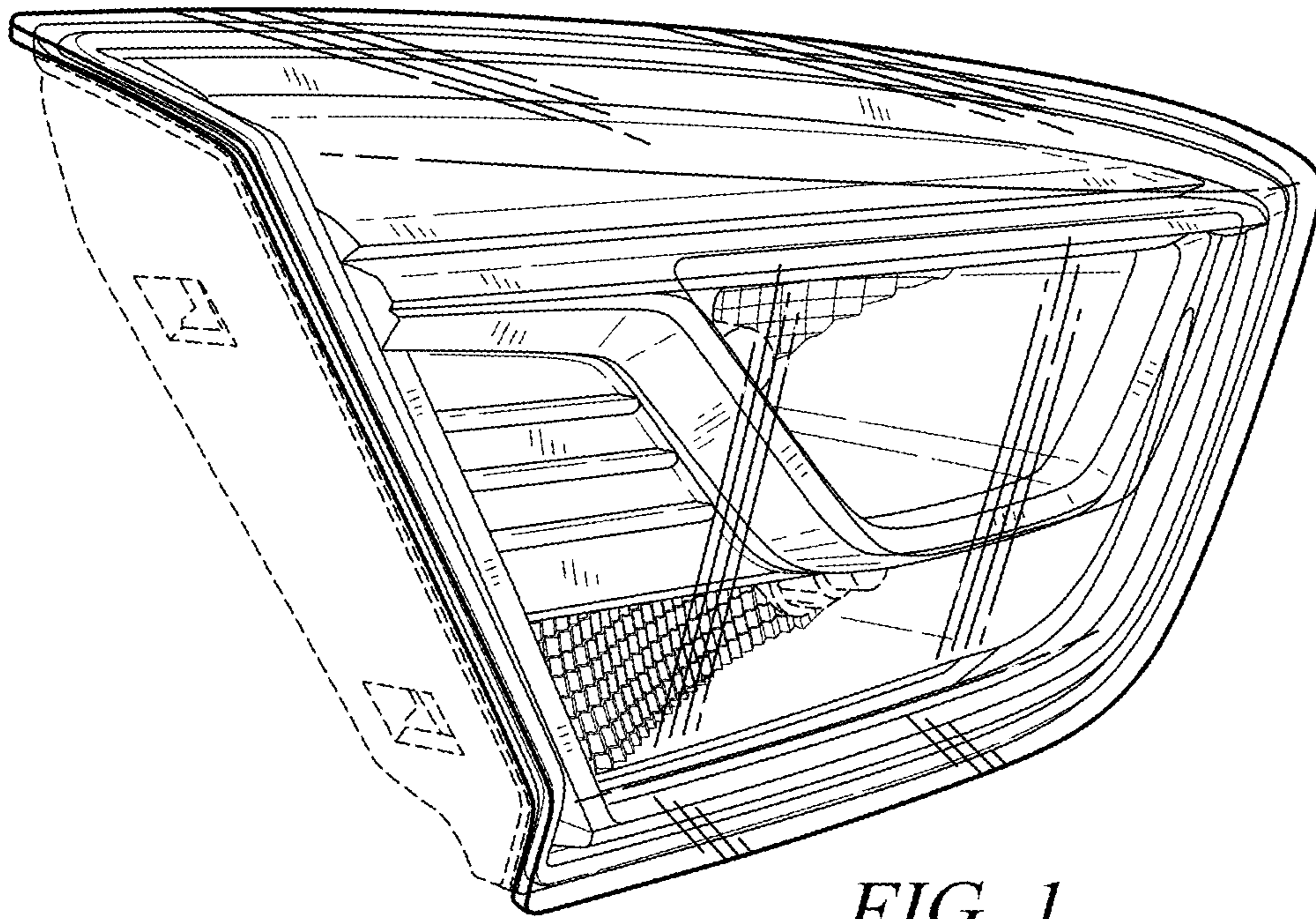


FIG. 1

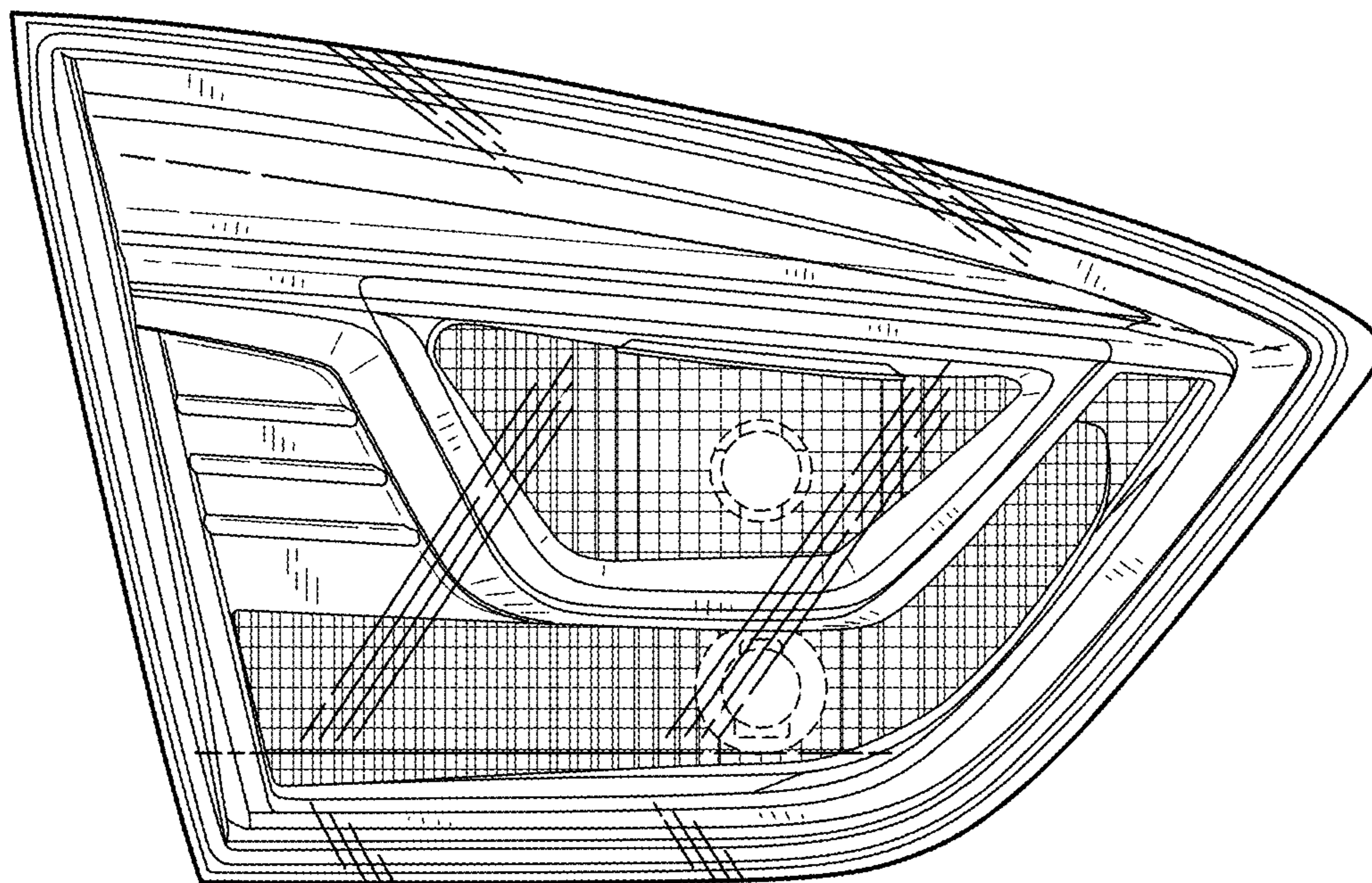


FIG. 2

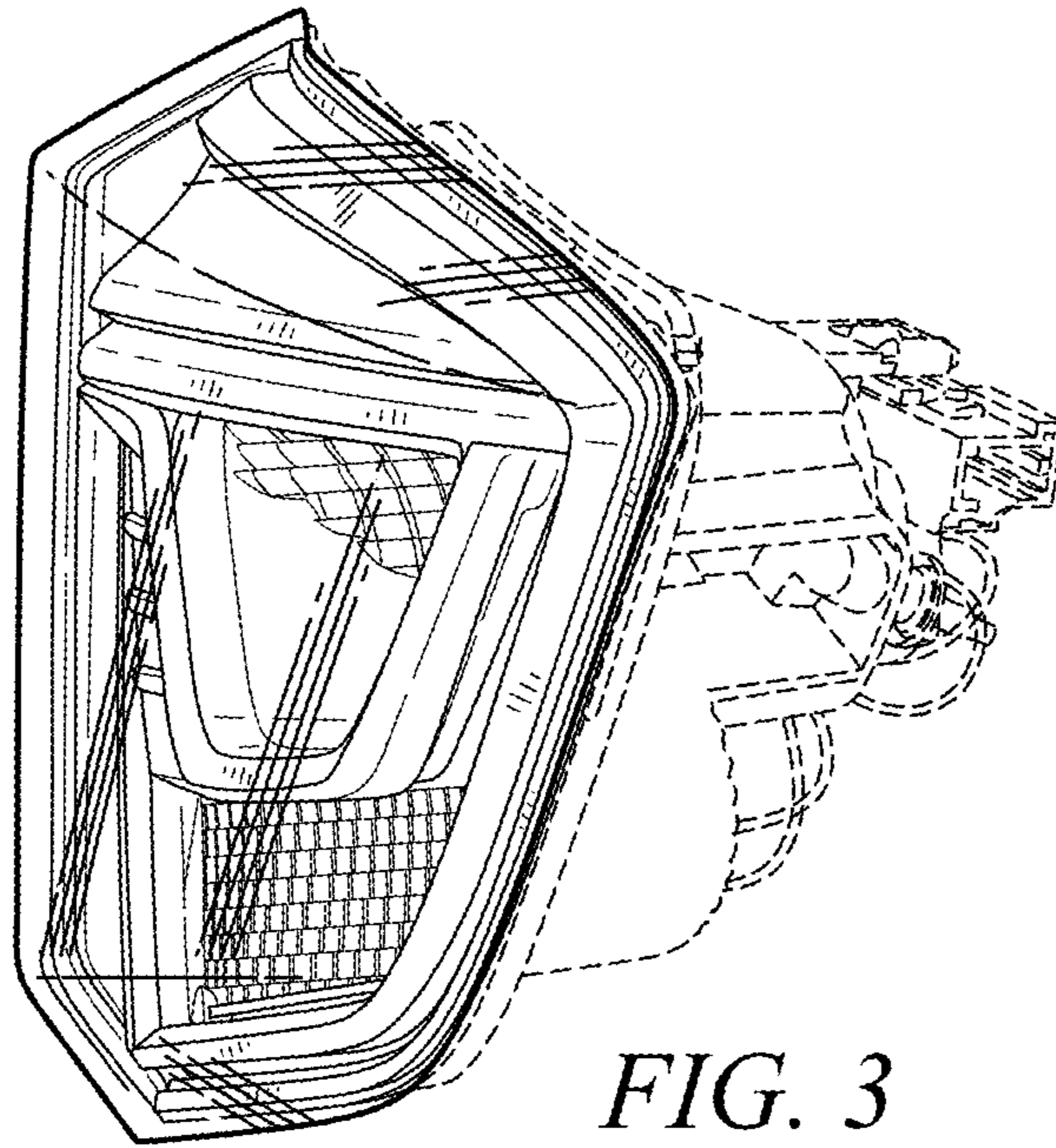


FIG. 3

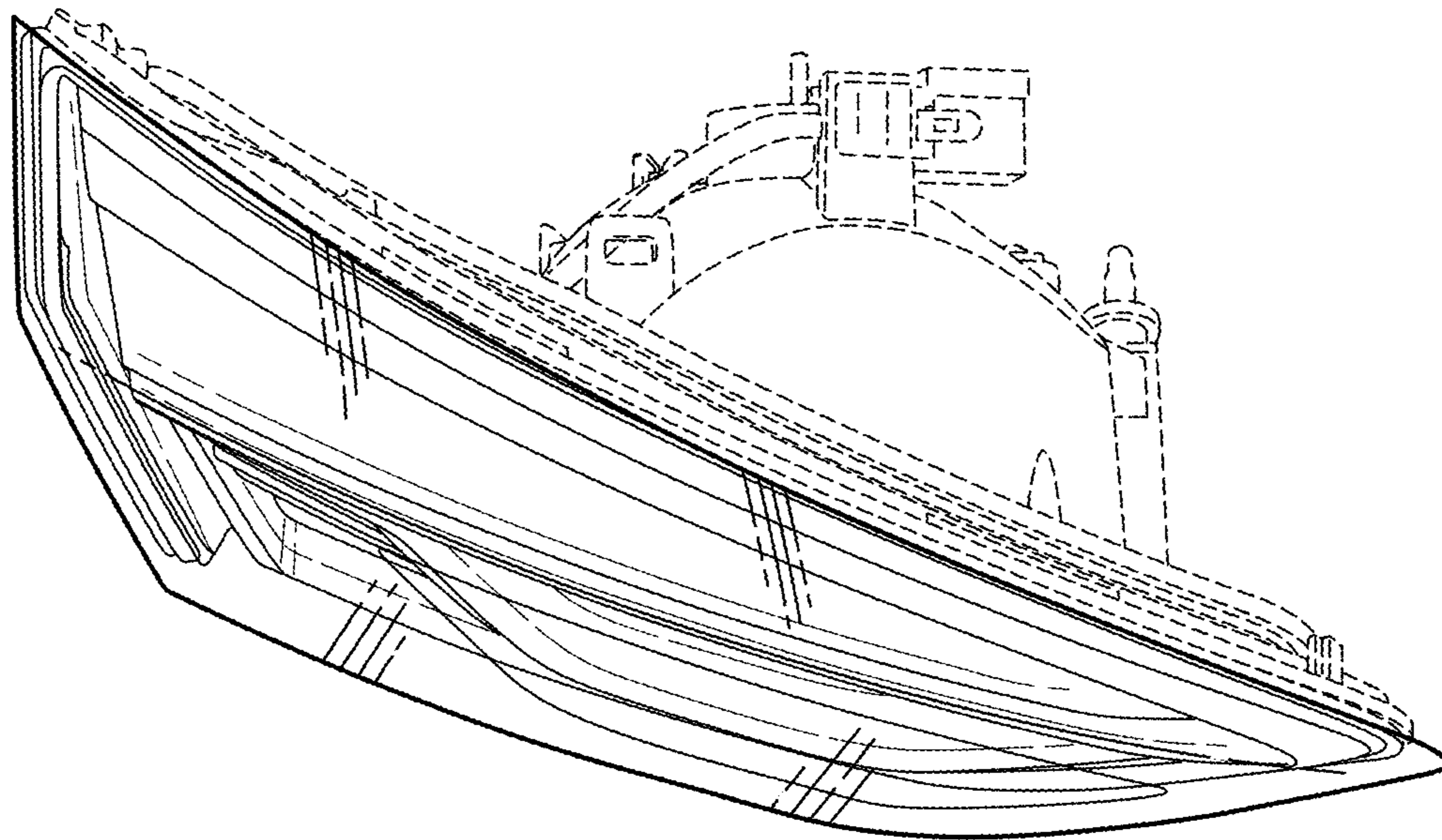


FIG. 4