



US00D793589S

(12) **United States Design Patent**
Deyaf et al.

(10) **Patent No.:** **US D793,589 S**
(45) **Date of Patent:** **** Aug. 1, 2017**

(54) **SURFACE MOUNT LIGHT**
(71) Applicant: **SpeedTech Lights Inc.**, Buda, TX (US)
(72) Inventors: **Malik Deyaf**, Buda, TX (US); **Mostafa Abdallah**, Buda, TX (US)
(73) Assignee: **SpeedTech Lights, Inc.**, Buda, TX (US)
(**) Term: **15 Years**

D578,678 S * 10/2008 Huang D26/28
D693,035 S * 11/2013 Datz D26/28
D711,565 S * 8/2014 Tsai D26/28
D715,976 S * 10/2014 Chou D26/28
9,062,845 B1 * 6/2015 Tsai F21S 48/2212
9,151,461 B1 * 10/2015 Kuo F21S 48/2212
D745,713 S * 12/2015 Hansen D26/28
2002/0024822 A1 * 2/2002 Pond B60Q 1/2607
362/555
2008/0112157 A1 * 5/2008 Boothe F21S 8/00
362/101
2016/0238211 A1 * 8/2016 Herbin F21S 48/211
2017/0036591 A1 * 2/2017 Chen B60Q 1/0052

(21) Appl. No.: **29/551,353**
(22) Filed: **Jan. 13, 2016**
(51) **LOC (10) Cl.** **26-06**
(52) **U.S. Cl.**
USPC **D26/28**
(58) **Field of Classification Search**
USPC D26/28, 30, 89, 120; D10/111, 114.1,
D10/114.3
CPC .. F21S 48/2206; F21S 48/2212; F21S 48/215;
F21S 48/218; F21S 48/20; F21S 48/22;
F21S 48/2281; F21V 5/00; B60Q 1/04;
B60Q 1/26; B60Q 1/32; B60Q 1/2615;
B60Q 1/2607
See application file for complete search history.

* cited by examiner

Primary Examiner — Clare E Heflin

(57) **CLAIM**

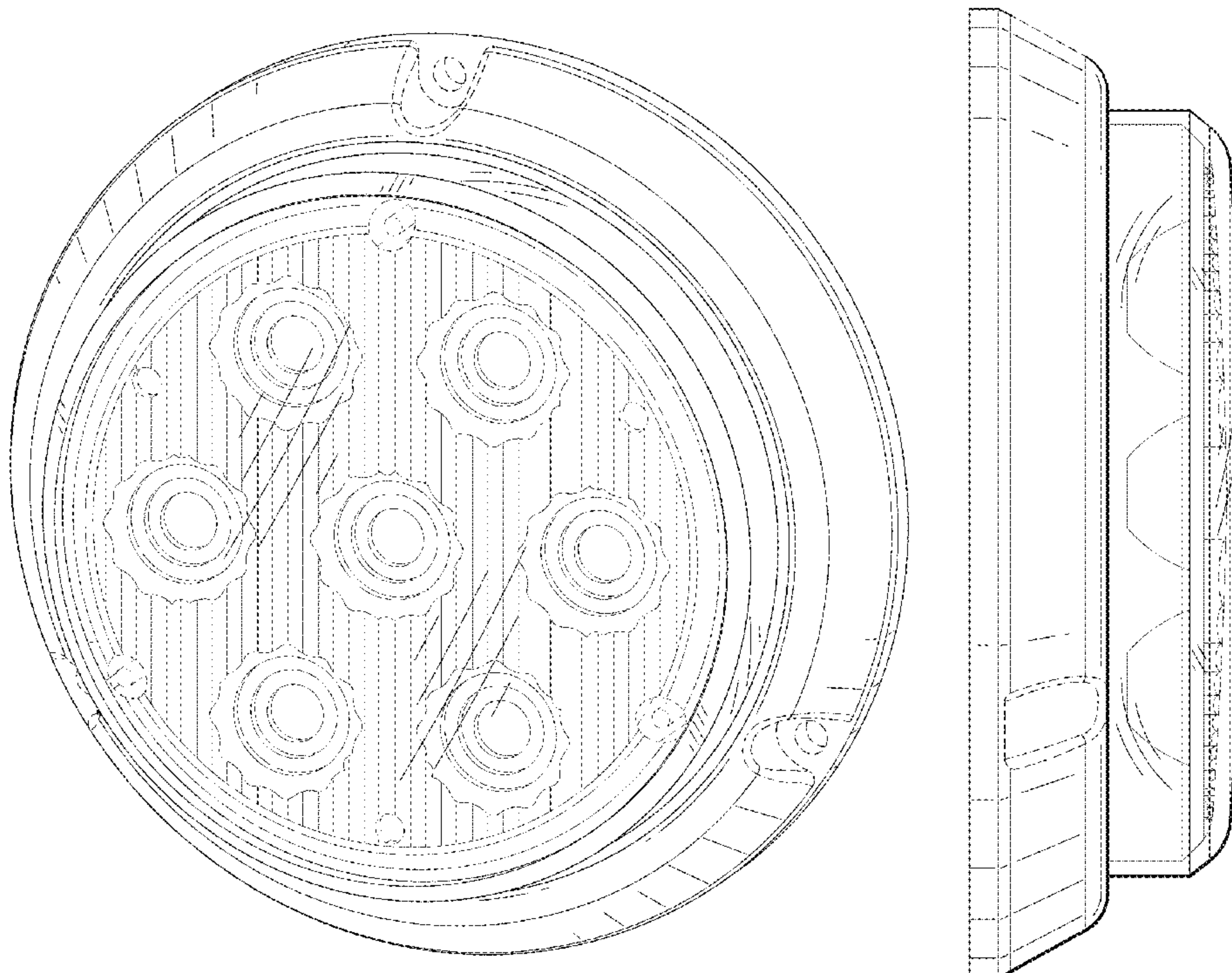
The ornamental design for a surface mount light, as shown and described.

DESCRIPTION

FIG. 1 is a perspective view of a surface mount light showing our new design;
FIG. 2 is a front view thereof;
FIG. 3 is a back view thereof;
FIG. 4 is a right-side view thereof;
FIG. 5 is a left side view thereof;
FIG. 6 is a top plan view thereof; and,
FIG. 7 is a bottom plan view thereof.
The broken line portions shown in any of the Figures are included to show unclaimed subject matter only and form no part of the claimed design.

(56) **References Cited**
U.S. PATENT DOCUMENTS
6,739,738 B1 * 5/2004 Smith F21S 48/215
362/235
D572,856 S * 7/2008 Kehl D26/61

1 Claim, 5 Drawing Sheets



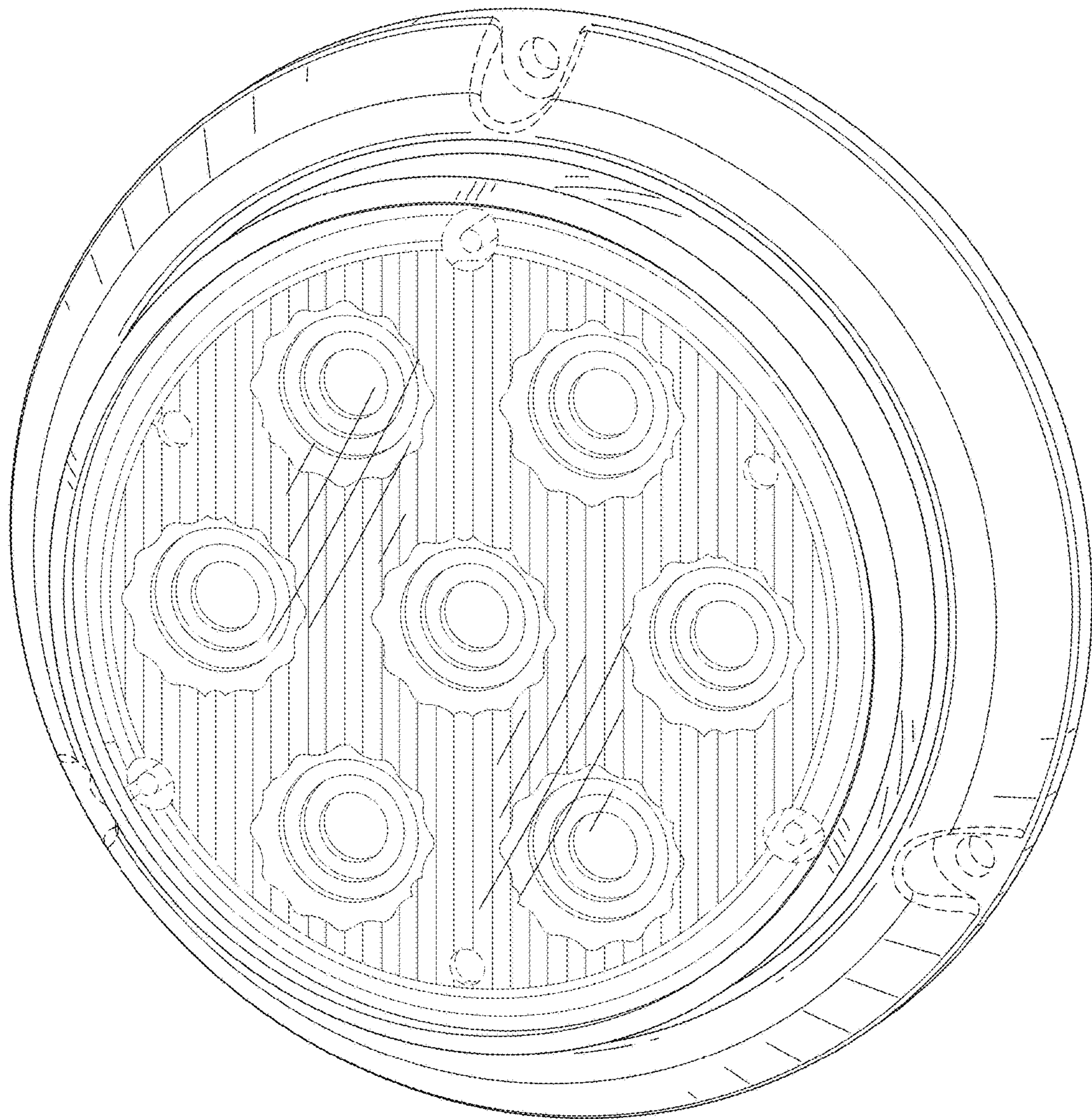


FIG. 1

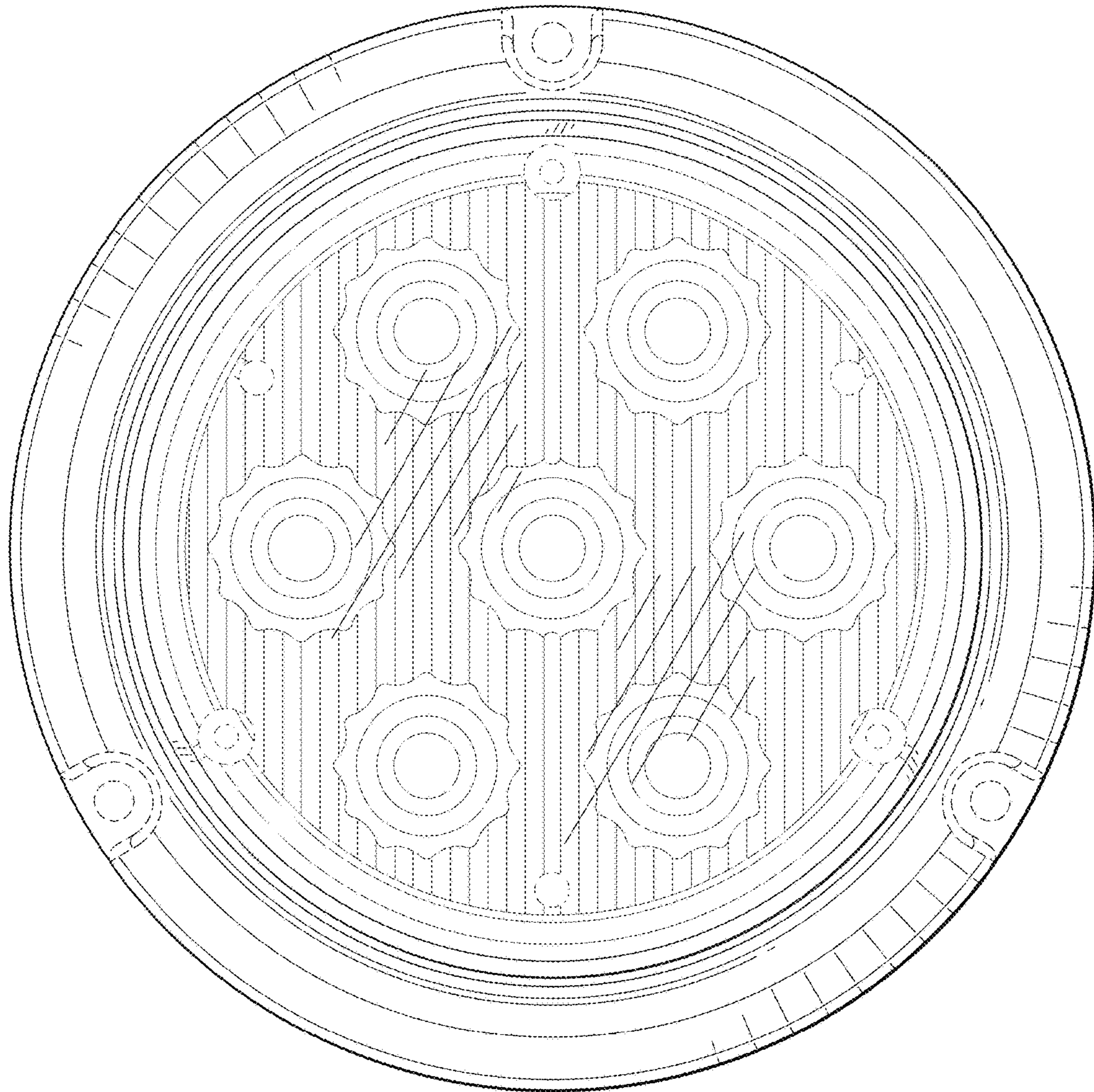


FIG. 2

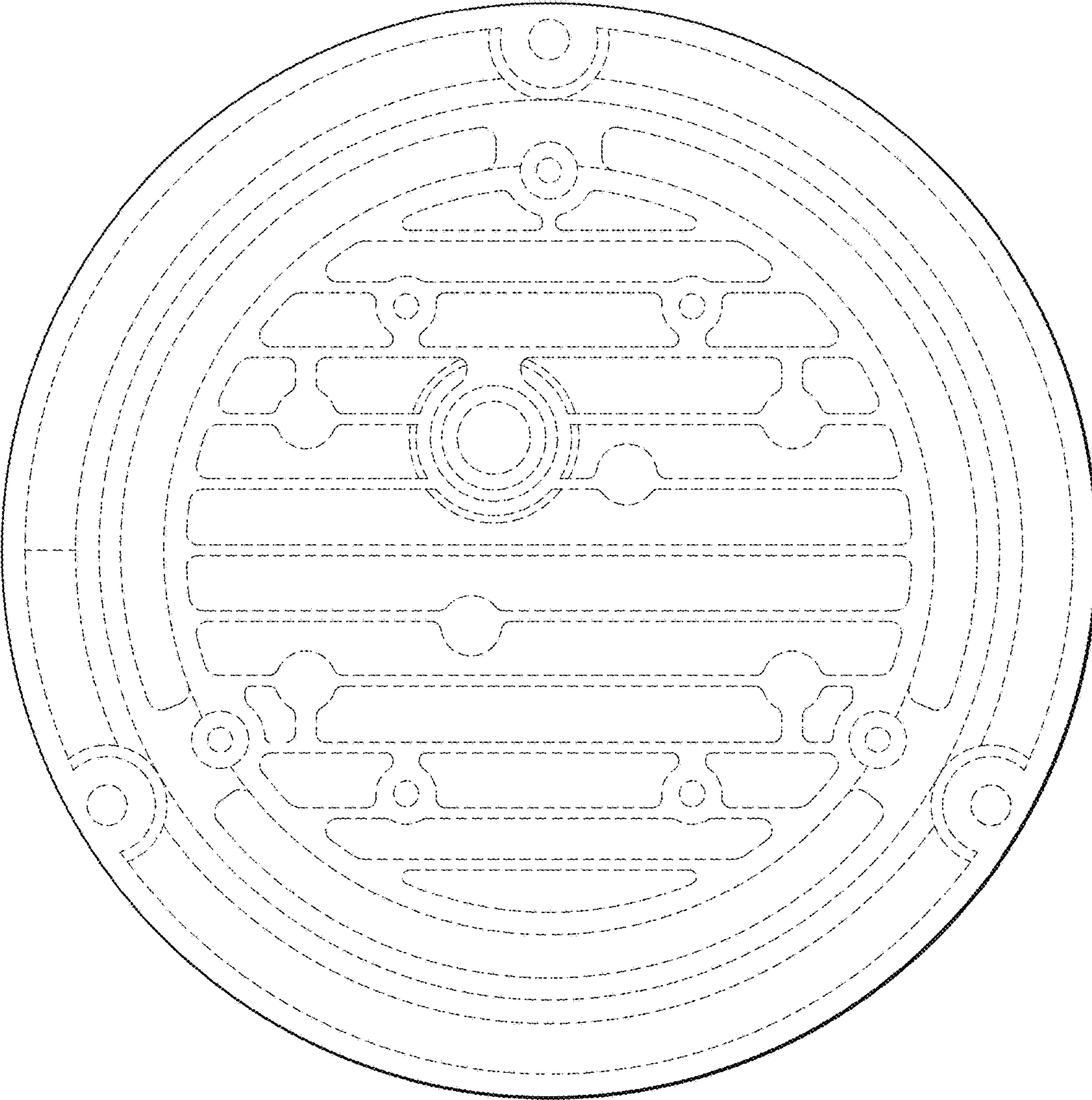


FIG. 3

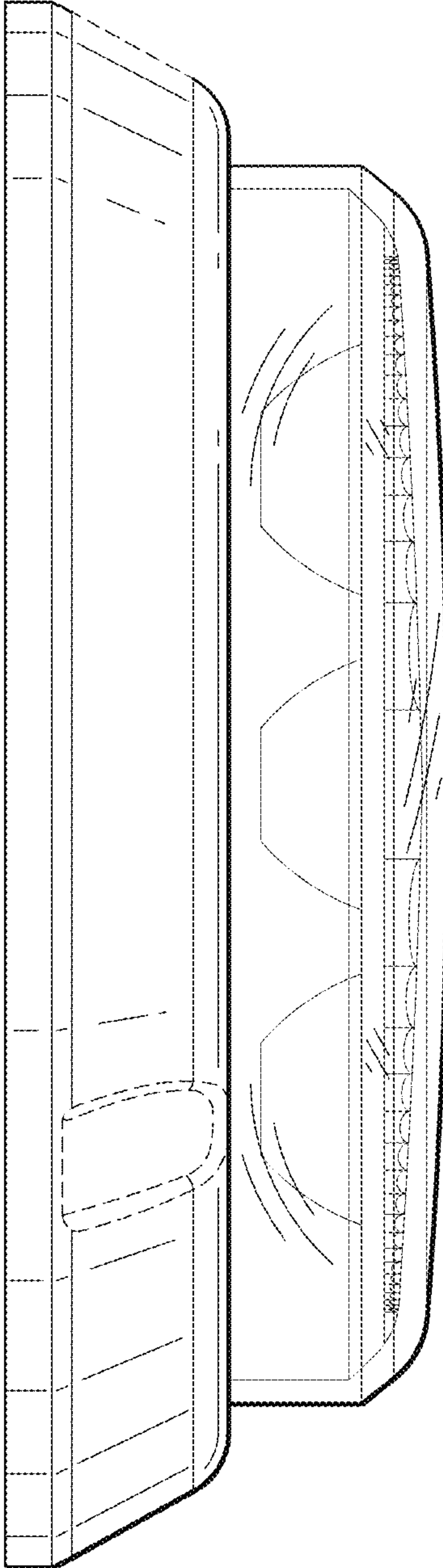


FIG. 4

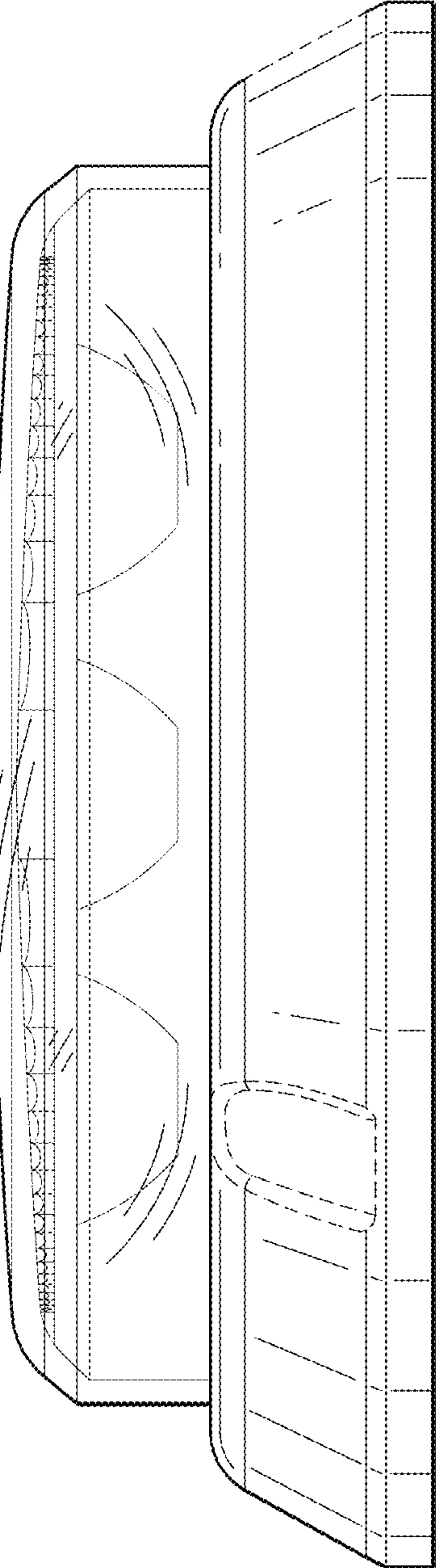


FIG. 5

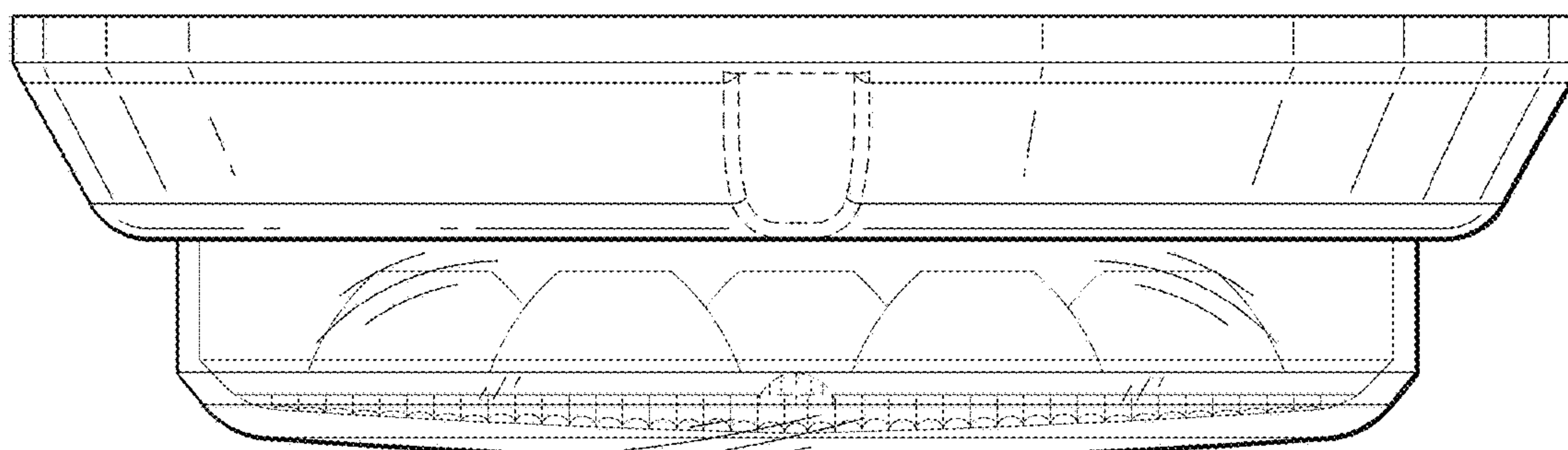


FIG. 6

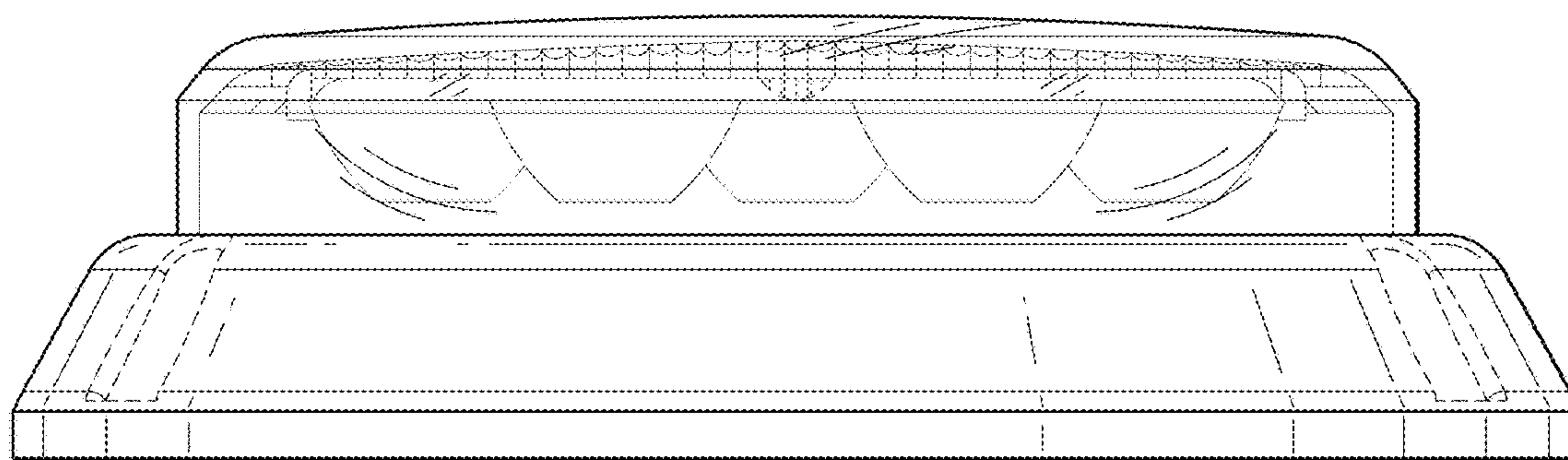


FIG. 7