



US00D793587S

(12) **United States Design Patent** (10) **Patent No.:** **US D793,587 S**
Avital (45) **Date of Patent:** **** Aug. 1, 2017**

- (54) **WICK AND CANDLE HOLDER**
- (71) Applicant: **Ami Avital**, Tel Aviv (IL)
- (72) Inventor: **Ami Avital**, Tel Aviv (IL)
- (73) Assignee: **ZEHAVI PLADOT LTD.**, Tel Aviv (IL), part interest
- (**) Term: **14 Years**
- (21) Appl. No.: **29/503,042**
- (22) Filed: **Sep. 23, 2014**
- (51) **LOC (10) Cl.** **26-01**
- (52) **U.S. Cl.**
USPC **D26/23**
- (58) **Field of Classification Search**
USPC D26/6-23
CPC F23D 3/24; F23D 3/16; F23D 3/00; C11C 5/006
See application file for complete search history.

(56) **References Cited**

U.S. PATENT DOCUMENTS

422,989	A *	3/1890	Stelzner	F21V 35/00 431/297
1,842,904	A *	1/1932	Greenan	F21V 35/00 431/294
2,246,346	A *	6/1941	Carroll	F21S 13/12 431/291
2,478,864	A *	8/1949	Dillon	F21V 35/00 431/126
2,494,995	A *	1/1950	Gardner	F21V 35/00 431/294
3,105,373	A *	10/1963	De Villemure	C11C 5/006 431/288
4,240,783	A *	12/1980	Nevin	A24F 15/08 431/126
6,231,336	B1 *	5/2001	Chen	F21V 35/00 362/163
6,695,611	B2 *	2/2004	Lee	F23D 3/18 431/292

7,036,954	B1 *	5/2006	Cordle	F21V 35/00 362/161
D536,108	S *	1/2007	Adams	D26/7
D631,578	S *	1/2011	Barrett	D26/9
2003/0054312	A1 *	3/2003	Lee	F23D 3/18 431/293

(Continued)

Primary Examiner — T. Chase Nelson
Assistant Examiner — Ania Aman
(74) *Attorney, Agent, or Firm* — Edward Langer, Adv & Patent Attorney

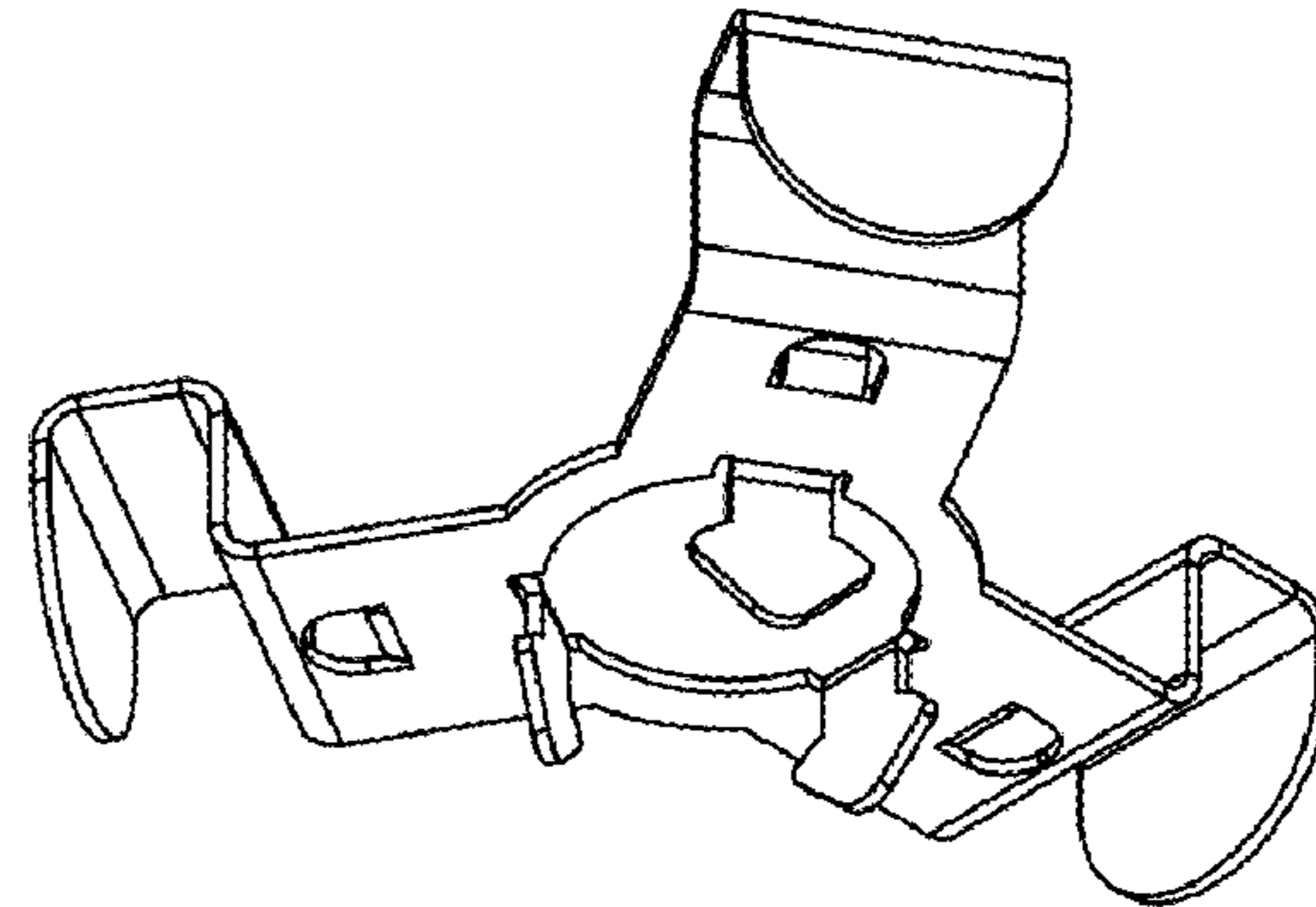
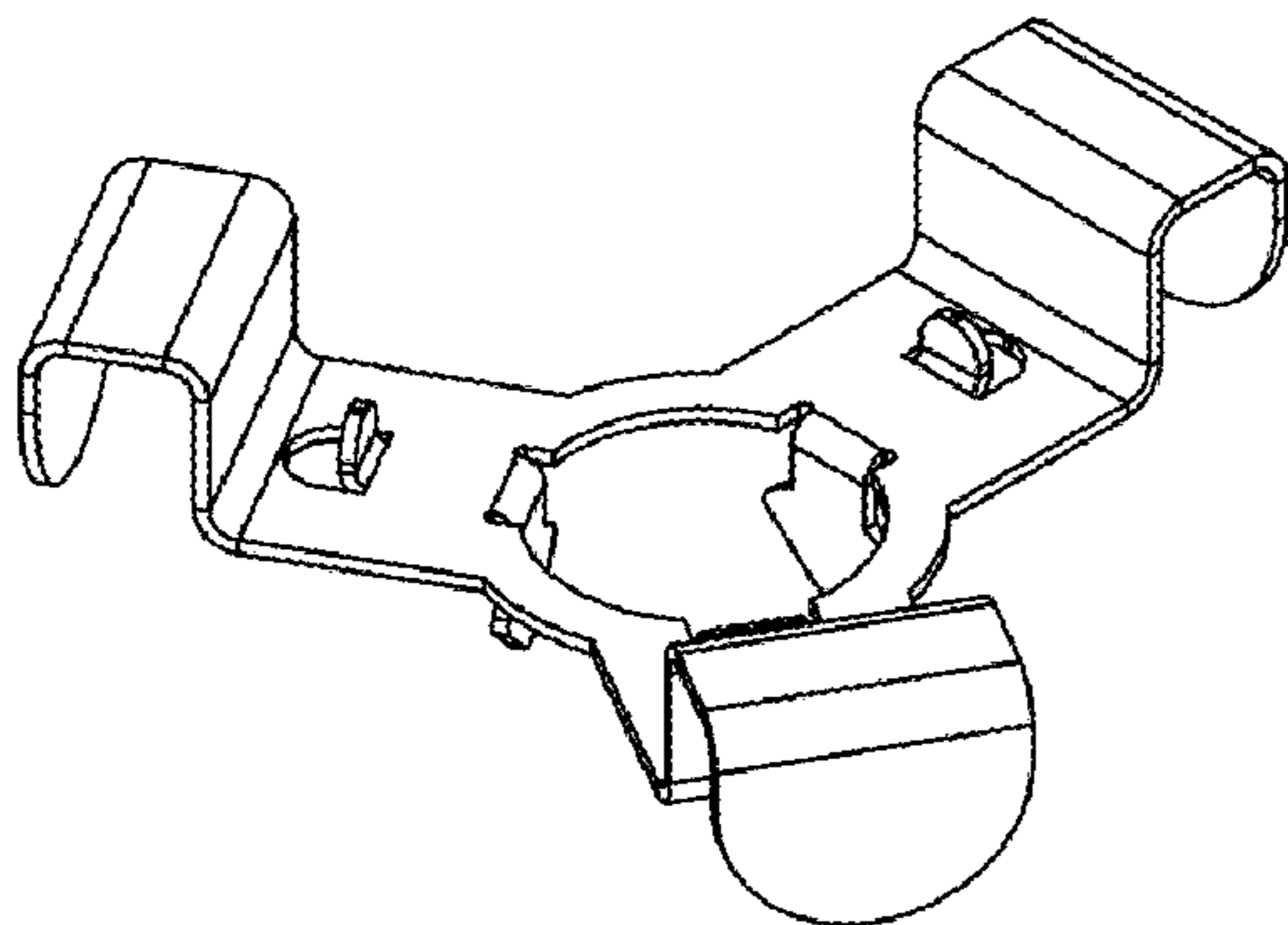
(57) **CLAIM**

The ornamental design for a wick and candle holder, as shown and described.

DESCRIPTION

FIG. 1 is a top view of the wick and candle holder; FIG. 2 is a top perspective view of the wick and candle holder; FIG. 3 is an edge view of the wick and candle holder; FIG. 4 is a side view of the wick and candle holder; FIG. 5 is a bottom view of the wick and candle holder; FIG. 6 is a bottom perspective view of the wick and candle holder; FIG. 7 is a flat top view of the wick and candle holder; FIG. 8 is a flat edge view of the wick and candle holder; FIG. 9 is a side perspective view of the wick and candle holder shown in use; FIG. 10 is a side perspective view of the wick and candle holder shown in use; FIG. 11 is a side perspective view of the wick and candle holder shown in use; and, FIG. 12 is a side perspective view of the wick and candle holder shown in use. The broken lines shown in the drawings are for the purpose of illustrating portions of the article that form no part of the claimed design.

1 Claim, 7 Drawing Sheets



(56)

References Cited

U.S. PATENT DOCUMENTS

2005/0239010	A1 *	10/2005	Duska	F23D 3/30 431/288
2006/0057522	A1 *	3/2006	Kubicek	F23D 3/16 431/289
2006/0057526	A1 *	3/2006	Kubicek	F23D 3/16 431/291
2007/0020574	A1 *	1/2007	Kubicek	F23D 3/24 431/298
2007/0026352	A1 *	2/2007	Kubicek	F23D 3/24 431/289
2007/0037108	A1 *	2/2007	Kubicek	C11C 5/006 431/289
2007/0072139	A1 *	3/2007	Xenakis	A23G 1/507 431/289
2010/0291500	A1 *	11/2010	Barrett	A47G 33/00 431/292
2012/0148966	A1 *	6/2012	Ramaker	C11C 5/006 431/292
2016/0201900	A1 *	7/2016	Masterson	F23D 3/08 431/2

* cited by examiner

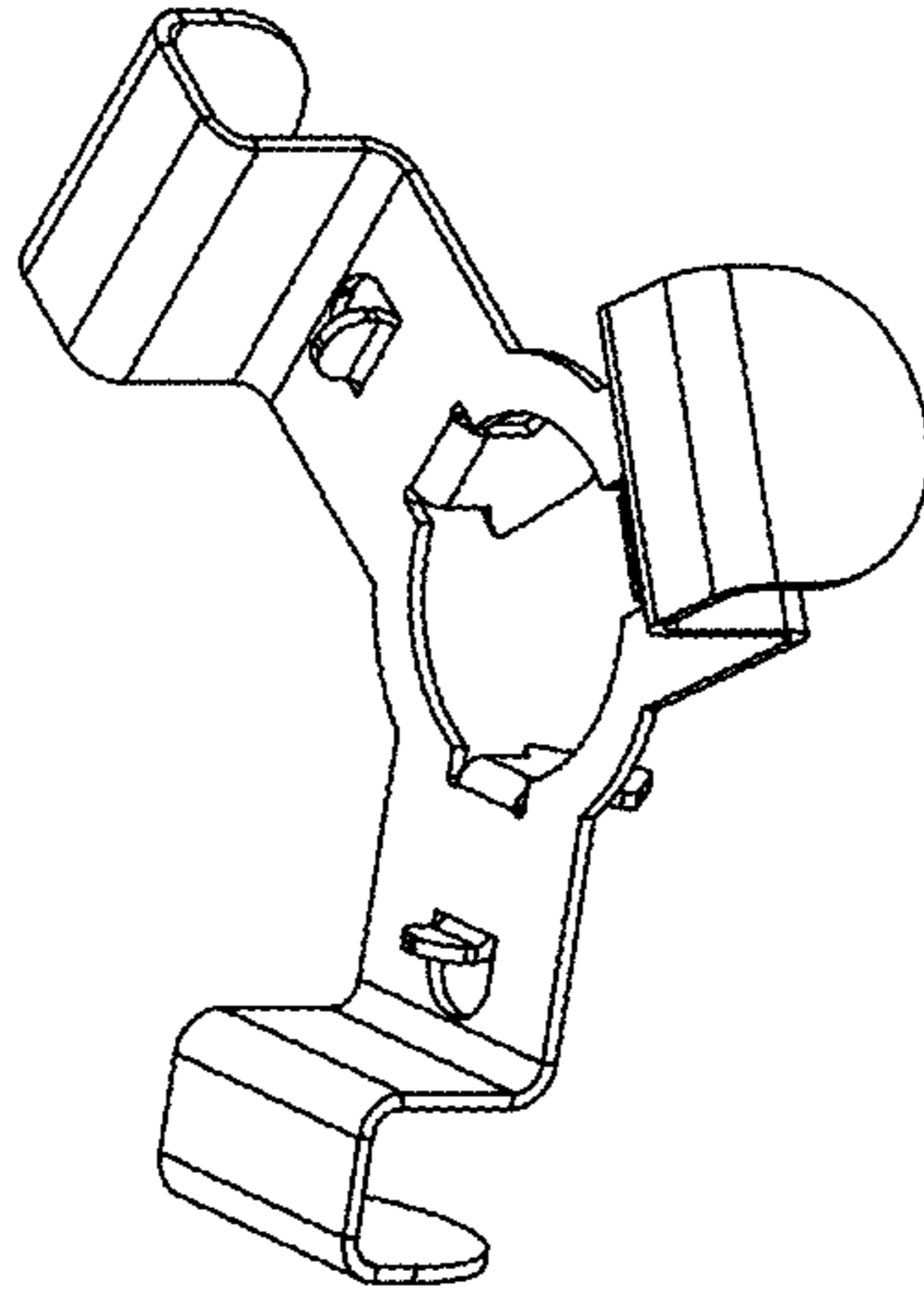


FIG. 2

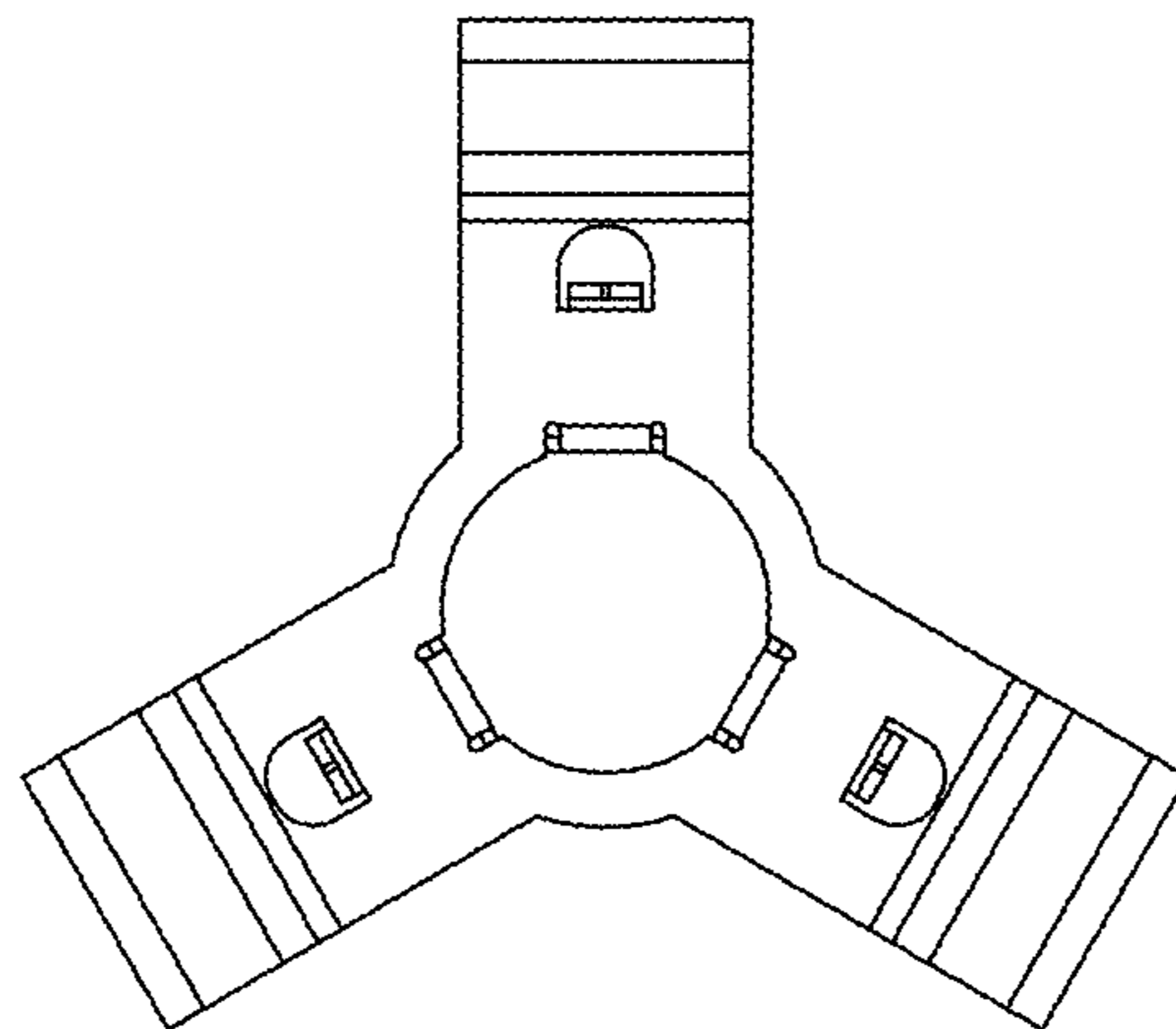


FIG. 1

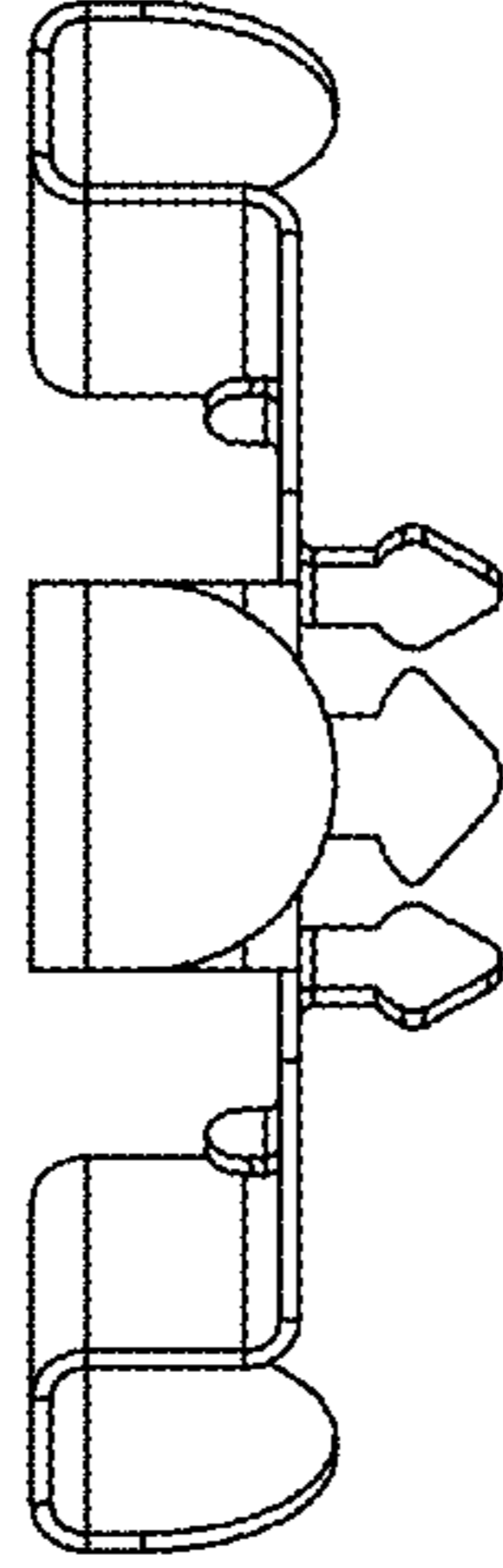


FIG. 4

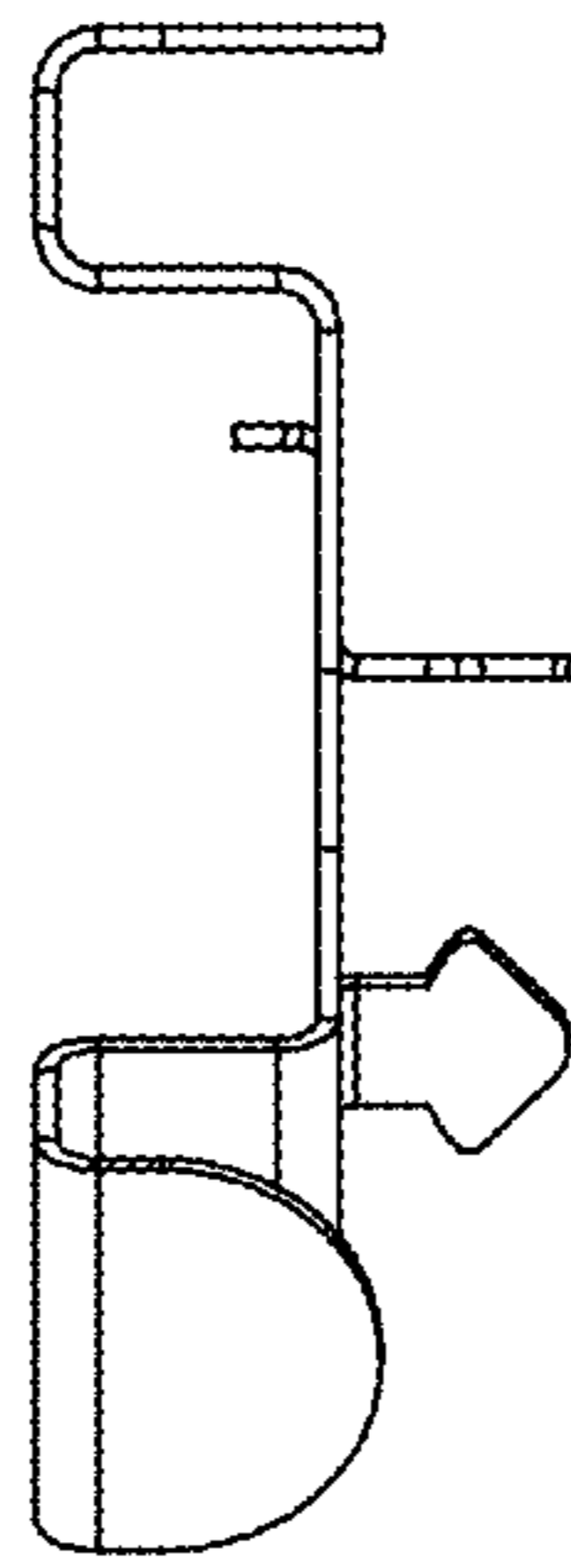


FIG. 3

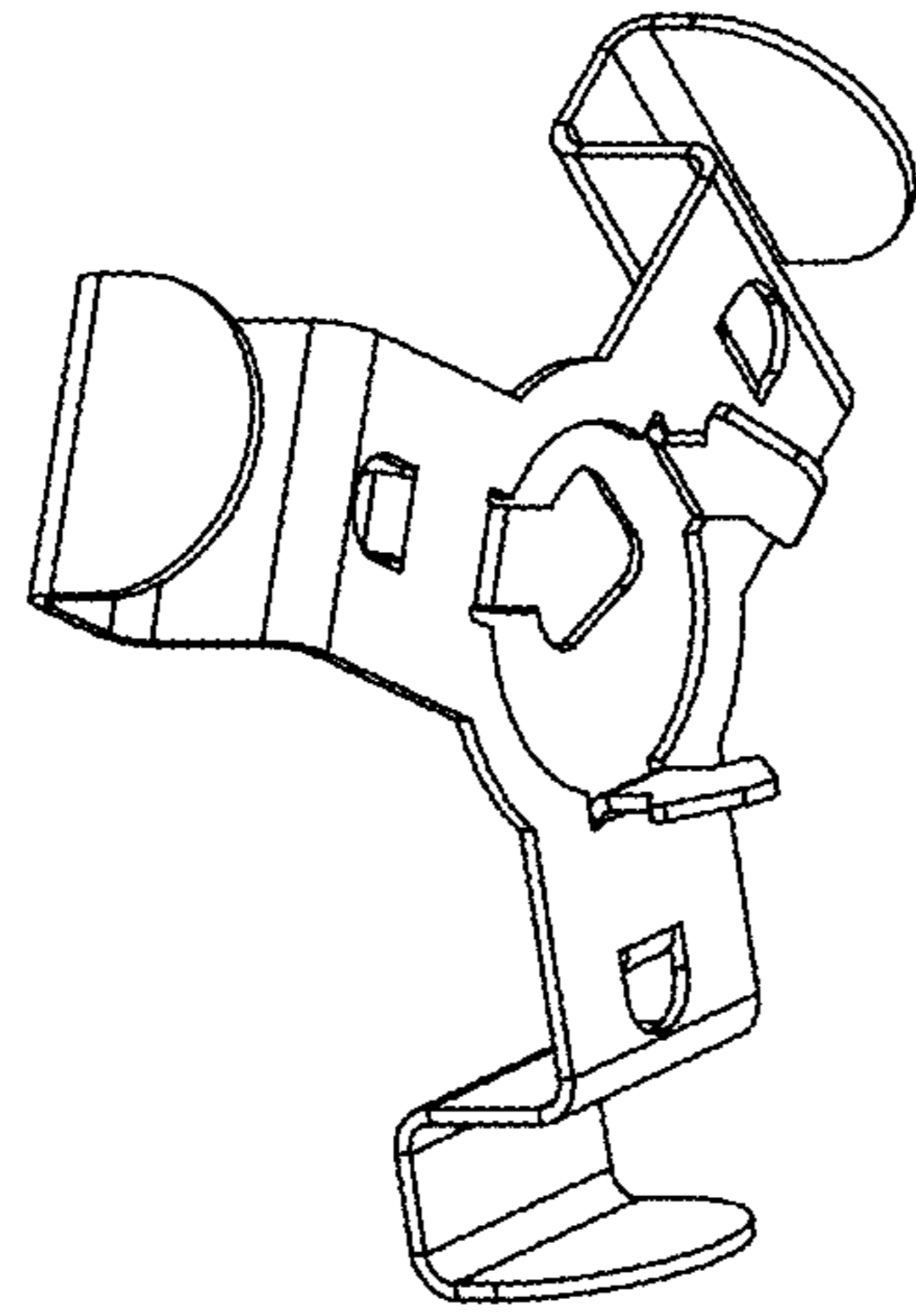


FIG. 6

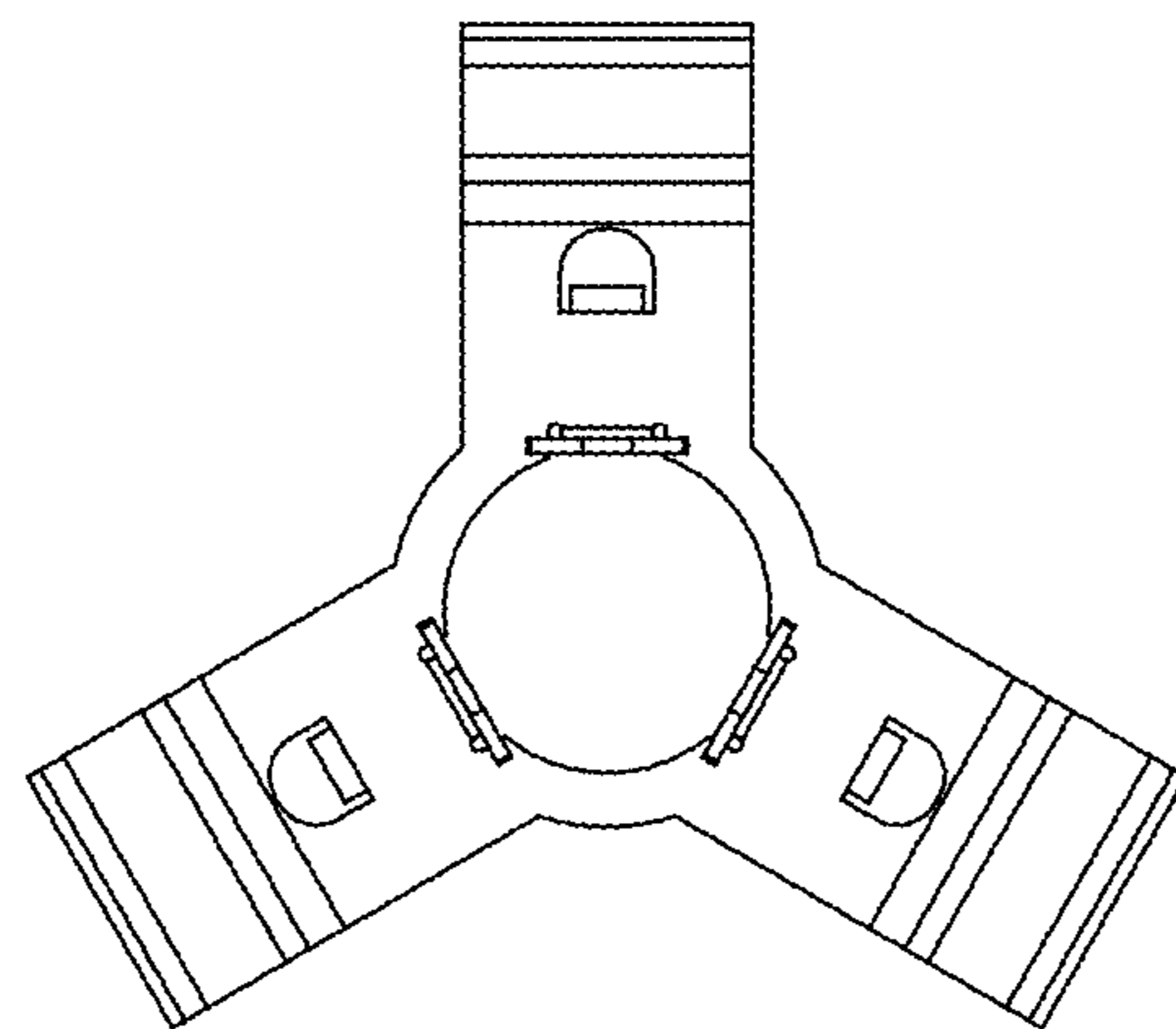


FIG. 5

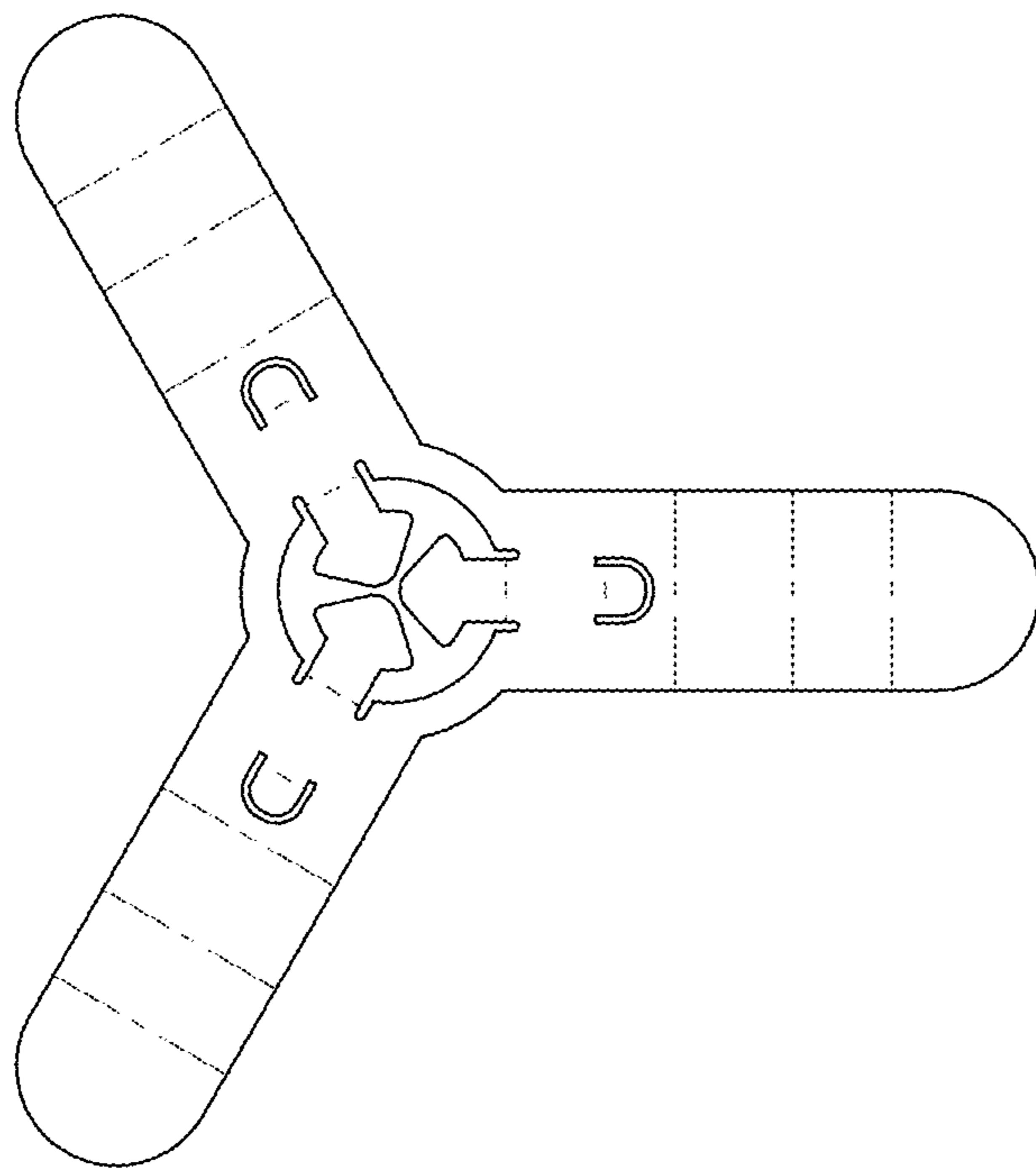


FIG 7

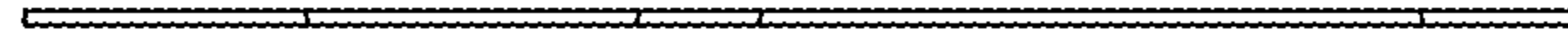


FIG 8

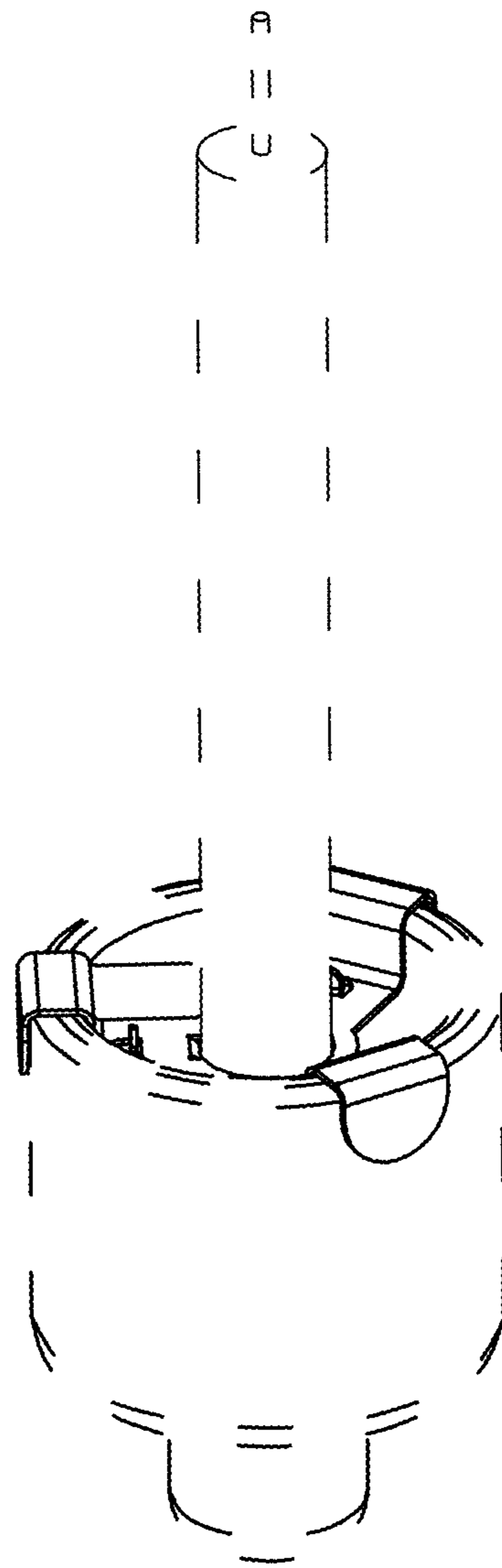


FIG. 9

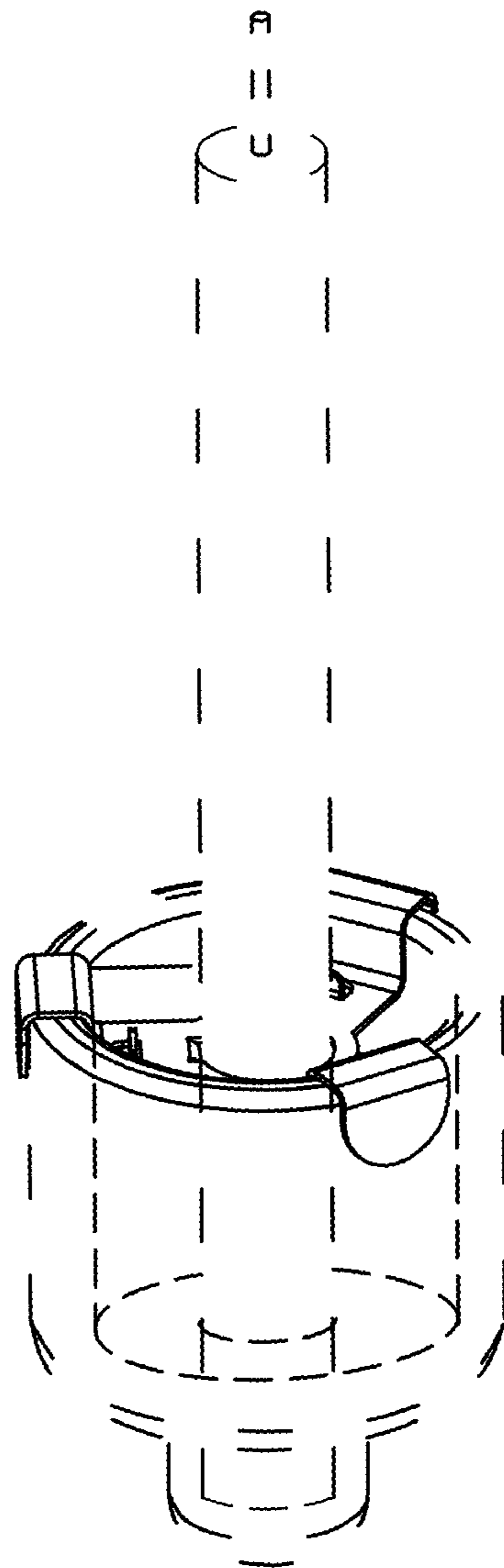


FIG. 10

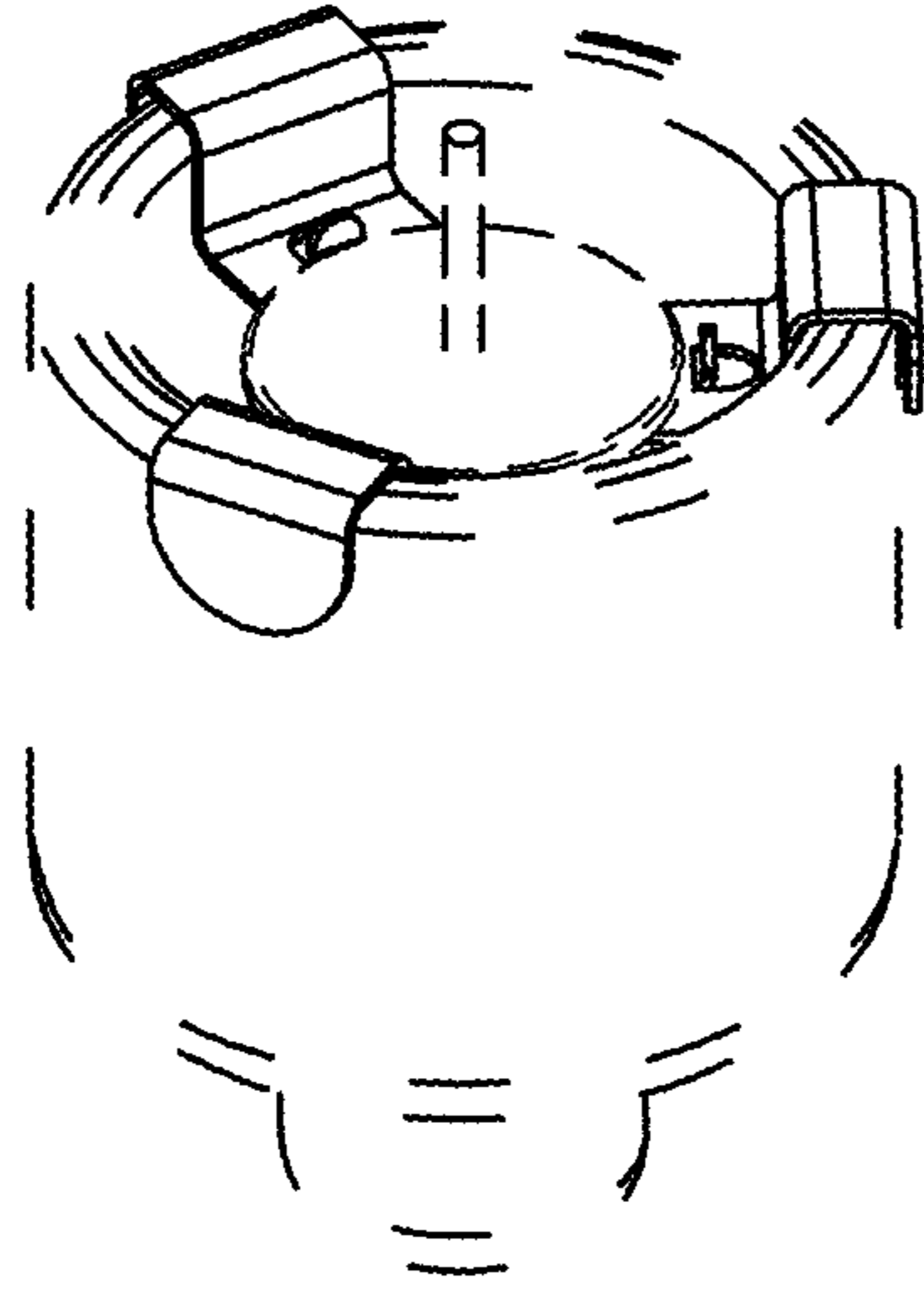


FIG. 11

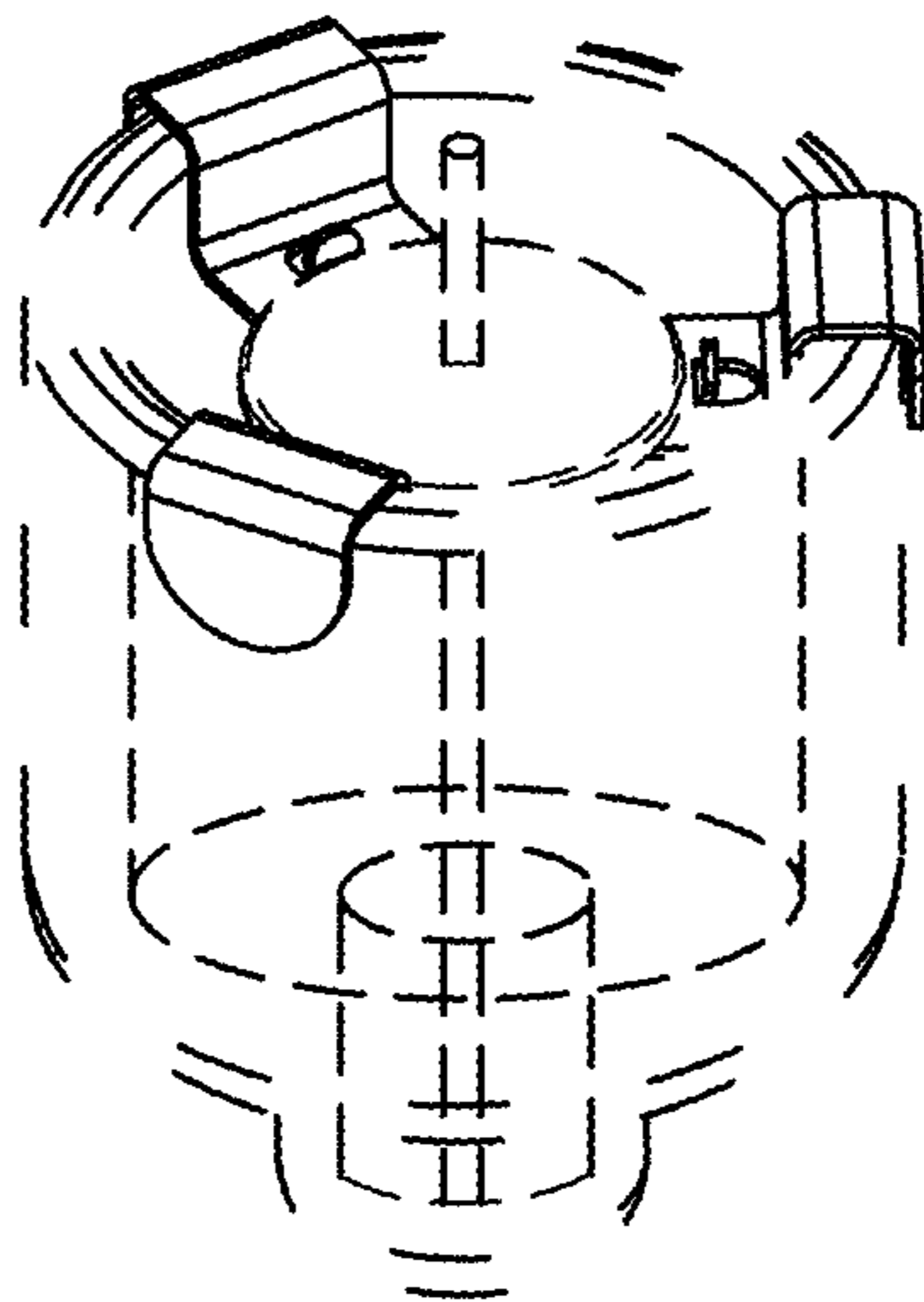


FIG. 12