

US00D793586S

(12) **United States Design Patent** (10) **Patent No.:** **US D793,586 S**
Chen et al. (45) **Date of Patent:** **** *Aug. 1, 2017**

(54) **LED RETROFIT BULB**

CPC H01J 5/48; H01J 5/50; H01J 19/54; F21V 5/00

(71) Applicant: **KONINKLIJKE PHILIPS N.V.**,
Eindhoven (NL)

See application file for complete search history.

(72) Inventors: **Shengjin Chen**, Wuhan (CN); **Hui Ling Pan**, Shanghai (CN); **Xiaobo Zhang**, Shanghai (CN); **Chunheng Kang**, Perak (MY); **Shichun Liu**, Shanghai (CN)

(56) **References Cited**

U.S. PATENT DOCUMENTS

D392,057 S *	3/1998	Chen	D26/2
D405,201 S *	2/1999	Lodhie	D26/2
D426,899 S *	6/2000	Au Yeng	D26/2
D543,644 S *	5/2007	Bembridge	D26/2
D689,219 S *	9/2013	Zhang	D26/2

(73) Assignee: **KONINKLIJKE PHILIPS N.V.**,
Eindhoven (NL)

* cited by examiner

(*) Notice: This patent is subject to a terminal disclaimer.

Primary Examiner — Marcus Jackson

(**) Term: **15 Years**

(74) *Attorney, Agent, or Firm* — Baker & McKenzie LLP

(21) Appl. No.: **29/533,162**

(57) **CLAIM**

The ornamental design for an LED retrofit bulb, as shown.

(22) Filed: **Jul. 15, 2015**

DESCRIPTION

(30) **Foreign Application Priority Data**

Jan. 16, 2015 (EM) 002614628-0001

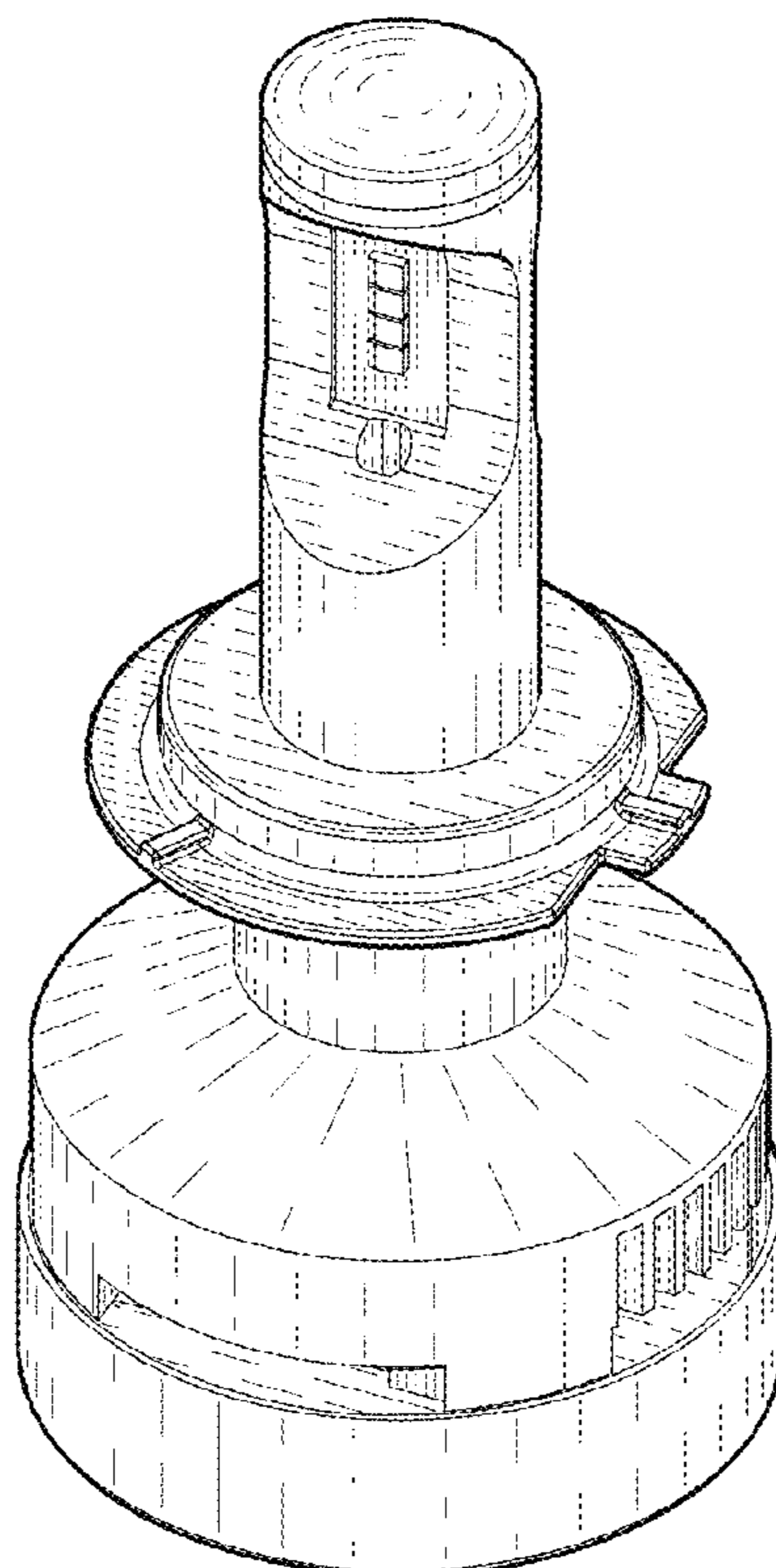
(51) **LOC (10) Cl.** **26-04**

(52) **U.S. Cl.**
USPC **D26/2**

(58) **Field of Classification Search**
USPC D26/1-4; 313/313, 315, 316, 317, 318,
313/493; 315/52, 53, 56, 57, 58

FIG. 1 is a perspective view showing my design;
FIG. 2 is a front elevational view thereof;
FIG. 3 is a rear elevational view thereof;
FIG. 4 is a right side elevational view thereof;
FIG. 5 is a left side elevational view thereof;
FIG. 6 is a top plan view thereof; and,
FIG. 7 is a bottom plan view thereof.

1 Claim, 4 Drawing Sheets



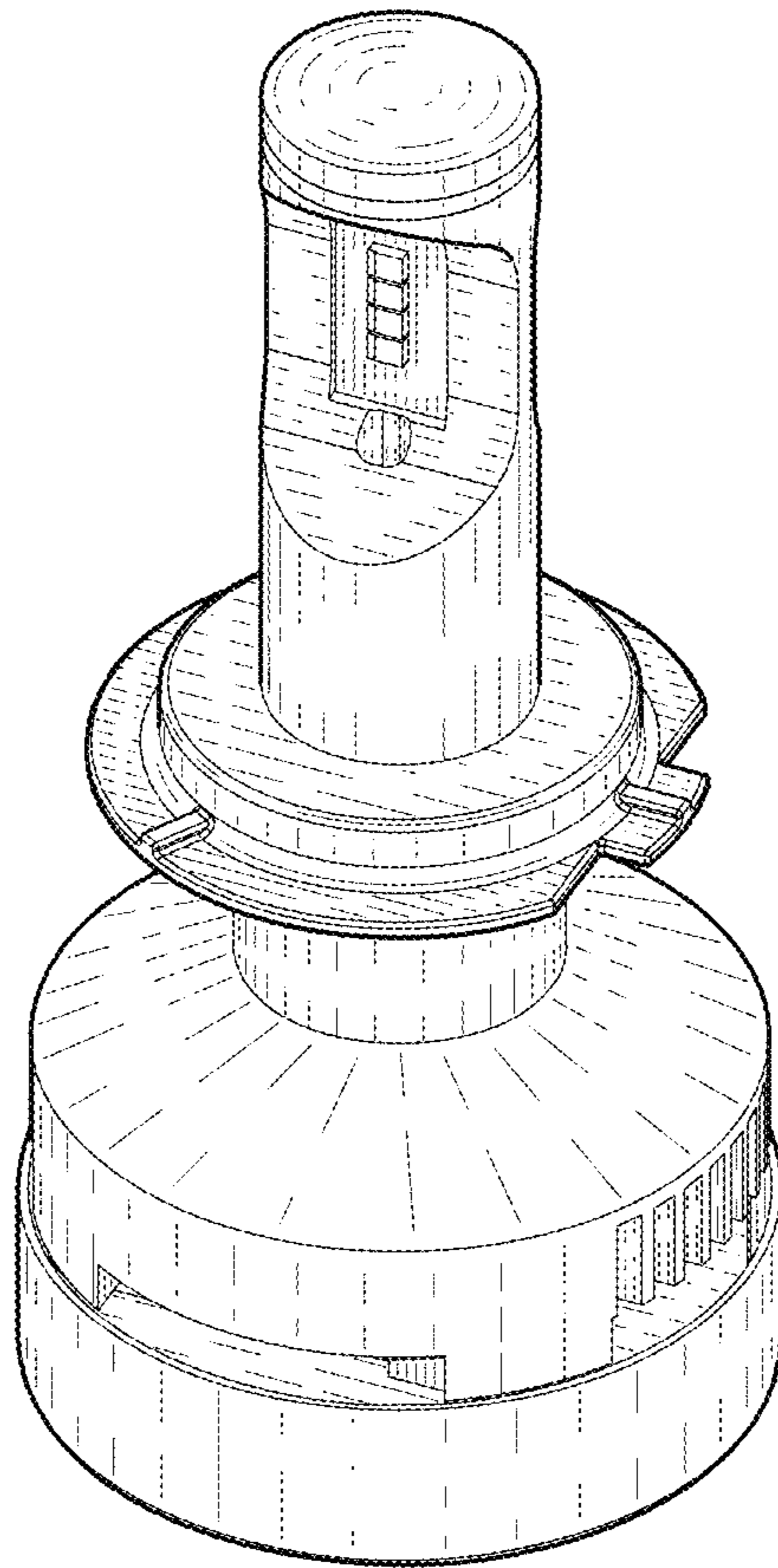


FIG. 1

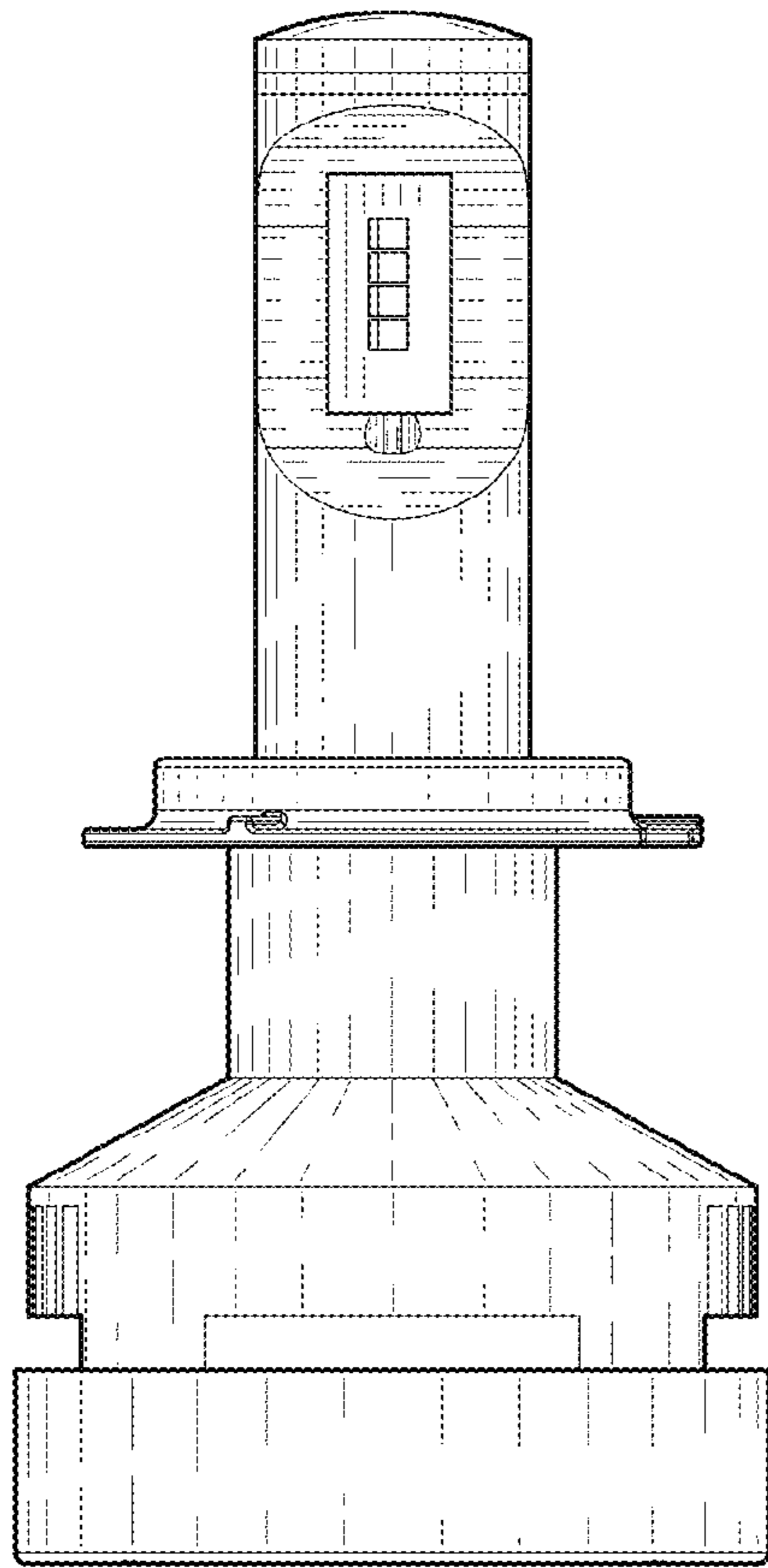


FIG. 2

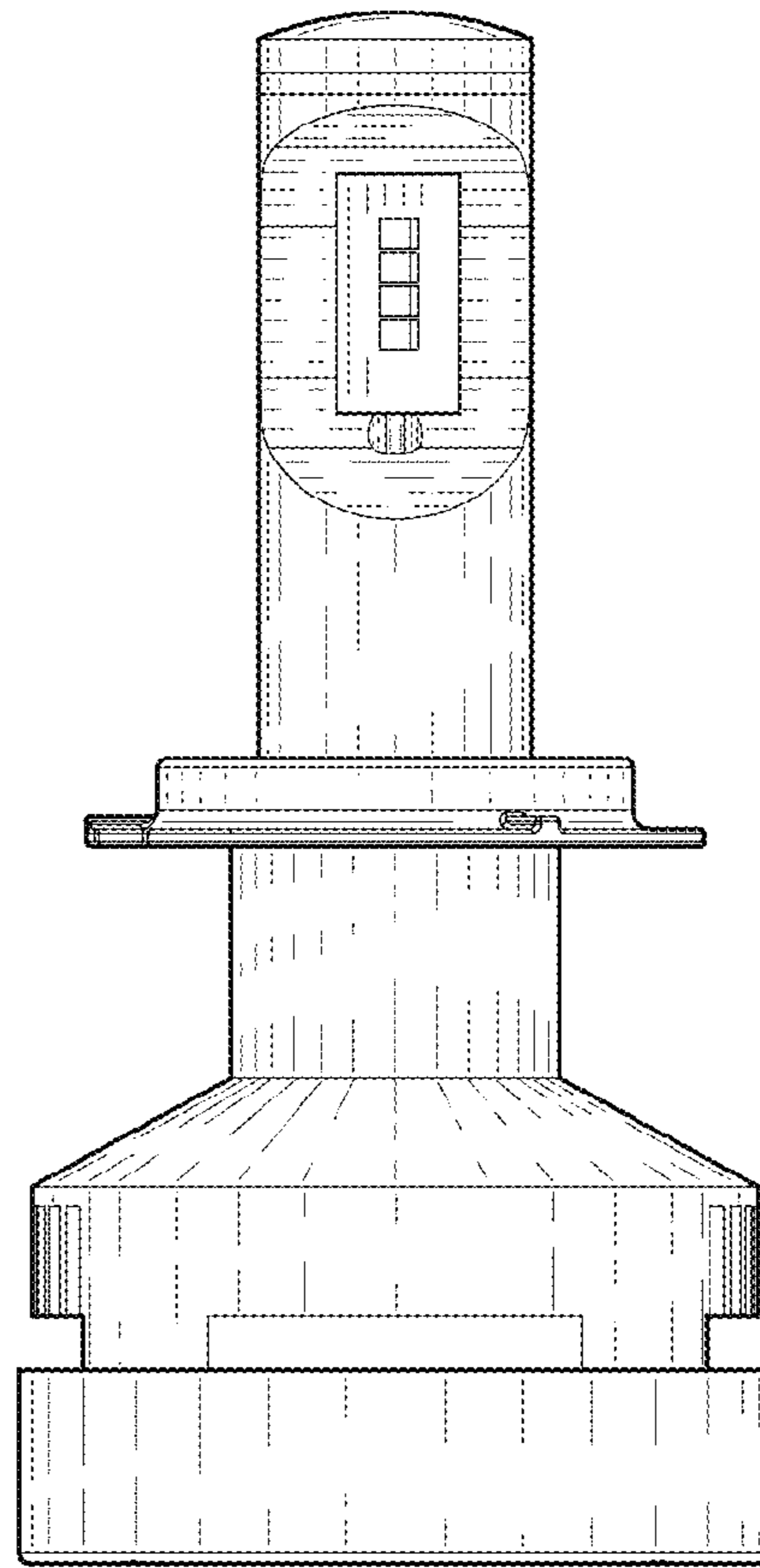


FIG. 3

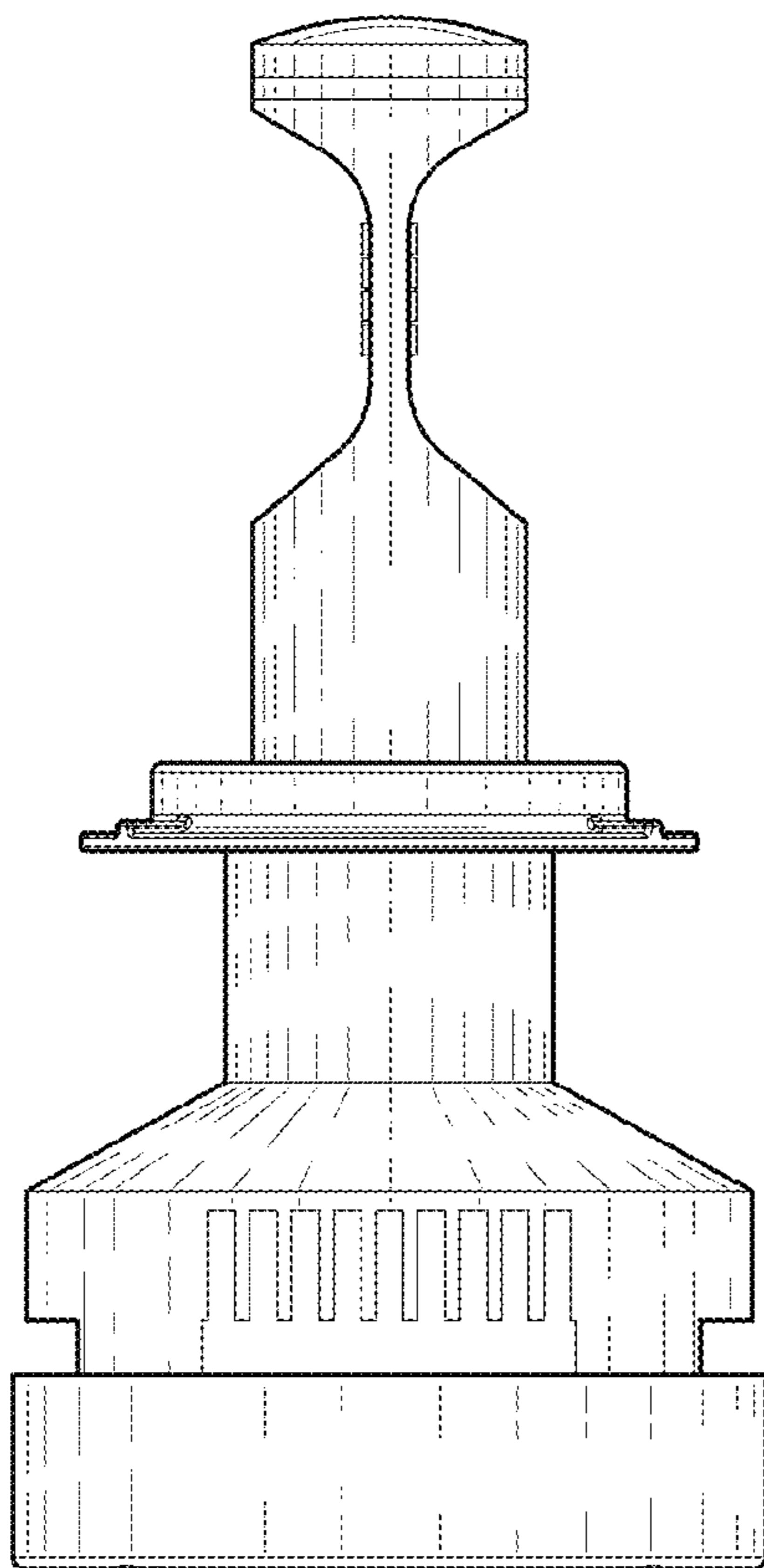


FIG. 4

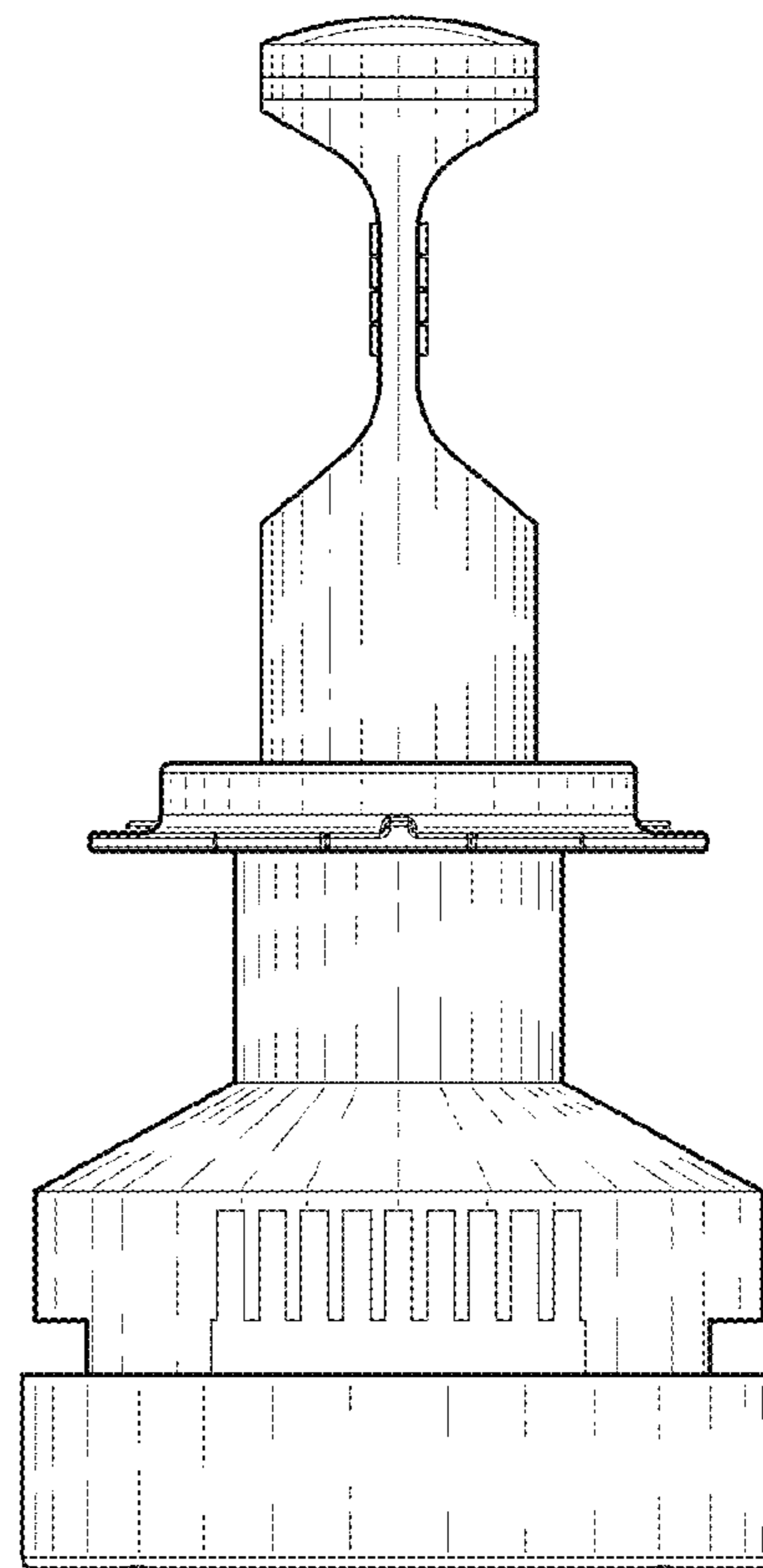


FIG. 5

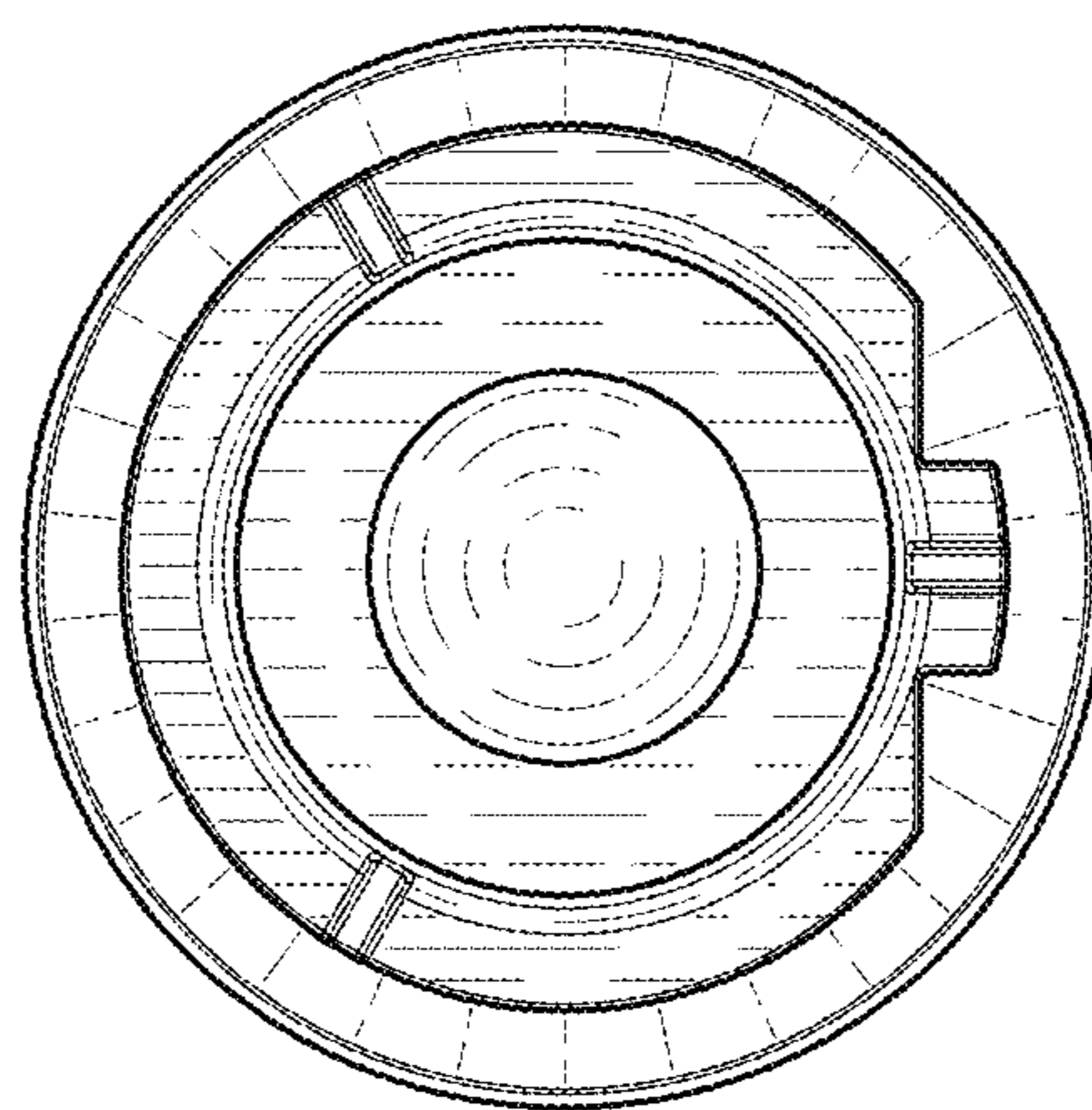


FIG. 6

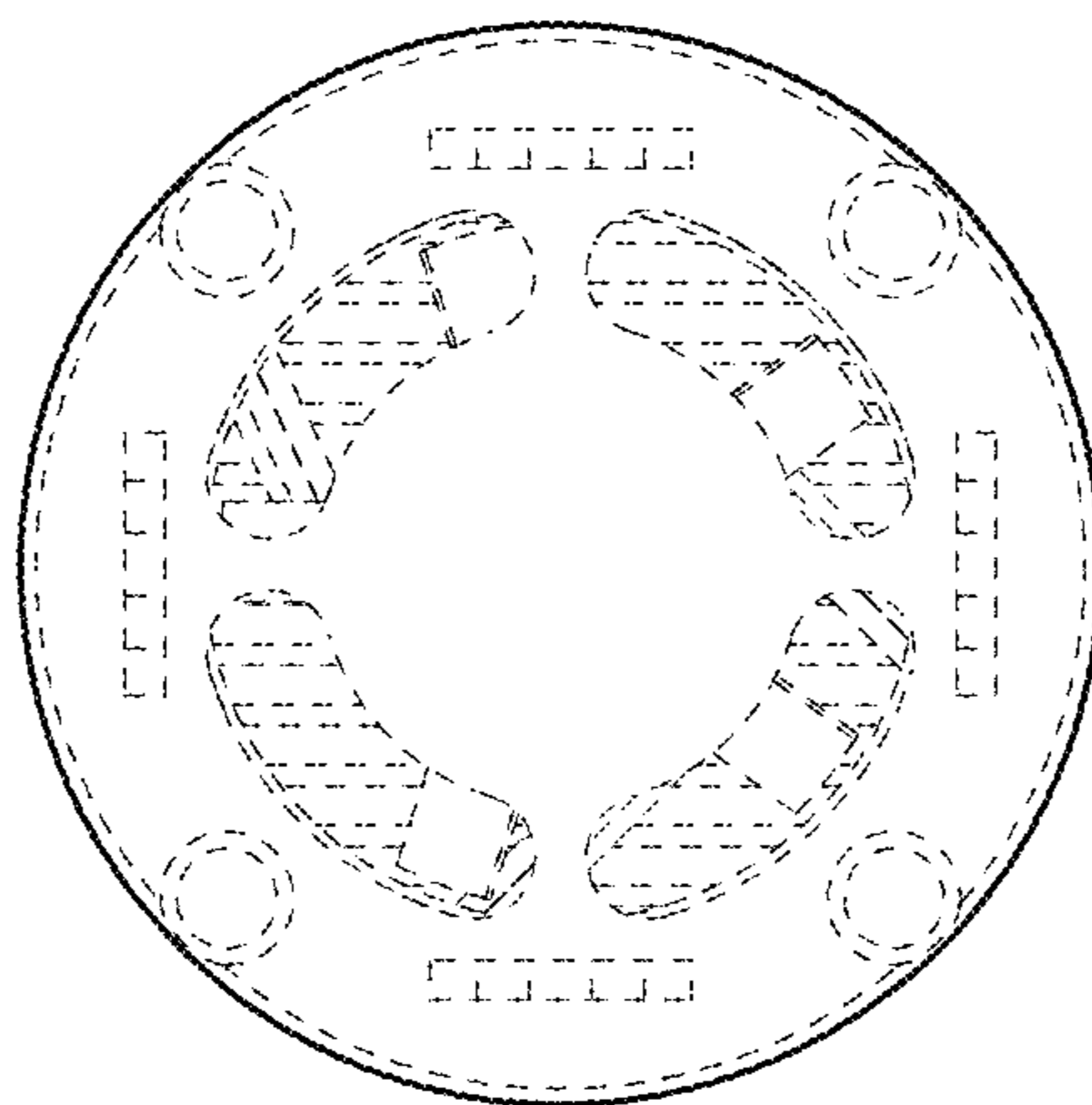


FIG. 7