



US00D793585S

(12) **United States Design Patent**
Zhang et al.

(10) **Patent No.:** **US D793,585 S**
(45) **Date of Patent:** **** Aug. 1, 2017**

(54) **LED BULBS**
(71) Applicant: **ZHEJIANG SHENDU OPTOELECTRONIC TECHNOLOGY CO., LTD.**, Wenling (CN)
(72) Inventors: **Zhen Zhang**, Wenling (CN); **Xuefeng Sun**, Wenling (CN)
(73) Assignee: **ZHEJIANG SHENDU OPTOELECTRONICS TECHNOLOGY CO., LTD.**, Wenling (CN)

D549,360 S * 8/2007 An D26/2
D550,864 S * 9/2007 Hernandez, Jr. D26/2
7,498,730 B2 * 3/2009 Innocenti H01K 1/02
313/273
D655,024 S * 2/2012 deBetak D26/2
D664,682 S * 7/2012 Matsuda D26/2
D664,683 S * 7/2012 Matsuda D26/2
D716,975 S * 11/2014 Hasuo D26/2
8,911,108 B2 * 12/2014 Matsuda F21V 15/01
362/249.01
D765,275 S * 8/2016 Ohno D26/2
D767,174 S * 9/2016 Moon D26/2
2009/0257220 A1 * 10/2009 Lenk F21V 3/00
362/186

(**) Term: **14 Years**
(21) Appl. No.: **29/513,457**
(22) Filed: **Dec. 31, 2014**

* cited by examiner
Primary Examiner — Lakiya Rogers
Assistant Examiner — Harold E Blackwell, II
(74) *Attorney, Agent, or Firm* — The Webb Law Firm

(30) **Foreign Application Priority Data**

Jul. 3, 2014 (CN) 2014 3 0219981
(51) **LOC (10) Cl.** **26-04**
(52) **U.S. Cl.**
USPC **D26/2**
(58) **Field of Classification Search**
USPC D26/1-4; 313/313, 315, 316, 317, 318,
313/493; 315/52, 53, 56, 57, 58
CPC F21V 29/004; F21V 13/00
See application file for complete search history.

(57) **CLAIM**

The ornamental design for LED bulbs, as shown and described.

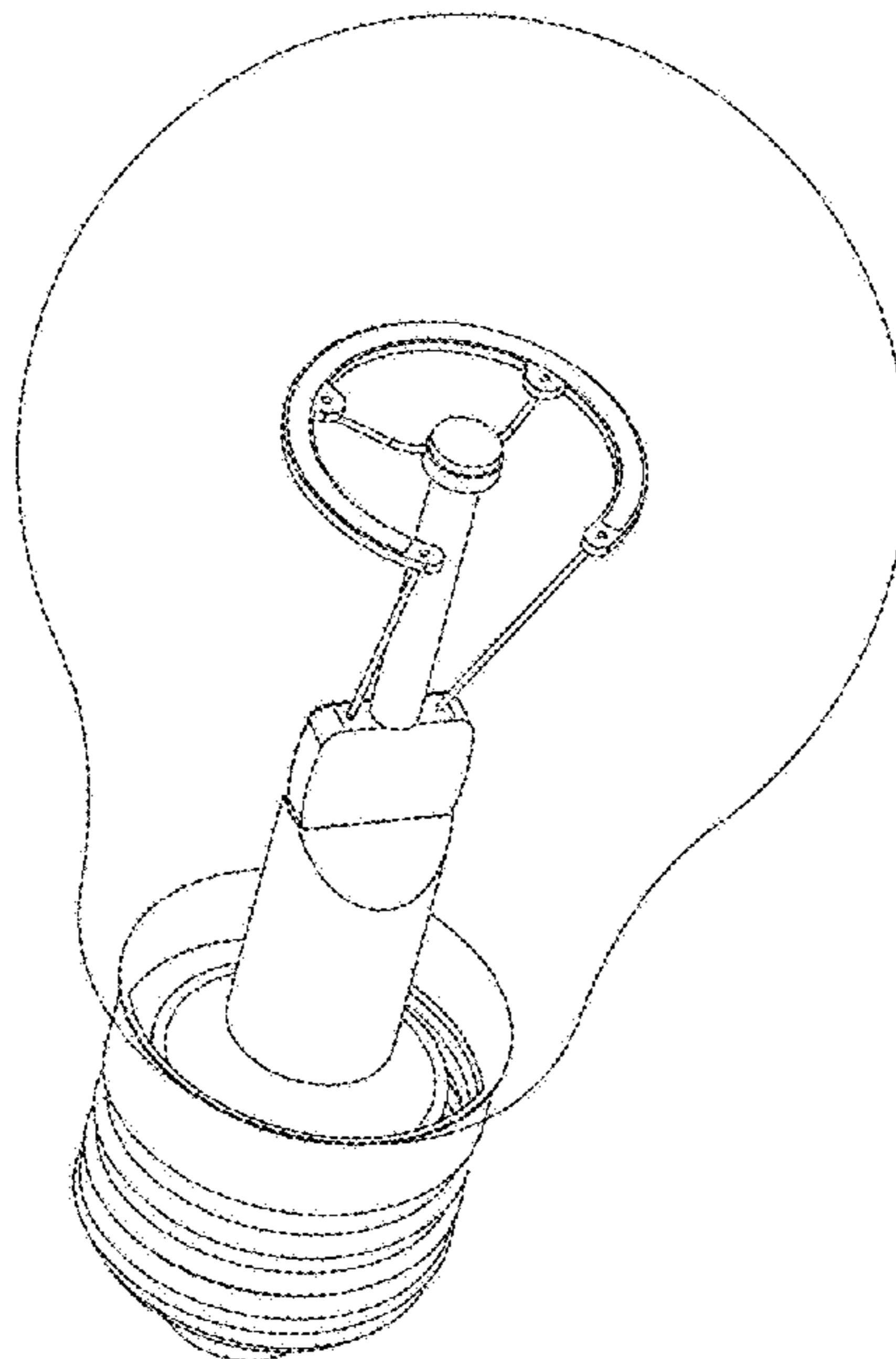
(56) **References Cited**

U.S. PATENT DOCUMENTS
D340,295 S * 10/1993 Beauchamp D10/116.1
D410,554 S * 6/1999 Guyton D26/2

DESCRIPTION

FIG. 1 is a front elevational view of LED bulbs showing our new design;
FIG. 2 is a rear elevational view thereof;
FIG. 3 is a left side elevational view thereof;
FIG. 4 is a right side elevational view thereof;
FIG. 5 is a top view thereof;
FIG. 6 is a bottom view thereof; and,
FIG. 7 is a perspective view thereof.

1 Claim, 7 Drawing Sheets



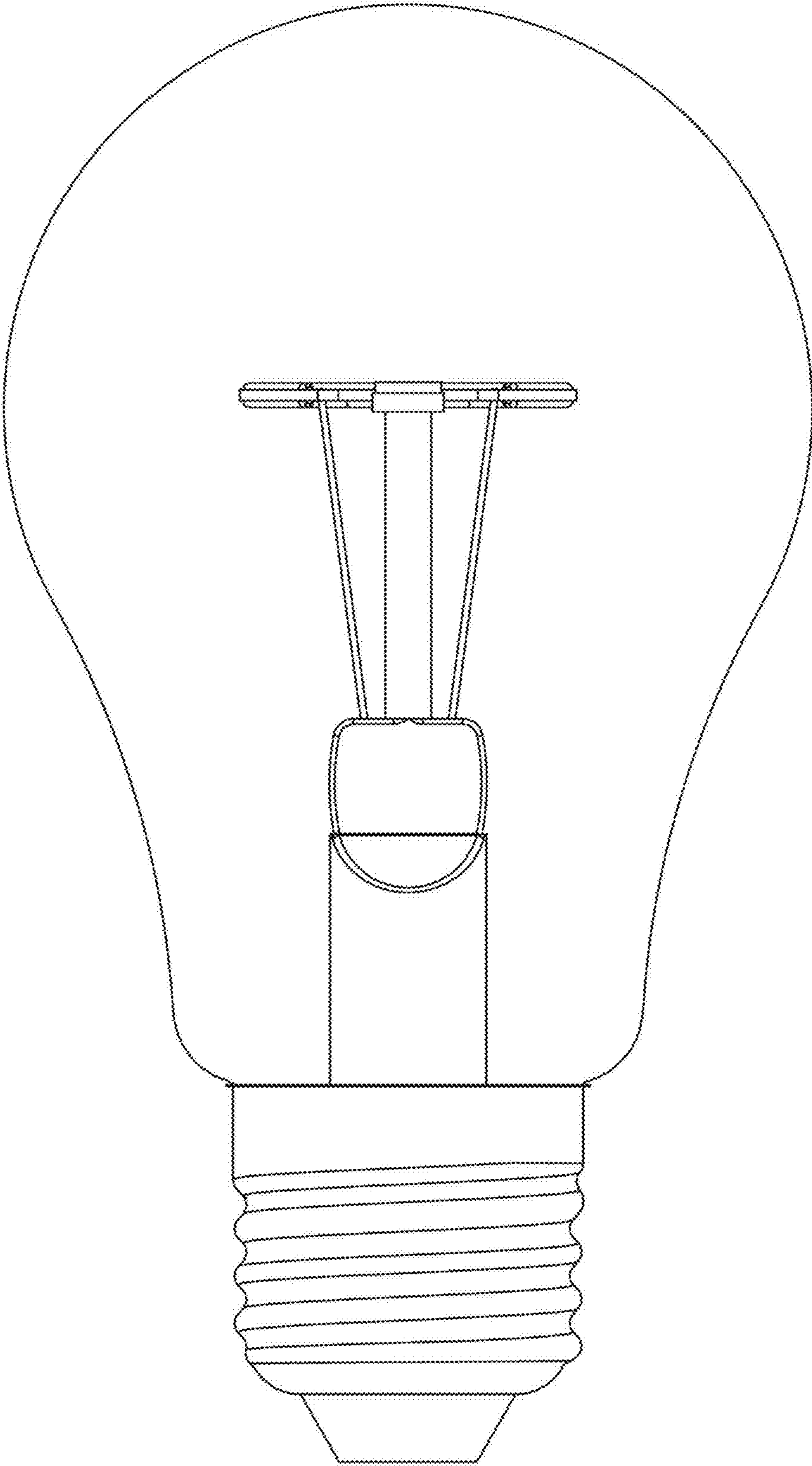


FIG. 1

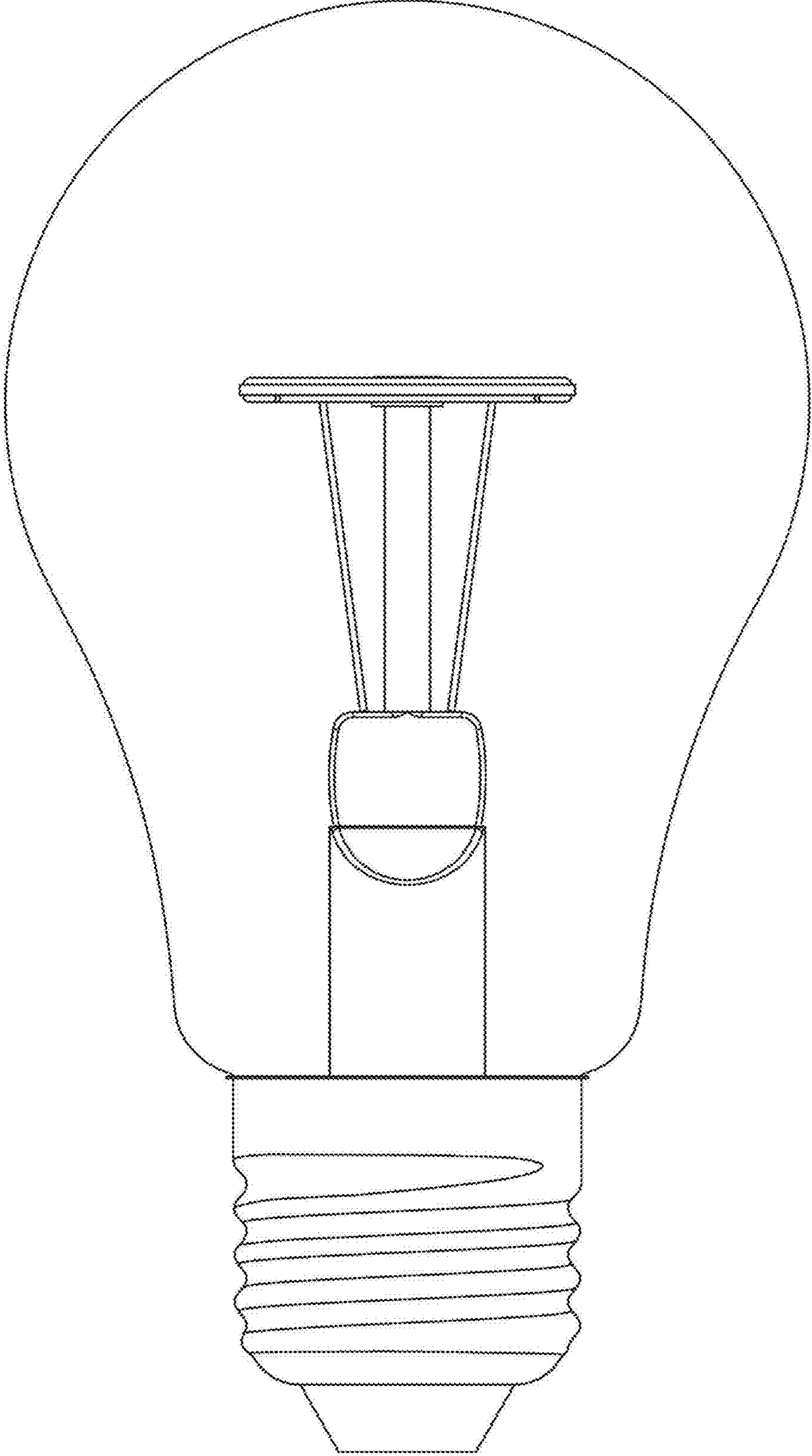


FIG. 2

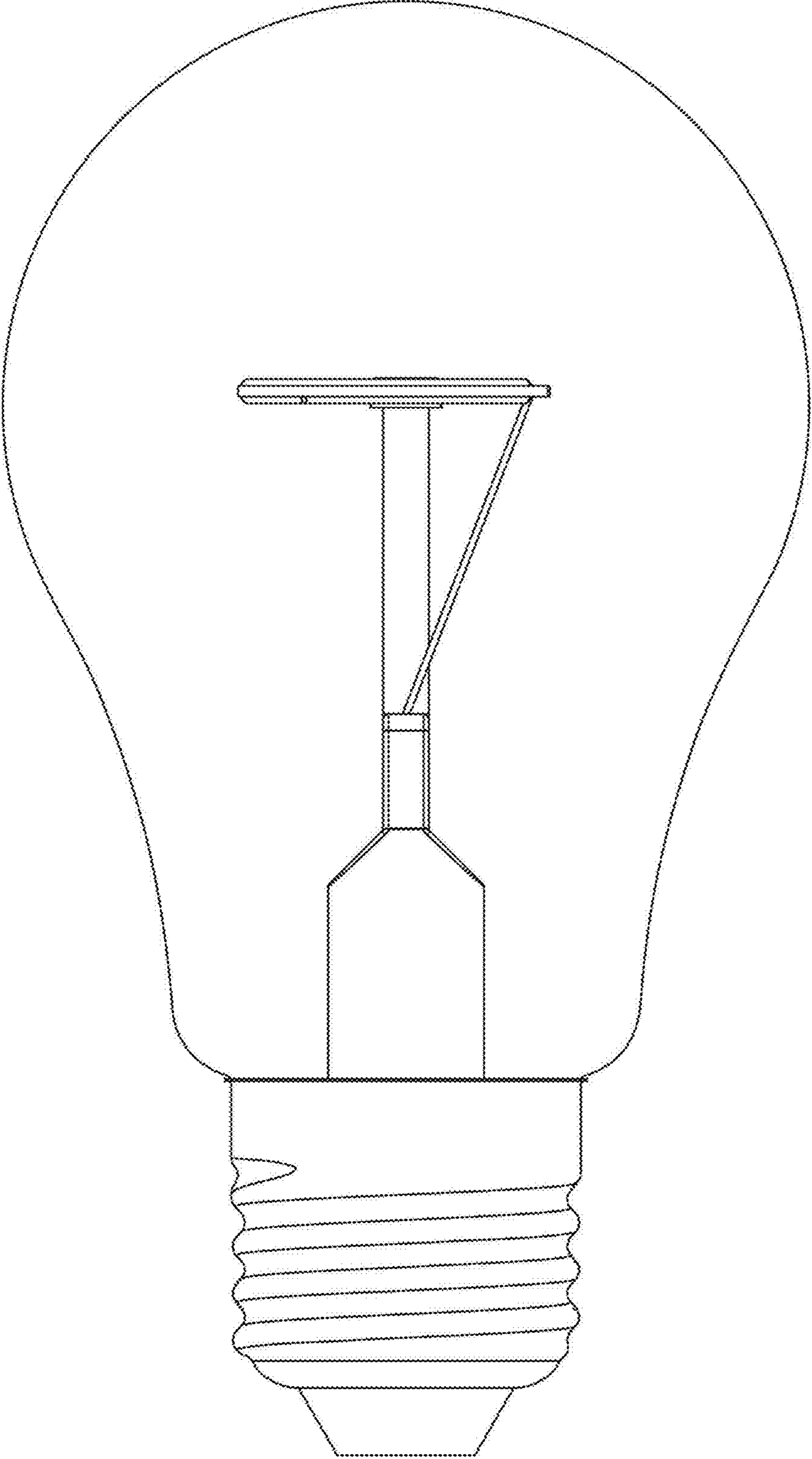


FIG. 3

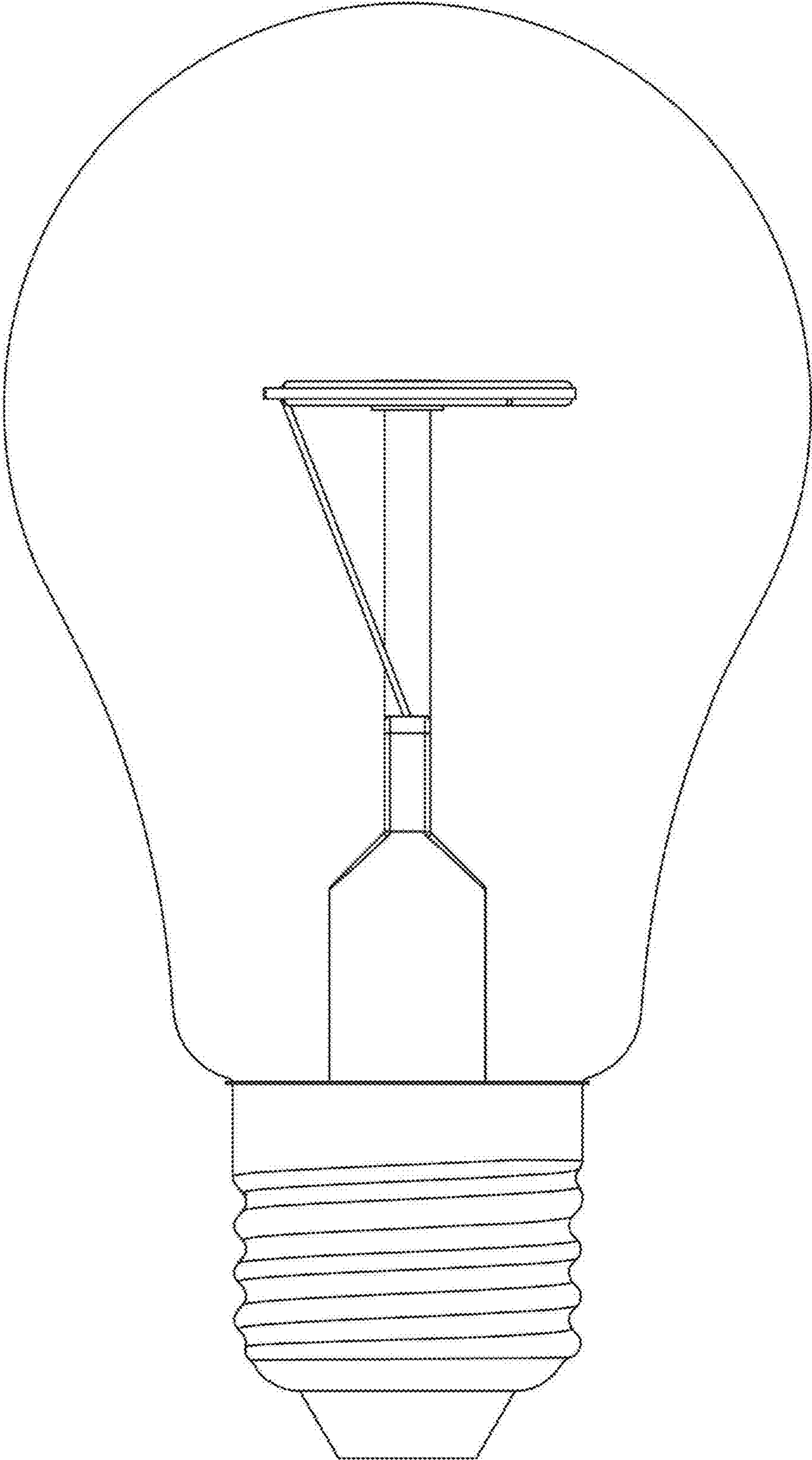


FIG. 4

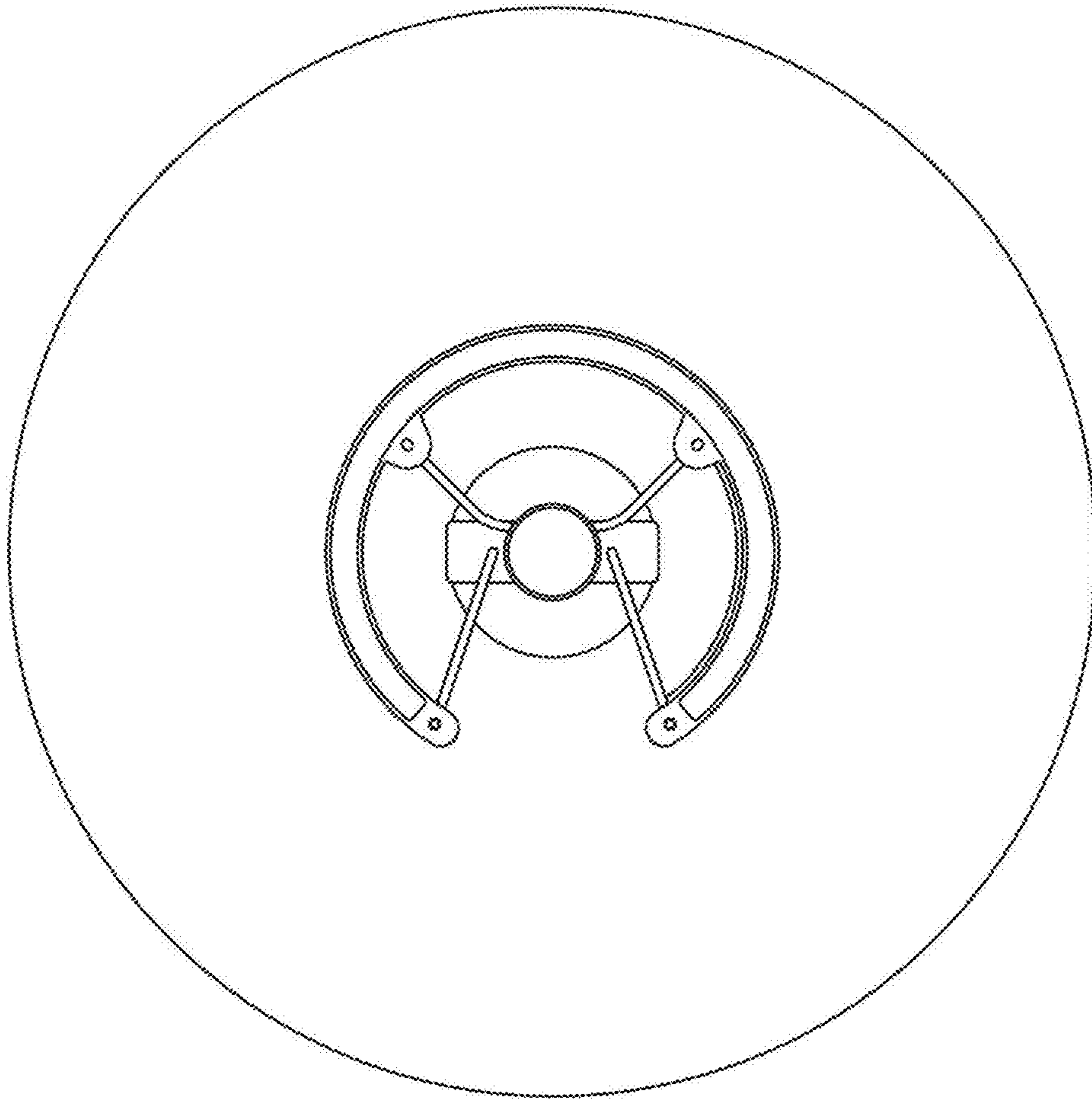


FIG. 5

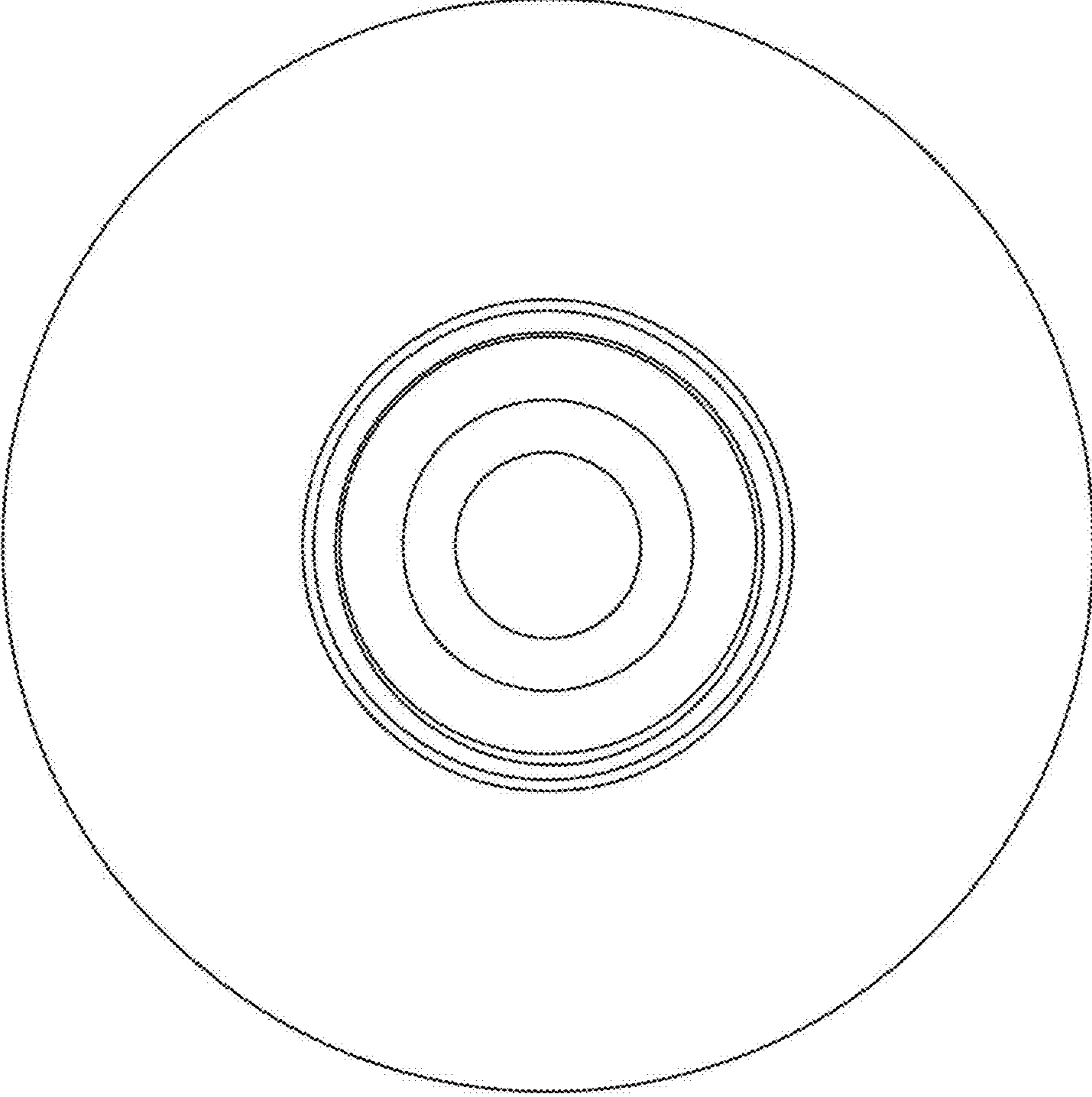


FIG. 6

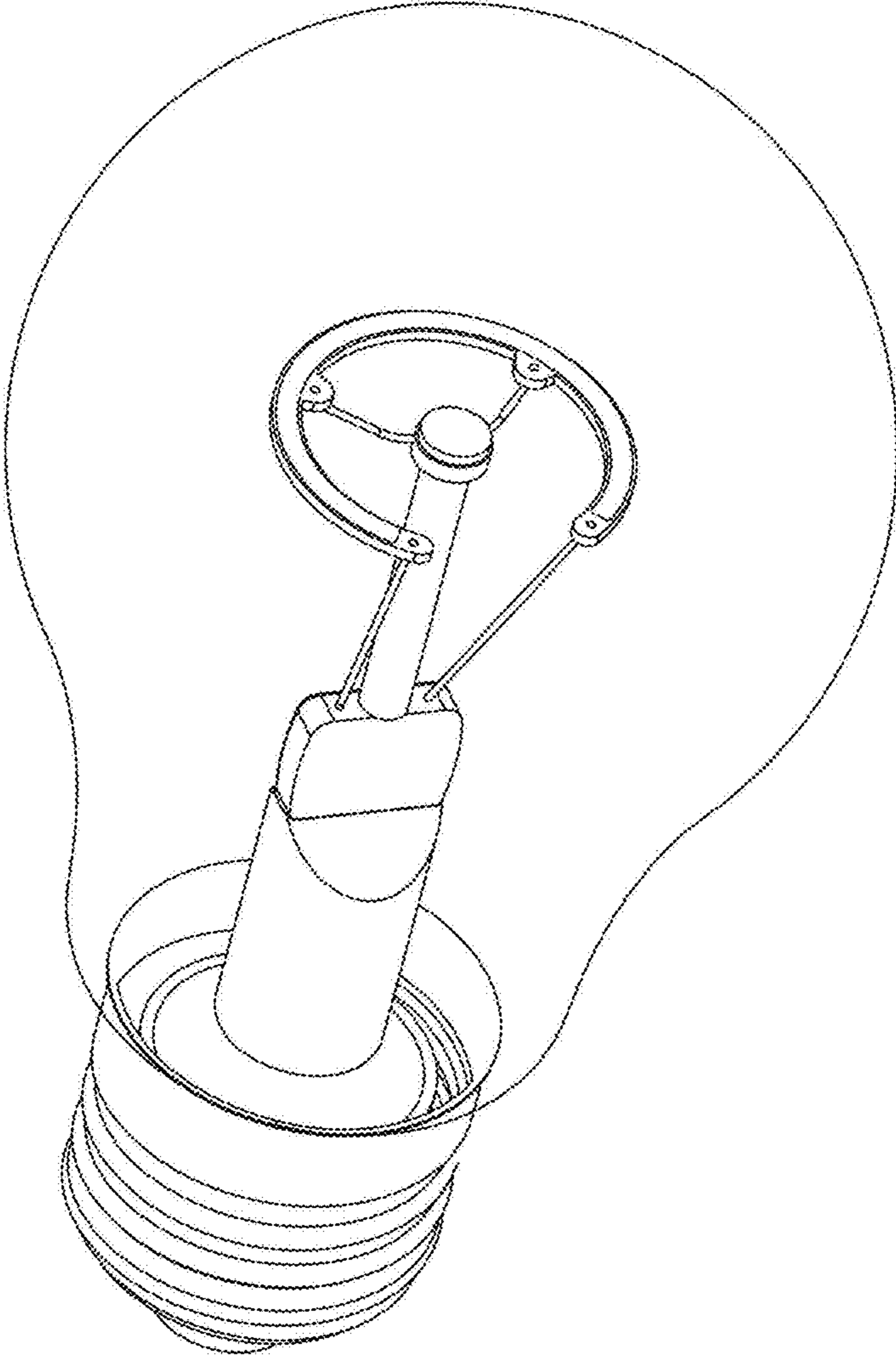


FIG. 7