

US00D793580S

(12) **United States Design Patent** (10) **Patent No.:** **US D793,580 S**  
**Staton** (45) **Date of Patent:** **\*\* Aug. 1, 2017**

(54) **INSERT FOR POSITIONING AGAINST A WINDOW PANE**

(71) Applicant: **Fielding B. Staton**, Liberty, MO (US)

(72) Inventor: **Fielding B. Staton**, Liberty, MO (US)

(73) Assignee: **Newtonoid Technologies, L.L.C.**, Liberty, MO (US)

(\*\*) Term: **15 Years**

(21) Appl. No.: **29/531,594**

(22) Filed: **Jun. 26, 2015**

(51) **LOC (10) Cl.** ..... **25-02**

(52) **U.S. Cl.**  
USPC ..... **D25/60; D25/48.7**

(58) **Field of Classification Search**  
USPC ..... D8/382; D25/48.7, 48.8, 60, 61; 49/501;  
52/456, 665, 668  
CPC ..... E04B 9/14; E06B 3/6604; E06B 3/667;  
E06B 3/67321; E06B 3/685; E06B  
3/67326; B60J 1/2094  
See application file for complete search history.

(56) **References Cited**

**U.S. PATENT DOCUMENTS**

- 3,386,590 A \* 6/1968 Gretz ..... F21V 35/00  
211/182
- 3,398,497 A \* 8/1968 Hellmich ..... E04F 15/14  
52/318
- 3,785,110 A \* 1/1974 Galloway ..... E04B 9/14  
403/173
- 3,787,130 A \* 1/1974 Hemmings ..... B62D 27/023  
403/205
- 3,913,293 A \* 10/1975 Bischoff, Jr. .... E06B 3/685  
52/222

(Continued)

**FOREIGN PATENT DOCUMENTS**

GB 1022131 \* 3/1985

**OTHER PUBLICATIONS**

Allmetal Intersects, Components, Intersects, Contour Muntin Bar, <http://www.allmetalinc.com/Components/Intersects.aspx#>, dated Sep. 23, 2015, 4 pages.

*Primary Examiner* — Susan Bennett Hattan

*Assistant Examiner* — Leanne Was-Englehart

(74) *Attorney, Agent, or Firm* — Lathrop & Gage L.L.P.

(57) **CLAIM**

The ornamental design for an insert for positioning against a window pane, as shown and described.

**DESCRIPTION**

FIG. 1 is a perspective view of an insert for positioning against a window pane showing the new design in use with a window.

FIG. 2 is a close up perspective view of the insert for positioning against a window pane of FIG. 1.

FIG. 3 is a front view of the insert for positioning against a window pane of FIG. 1.

FIG. 4 is a back view of the insert for positioning against a window pane of FIG. 1.

FIG. 5 is a right side view of the insert for positioning against a window pane of FIG. 1.

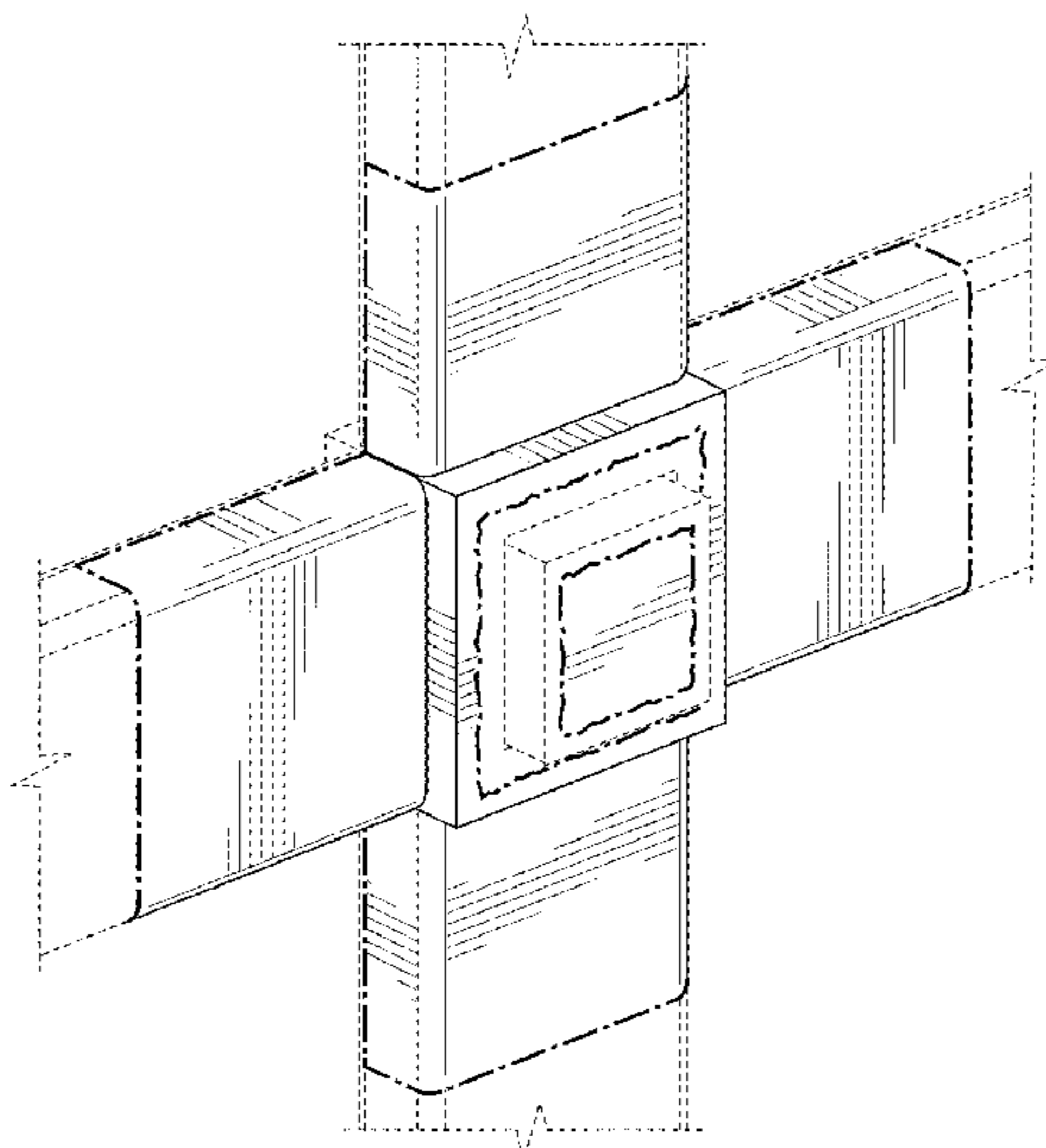
FIG. 6 is a left side view of the insert for positioning against a window pane of FIG. 1.

FIG. 7 is a top view of the insert for positioning against a window pane of FIG. 1; and,

FIG. 8 is a bottom view of the insert for positioning against a window pane of FIG. 1.

The broken lines in the drawings depict environmental subject matter only and form no part of the claimed design. The dash-dot lines in the drawings are unclaimed boundary lines and form no part of the claimed design. The subject matter between the staggered boundary lines in the drawings forms no part of the claimed design. Surface shading shows contour.

**1 Claim, 5 Drawing Sheets**



(56)

**References Cited**

U.S. PATENT DOCUMENTS

4,055,930 A \* 11/1977 Weinar ..... E04B 9/064  
52/287.1  
4,060,950 A \* 12/1977 Rackard ..... E06B 3/685  
52/456  
D256,729 S \* 9/1980 Carlson ..... D25/136  
4,639,261 A \* 1/1987 Pittman ..... B01D 46/10  
156/329  
D288,244 S \* 2/1987 Schmidt ..... D25/119  
5,239,801 A \* 8/1993 Adams ..... E04B 9/0478  
52/506.07  
D357,544 S \* 4/1995 Spransy ..... D25/119  
D380,054 S \* 6/1997 Littlejohn ..... D25/61  
6,708,384 B2 \* 3/2004 McGlinchy ..... B21C 37/155  
29/33 P  
2015/0330138 A1 \* 11/2015 Staton ..... E06B 3/68  
52/173.1  
2016/0040743 A1 \* 2/2016 Staton ..... F16F 13/005  
2/412

\* cited by examiner

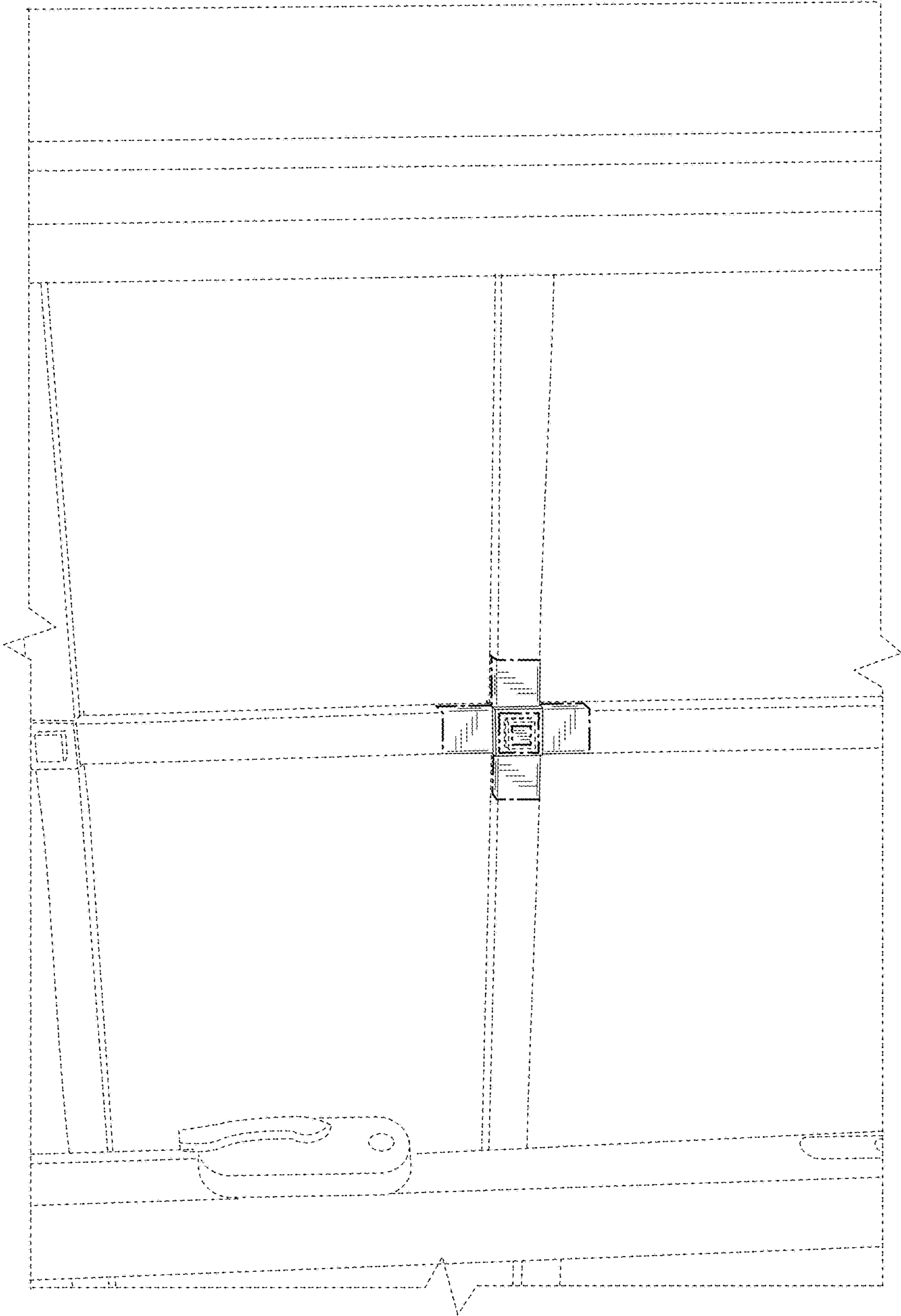


FIG. 1

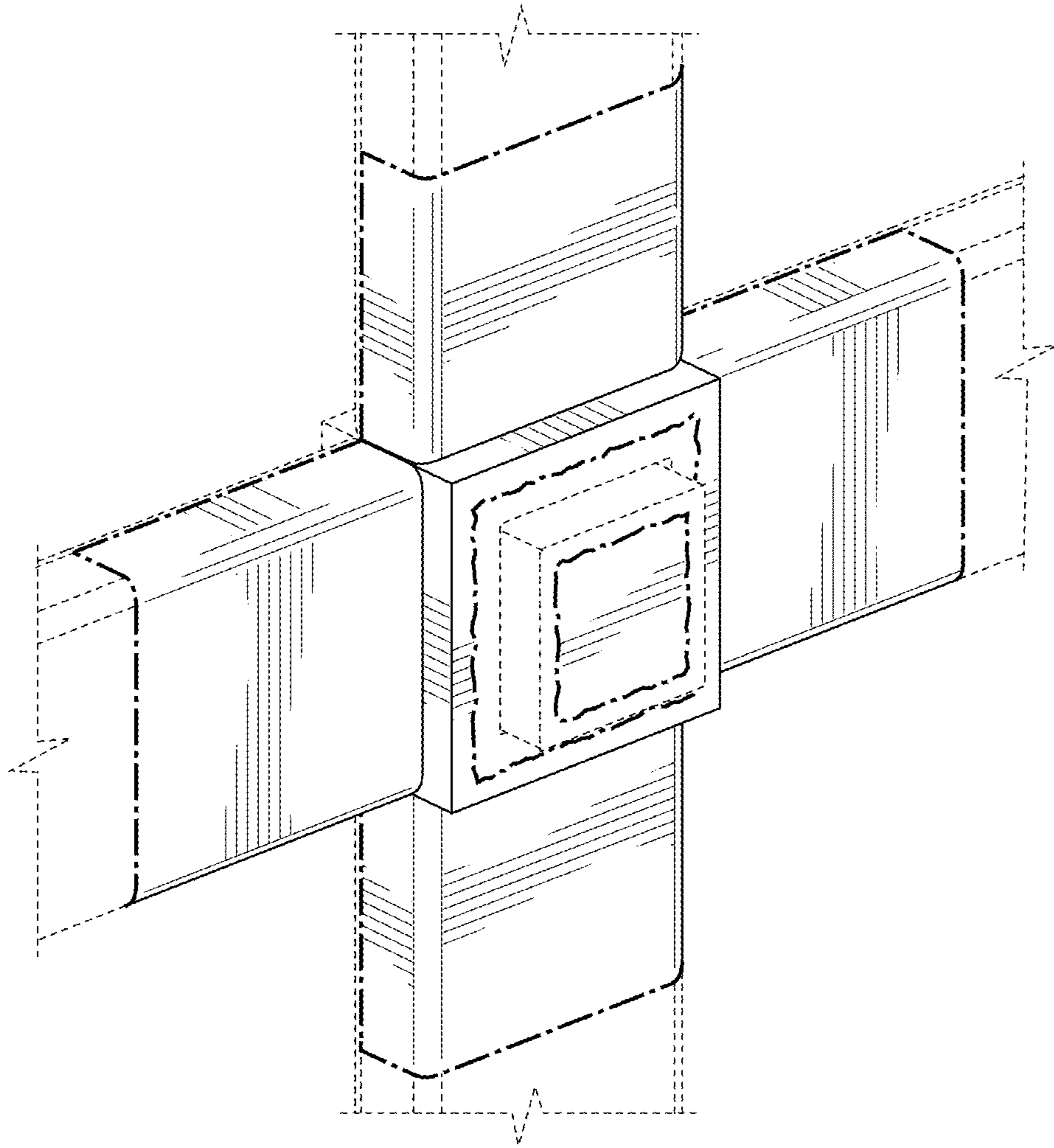
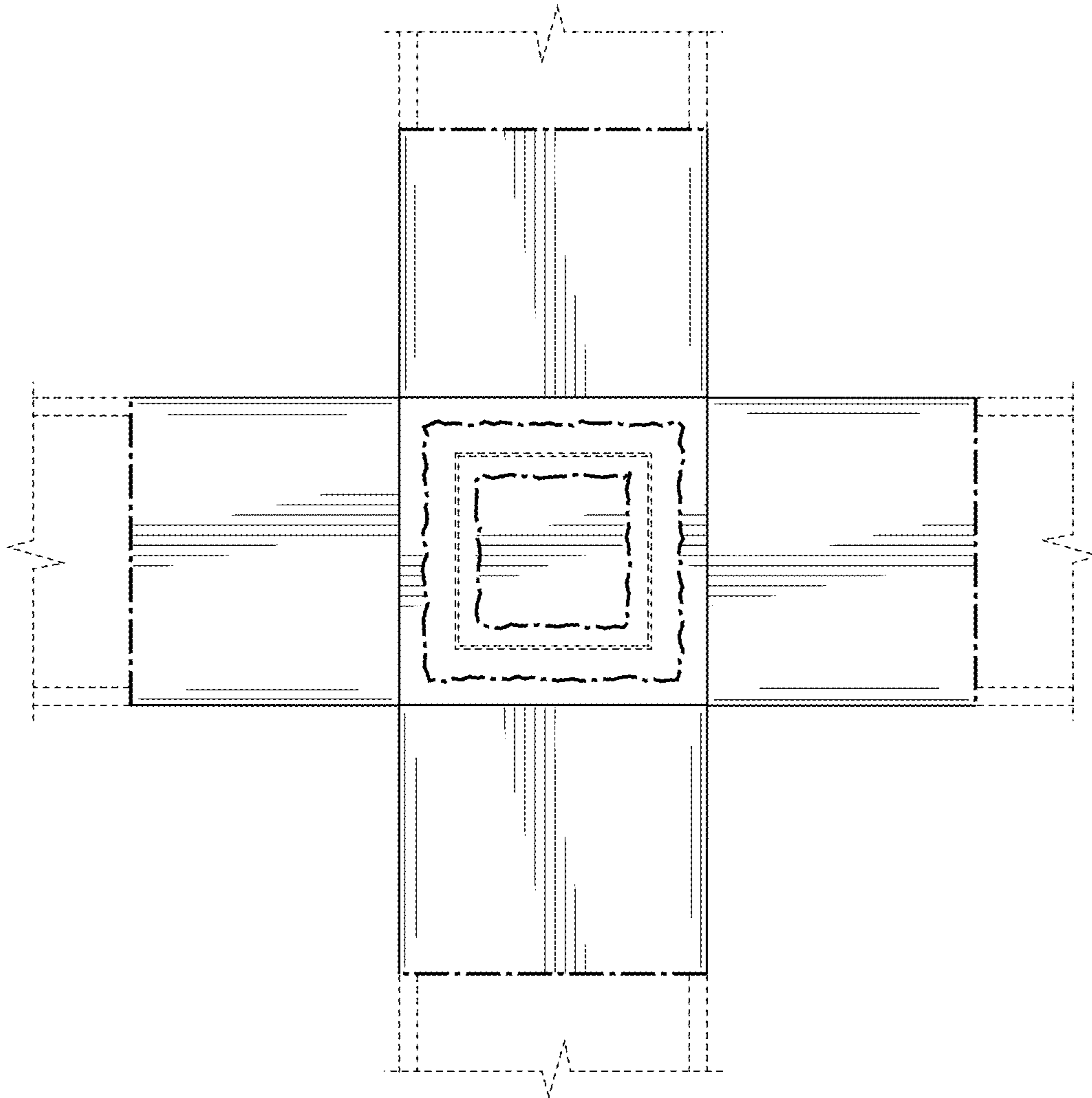
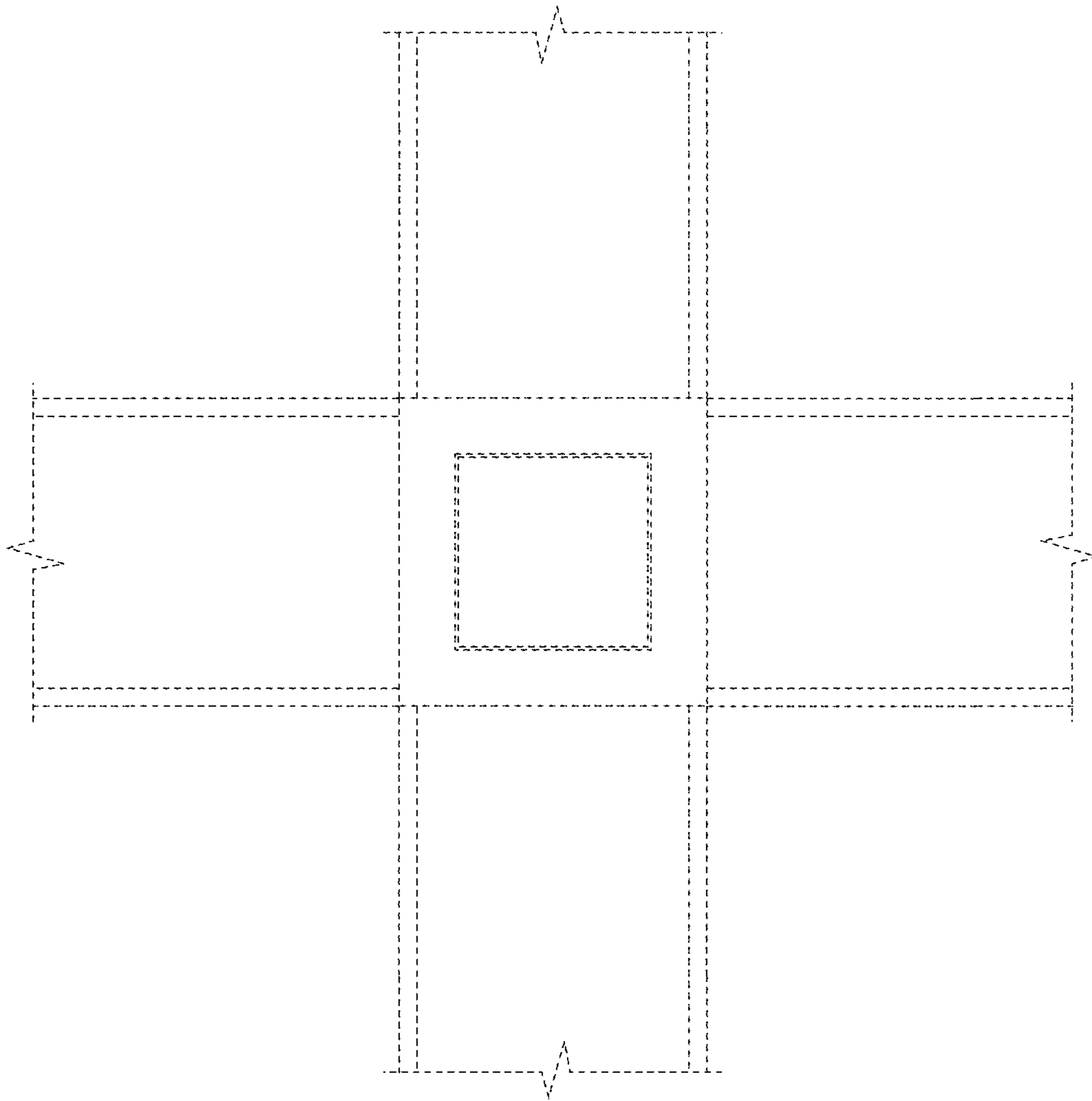


FIG. 2



**FIG. 3**



**FIG. 4**

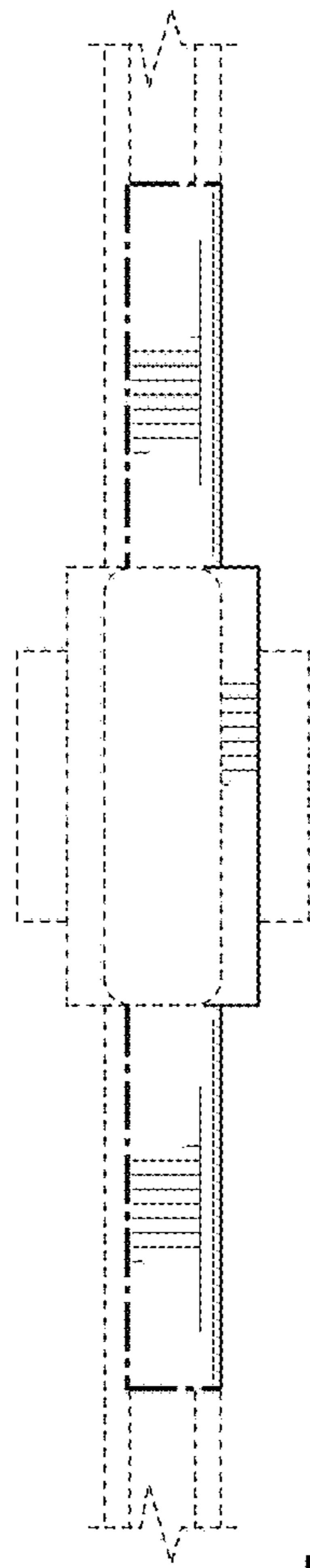


FIG. 5

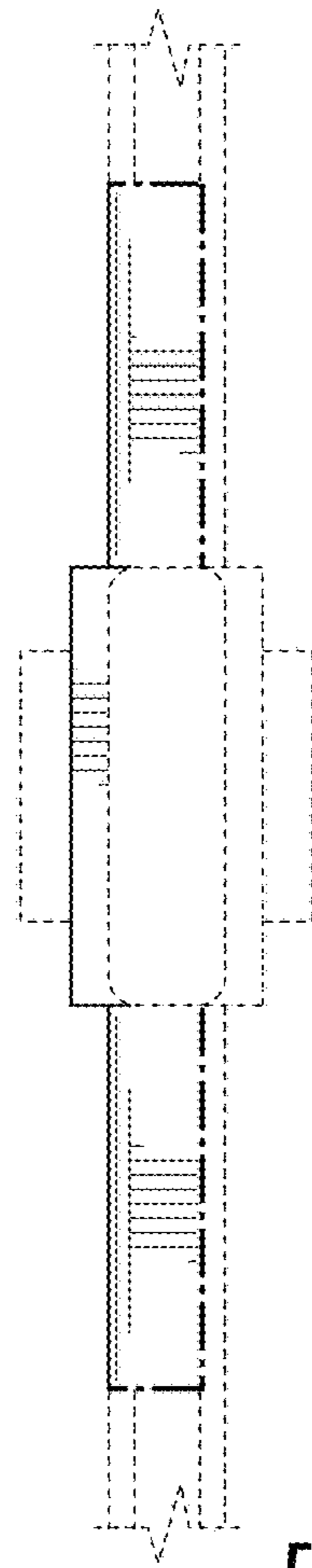


FIG. 6

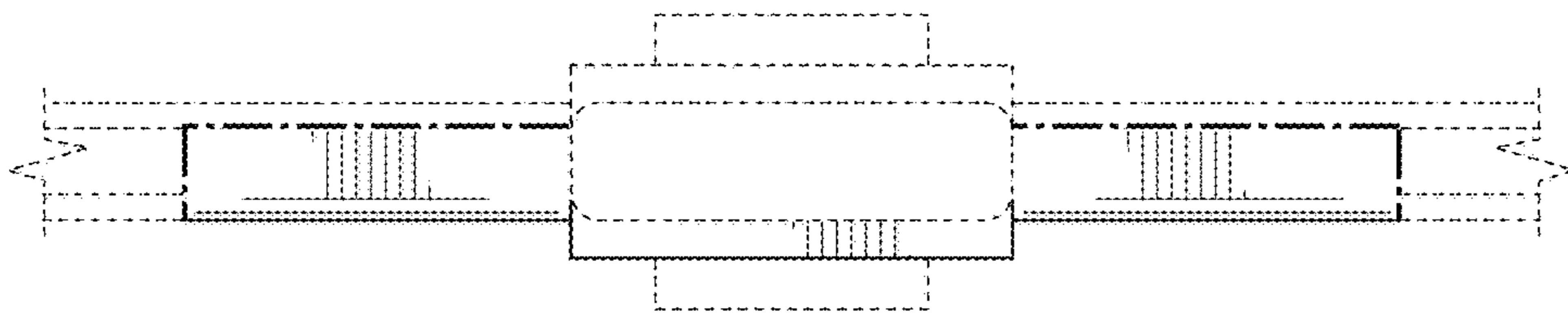


FIG. 7

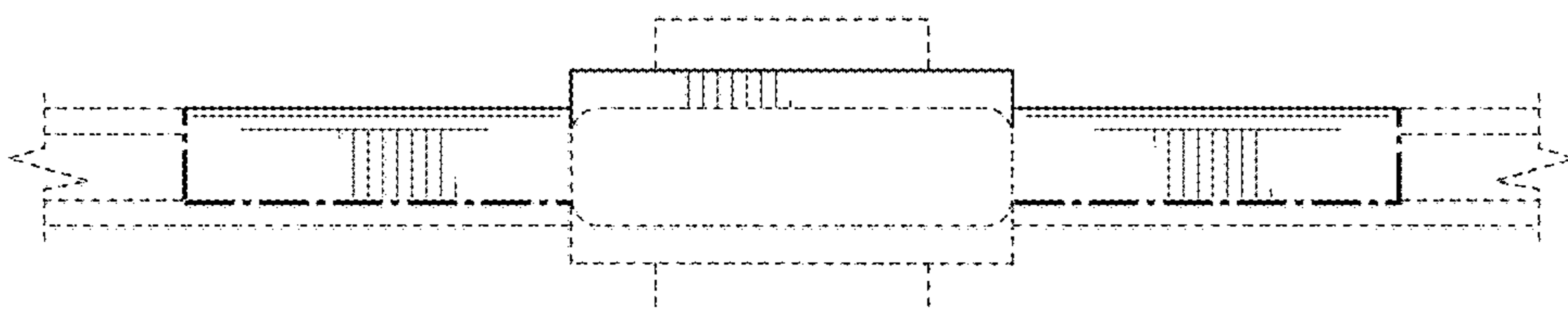


FIG. 8