



US00D793579S

(12) **United States Design Patent** (10) **Patent No.:** **US D793,579 S**
Kristensen (45) **Date of Patent:** **** Aug. 1, 2017**

(54) **DIFFUSER FOR TUBULAR SKYLIGHT**

FOREIGN PATENT DOCUMENTS

(71) Applicant: **VKR Holding A/S**, Horsholm (DK)

KR 300656219.0000 * 8/2012

KR 300742975.0000 * 5/2014

(72) Inventor: **Kristian Nitzsch Kristensen**, Galten (DK)

WO WO2006076941 7/2006

(73) Assignee: **VKR Holding A/S** (DK)

OTHER PUBLICATIONS

(**) Term: **15 Years**

<https://www.youtube.com/watch?v=rzNoa7wJRSI> Posted Jul. 4, 2016.*

(21) Appl. No.: **29/530,621**

Primary Examiner — Susan Bennett Hattan

(22) Filed: **Jun. 18, 2015**

Assistant Examiner — Leanne Was-Englehart

(30) **Foreign Application Priority Data**

(74) *Attorney, Agent, or Firm* — Merek, Blackmon & Voorhees, LLC

Jan. 30, 2015 (EM) 002623900

(51) **LOC (10) Cl.** **25-02**

(52) **U.S. Cl.**
USPC **D25/48.7**

(58) **Field of Classification Search**
USPC D25/48.7, 60, 199; D26/118; 428/34;
52/58, 173.3, 200, DIG. 17; 359/599
CPC E04D 13/03; E04D 13/033; E04D
2013/0345; G02B 5/0278; G02B 26/0808;
E04B 9/32; F21S 11/00
See application file for complete search history.

(57) **CLAIM**

The ornamental design for a diffuser for tubular skylight, as shown and described.

(56) **References Cited**

DESCRIPTION

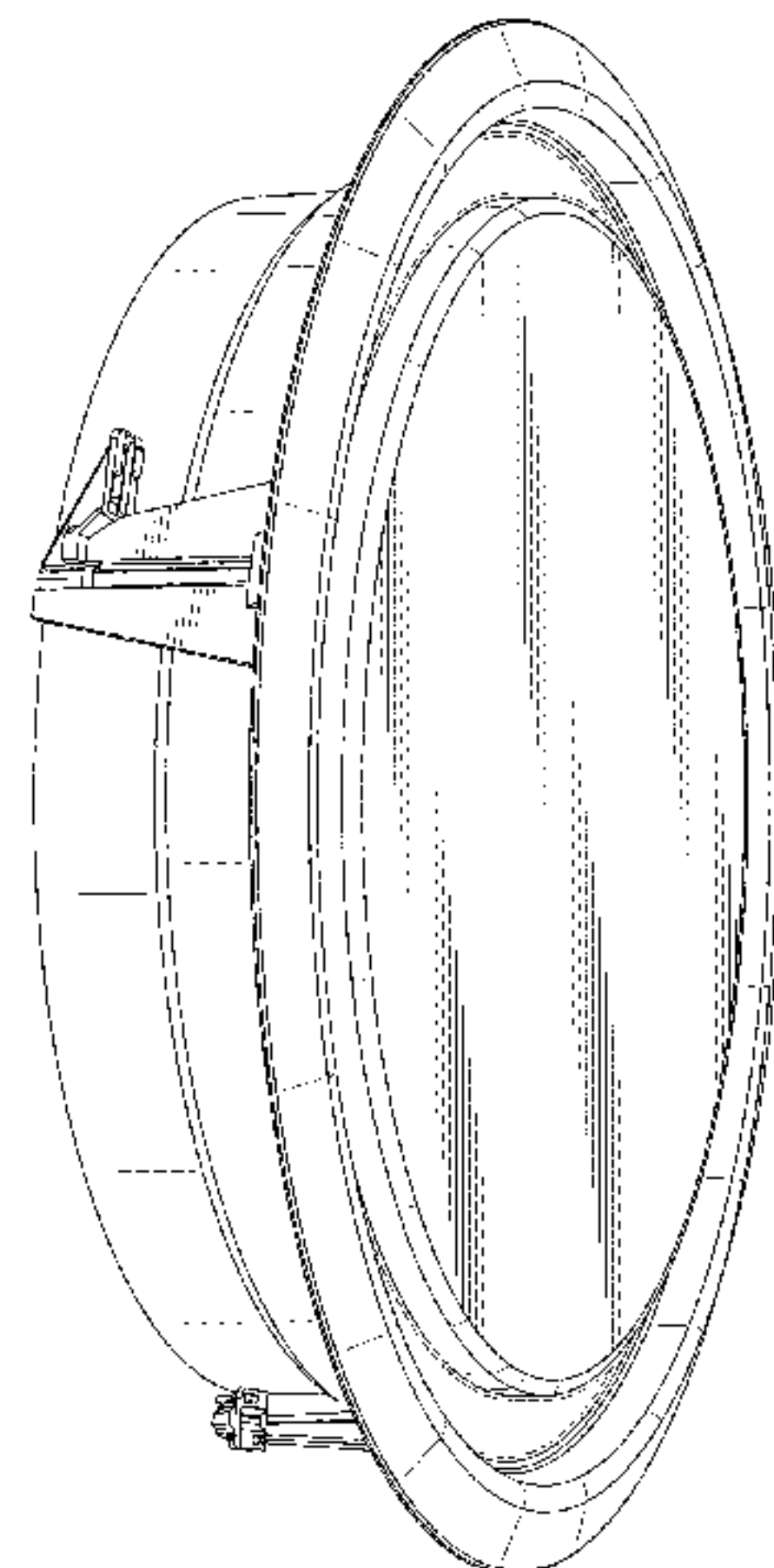
U.S. PATENT DOCUMENTS

- 3,232,807 A * 2/1966 Butcher B29C 70/12
156/212
- D321,258 S * 10/1991 St-Hilaire D25/48.7
- D382,347 S * 8/1997 Grubb D25/48.7
- D387,430 S * 12/1997 Takazawa D25/48.7
- D396,301 S * 7/1998 Fujimoto D25/48.7
- D475,802 S * 6/2003 Homann D26/118
- D488,251 S * 4/2004 Benghozi D26/118
- D488,252 S * 4/2004 Benghozi D26/118
- D488,583 S * 4/2004 Benghozi D26/118
- 7,234,279 B2 * 6/2007 Sincic E04D 13/03
52/173.3
- D557,817 S * 12/2007 Verfuert D25/48.7
- D581,089 S * 11/2008 St-Hilaire D26/118

FIG. 1 is a front perspective view of a first embodiment of my new design for a diffuser for tubular skylight; FIG. 2 is a side elevational view of the embodiment depicted in FIG. 1; FIG. 3 is a front plan view of the embodiment depicted in FIG. 1; FIG. 4 is a back perspective view of the embodiment depicted in FIG. 1; and, FIG. 5 is a back plan view of the embodiment depicted in FIG. 1; and, FIG. 6 is a front perspective view of a second embodiment of my new design for a diffuser for tubular skylight. FIG. 6 is identical to FIG. 1 with the only exception being the lines added to FIG. 6 to show reflective surfaces. All other aspects of this second embodiment are identical to the embodiment disclosed in FIG. 1 through FIG. 5.

(Continued)

1 Claim, 6 Drawing Sheets



(56)

References Cited

U.S. PATENT DOCUMENTS

D600,617 S * 9/2009 Scoley D12/345
D617,007 S * 6/2010 Kjærgaard D25/48.7
8,376,600 B2 * 2/2013 Bartol E04D 13/03
359/597
8,453,389 B2 * 6/2013 Selke E04D 13/1476
52/58
8,555,571 B2 * 10/2013 Darmer E04B 9/32
52/200
2004/0000107 A1 * 1/2004 Landis E04D 13/03
52/200
2005/0166490 A1 * 8/2005 Darmer E04B 9/32
52/200
2006/0101741 A1 * 5/2006 Rae E04B 9/32
52/220.1
2007/0068096 A1 * 3/2007 O'Hagin E04D 1/30
52/200
2007/0074468 A1 * 4/2007 Jaster E04D 13/03
52/200
2008/0207108 A1 * 8/2008 Moller E04D 13/0325
454/199
2012/0236572 A1 * 9/2012 Negley G02B 1/041
362/311.02
2013/0188261 A1 * 7/2013 Mosher G02B 26/0808
359/640
2016/0153194 A1 * 6/2016 Kristensen E04D 13/033
52/200

* cited by examiner

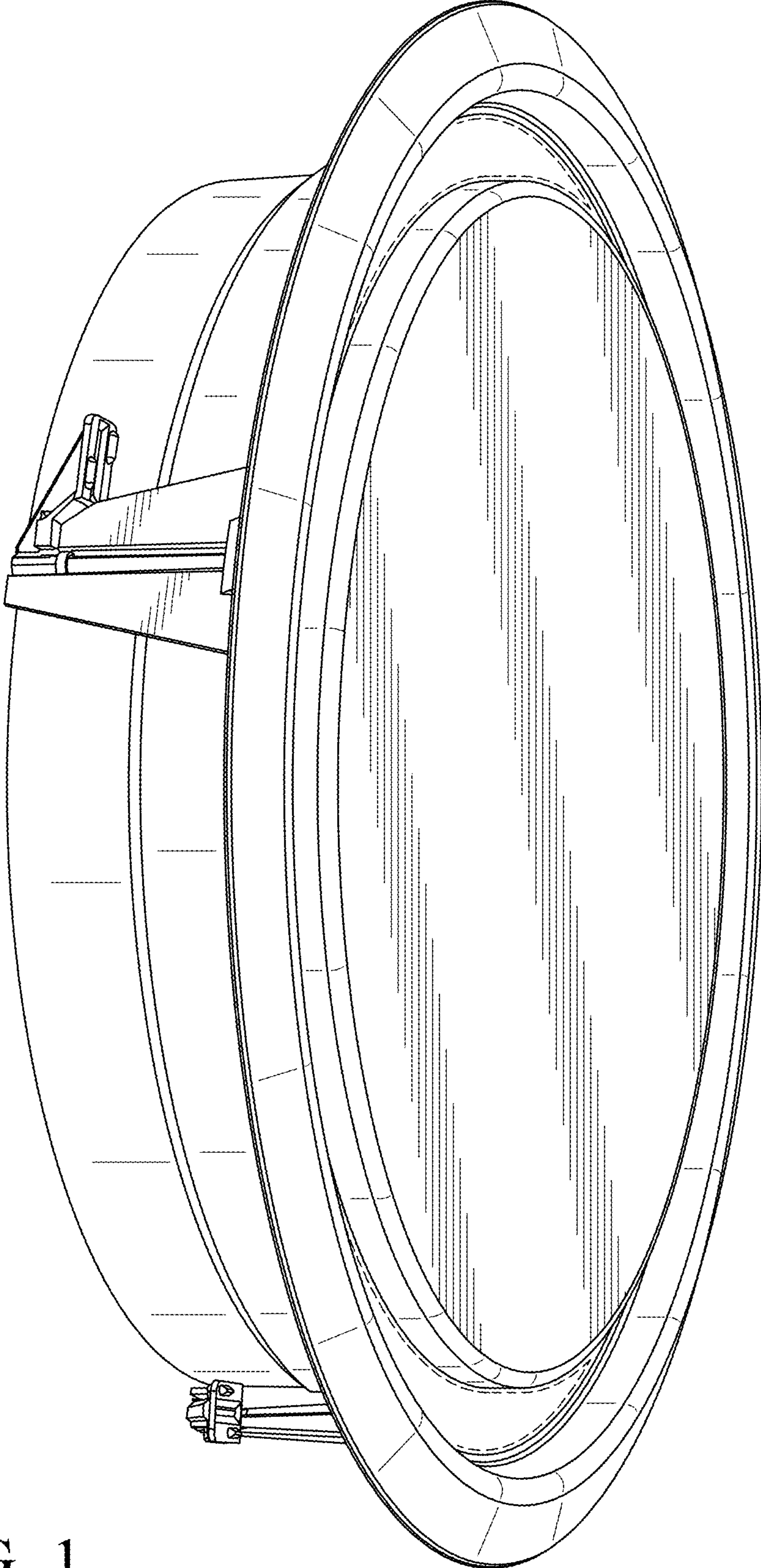


FIG. 1

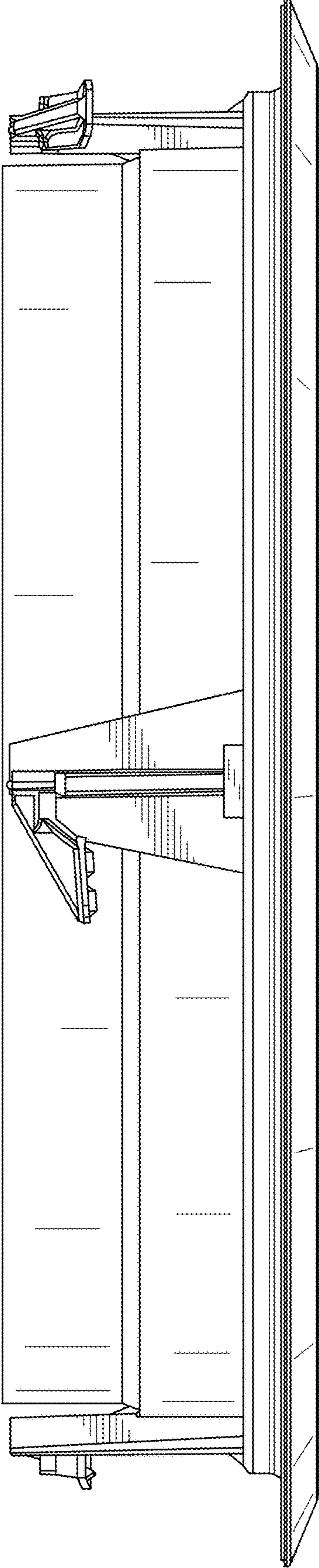


FIG. 2

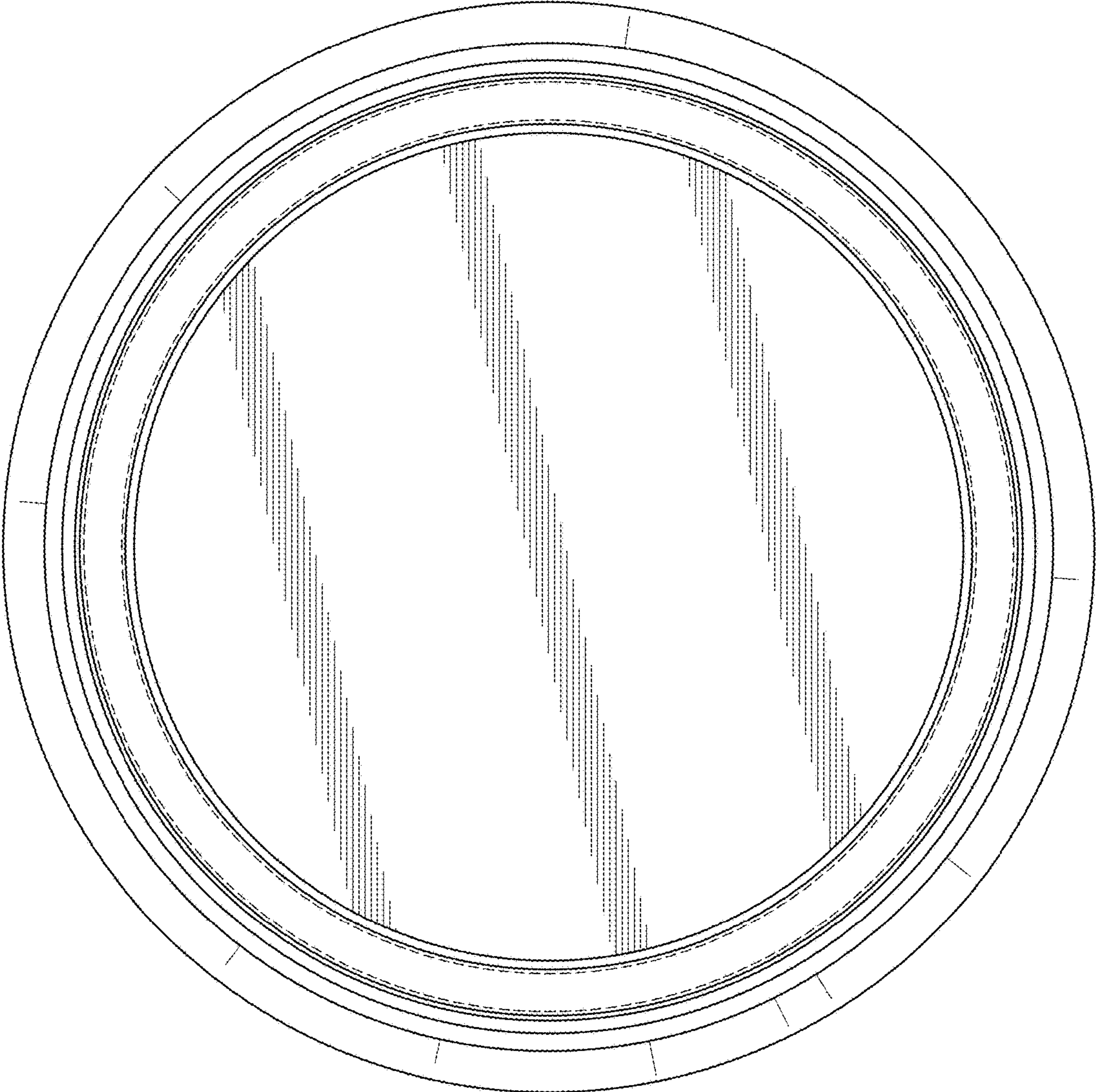


FIG. 3

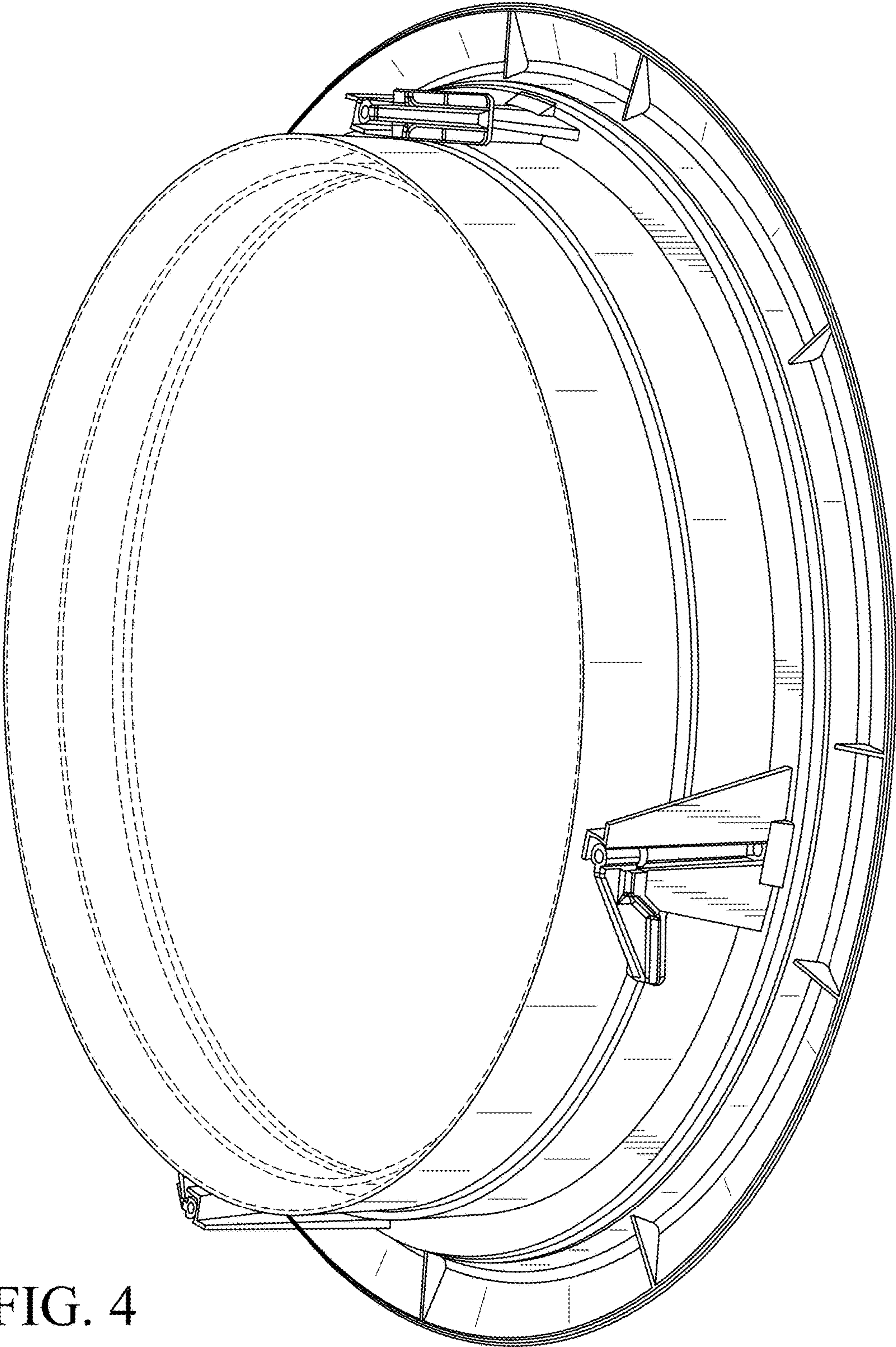


FIG. 4

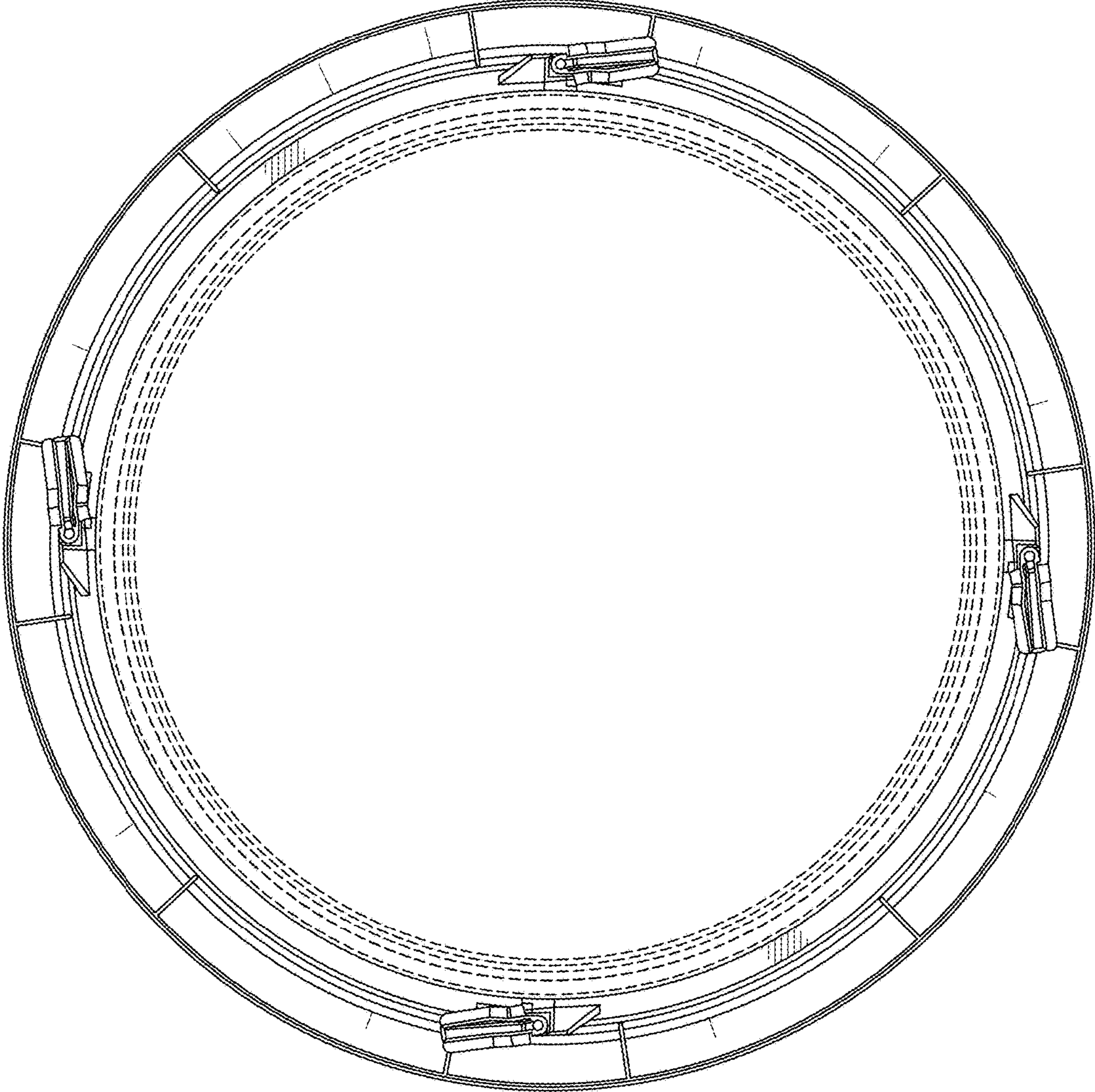


FIG. 5

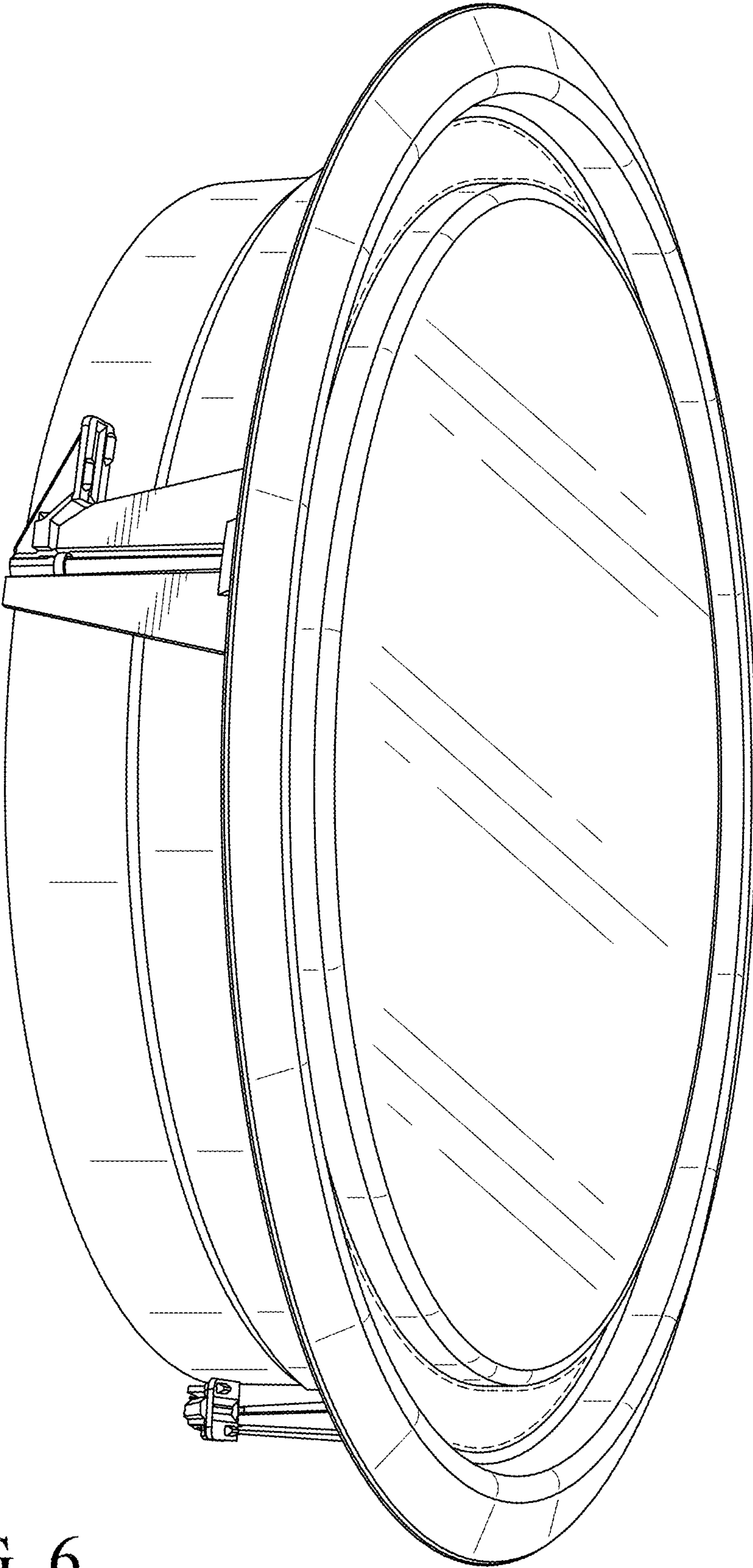


FIG. 6