



US00D793575S

(12) **United States Design Patent**
Lin et al.

(10) **Patent No.:** **US D793,575 S**
(45) **Date of Patent:** **** Aug. 1, 2017**

(54) **POOL WITH A SPA**
(71) Applicant: **Intex Recreation Corporation**, Long Beach, CA (US)
(72) Inventors: **Hua Hsiang Lin**, Xiamen (CN); **Yaw Yuan Hsu**, Xiamen (CN)
(73) Assignee: **Intex Marketing Ltd.**, Tortola (VG)
(**) Term: **15 Years**
(21) Appl. No.: **29/531,114**
(22) Filed: **Jun. 23, 2015**

3,530,512 A * 9/1970 McBride E04H 4/0031
52/169.7
3,604,018 A * 9/1971 Moran A47K 3/006
D25/2
D239,702 S * 4/1976 Bukaitz D25/2
3,988,787 A 11/1976 Colee
4,001,899 A * 1/1977 Mathis E04H 4/144
4/505
D266,698 S * 10/1982 Topete D23/277
D266,946 S * 11/1982 Topete D24/204
D266,947 S * 11/1982 Topete D23/277
D269,813 S * 7/1983 Topete D23/280.1
4,935,970 A 6/1990 Aristone
D379,684 S * 6/1997 Dennis D30/130
(Continued)

(30) **Foreign Application Priority Data**
Dec. 23, 2014 (CN) 2014 2 0824790
(51) **LOC (10) Cl.** **25-03**
(52) **U.S. Cl.**
USPC **D25/2; D24/204**
(58) **Field of Classification Search**
USPC D25/2; D23/277-280.1, 304;
D24/201-205; D30/101, 15, 129, 130;
52/169.7; 4/499, 506, 494, 505, 507,
4/510, 513; D12/316; D21/803, 815
CPC B23C 2009/042
See application file for complete search history.

(56) **References Cited**
U.S. PATENT DOCUMENTS
755,747 A * 3/1904 Coile E04H 4/0025
4/588
2,689,812 A * 9/1954 Mollica B29D 22/02
4/506
2,846,694 A * 8/1958 Wallace E04H 4/00
D25/2
3,225,362 A * 12/1965 Barrera E04H 4/0018
4/506
3,274,621 A * 9/1966 Diamond E04H 4/00
52/169.7

OTHER PUBLICATIONS

Intex, Kiddie Castle Play Center (#56461), 2004, p. 55.
(Continued)

Primary Examiner — Susan Bennett Hattan
Assistant Examiner — Brett Miller
(74) *Attorney, Agent, or Firm* — Faegre Baker Daniels
LLP

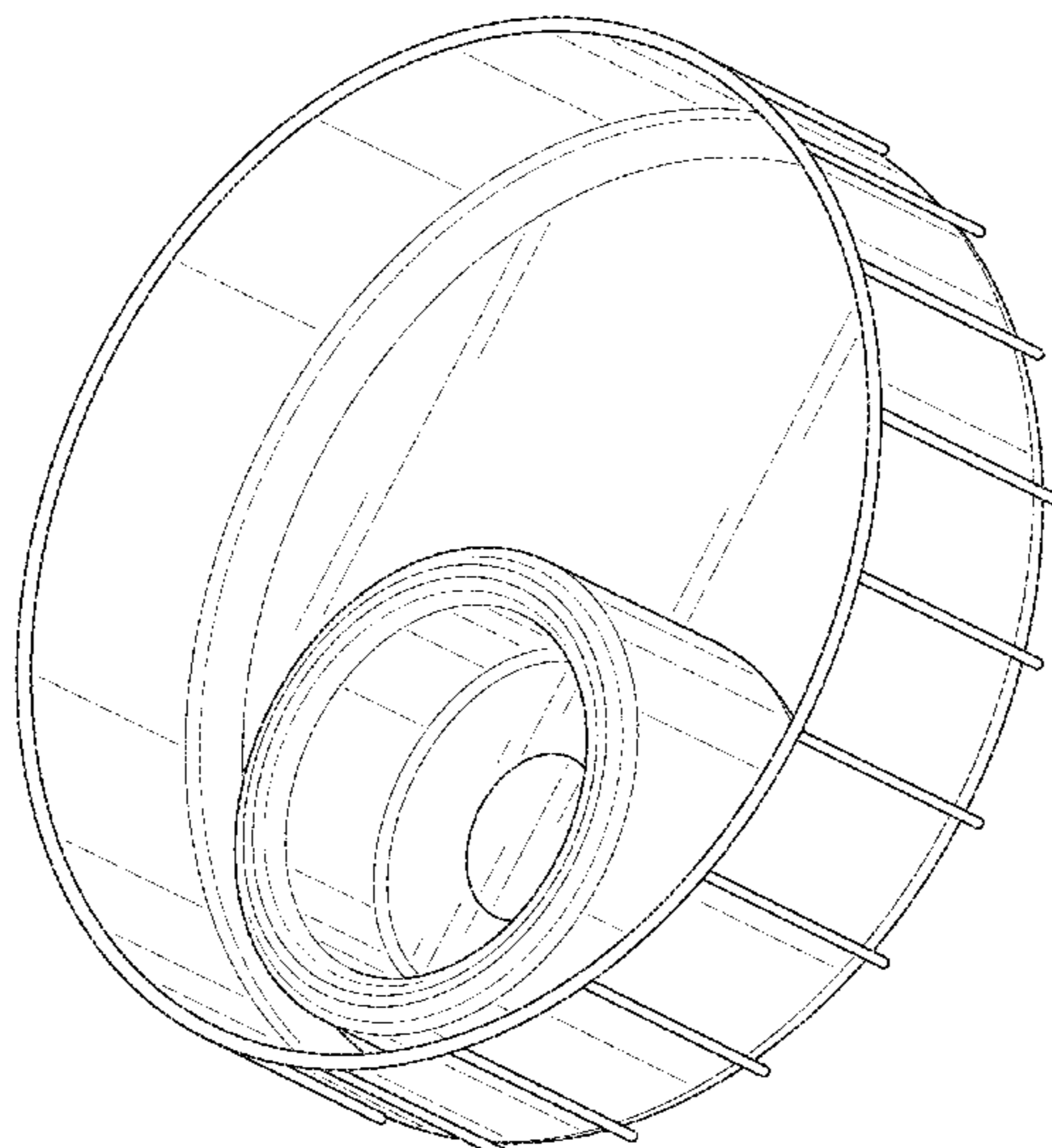
(57) **CLAIM**

We claim the ornamental design for the pool with a spa, as shown and described.

DESCRIPTION

FIG. 1 is a front perspective view of a pool with a spa of the present application;
FIG. 2 is a top view of the pool with a spa of FIG. 1;
FIG. 3 is a bottom view of the pool with a spa of FIG. 1;
FIG. 4 is a front view of the pool with a spa of FIG. 1;
FIG. 5 is a rear view of the pool with a spa of FIG. 1;
FIG. 6 is a side view of the pool with a spa of FIG. 1; and,
FIG. 7 is an opposite side view of the pool with a spa of FIG. 1.

1 Claim, 5 Drawing Sheets



(56)

References Cited

U.S. PATENT DOCUMENTS

5,720,056 A * 2/1998 Aymes E04H 4/005
 4/488
 5,884,347 A * 3/1999 Yurchision E04H 4/0043
 4/488
 D408,550 S * 4/1999 Sullivan D25/2
 D434,826 S * 12/2000 Hsu D21/815
 6,742,198 B2 6/2004 Lee
 D512,801 S * 12/2005 Kratzer D30/130
 D573,717 S * 7/2008 Sullivan D25/2
 D709,654 S * 7/2014 Lipscomb D30/121
 D753,318 S * 4/2016 Kweiler D25/2
 2004/0045613 A1 3/2004 Hinojosa, Jr. et al.
 2005/0194082 A1* 9/2005 Wedi E04H 4/0037
 156/71
 2007/0039091 A1* 2/2007 Foy E04H 4/144
 4/488
 2015/0315804 A1* 11/2015 Liu E04H 4/14
 4/506

OTHER PUBLICATIONS

Intex, Playground Pool (#58466), 2000, p. 46.
 Intex, Crystal Blue Pool (#59416), 2000, p. 40.
 Intex, Kiddie Pool (#56468), 2000, p. 39.
 Intex, Ultra Frame™ Pool Owner's Manual, 2011, p. 1.
 Owner's Manual for Cal Spas, Jan. 5, 2015, 60 pages.
 JD Controls, "Four Way Ball Valves," available online at https://web.archive.org/web/20141015114129/http://jdvalves.com/four_way_ball_valves.htm, archived Oct. 15, 2014, 3 pages.
 International Search Report and Written Opinion in PCT/US2015/00216, May 13, 2016, 15 pages.

* cited by examiner

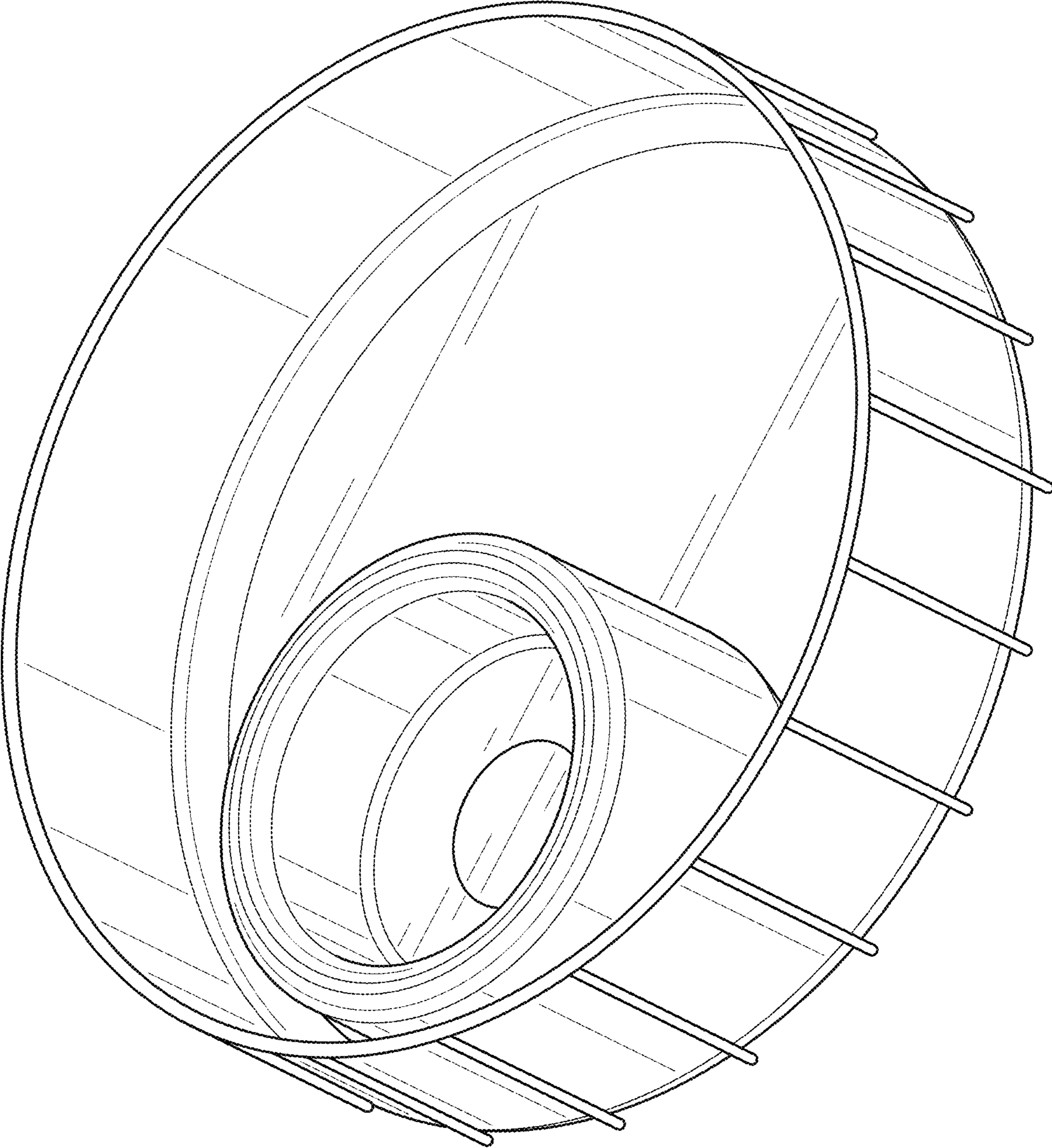


FIG. 1

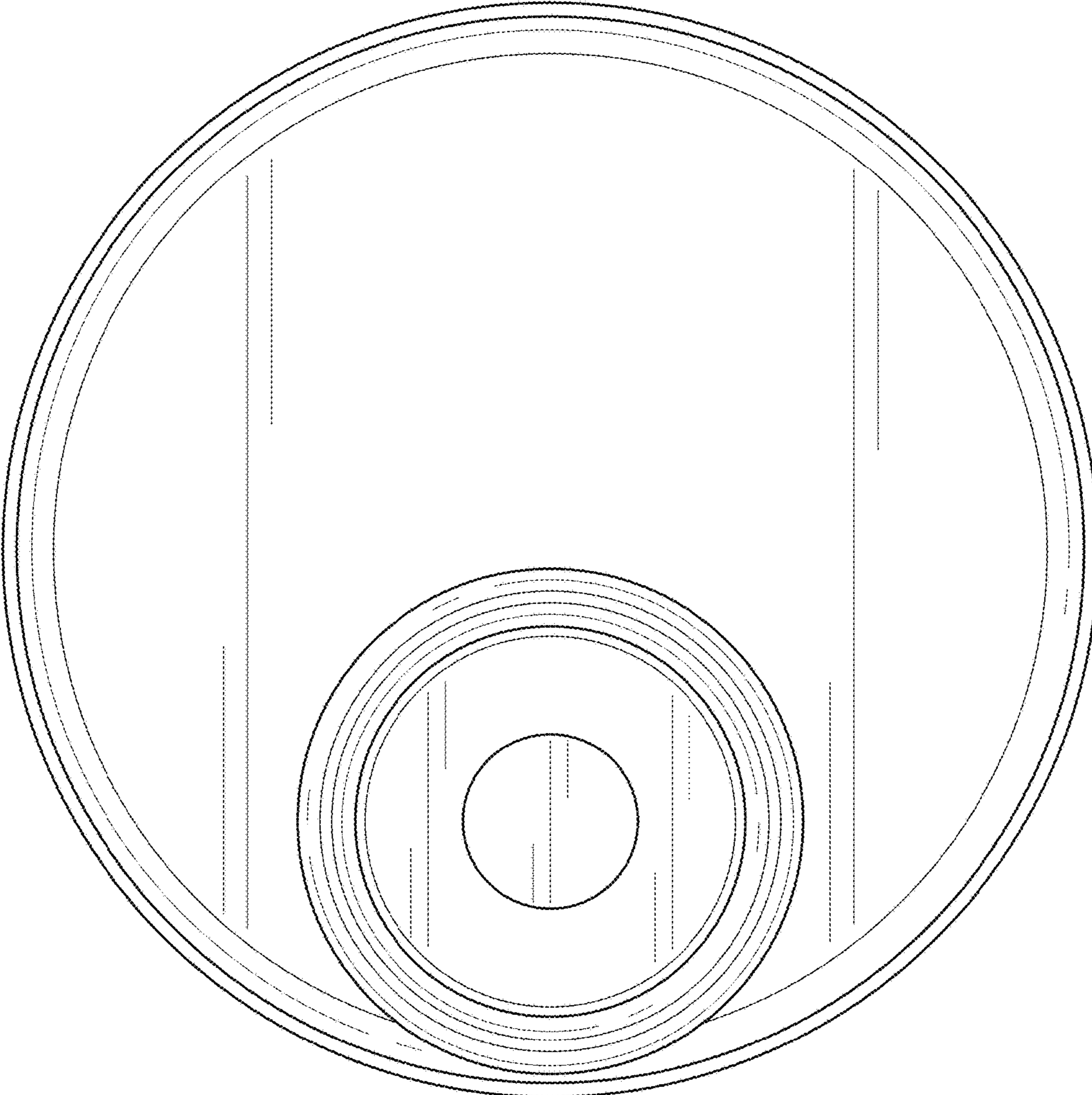


FIG. 2

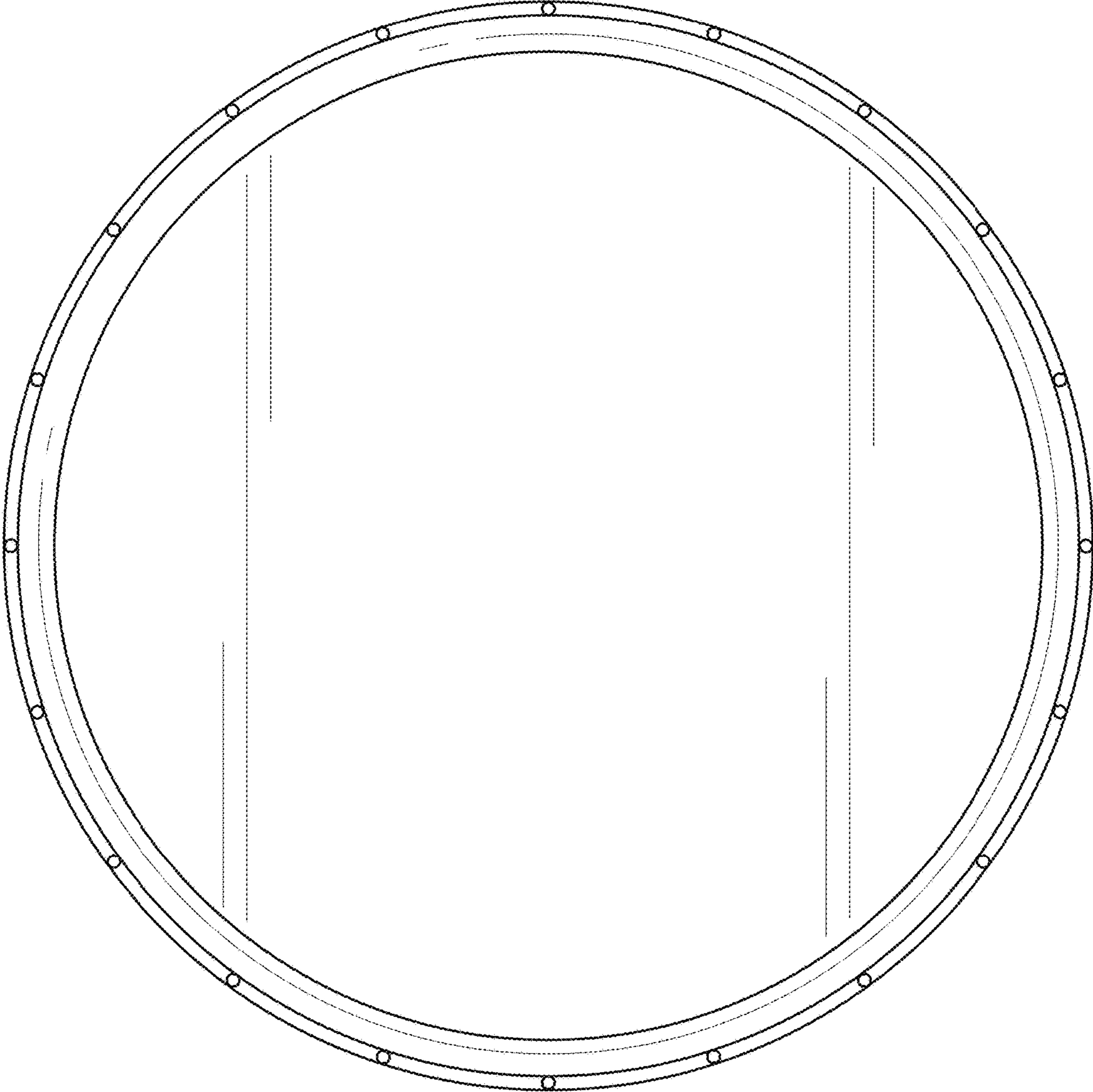


FIG. 3

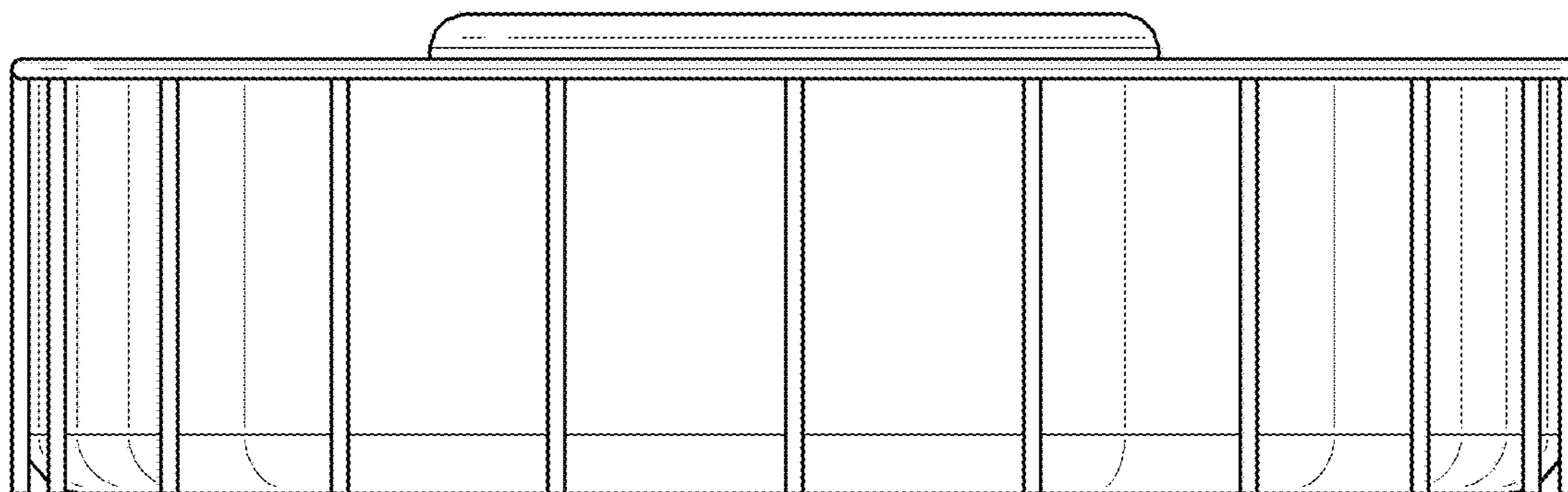


FIG. 4

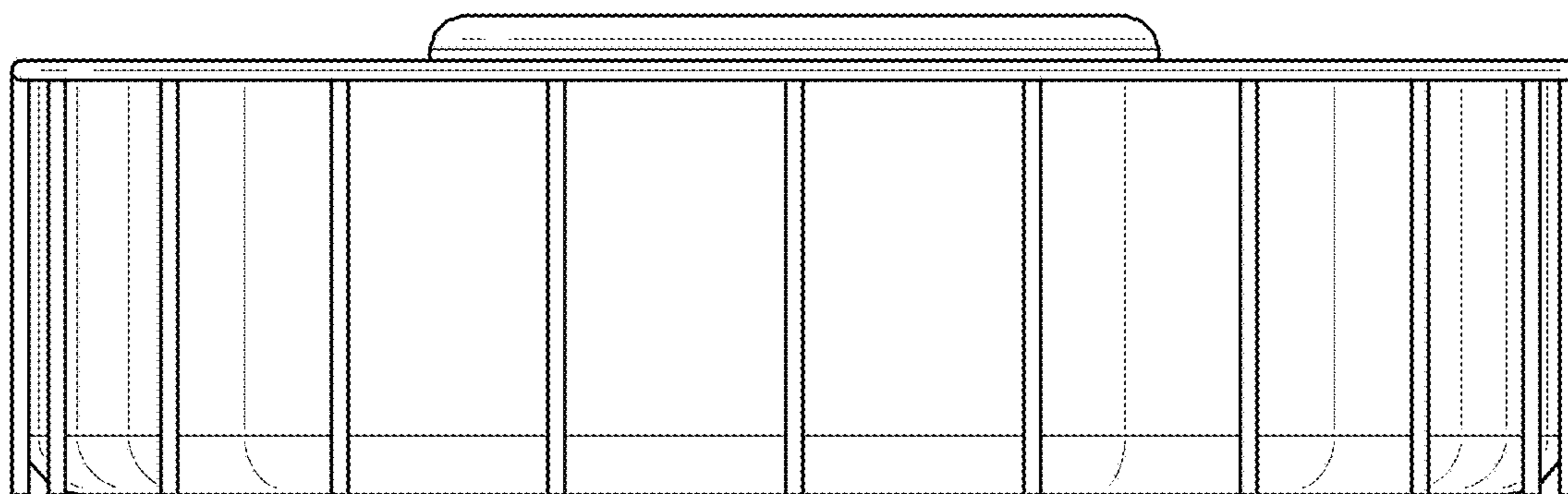


FIG. 5

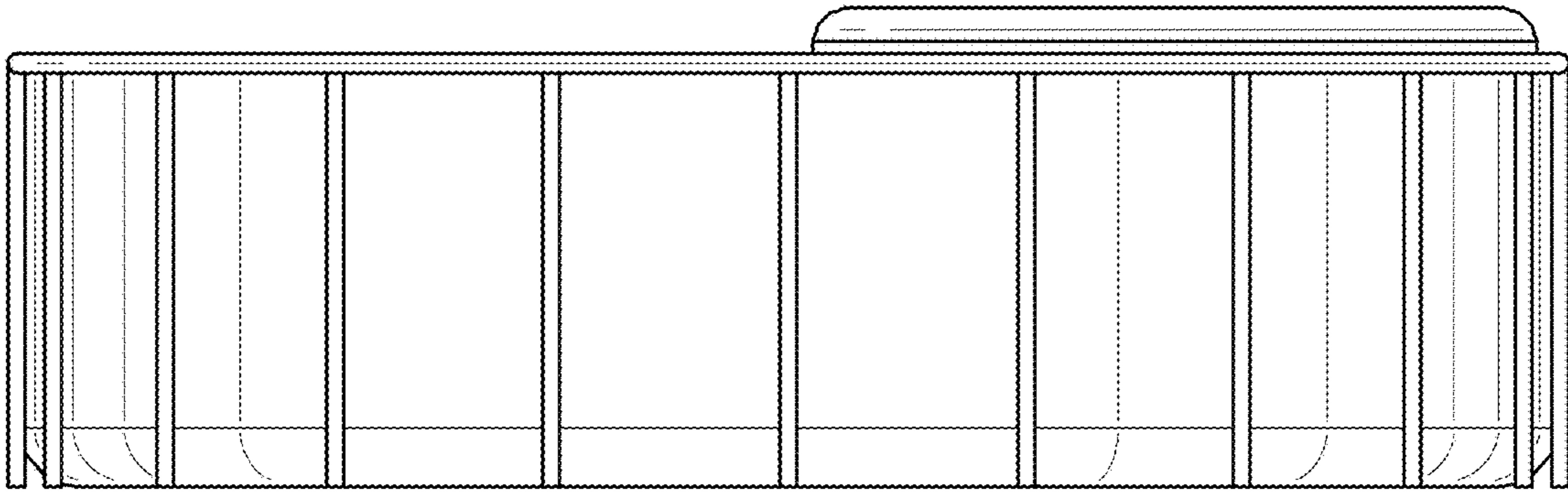


FIG. 6

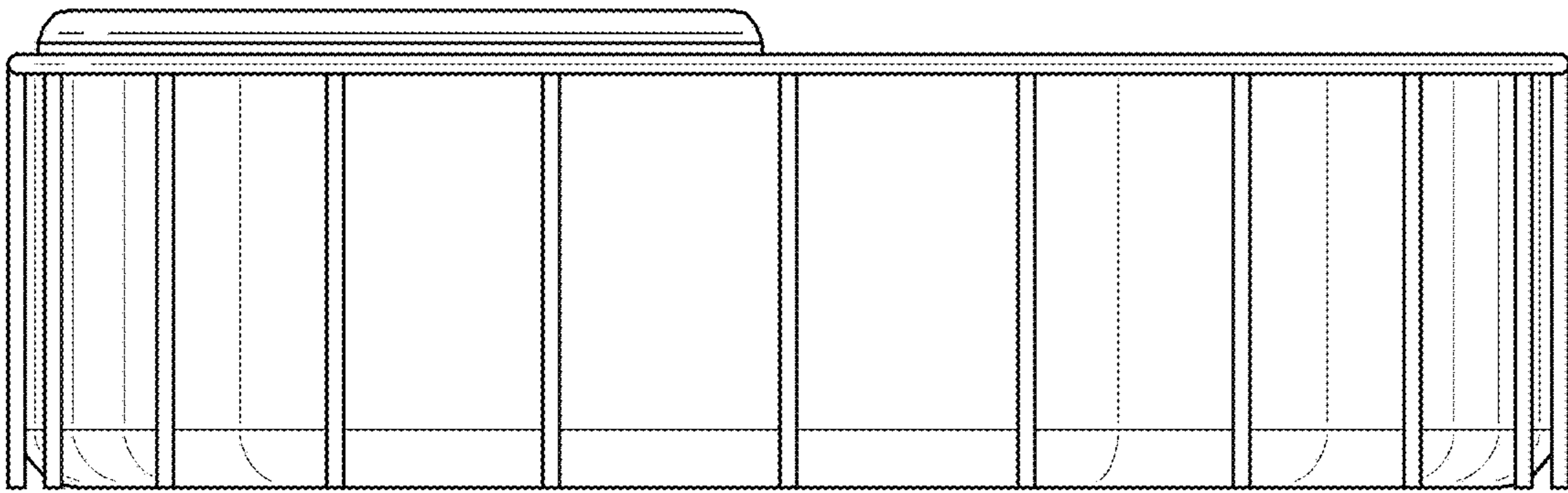


FIG. 7