



US00D793573S

(12) **United States Design Patent**
Karmeniemi

(10) **Patent No.:** **US D793,573 S**

(45) **Date of Patent:** **** Aug. 1, 2017**

(54) **LABORATORY INSTRUMENT**

(71) Applicant: **Thermo Fisher Scientific Oy**, Vantaa (FI)

(72) Inventor: **Timo Karmeniemi**, Helsinki (FI)

(73) Assignee: **Thermo Fisher Scientific Oy**, Vantaa (FI)

(**) Term: **15 Years**

(21) Appl. No.: **29/555,202**

(22) Filed: **Feb. 19, 2016**

(30) **Foreign Application Priority Data**

Aug. 31, 2015 (EM) 002763029-0001

(51) **LOC (10) Cl.** **24-02**

(52) **U.S. Cl.**
USPC **D24/226**

(58) **Field of Classification Search**

USPC D24/224-230, 216, 217, 232; 422/569,
422/551-553, 560-562, 400; 211/126.1;
435/288.4, 305.2

CPC G09B 19/10; C12M 23/12; B01L 9/06;
B01L 9/065; B01L 3/50853

See application file for complete search history.

(56) **References Cited**

U.S. PATENT DOCUMENTS

5,213,505 A * 5/1993 Laipply G09B 19/10
422/513

D441,091 S * 4/2001 Day D24/224

D466,219 S * 11/2002 Wynschek D24/227

D469,544 S * 1/2003 Lafond D24/224

D608,013 S *	1/2010	Coulling	D24/224
D628,305 S *	11/2010	Gorrec	D24/229
D673,294 S *	12/2012	Motadel	D24/227
D686,749 S *	7/2013	Trump	D24/230
D690,028 S *	9/2013	Tsukiji	D24/227
D710,024 S *	7/2014	Guo	D24/230
D745,698 S *	12/2015	Hage	D24/225
D768,870 S *	10/2016	Kuhn	D24/224
2012/0058516 A1 *	3/2012	Collins	B01L 3/50853 435/91.2
2015/0184119 A1 *	7/2015	Tsukada	C12M 23/12 506/10

* cited by examiner

Primary Examiner — Manpreet Matharu

Assistant Examiner — Rebecca Tsehaye

(74) *Attorney, Agent, or Firm* — Wood Herron & Evans LLP

(57) **CLAIM**

The ornamental design for a laboratory instrument, as shown and described.

DESCRIPTION

FIG. 1 is a front isometric view of our new laboratory instrument design;

FIG. 2 is a bottom isometric view thereof;

FIG. 3 is a top plan view thereof;

FIG. 4 is a bottom plan view thereof;

FIG. 5 is a front elevational view thereof;

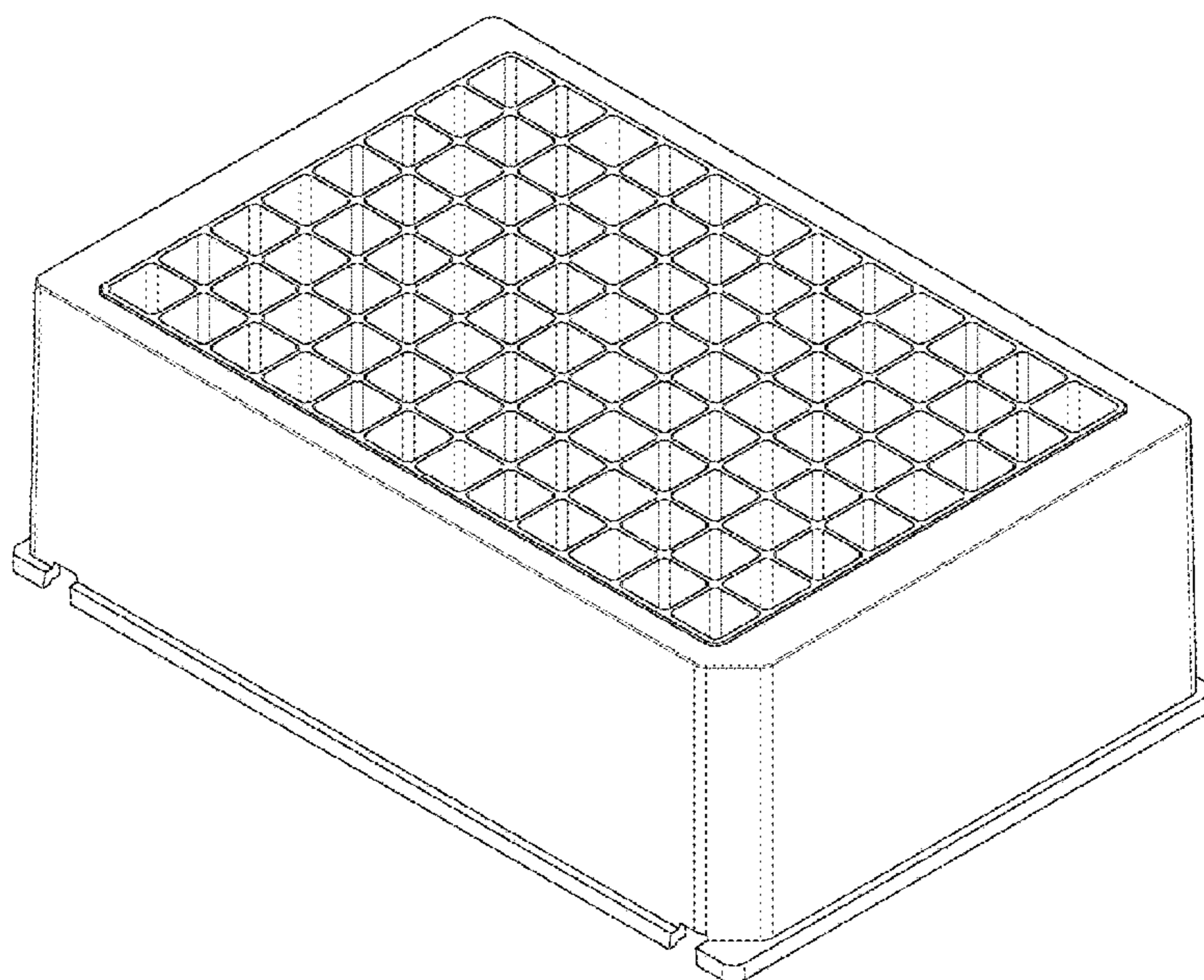
FIG. 6 is a rear elevational view thereof;

FIG. 7 is a right side elevational view thereof; and,

FIG. 8 is a left side elevational view thereof.

The broken lines in FIG. 4 depict a portion of the laboratory instrument that forms no part of the claimed design.

1 Claim, 8 Drawing Sheets



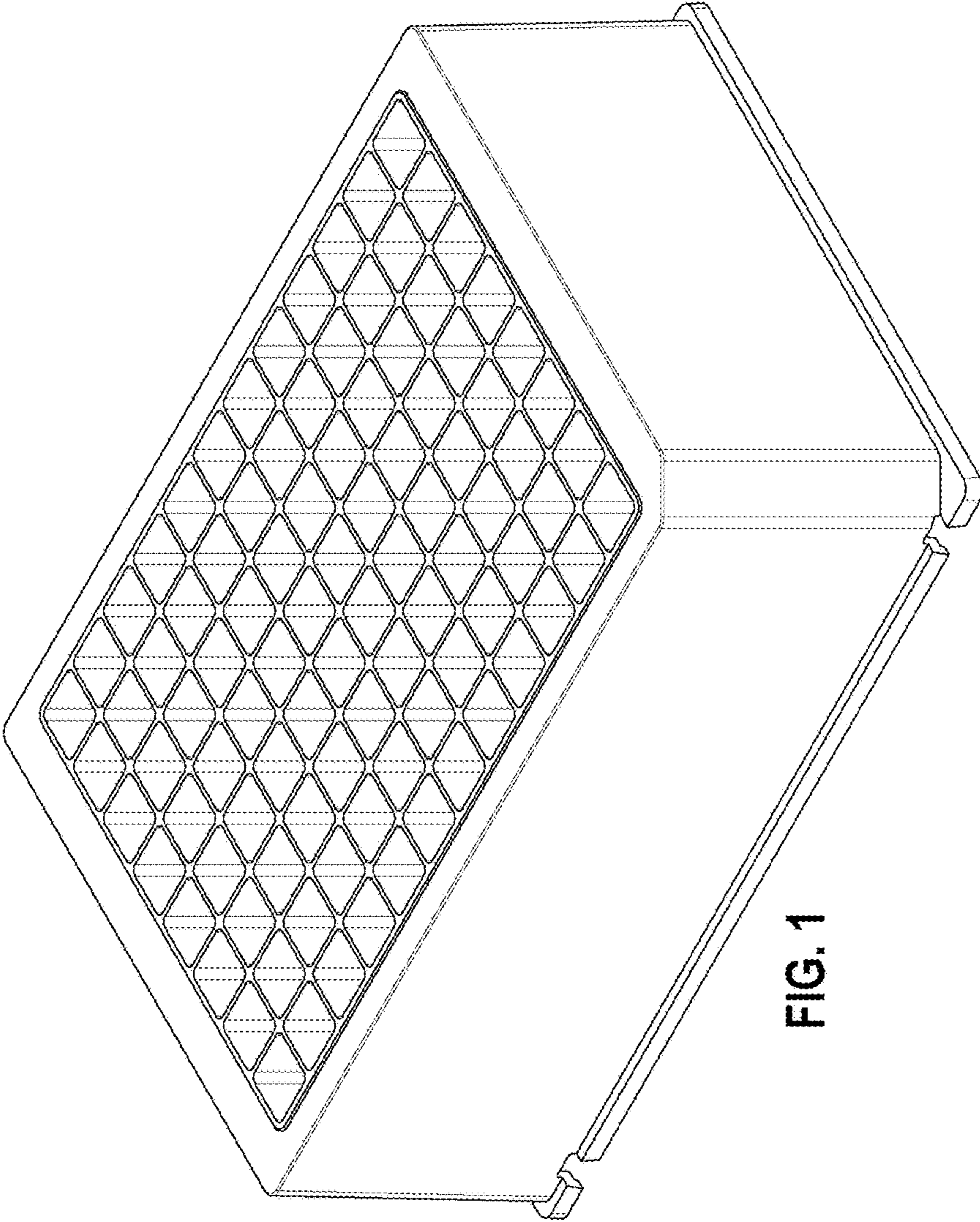


FIG. 1

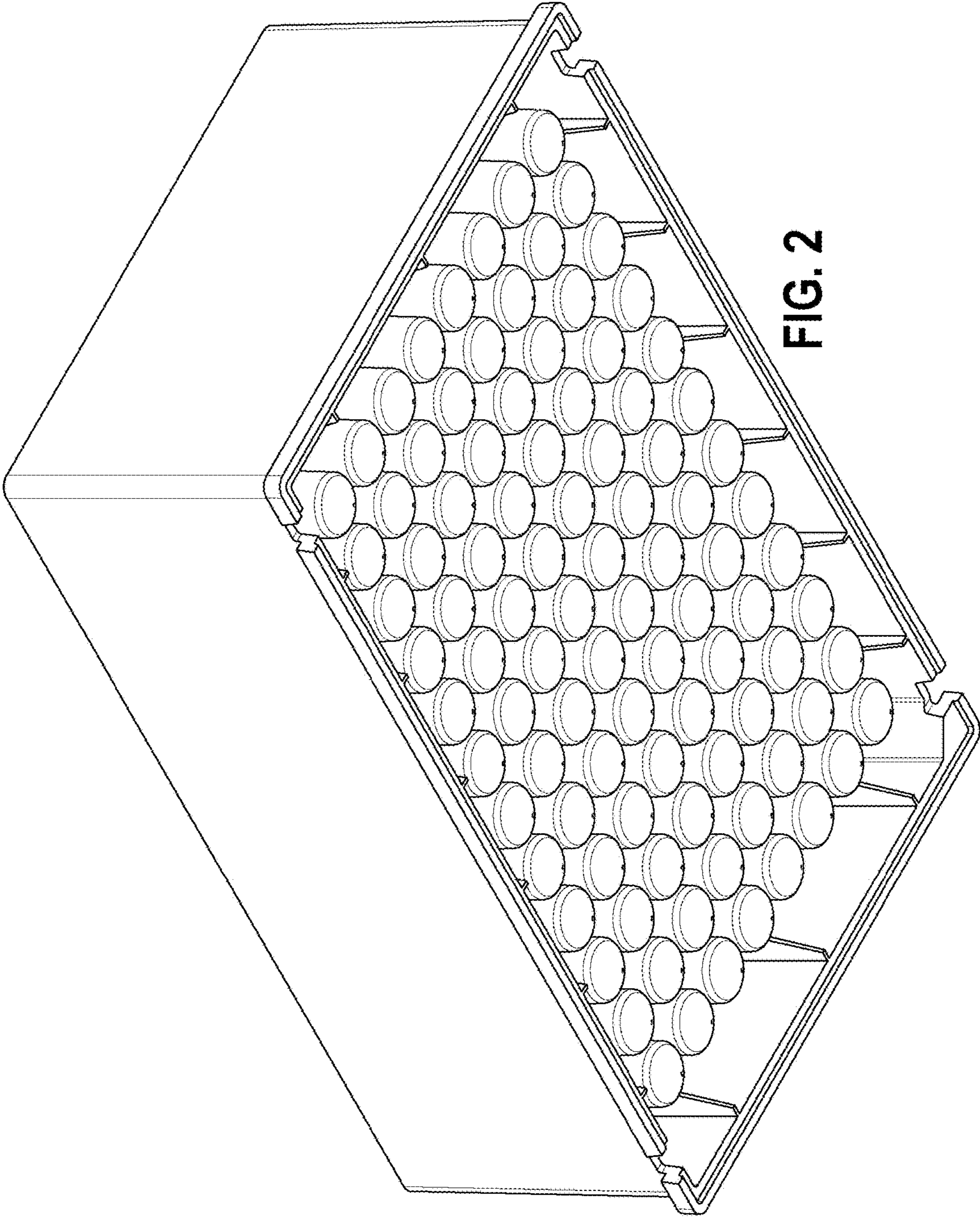


FIG. 2

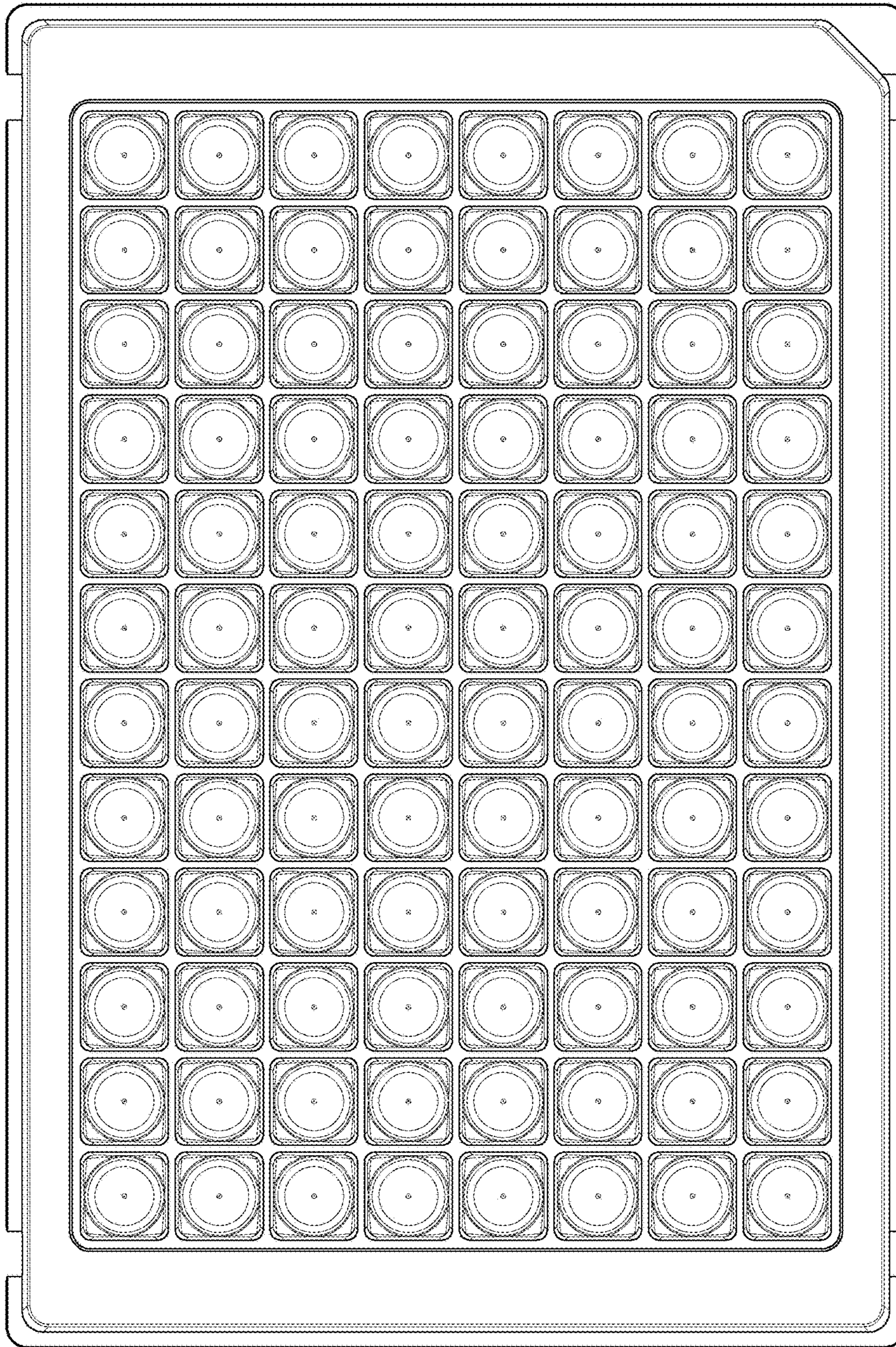


FIG. 3

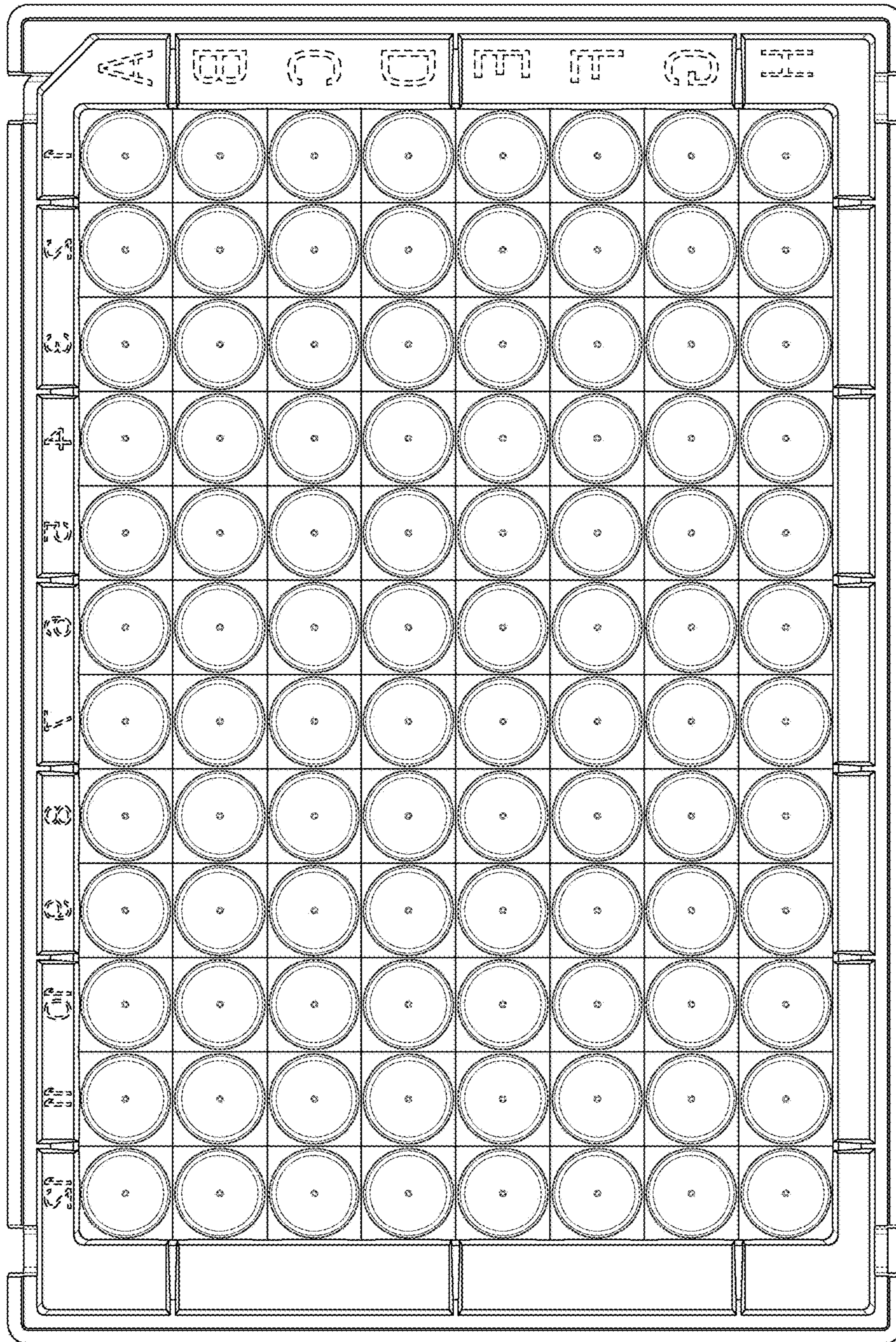


FIG. 4

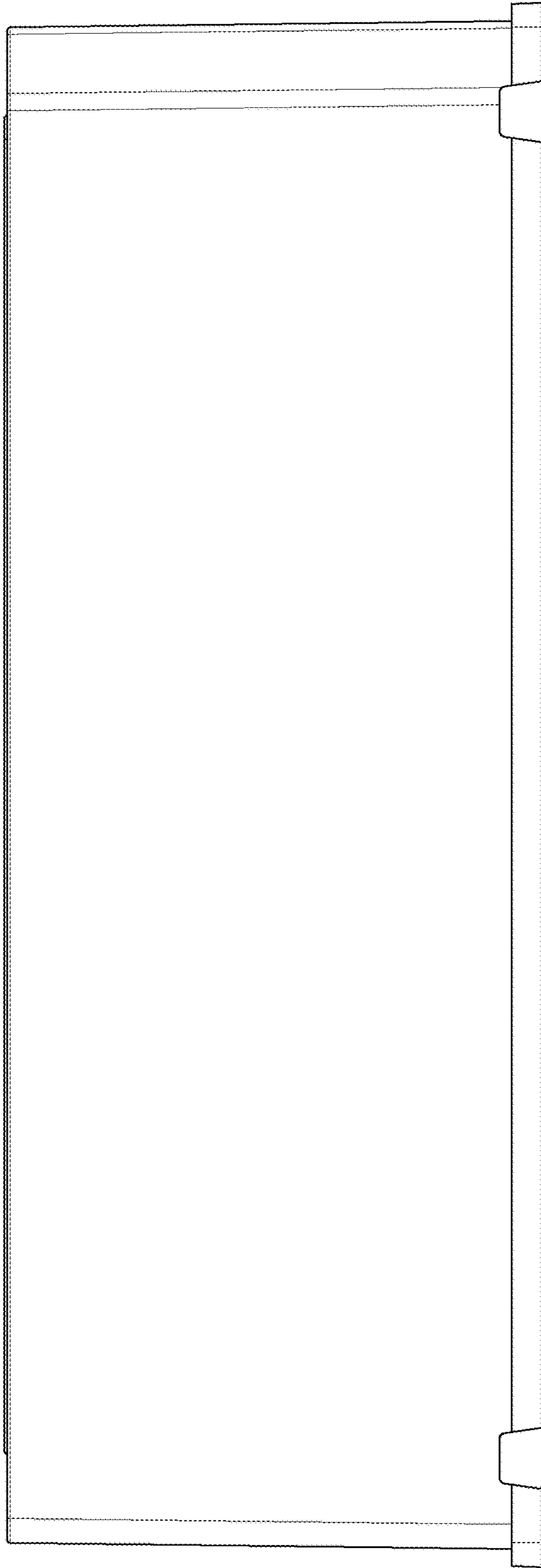


FIG. 5

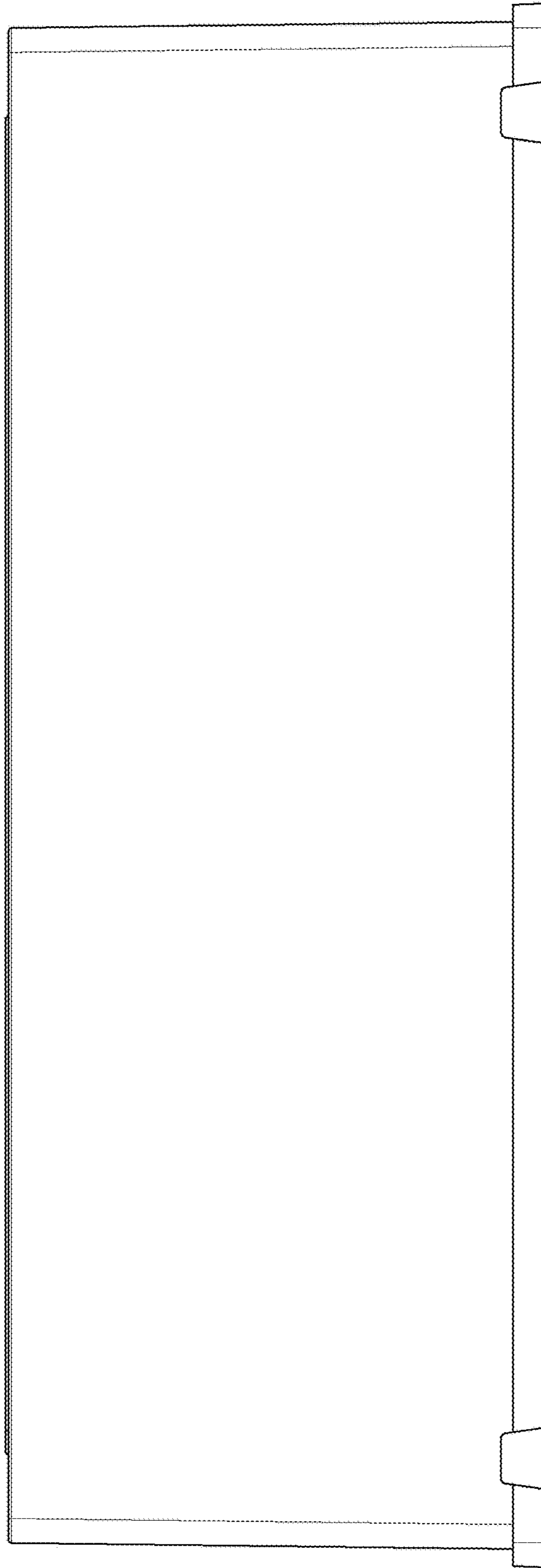


FIG. 6

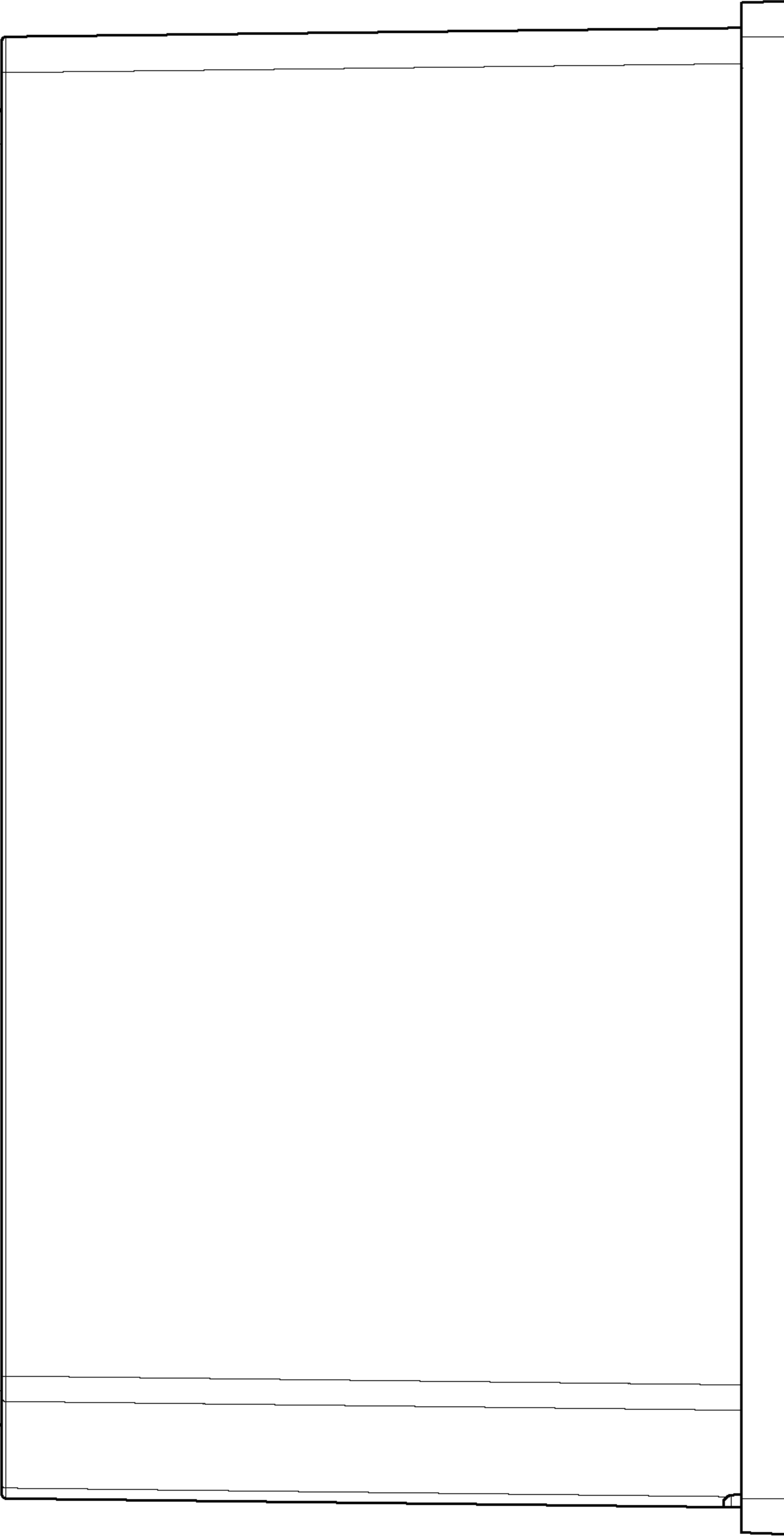


FIG. 7

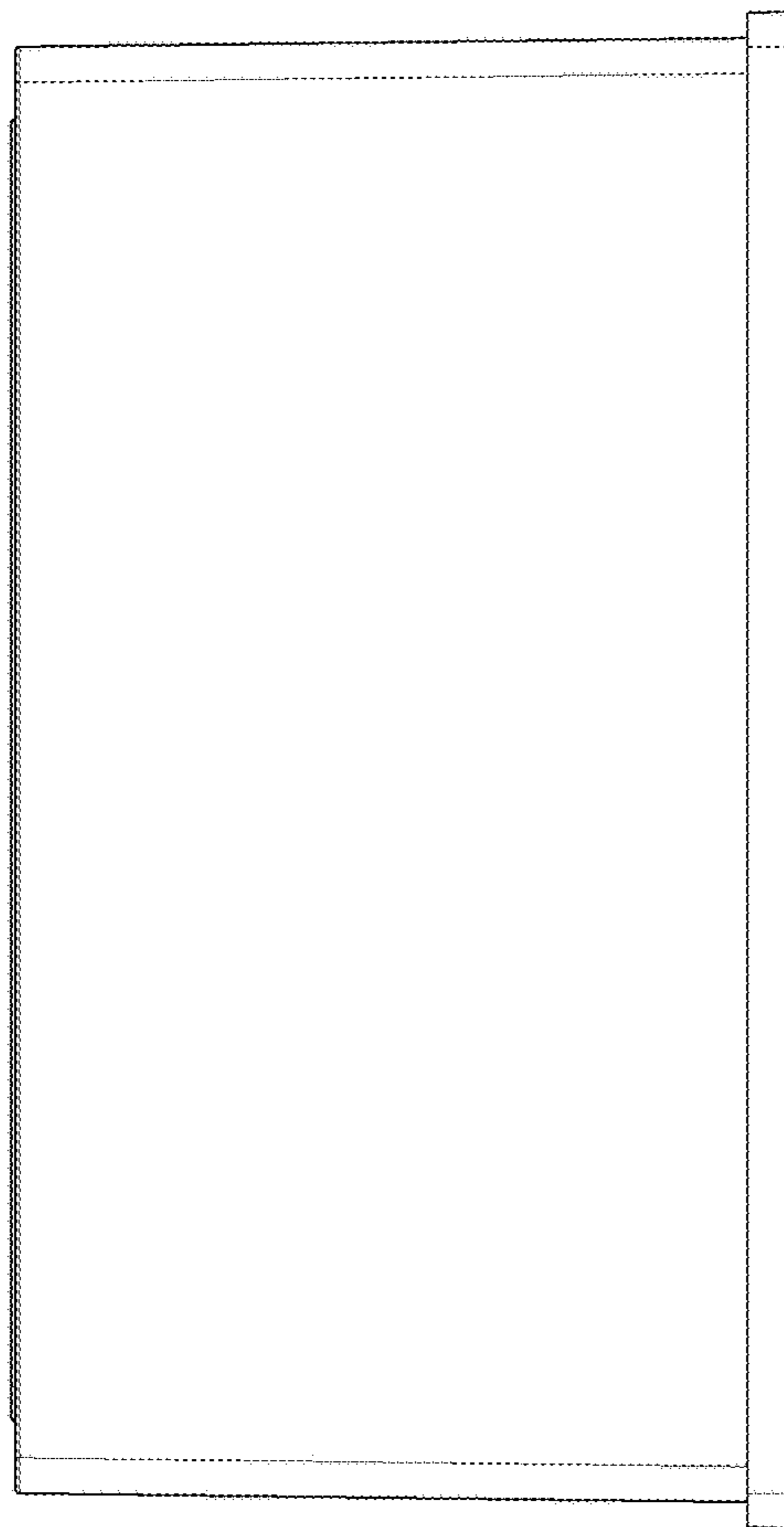


FIG. 8