



US00D793565S

(12) **United States Design Patent** (10) **Patent No.:** **US D793,565 S**
Saunamaki et al. (45) **Date of Patent:** **** Aug. 1, 2017**

(54) **WRIST DEVICE** D619,256 S * 7/2010 Brady et al. D24/167
D677,792 S * 3/2013 Vandiver D24/167
(71) Applicant: **PulseOn Oy**, Espoo (FI) D687,951 S * 8/2013 Della Torre et al. D24/167
D720,074 S * 12/2014 Suvilaakso et al. D24/167
(72) Inventors: **Jarkko Saunamaki**, Vantaa (FI); **Jari**
Nousiainen, Espoo (FI); **Iikka**
Korhonen, Lempaala (FI) D729,651 S * 5/2015 Nuovo D24/167
D733,598 S * 7/2015 Just et al. D10/77
D734,191 S * 7/2015 Phillips D10/103
(73) Assignee: **PULSEON OY**, Espoo (FI) 2006/0195020 A1 * 8/2006 Martin et al. 600/301
2010/0219943 A1 * 9/2010 Vanska et al. 340/407.1
2014/0288885 A1 * 9/2014 Morita 702/191
2014/0371601 A1 * 12/2014 Fei A61B 5/02427
600/476

(**) Term: **14 Years**

(21) Appl. No.: **29/492,190**

(22) Filed: **May 29, 2014**

(51) **LOC (10) Cl.** **24-01**

(52) **U.S. Cl.**
USPC **D24/186**

(58) **Field of Classification Search**
USPC D24/165-168, 186, 187, 107; D10/70,
D10/98, 30-32, 38; 600/301, 382-384,
600/386, 390, 483, 500-503, 508, 509,
600/513; 128/DIG. 15; D11/4, 5
CPC A61B 5/6803; A61B 5/681; A61B 5/6824;
A61B 5/6825; A61B 5/024; A61B
5/02405; A61B 5/02438
See application file for complete search history.

(56) **References Cited**

U.S. PATENT DOCUMENTS

D339,338 S * 9/1993 Tattari D14/138 AA
D569,282 S * 5/2008 Daniel D10/65

* cited by examiner

Primary Examiner — Anhdao Doan

(74) *Attorney, Agent, or Firm* — Jacobson Holman,
PLLC.

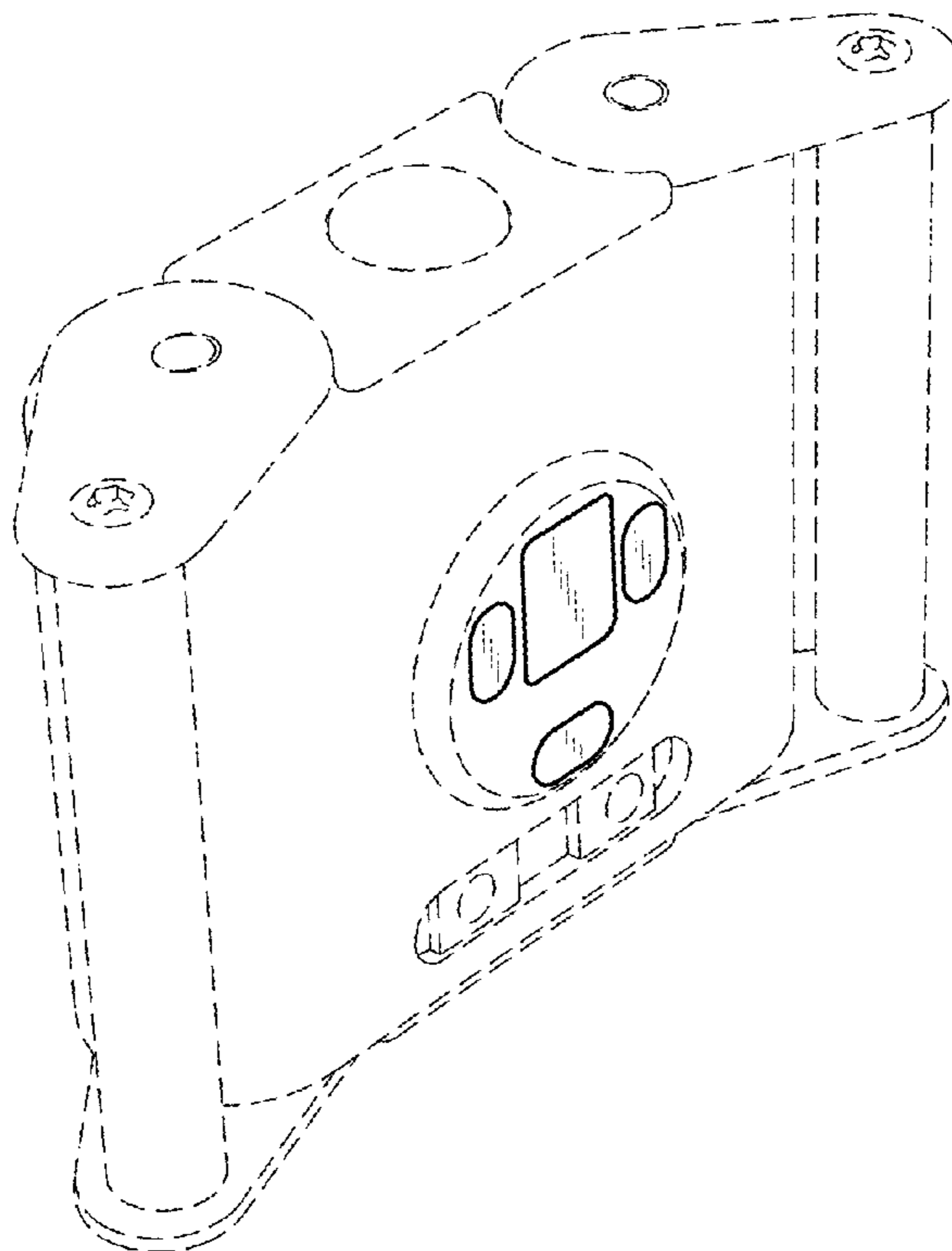
(57) **CLAIM**

We claim the ornamental design for a wrist device, as shown
and described.

DESCRIPTION

FIG. 1 is a bottom perspective view of a wrist device; and,
FIG. 2 is a bottom view thereof.
The dotted lines are not part of the wrist device being
claimed but solely show environment.

1 Claim, 1 Drawing Sheet



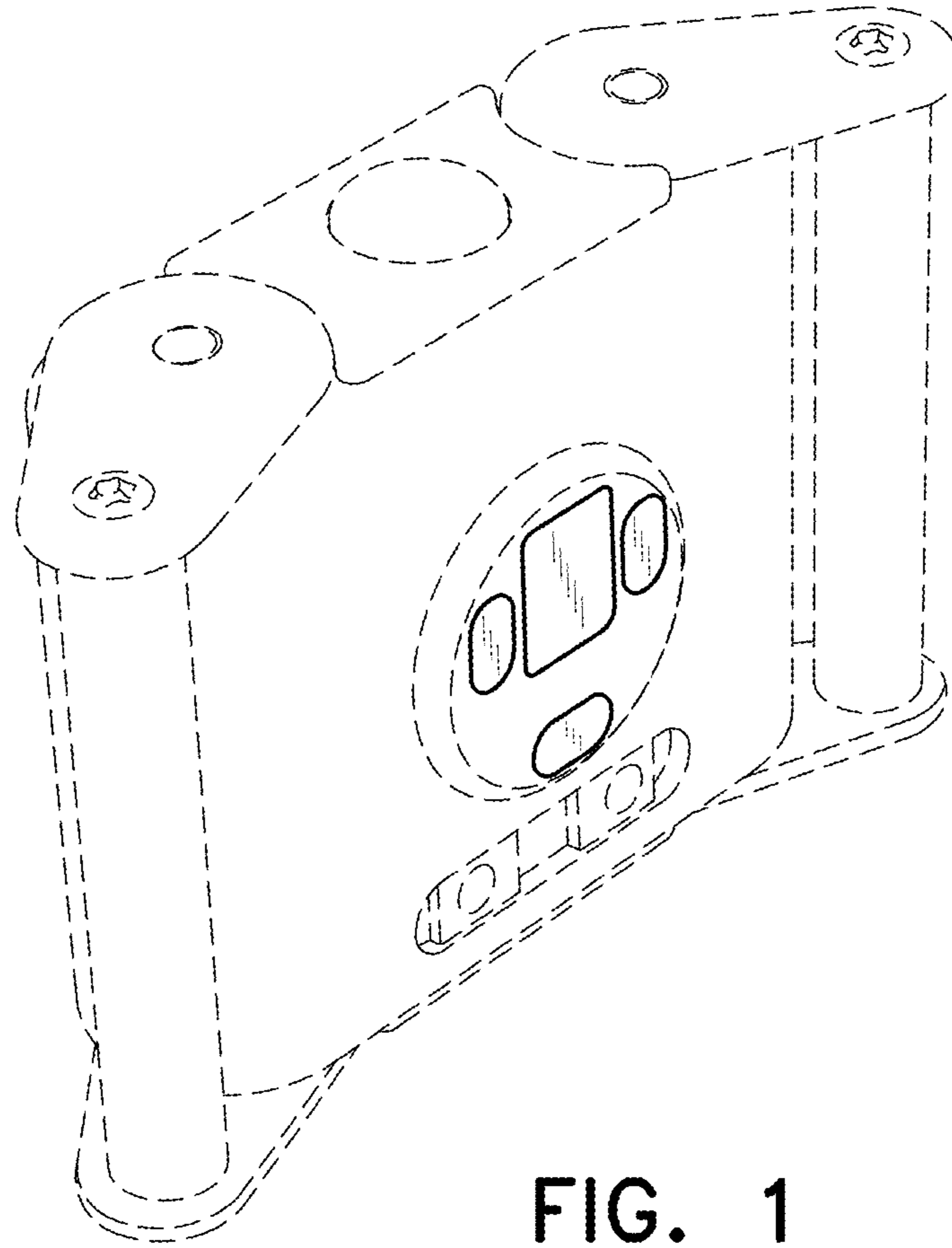


FIG. 1

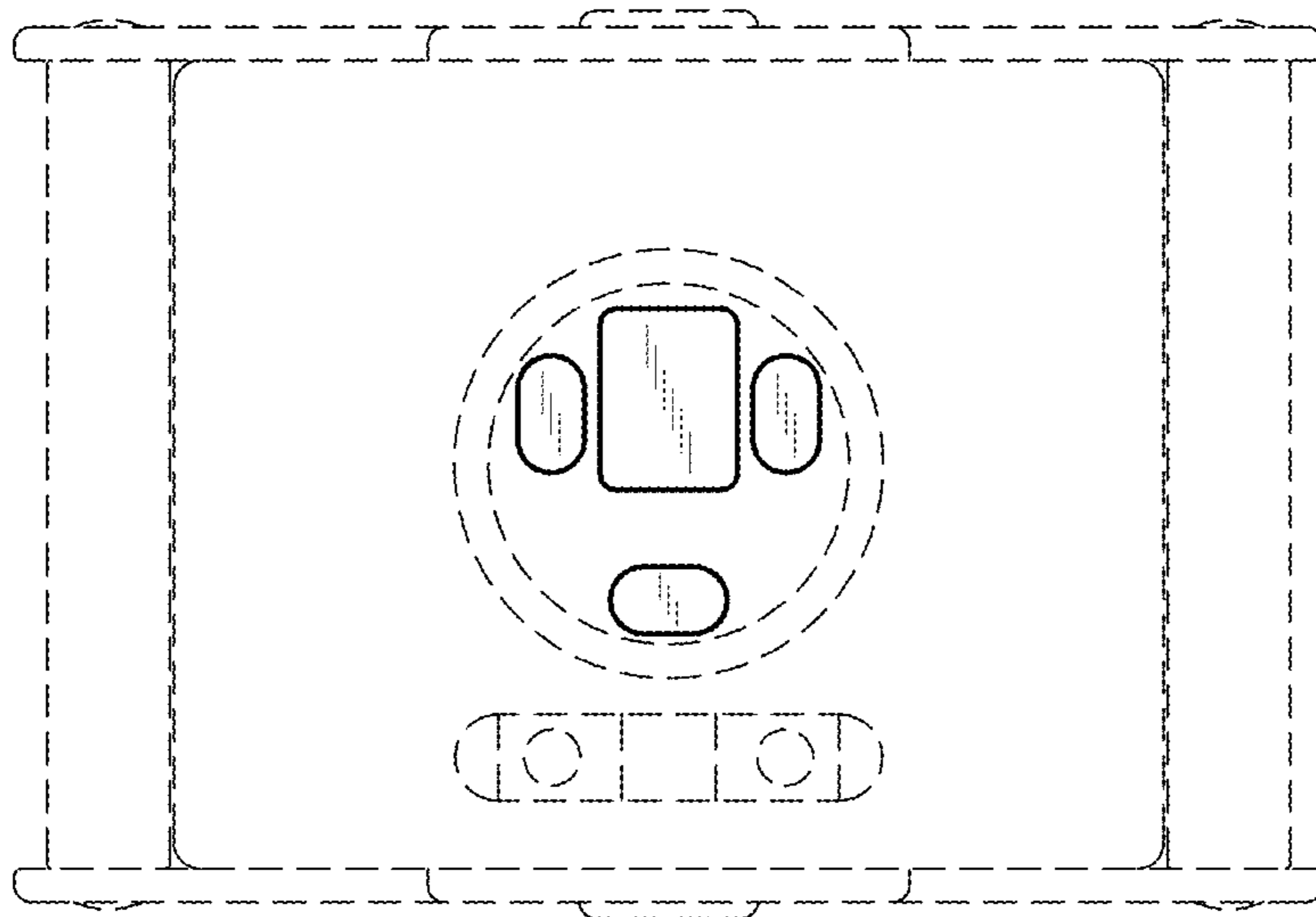


FIG. 2