



US00D793557S

(12) **United States Design Patent** (10) **Patent No.:** **US D793,557 S**
Thoma et al. (45) **Date of Patent:** **** Aug. 1, 2017**

(54) X-RAY IMAGING DEVICE	D585,554 S	1/2009	Suzuki	
	D597,210 S	7/2009	Hirabayashi	
(71) Applicant: Sirona Dental Systems GmbH, Bensheim (DE)	7,785,006 B2	8/2010	Kim	
	D659,833 S	5/2012	Ogura	
	8,251,583 B2 *	8/2012	Cekov	A61B 6/14 378/191
(72) Inventors: Dieter Thoma, Einhausen (DE); Stefan Maier, Darmstadt (DE)	2007/0297571 A1 *	12/2007	Beckhaus	A61B 6/14 378/147
	2011/0142198 A1 *	6/2011	Cekov	A61B 6/14 378/38
(73) Assignee: Sirona Dental Systems GmbH, Bensheim (DE)	2011/0305320 A1 *	12/2011	Suuronen	A61B 6/00 378/98.5

(**) Term: **15 Years**

(21) Appl. No.: **29/546,065**

(22) Filed: **Nov. 18, 2015**

Related U.S. Application Data

(63) Continuation of application No. 29/509,262, filed on Nov. 14, 2014, now abandoned.

(30) **Foreign Application Priority Data**

May 16, 2014 (EM) 002465500-0001

(51) **LOC (10) Cl.** **24-01**

(52) **U.S. Cl.**
USPC **D24/158**

(58) **Field of Classification Search**
USPC D24/158-161, 185, 186, 107, 176
CPC A61B 6/14; A61B 6/4411; A61B 6/4441;
A61B 6/032; A61B 5/4504; A61B 5/4547
See application file for complete search history.

(56) **References Cited**

U.S. PATENT DOCUMENTS

D480,142 S	9/2003	Chikuma
D554,257 S	10/2007	Ogiwara
D563,553 S	3/2008	Saito et al.
D571,471 S	6/2008	Stockl

OTHER PUBLICATIONS

“Orthophos XG List of Spare Parts” dated Sep. 8, 2013, pp. 1-102, printed in Germany.
Orthophos XG 3D and Orthophos XG 3D ready Brochure, pp. 1-11, Rev. 02/11.
Orthophos XG 3D/Ceph, Orthophos XG 3D ready/Ceph, Operating Instructions, pp. 1, 30, 104, 109, Jun. 2014.

(Continued)

Primary Examiner — Anhdao Doan
(74) *Attorney, Agent, or Firm* — Fitzpatrick, Cella, Harper & Scinto

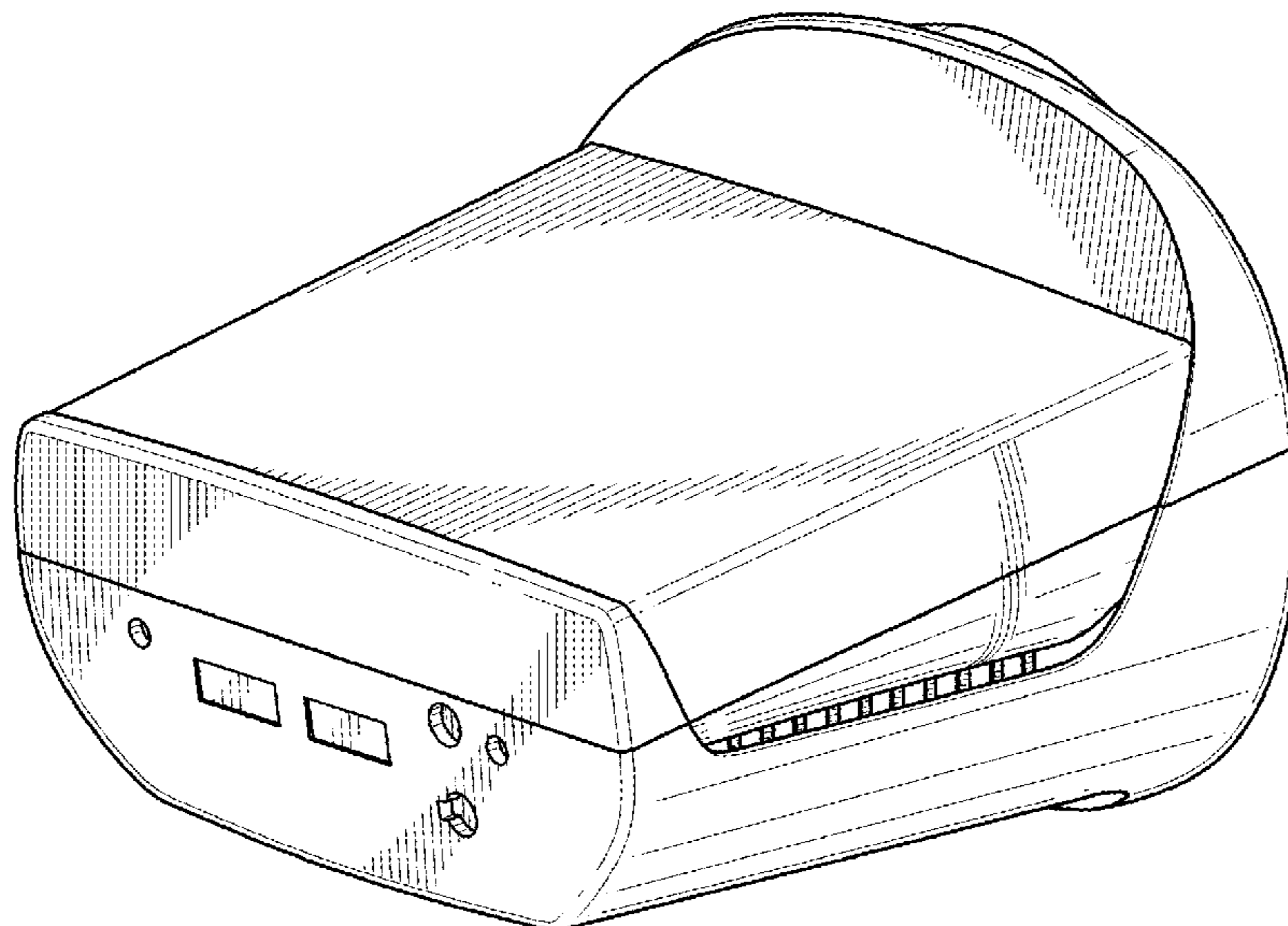
(57) **CLAIM**

The ornamental design for an X-ray imaging device, as shown and described.

DESCRIPTION

FIG. 1 is a right and rear perspective view of our design; FIG. 2 is a front elevation thereof; FIG. 3 is a rear elevation thereof; FIG. 4 is a top, right, and rear perspective view thereof; FIG. 5 is a bottom, left, and rear perspective view thereof; FIG. 6 is a left side view thereof; and, FIG. 7 is a right side view thereof.

1 Claim, 7 Drawing Sheets



(56)

References Cited

OTHER PUBLICATIONS

Orthophos XG 5/Ceph, Orthophos XG 5 DS/Ceph, Operating Instructions, pp. 1, 23, 24, 45, Aug. 2013.

Orthophos Plus DS, Operating Instructions, pp. 1, 11, 24, 26, Jul. 2003.

* cited by examiner

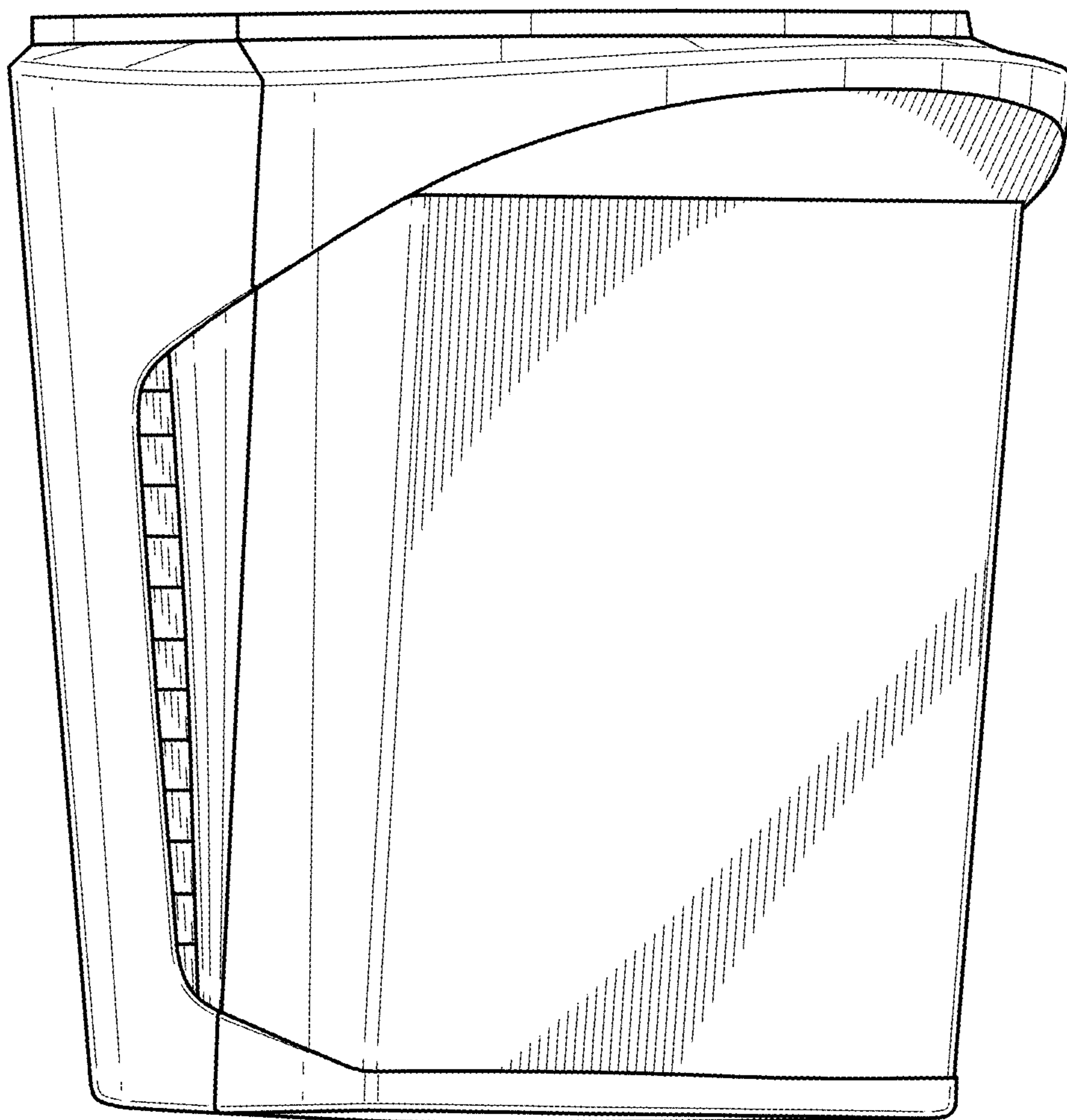


FIG. 1

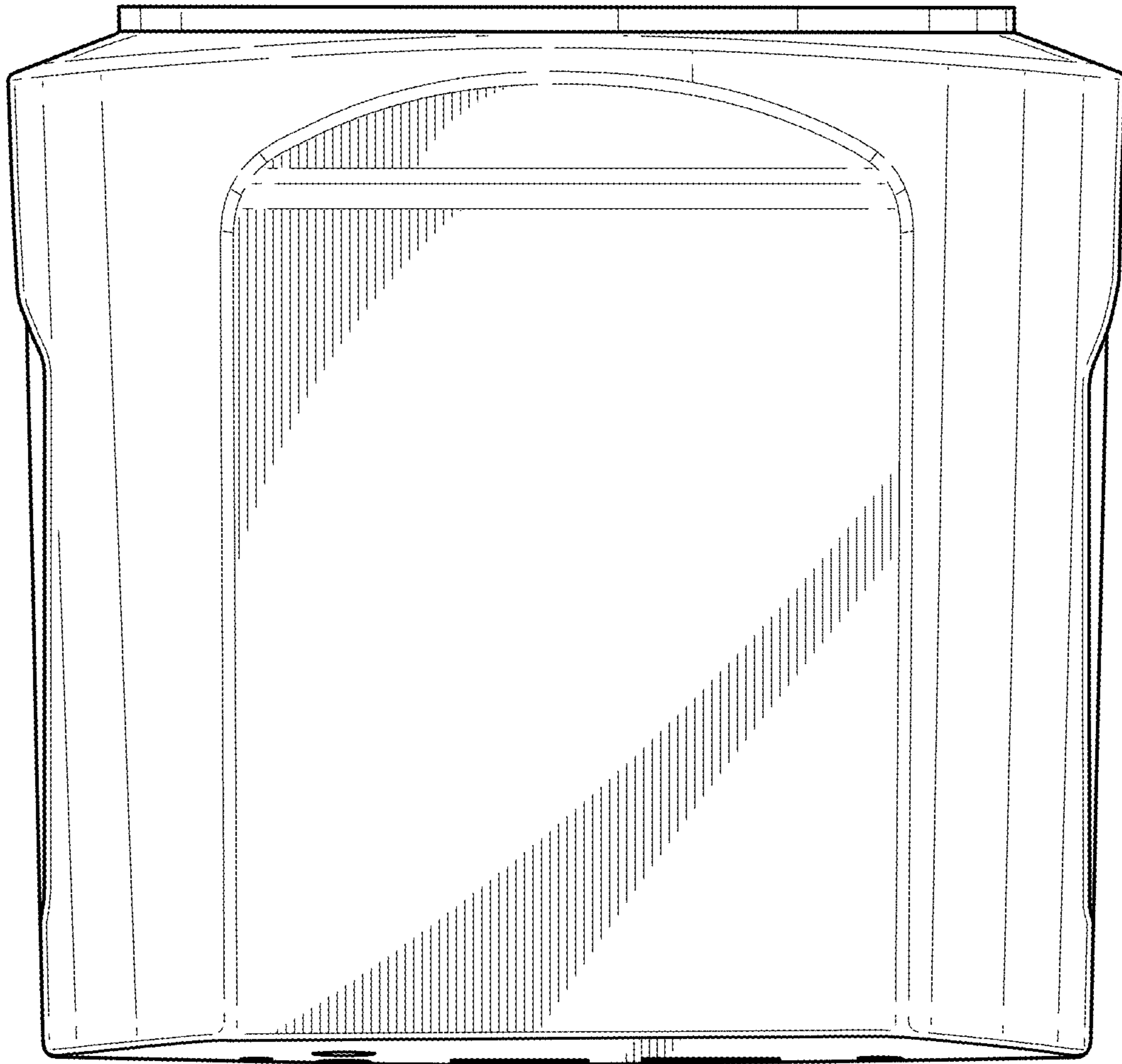


FIG. 2

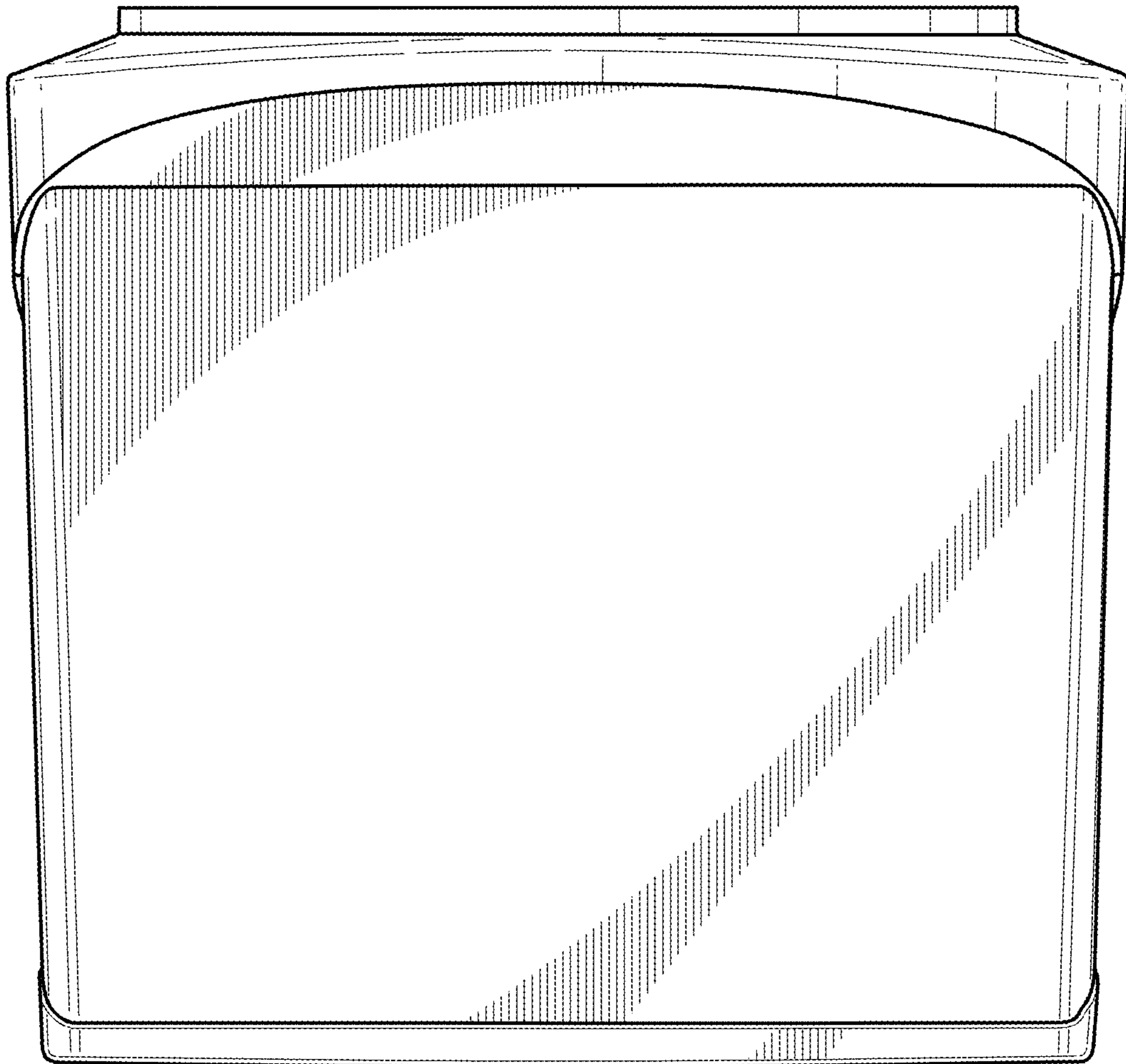


FIG. 3

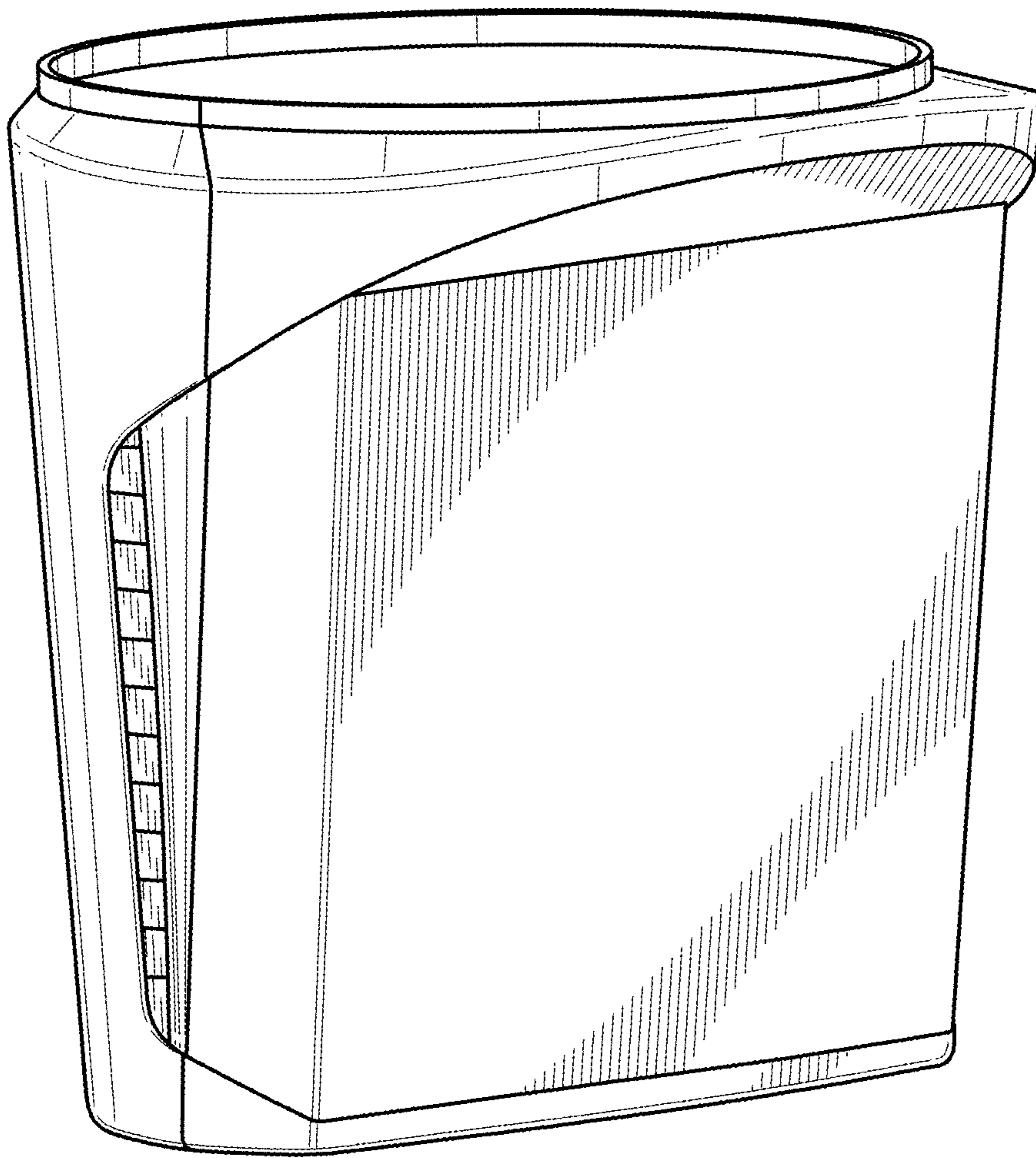


FIG. 4

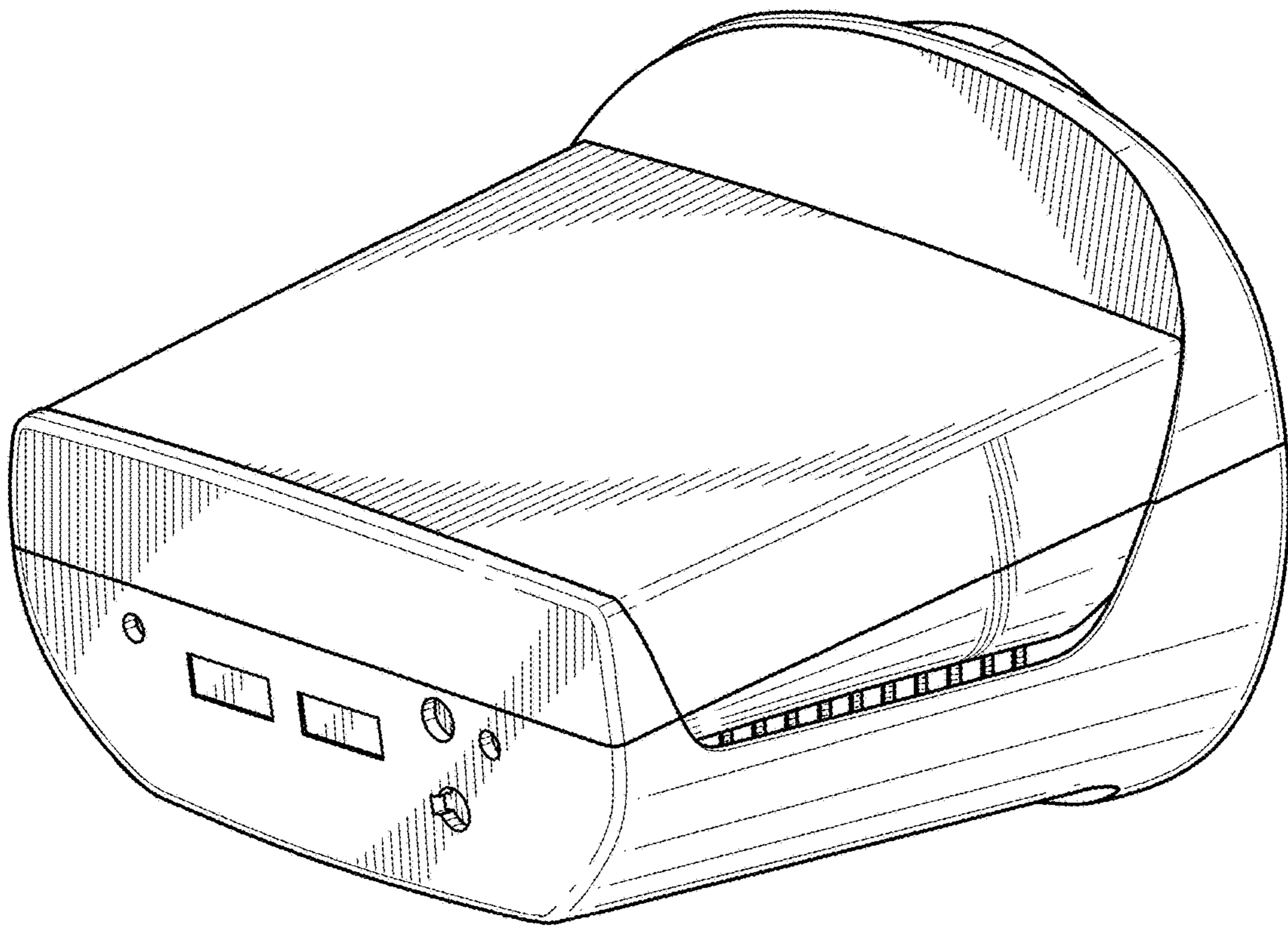


FIG. 5

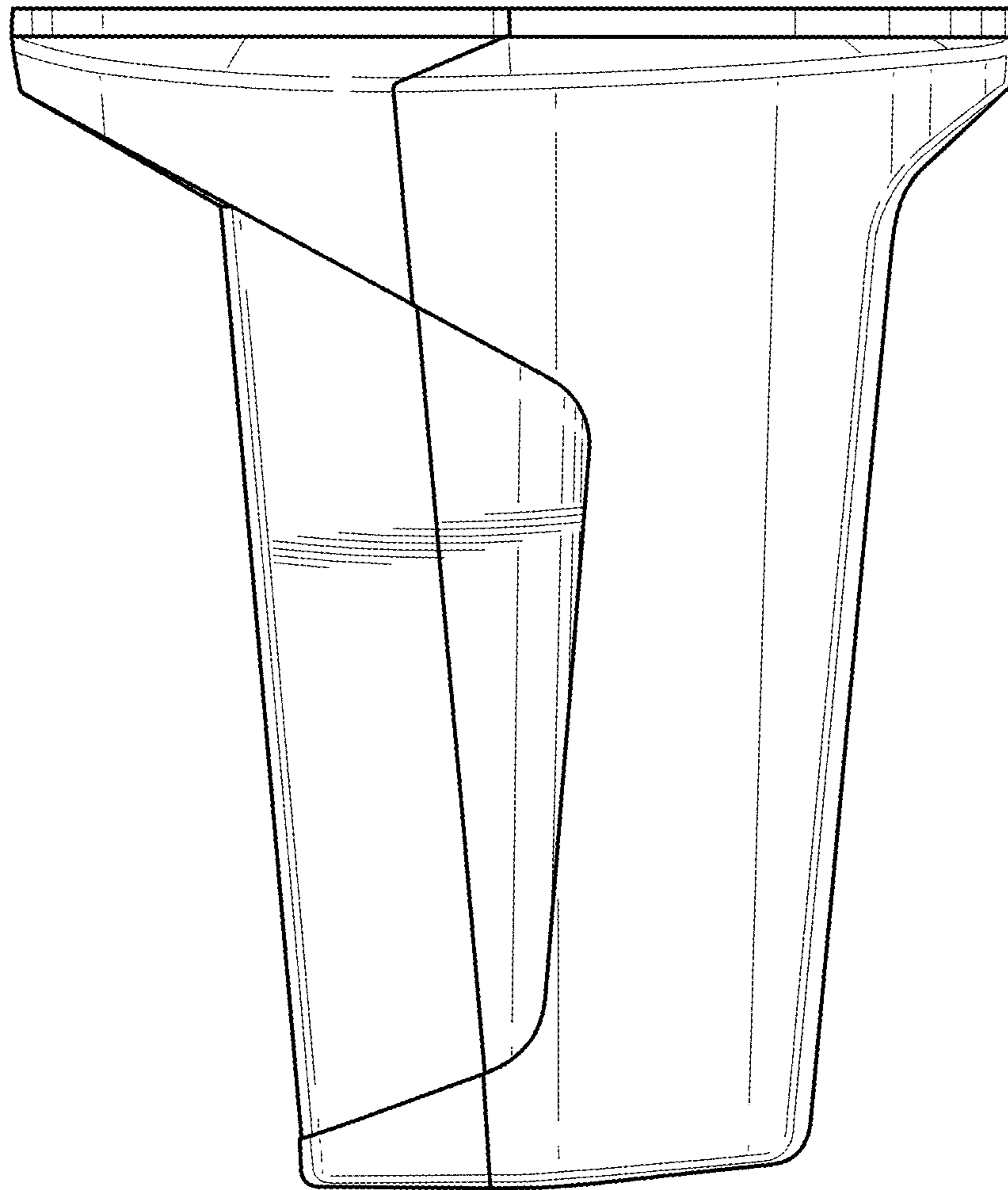


FIG. 6

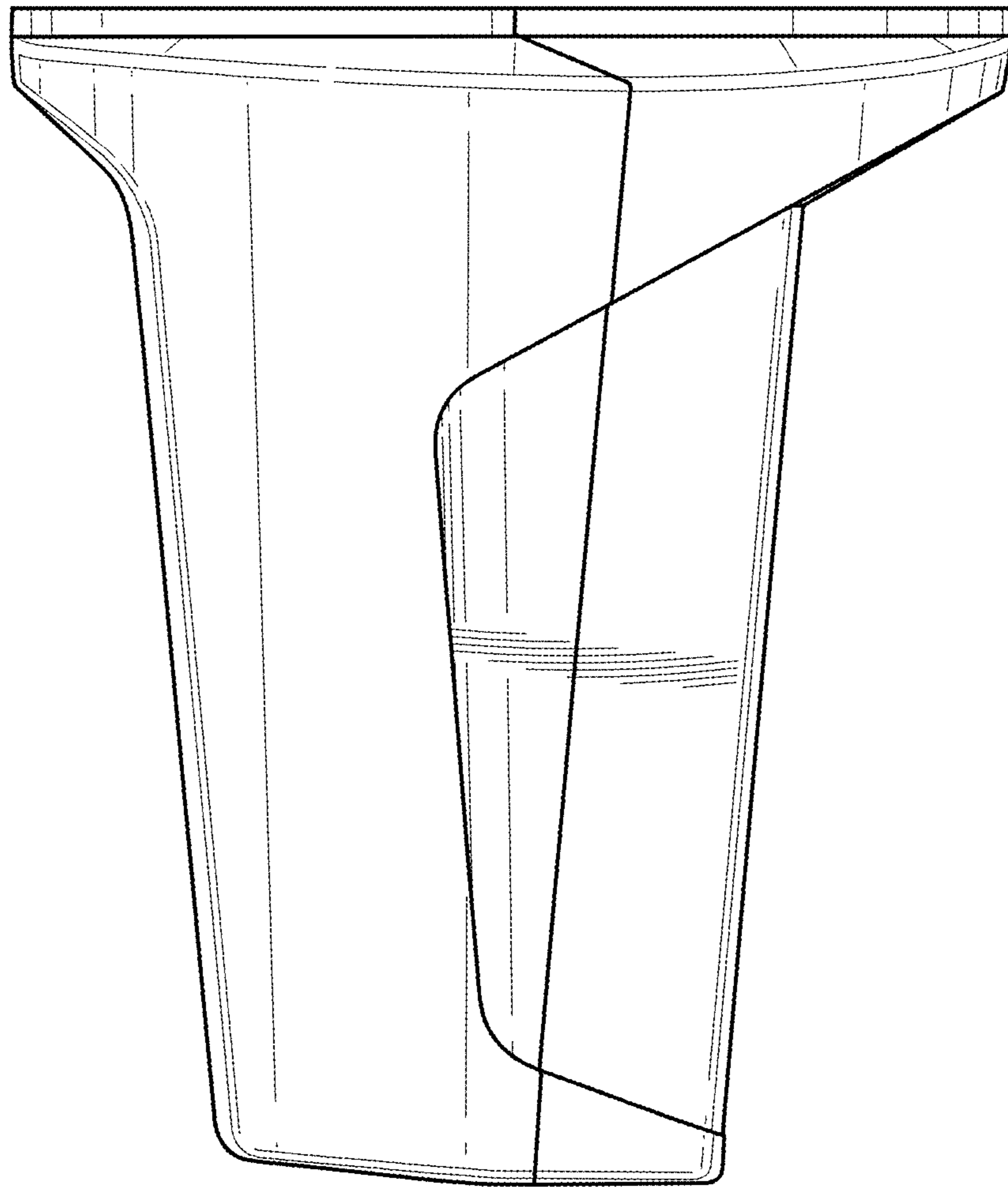


FIG. 7