



US00D793556S

(12) **United States Design Patent** (10) **Patent No.:** **US D793,556 S**
Sweitzer (45) **Date of Patent:** **** Aug. 1, 2017**

(54) **OSTEOTOME BLADE**

D745,349 S * 12/2015 Hampton D8/20
D745,350 S * 12/2015 Hampton D8/20

(71) Applicant: **Shukla Medical**, Piscataway, NJ (US)

* cited by examiner

(72) Inventor: **Zachary Robert Sweitzer**, Basking Ridge, NJ (US)

Primary Examiner — Garth Rademaker

Assistant Examiner — Samantha Q Lawrence

(73) Assignee: **Shukla Medical**, Piscataway, NJ (US)

(74) *Attorney, Agent, or Firm* — Kim Winston LLP

(**) Term: **15 Years**

(57) **CLAIM**

The ornamental design for an osteotome blade, as shown and described.

(21) Appl. No.: **29/561,833**

DESCRIPTION

(22) Filed: **Apr. 20, 2016**

(51) **LOC (10) Cl.** **24-02**

(52) **U.S. Cl.**
USPC **D24/146**

(58) **Field of Classification Search**
USPC D24/133, 146, 147; 606/79, 84, 87;
D8/5, 20, 92, 99
See application file for complete search history.

FIG. 1 is a top perspective view of an osteotome blade in accordance with the new design;
FIG. 2 is a top plan view of the osteotome blade of FIG. 1;
FIG. 3 is a bottom plan view of the osteotome blade of FIG. 1;
FIG. 4 is a rear elevation view of the osteotome blade of FIG. 1;
FIG. 5 is a front elevation view of the osteotome blade of FIG. 1;
FIG. 6 is a left side elevation view of the osteotome blade of FIG. 1; and,
FIG. 7 is a right side elevation view of the osteotome blade of FIG. 1.

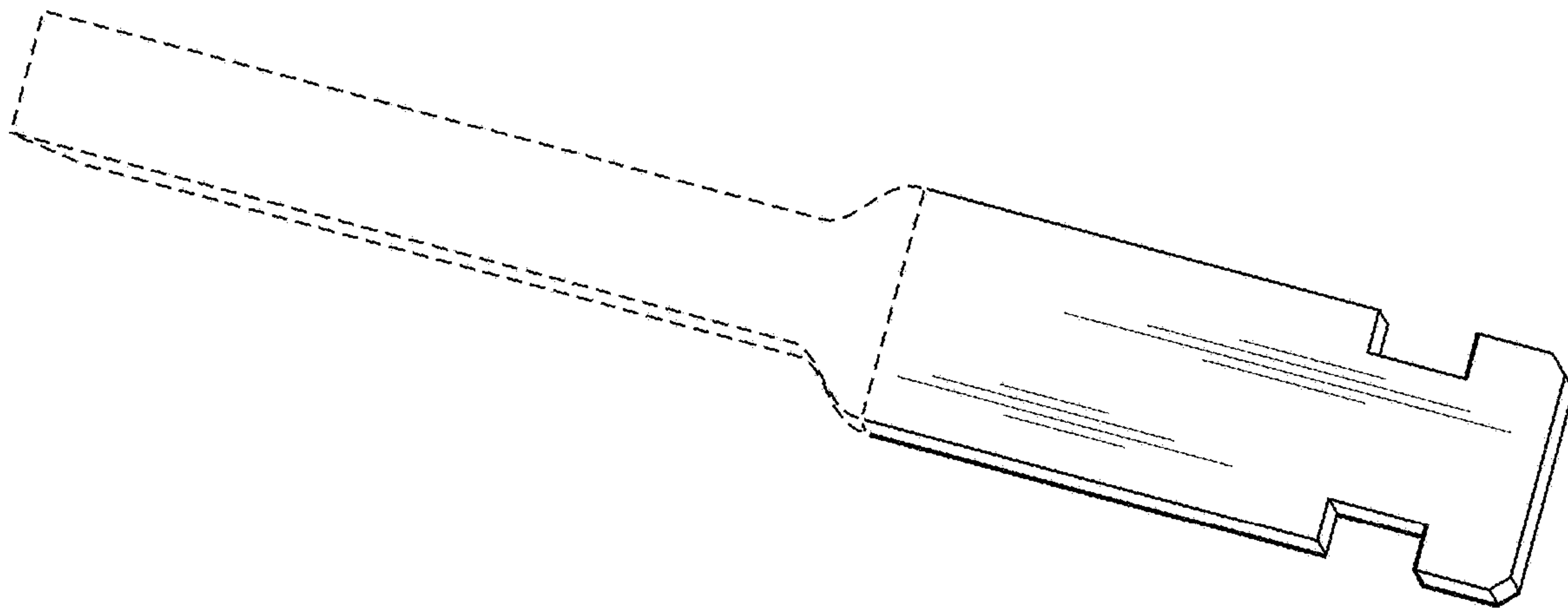
The broken lines directly adjacent to shaded portions illustrate a boundary of the claimed design. All other broken lines shown in FIGS. 1-3 and FIGS. 6-7 illustrate portions of the osteotome blade that form no part of the claimed design.

(56) **References Cited**

U.S. PATENT DOCUMENTS

D337,160 S * 7/1993 Evans D24/146
D385,164 S * 10/1997 Hutchins D24/146
D503,800 S * 4/2005 Ebner D24/146
D536,791 S * 2/2007 Eskridge D24/146
D554,256 S * 10/2007 Eskridge D24/146
D601,869 S * 10/2009 Nelson D8/20
D603,231 S * 11/2009 Fisher D24/146
D742,002 S * 10/2015 Fisher D24/146

1 Claim, 3 Drawing Sheets



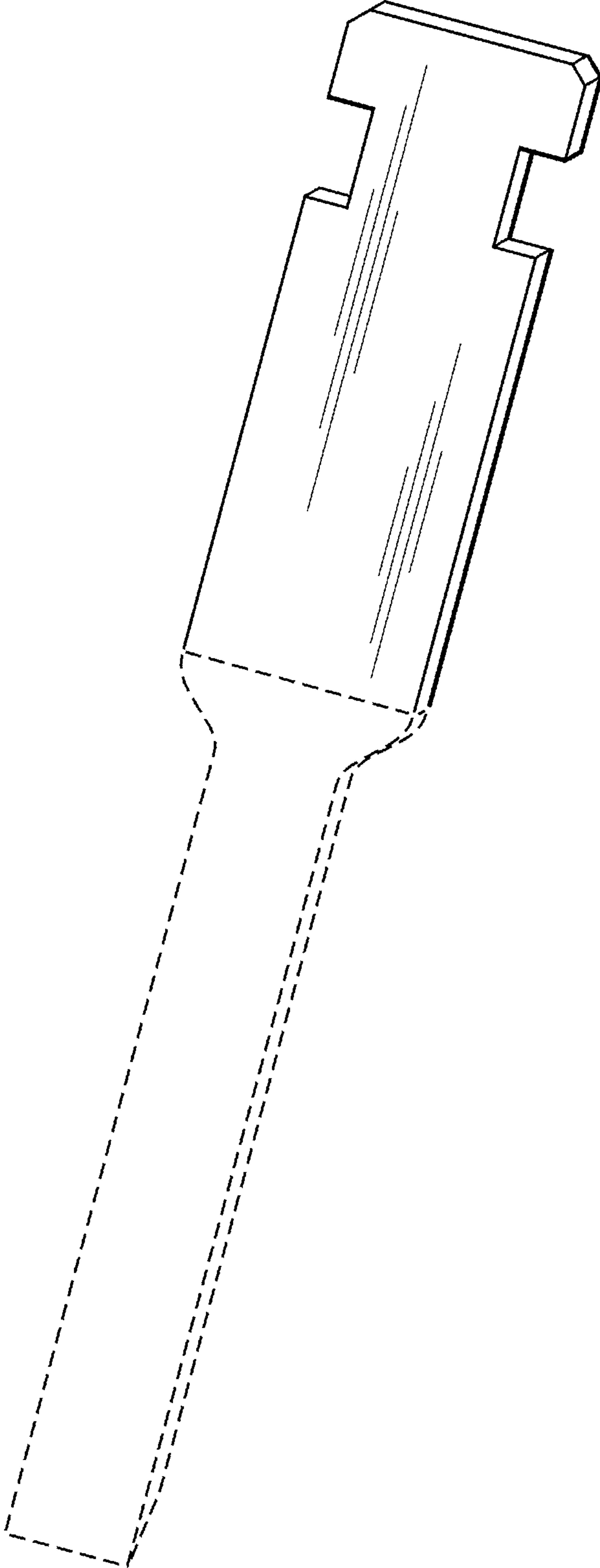


FIG. 1

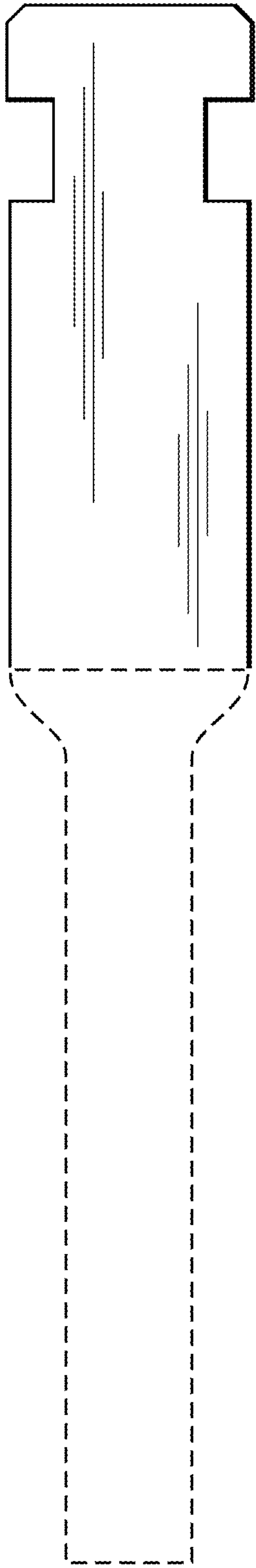


FIG. 2

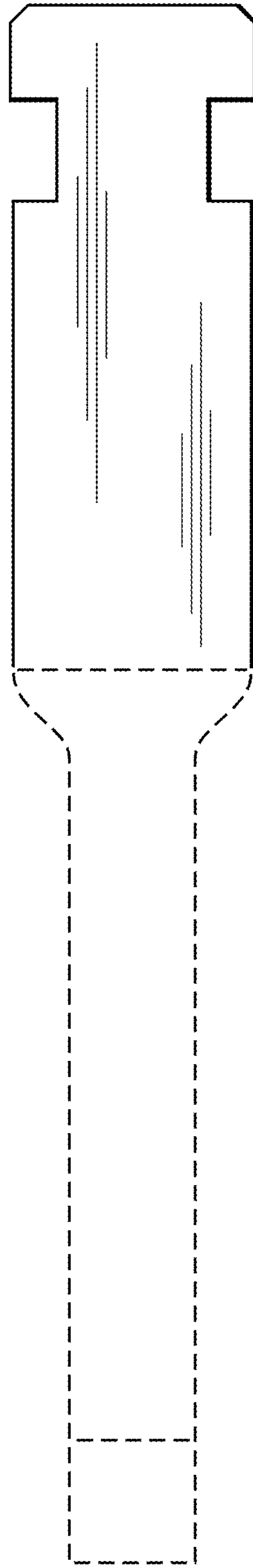


FIG. 3



FIG. 4



FIG. 5

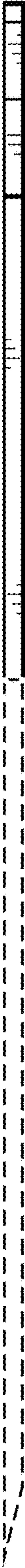


FIG. 6



FIG. 7