



US00D793553S

(12) **United States Design Patent**
Stillson

(10) **Patent No.:** **US D793,553 S**

(45) **Date of Patent:** **** Aug. 1, 2017**

(54) **TAMPER RESISTANT/EVIDENT INDICATOR
FOR CLAVE/IV NEEDLE ASSEMBLY**

(71) Applicant: **Randall Stillson**, Whitefish, MT (US)

(72) Inventor: **Randall Stillson**, Whitefish, MT (US)

(**) Term: **15 Years**

(21) Appl. No.: **29/551,558**

(22) Filed: **Jan. 14, 2016**

(51) **LOC (10) Cl.** **24-02**

(52) **U.S. Cl.**
USPC **D24/130**

(58) **Field of Classification Search**
USPC D24/127-131, 112-114, 133, 186;
606/181, 185; 604/192, 264, 523-528,
604/272, 187, 158, 164.01-164.11, 181,
604/184, 227; 600/101, 139, 143;
128/200.24, 207.14, 207.15
CPC . A61M 39/1011; A61M 5/5086; A61M 5/344
See application file for complete search history.

(56) **References Cited**

U.S. PATENT DOCUMENTS

5,188,612 A * 2/1993 Herrington, Jr. . A61M 25/0631
600/576
5,531,695 A * 7/1996 Swisher A61M 39/1011
285/45

D465,843 S * 11/2002 Guala D24/129
D469,530 S * 1/2003 Gomez D24/128
7,510,564 B2 * 3/2009 Mace A61B 5/150022
606/181
D591,859 S * 5/2009 Stark D24/131
D612,045 S * 3/2010 Sarvazyan D24/133
D624,645 S * 9/2010 Shaffer D24/129
D661,388 S * 6/2012 Clark D24/130
8,491,618 B2 * 7/2013 Nicholls A61B 5/150022
606/181
8,708,971 B2 * 4/2014 Segal A61M 5/3129
604/131
9,295,786 B2 * 3/2016 Gottlieb A61B 5/6849
9,440,061 B2 * 9/2016 Yanik A61M 39/1011

* cited by examiner

Primary Examiner — David Muller

(74) *Attorney, Agent, or Firm* — Harpman & Harpman

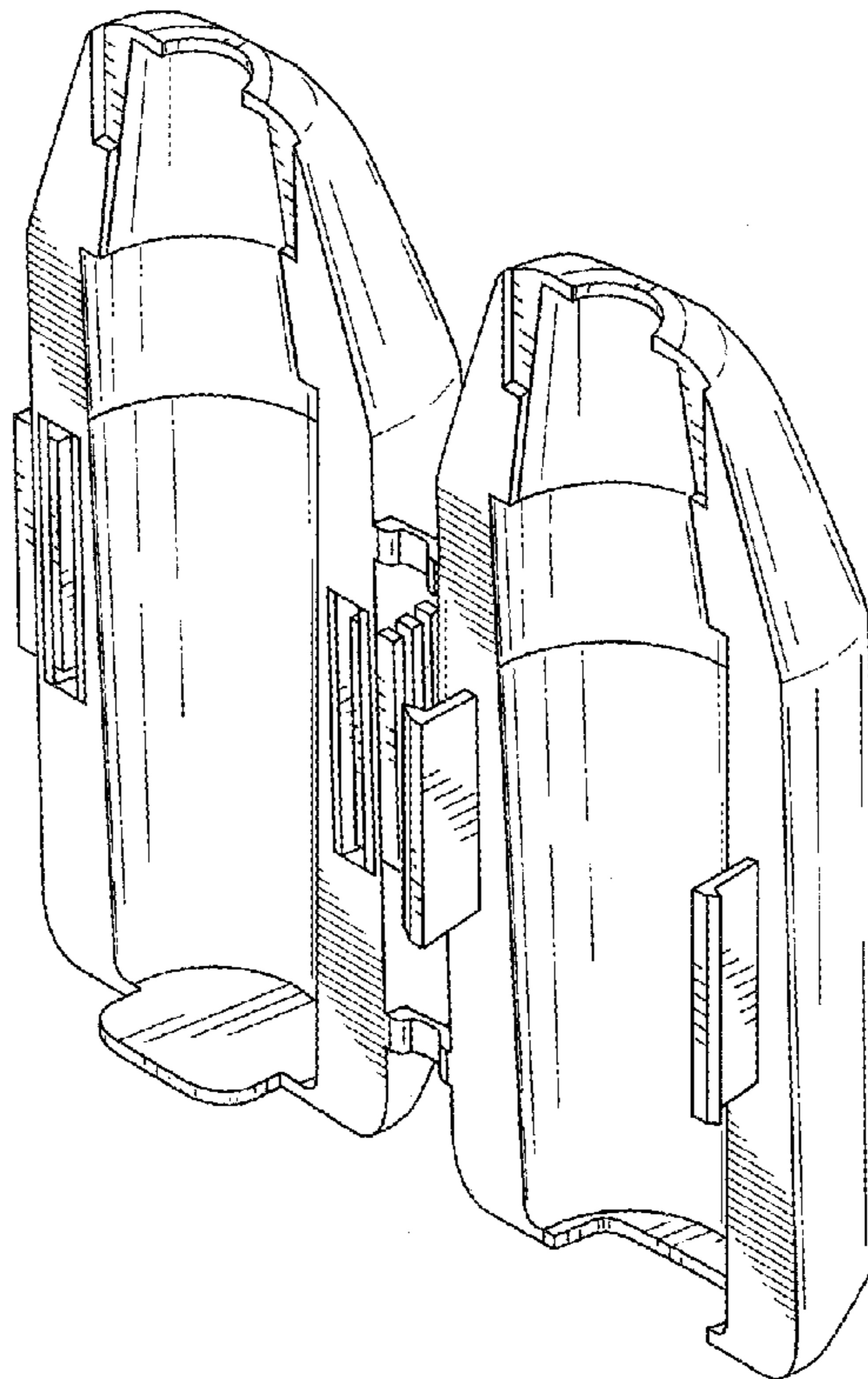
(57) **CLAIM**

The ornamental design for a tamper resistant/evident indicator for clave/IV needle assembly, as shown and described.

DESCRIPTION

FIG. 1 is a perspective view of my ornamental design.
FIG. 2 is a front elevational view thereof.
FIG. 3 is a top plan view thereof.
FIG. 4 is a bottom plan view thereof.
FIG. 5 is a left side elevational view thereof.
FIG. 6 is a right side elevational view thereof; and,
FIG. 7 is a perspective view in closed position.

1 Claim, 5 Drawing Sheets



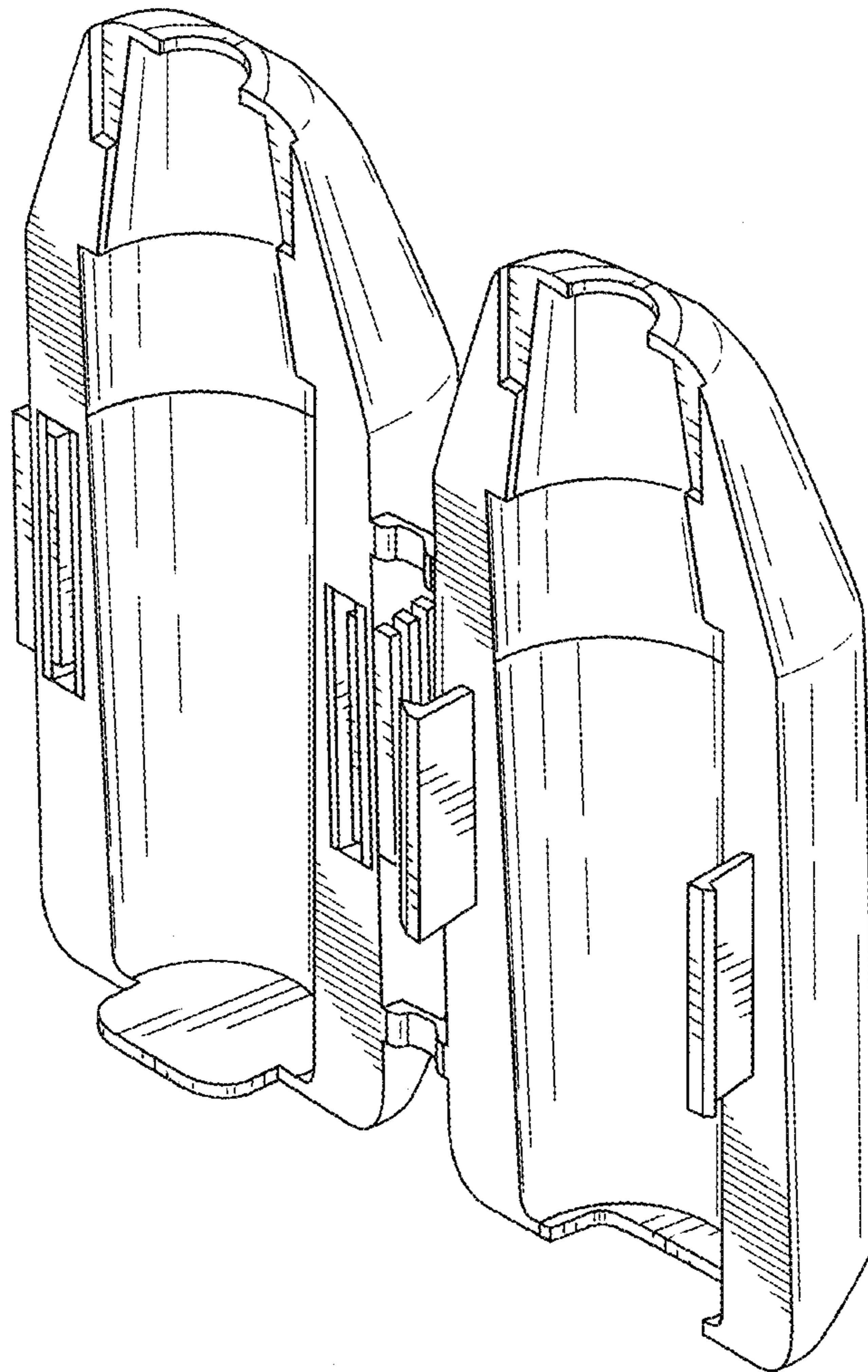


FIG. 1

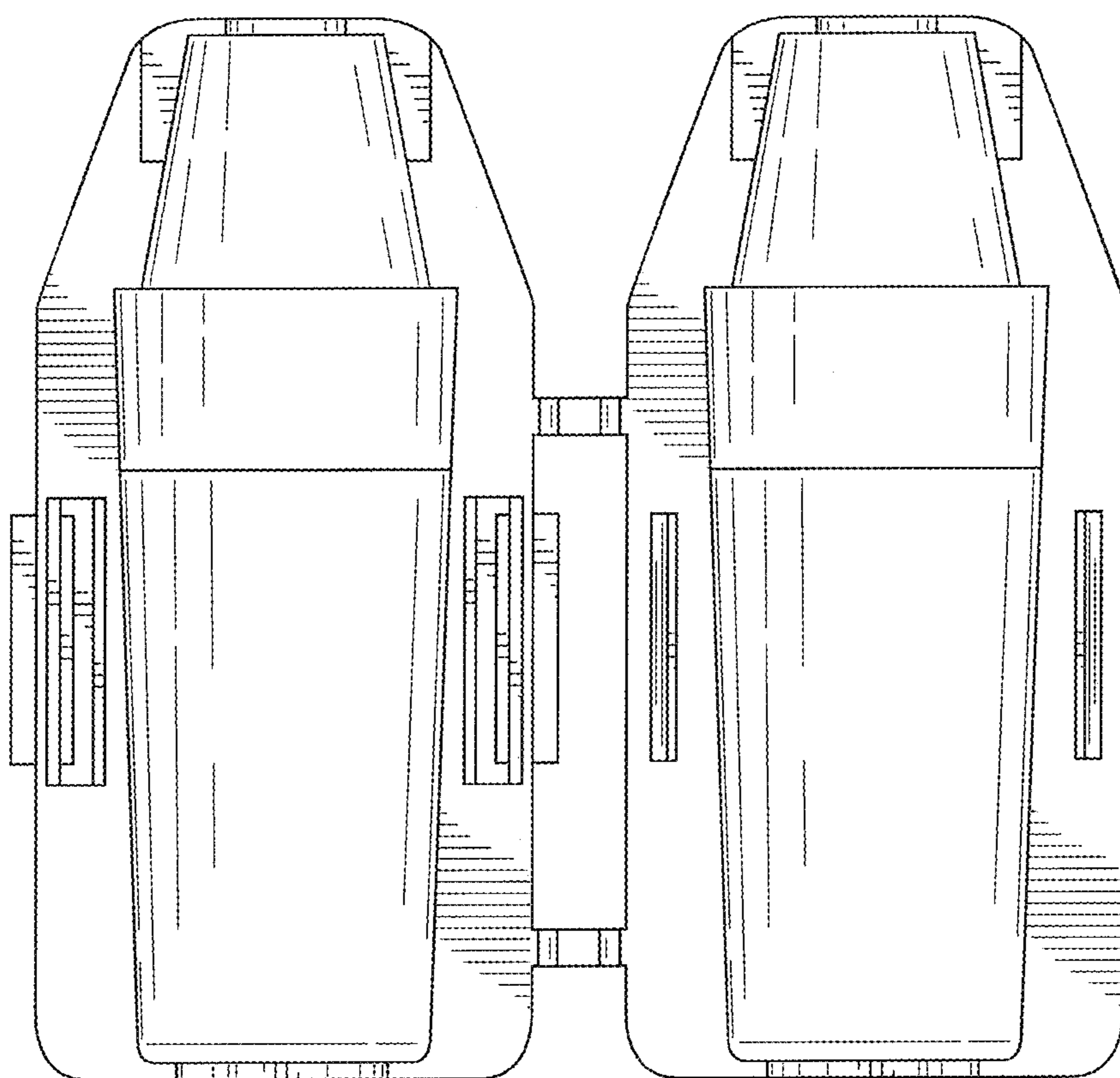


FIG. 2

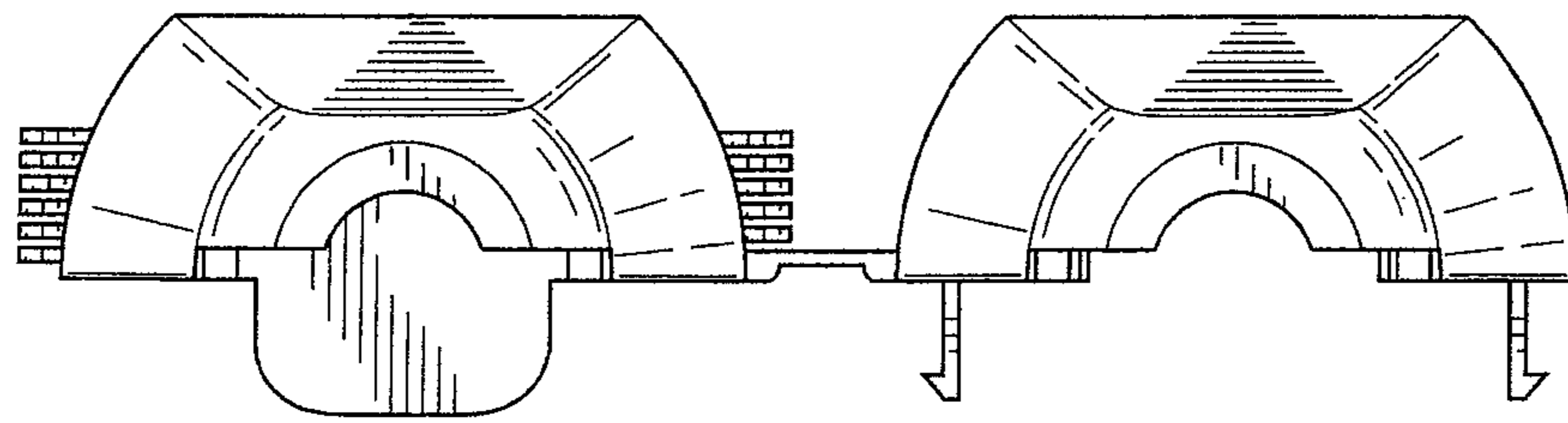


FIG. 3

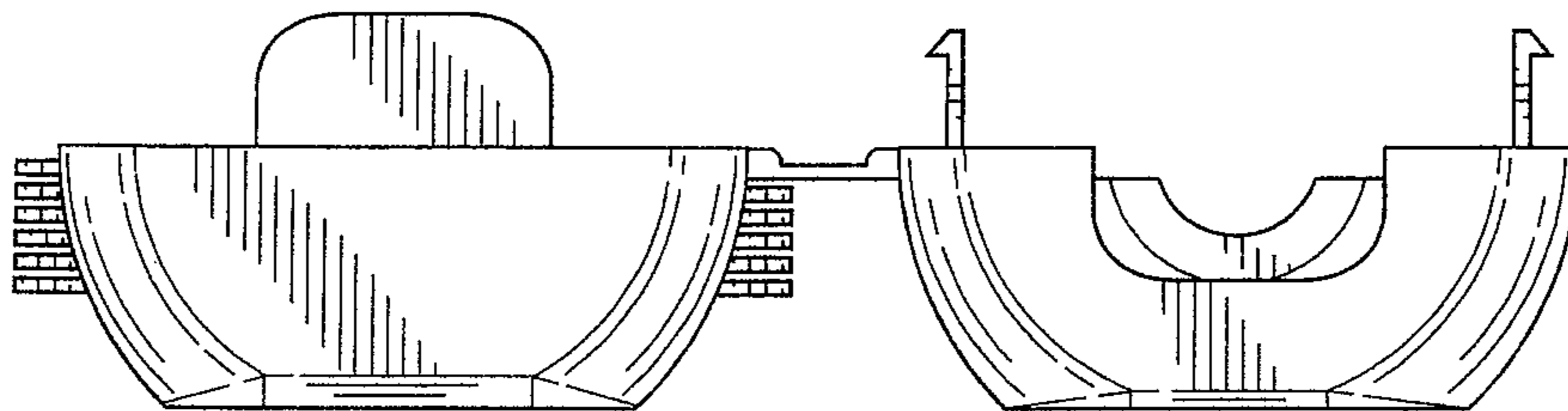


FIG. 4

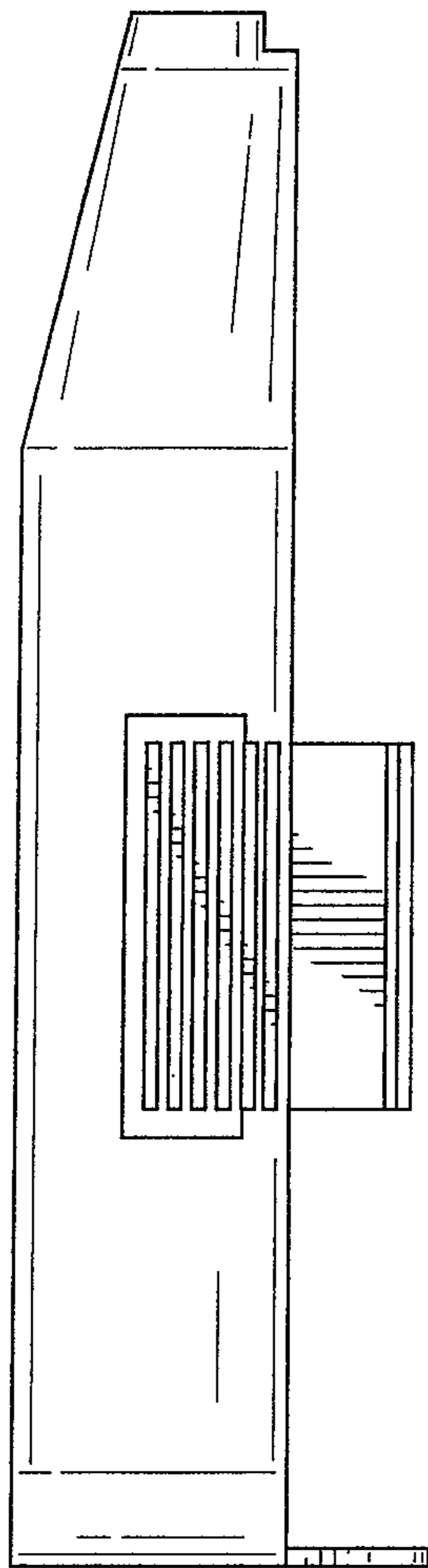


FIG. 5

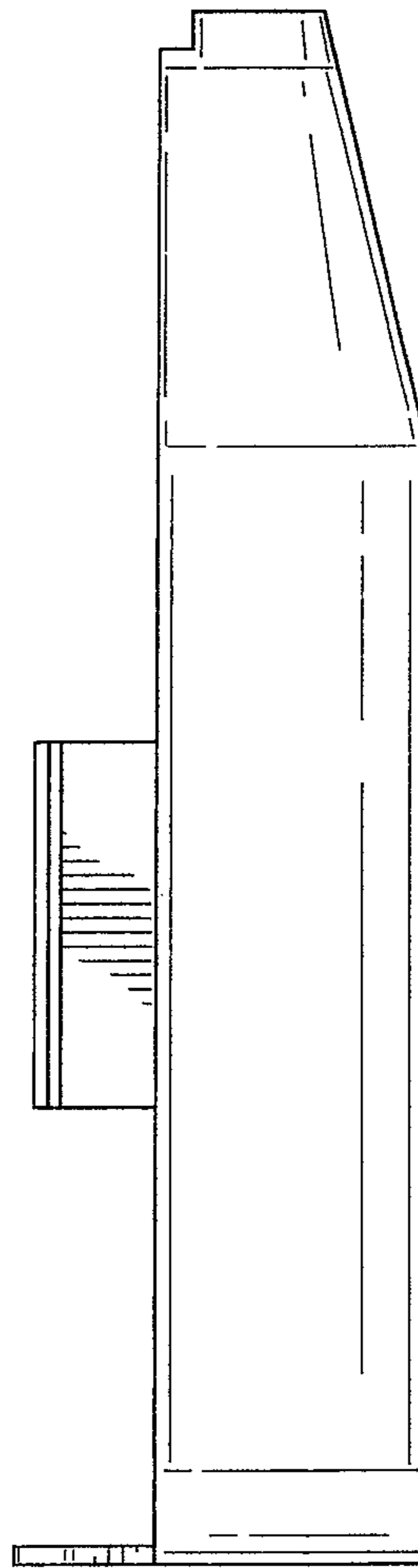


FIG. 6

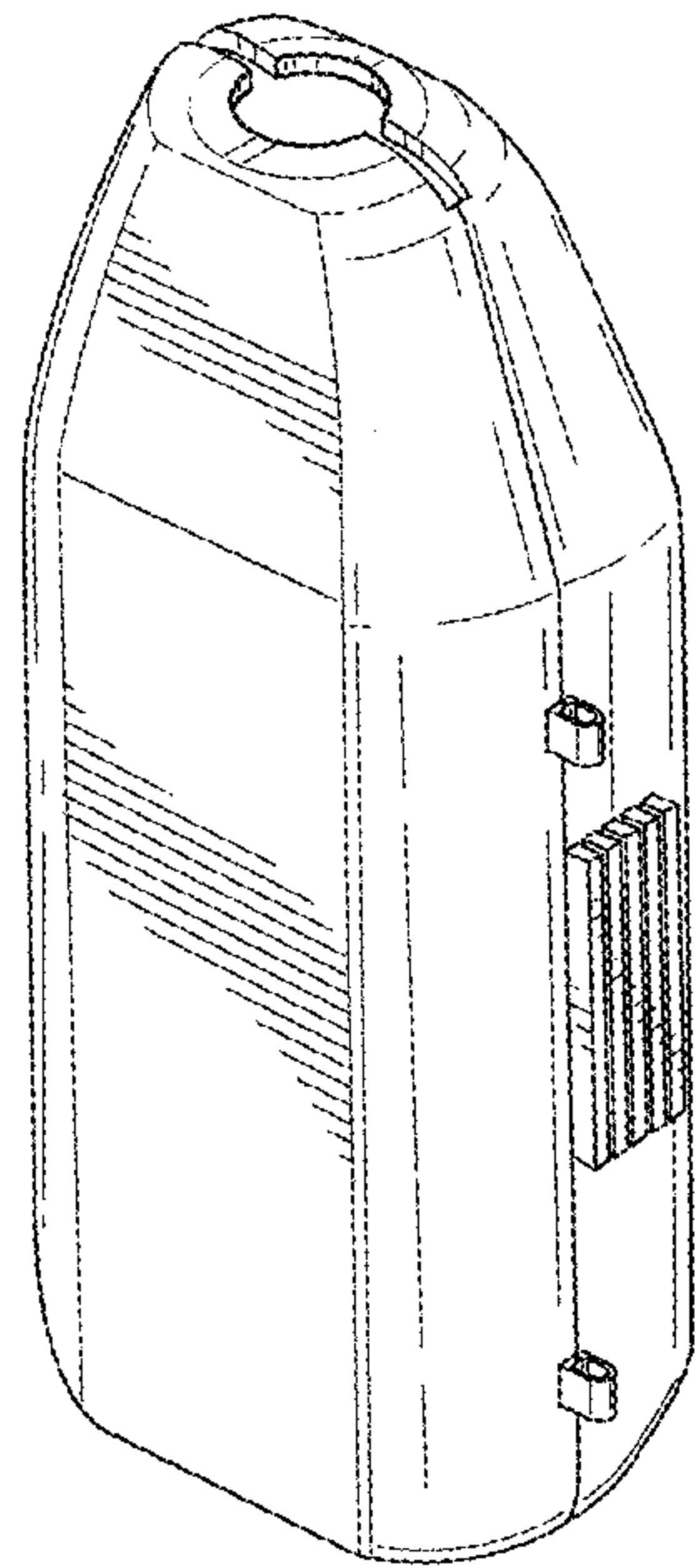


FIG. 7