



US00D793552S

(12) **United States Design Patent** (10) **Patent No.:** **US D793,552 S**
Schiller et al. (45) **Date of Patent:** **** Aug. 1, 2017**

(54) **FLANGE EXTENDER** 4,687,472 A 8/1987 Gross
4,981,476 A * 1/1991 Aichlmayr A61M 5/3213
206/365
(71) Applicant: **BRISTOL-MYERS SQUIBB** 5,098,416 A 3/1992 Imonti
COMPANY, Princeton, NJ (US) 5,306,258 A 4/1994 De la Fuente
5,322,094 A 6/1994 Janesko
(72) Inventors: **Eric Schiller**, Westfield, NJ (US); 5,338,309 A 8/1994 Imbert
Christina Joy Laskar, Fort Lee, NJ 5,419,775 A 5/1995 Haffner et al.
(US); **Mitali Aon**, Martinsville, NJ 5,554,133 A 9/1996 Haffner et al.
(US); **Richard Caizza**, Union City, NJ
(US); **Jon Bell**, Waldwick, NJ (US)
(Continued)

FOREIGN PATENT DOCUMENTS

(73) Assignee: **BRISTOL-MYERS SQUIBB** DE 102006005784 8/2006
COMPANY, Princeton, NJ (US) EP 1190727 3/2002
(**) Term: **15 Years** (Continued)

OTHER PUBLICATIONS

(21) Appl. No.: **29/549,055**
(22) Filed: **Dec. 18, 2015**
International Preliminary Report on Patentability for Int. App. No. PCT/US2012/037933, mailed Jan. 23, 2014.

Related U.S. Application Data

(63) Continuation of application No. 13/180,070, filed on Jul. 11, 2011, now abandoned.

(51) **LOC (10) Cl.** **24-02**
(52) **U.S. Cl.**
USPC **D24/130**

(58) **Field of Classification Search**
USPC D24/127-131, 112-114, 133, 186;
606/181, 185; 604/264, 523-528, 272,
604/187, 158, 164.01-164.11, 181, 184,
604/227; 600/101, 139, 143;
128/200.24, 207.14, 207.15
CPC A61M 5/178; A61M 3/00; A61M 5/20;
A61M 5/31; A61M 5/3146; A61M
5/3129; A61M 5/3148; A61M 5/315
See application file for complete search history.

(56) **References Cited**

U.S. PATENT DOCUMENTS

4,643,724 A 2/1987 Jobe
4,664,128 A 5/1987 Lee

Primary Examiner — David Muller
(74) *Attorney, Agent, or Firm* — McDonnell Boehnen
Hulbert & Berghoff LLP

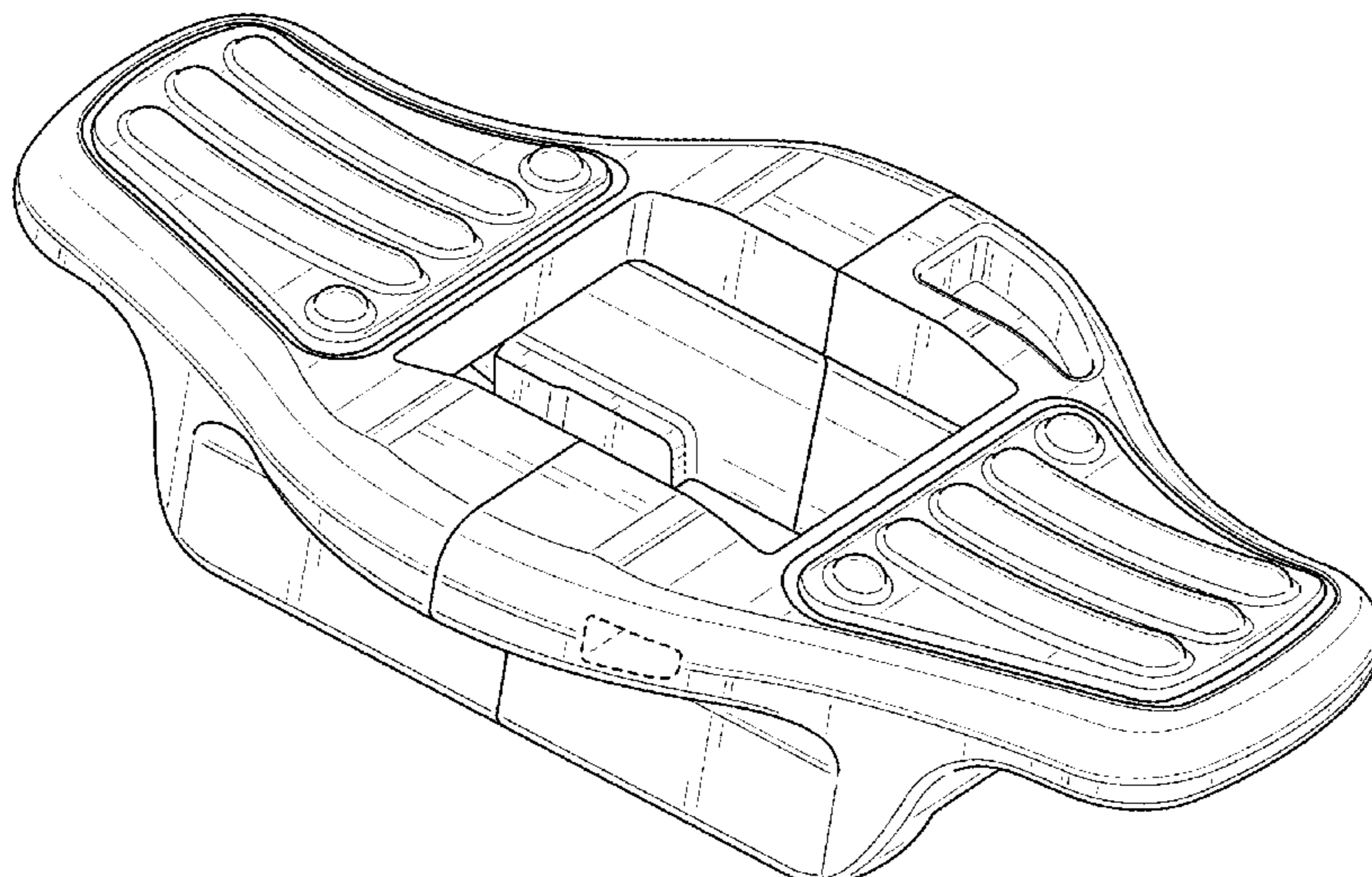
(57) **CLAIM**

The ornamental design for a flange extender, as shown and described.

DESCRIPTION

FIG. 1 is a first embodiment of a flange extender in a perspective view;
FIG. 2 is a front view thereof;
FIG. 3 is a rear view thereof;
FIG. 4 is a left side view thereof;
FIG. 5 is a right side view thereof;
FIG. 6 is a top view thereof; and,
FIG. 7 is a bottom view thereof.
The broken lines illustrate portions of the drawings that form no part of the claimed design.

1 Claim, 7 Drawing Sheets



(56)

References Cited

U.S. PATENT DOCUMENTS

5,618,273 A 4/1997 Fischer
 5,667,495 A 9/1997 Bitdinger et al.
 5,700,247 A 12/1997 Grimard et al.
 5,897,532 A 4/1999 Spallek et al.
 5,984,901 A 11/1999 Sudo et al.
 5,997,514 A 12/1999 Balestracci
 6,126,644 A 10/2000 Naganuma et al.
 D449,379 S * 10/2001 Fuhr D24/133
 6,296,625 B1 10/2001 Vetter et al.
 6,344,032 B1 2/2002 Perez et al.
 6,623,459 B1 9/2003 Doyle
 7,022,112 B2 4/2006 Pokorney
 7,033,343 B2 4/2006 McWethy et al.
 7,094,224 B2 8/2006 Lourenco et al.
 7,255,689 B2 8/2007 Westbye
 7,361,162 B2 4/2008 Koller et al.
 D576,276 S * 9/2008 Osypka D24/130
 D581,044 S * 11/2008 Sudo D24/130
 D581,045 S * 11/2008 Sudo D24/130
 D602,158 S * 10/2009 Cuevas D24/128
 7,601,140 B2 10/2009 Rossback et al.

D649,241 S * 11/2011 Kunishige D24/129
 D660,418 S * 5/2012 Kuczek D24/130
 D675,317 S * 1/2013 Baxter D24/130
 D702,835 S * 4/2014 Vinchon D24/130
 8,887,729 B2 * 11/2014 Harrington A61M 16/0465
 128/207.14
 D751,705 S * 3/2016 Hitscherich, Jr. D24/130
 D757,258 S * 5/2016 Weißhaupt D24/127
 2002/0161337 A1 10/2002 Shaw et al.
 2005/0288625 A1 12/2005 Rossback et al.
 2007/0250017 A1 10/2007 Carred et al.
 2007/0287965 A1 12/2007 Strong et al.
 2008/0188799 A1 8/2008 Mueller-Beckhaus et al.
 2009/0093787 A1 4/2009 Barbour
 2009/0312714 A1 12/2009 Martinsson
 2012/0041388 A1 2/2012 Blomquist

FOREIGN PATENT DOCUMENTS

FR 2855413 12/2004
 WO 2005/089840 9/2005
 WO 2011/019605 2/2011
 WO 2011/122351 10/2011

* cited by examiner

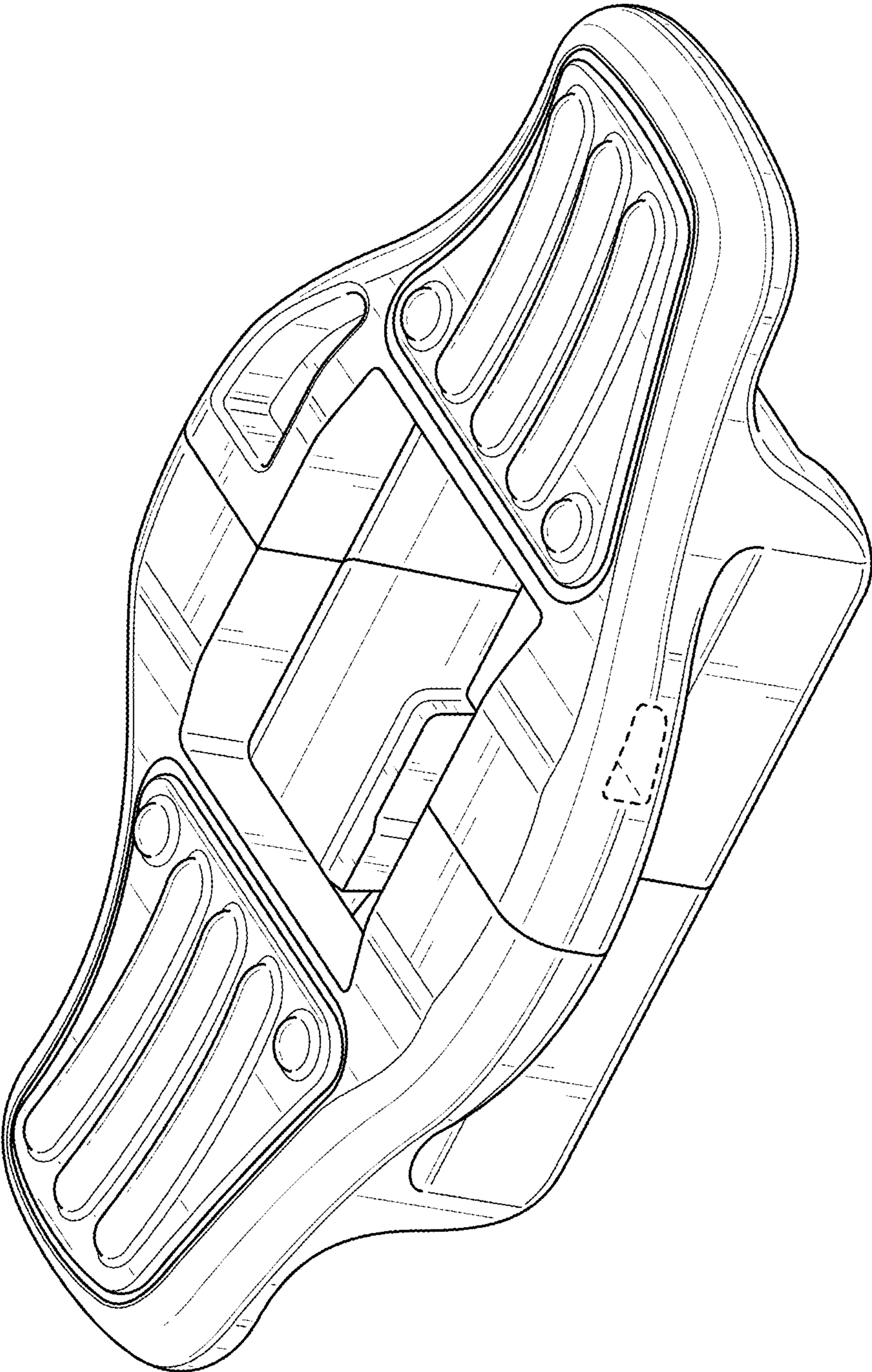


FIG. 1

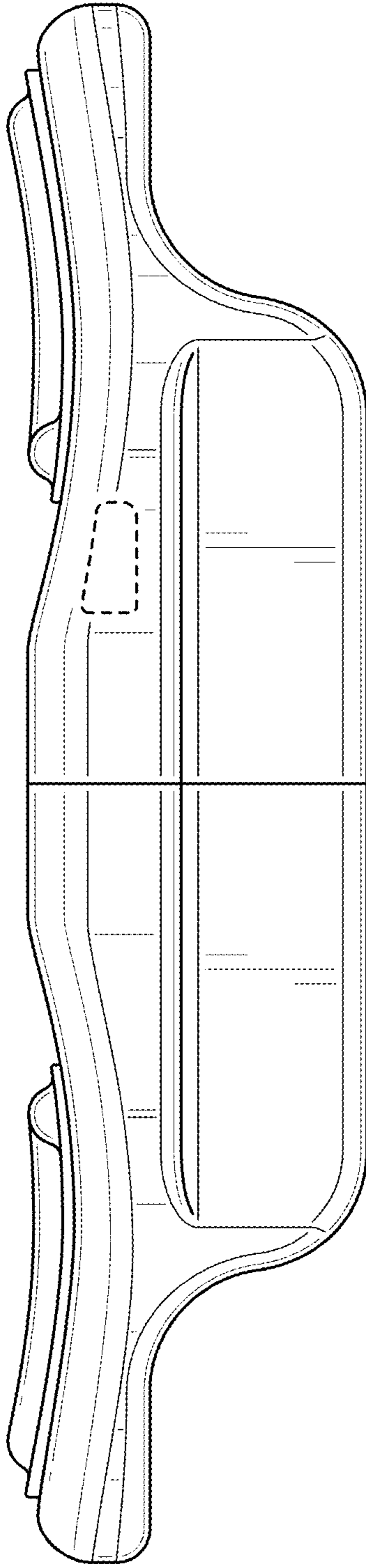


FIG. 2

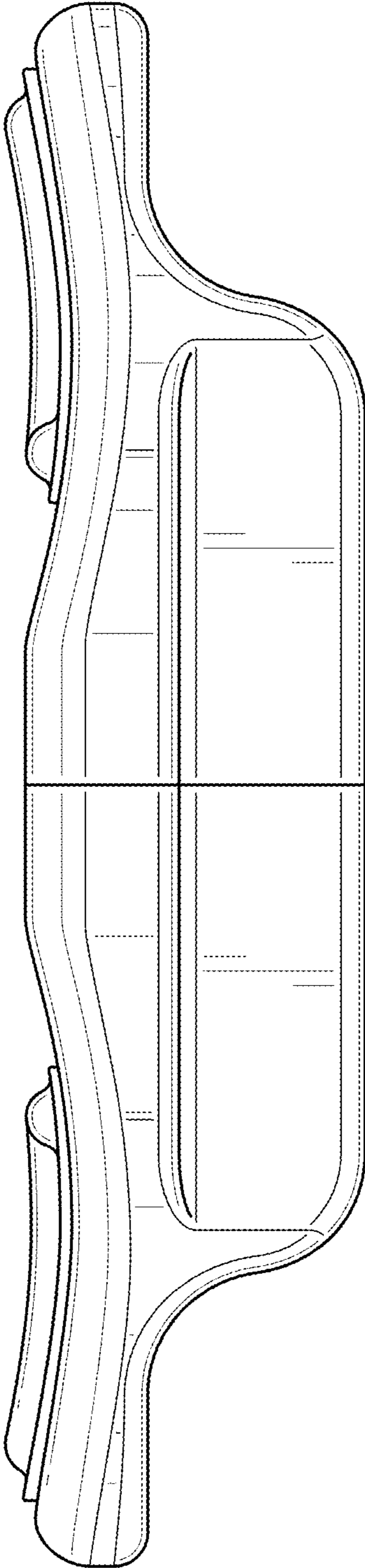


FIG. 3

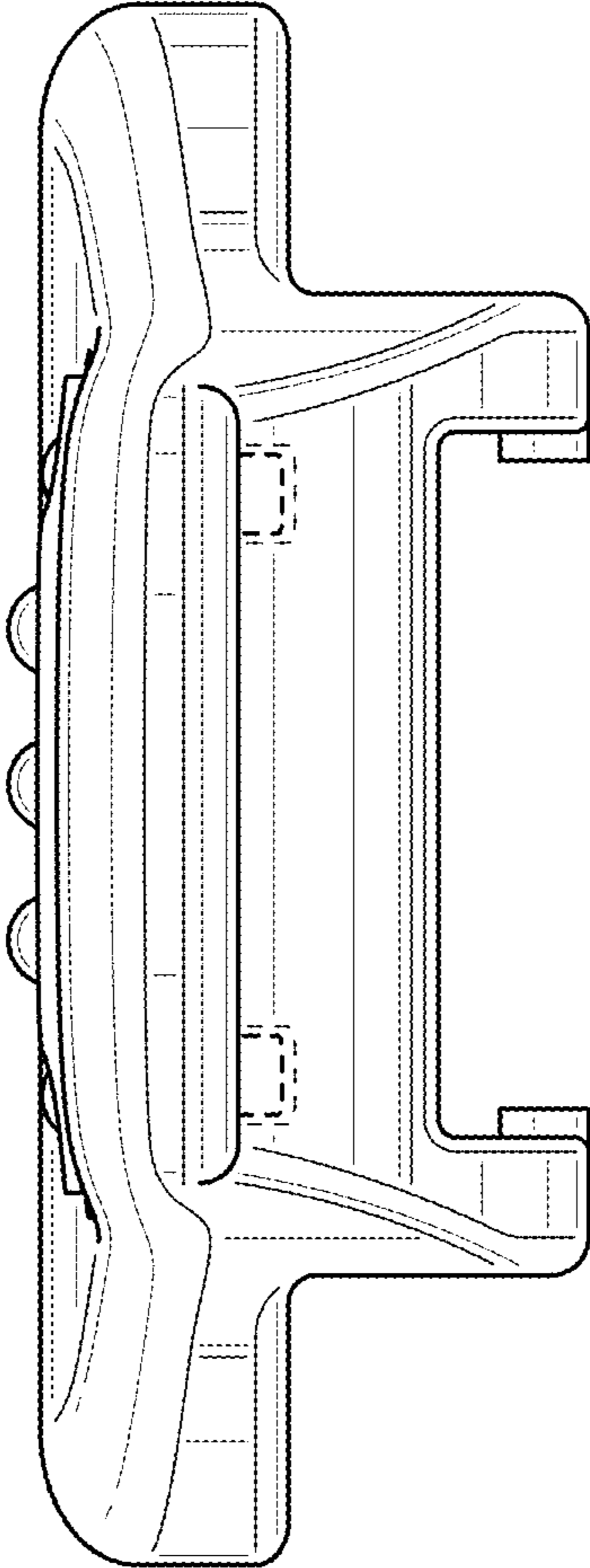


FIG. 4

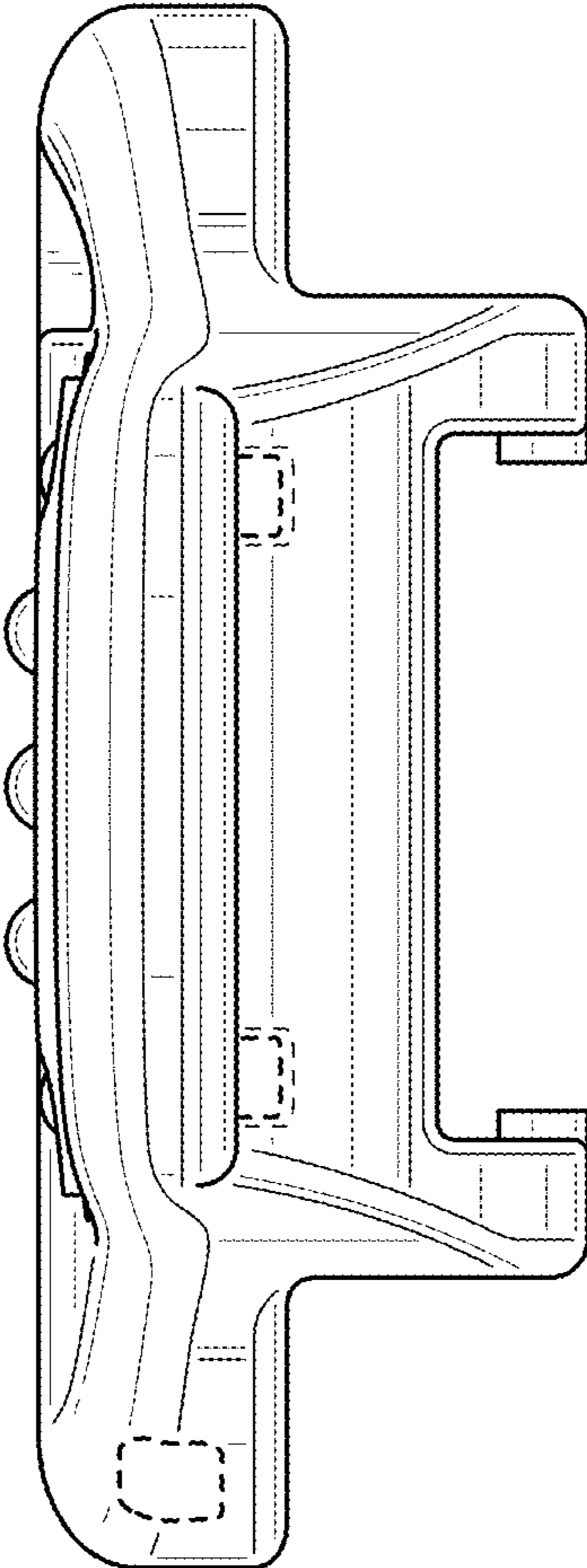


FIG. 5

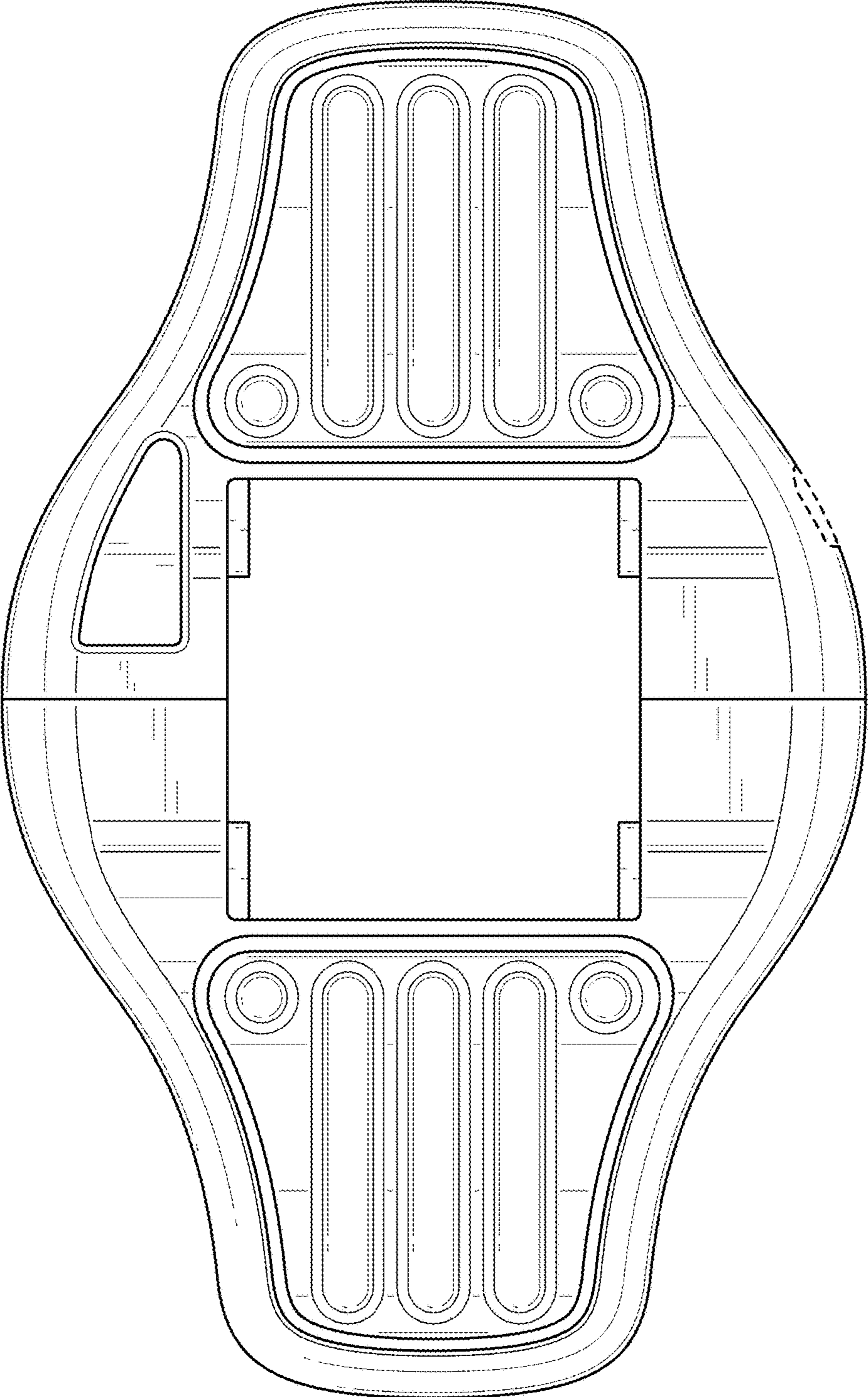


FIG. 6

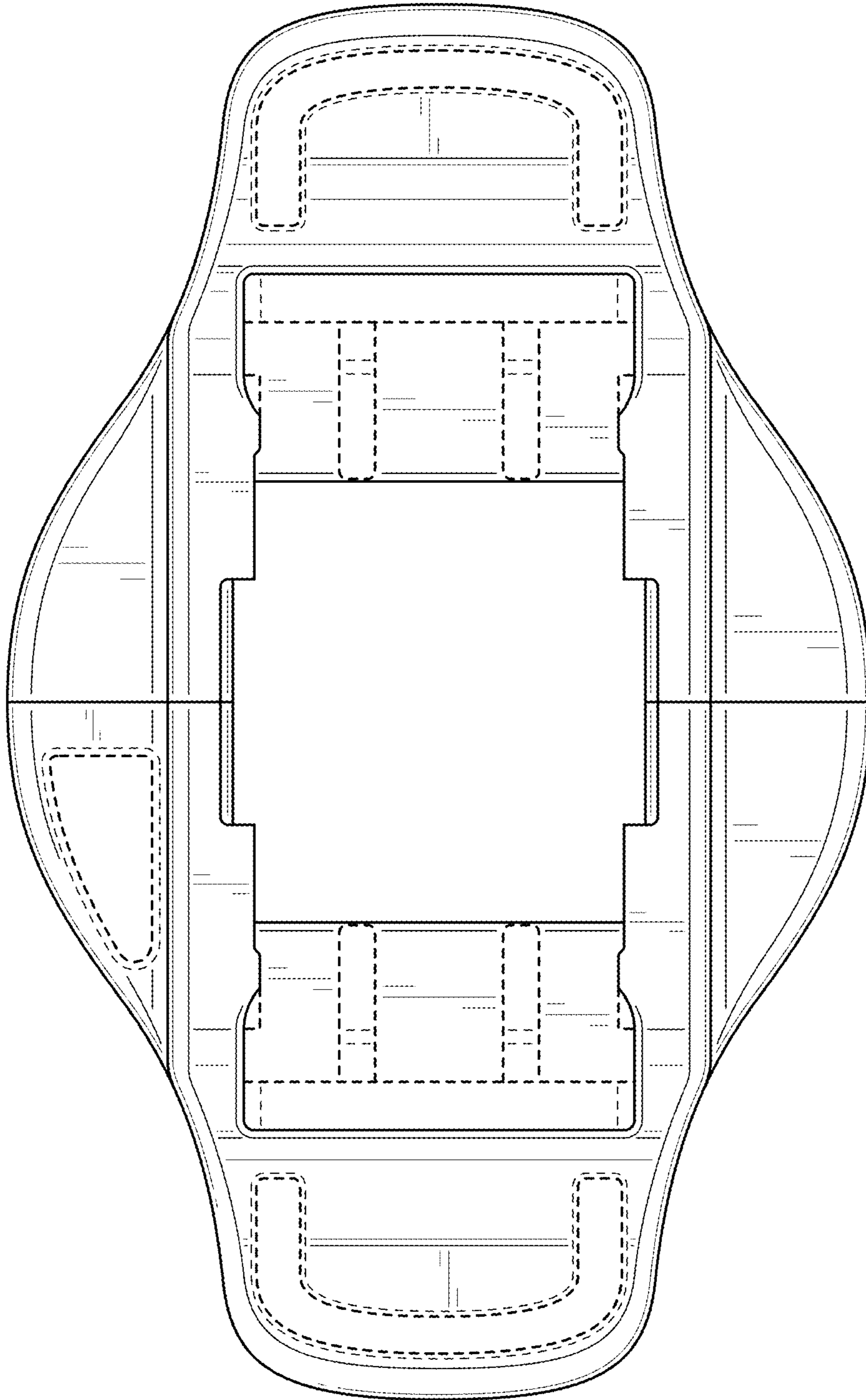


FIG. 7