

US00D793550S

(12) **United States Design Patent** (10) **Patent No.:** **US D793,550 S**
Defusco (45) **Date of Patent:** **** Aug. 1, 2017**

(54) CATHETER CLIP	5,152,739 A * 10/1992 Grob A61F 5/05866 602/12
(71) Applicant: DEPUY SYNTHES PRODUCTS, INC., Raynham, MA (US)	D381,367 S * 7/1997 Rashman D20/22 D399,315 S * 10/1998 Fulk D24/114 6,595,937 B1 * 7/2003 Moon A61F 5/05841 602/20
(72) Inventor: Michael A. Defusco, North Attleboro, MA (US)	D571,463 S * 6/2008 Chesnin D24/128 8,109,273 B2 * 2/2012 Golden A61F 5/05841 128/846
(73) Assignee: DEPUY SYNTHES PRODUCTS, INC., Raynham, MA (US)	D655,407 S * 3/2012 Adams D24/128 D685,087 S * 6/2013 Voic D24/133 D691,032 S * 10/2013 Chen D8/396 D728,165 S * 4/2015 Davis D29/121.2
(**) Term: 15 Years	2008/0272254 A1 * 11/2008 Harr A61M 5/1415 248/218.4

(21) Appl. No.: **29/563,417**

(22) Filed: **May 4, 2016**

(51) **LOC (10) Cl.** **24-01**

(52) **U.S. Cl.**
USPC **D24/128**

(58) **Field of Classification Search**
USPC D24/127-131, 112-114, 133, 18;
606/181, 185; 604/264, 272, 115, 232,
604/187, 158, 164.08, 192, 263, 163, 181,
604/184, 198, 227; 600/101, 139, 143;
128/200.24, 207.14, 207.15
CPC A61B 2017/00243; A61B 17/0487; A61B
17/0469; A61B 2017/00867; A61B
2017/0464
See application file for complete search history.

(56) **References Cited**
U.S. PATENT DOCUMENTS
D225,472 S * 12/1972 Lowrey 128/889
4,435,174 A * 3/1984 Redmond A61M 25/02
128/DIG. 26

* cited by examiner

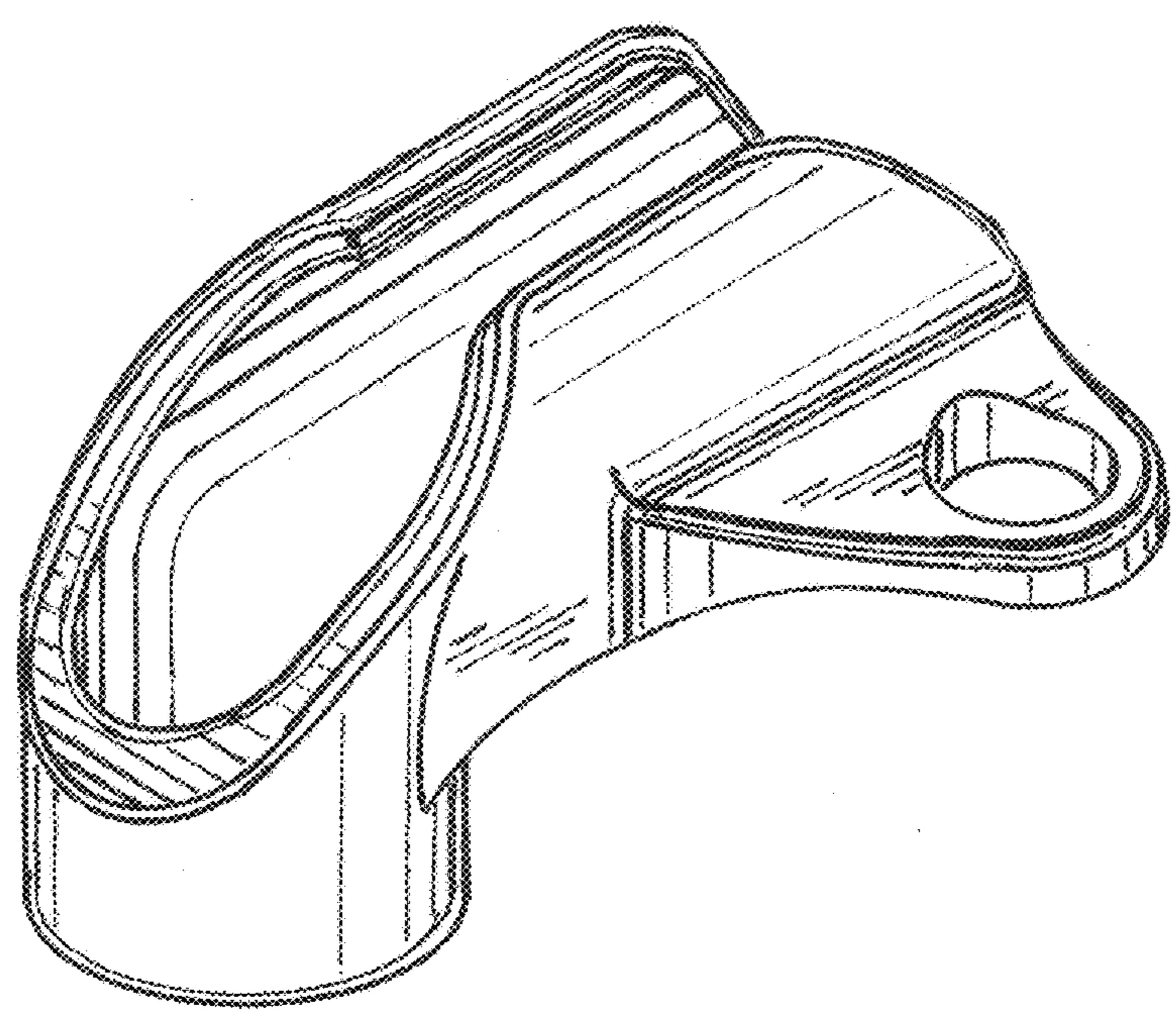
Primary Examiner — David Muller
Assistant Examiner — Nathan Johnston

(57) **CLAIM**
The ornamental design for a catheter clip, as shown and described.

DESCRIPTION

FIG. 1 is a perspective view of the catheter clip showing my new design;
FIG. 2 is another perspective view thereof;
FIG. 3 is a front elevation view thereof;
FIG. 4 is a side elevation view thereof;
FIG. 5 is a rear elevation view thereof;
FIG. 6 is a top plan view thereof; and,
FIG. 7 is a bottom plan view thereof.

1 Claim, 2 Drawing Sheets



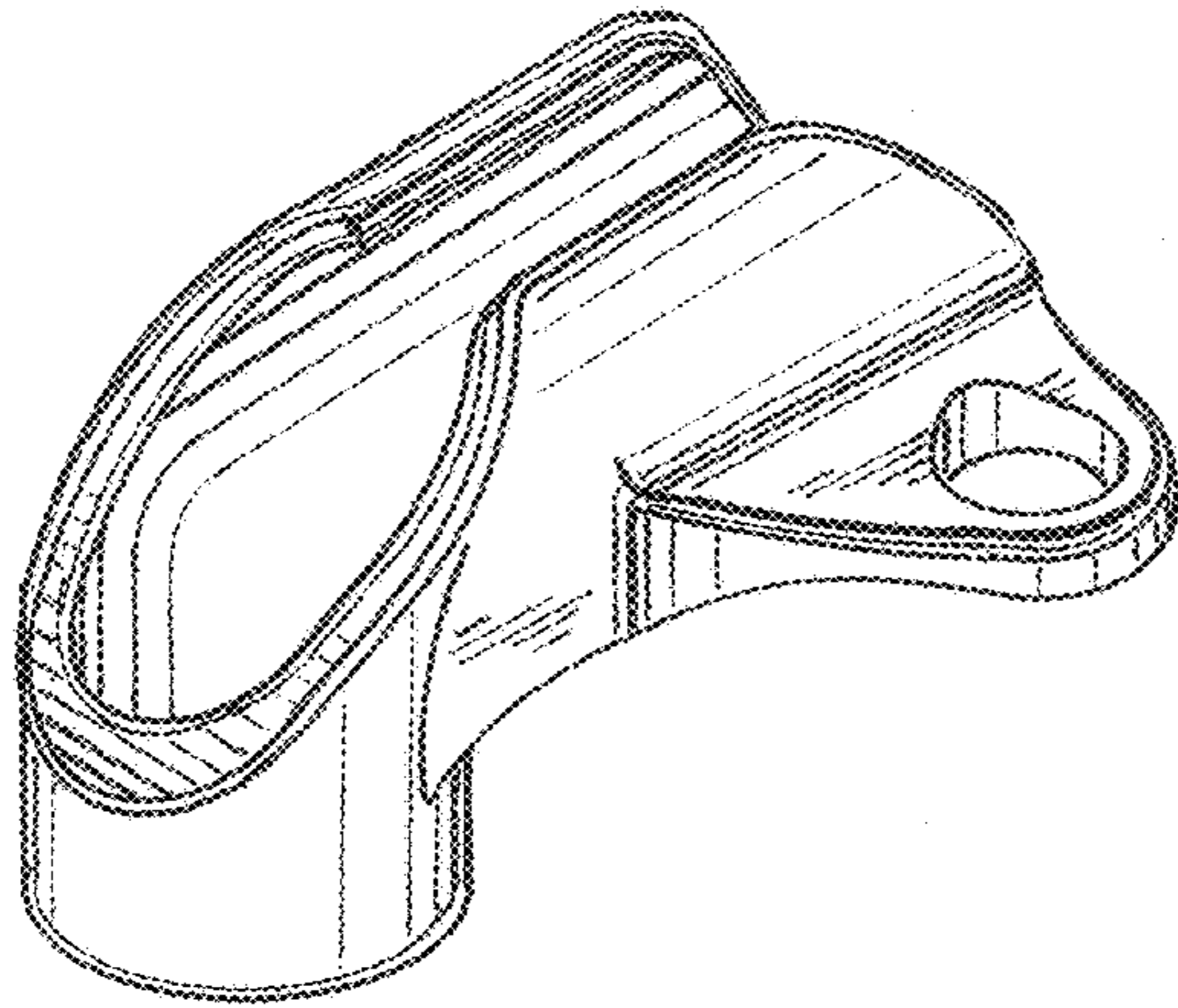


FIG. 1

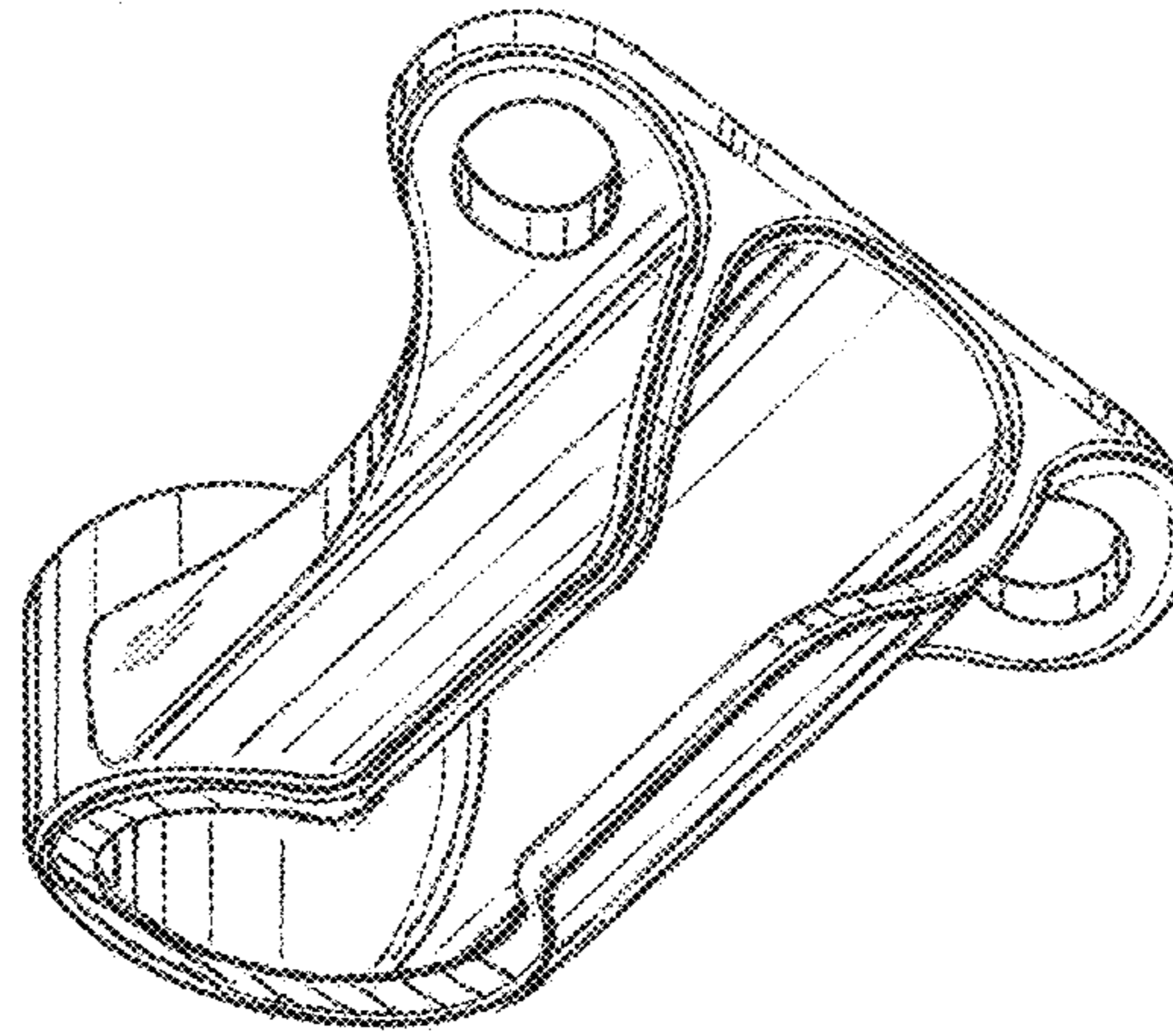


FIG. 2

FIG. 3

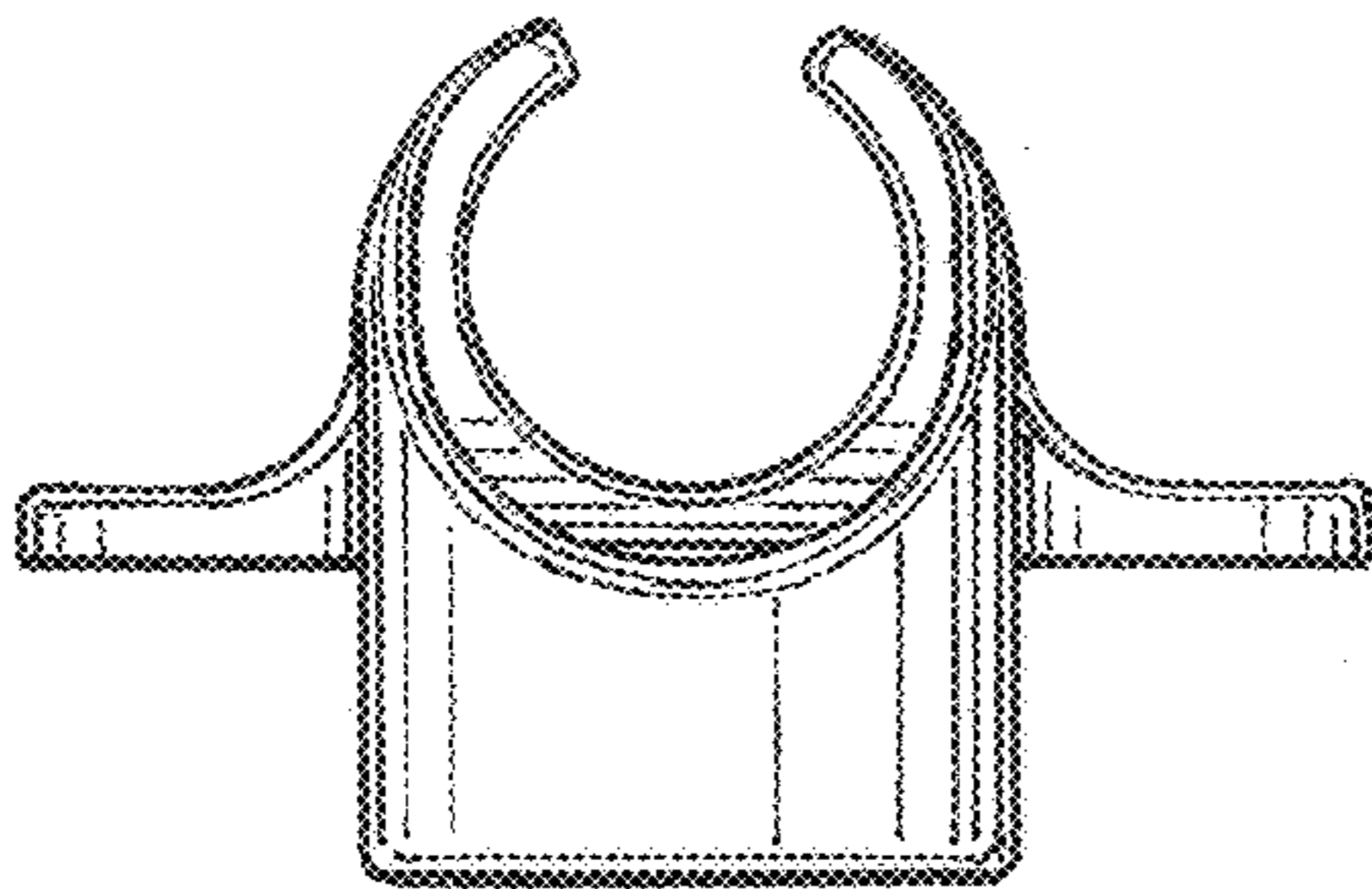


FIG. 4

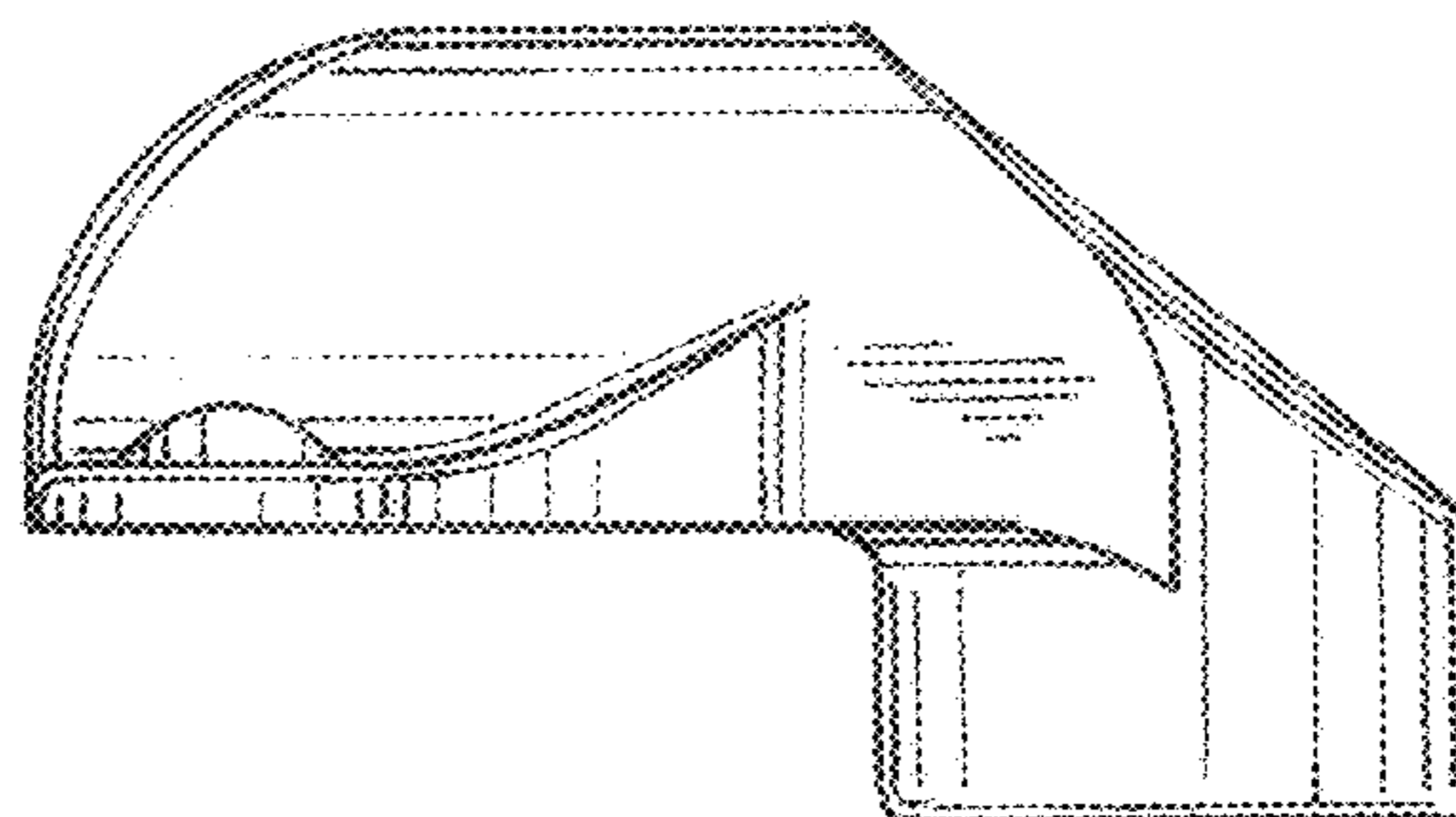


FIG. 5

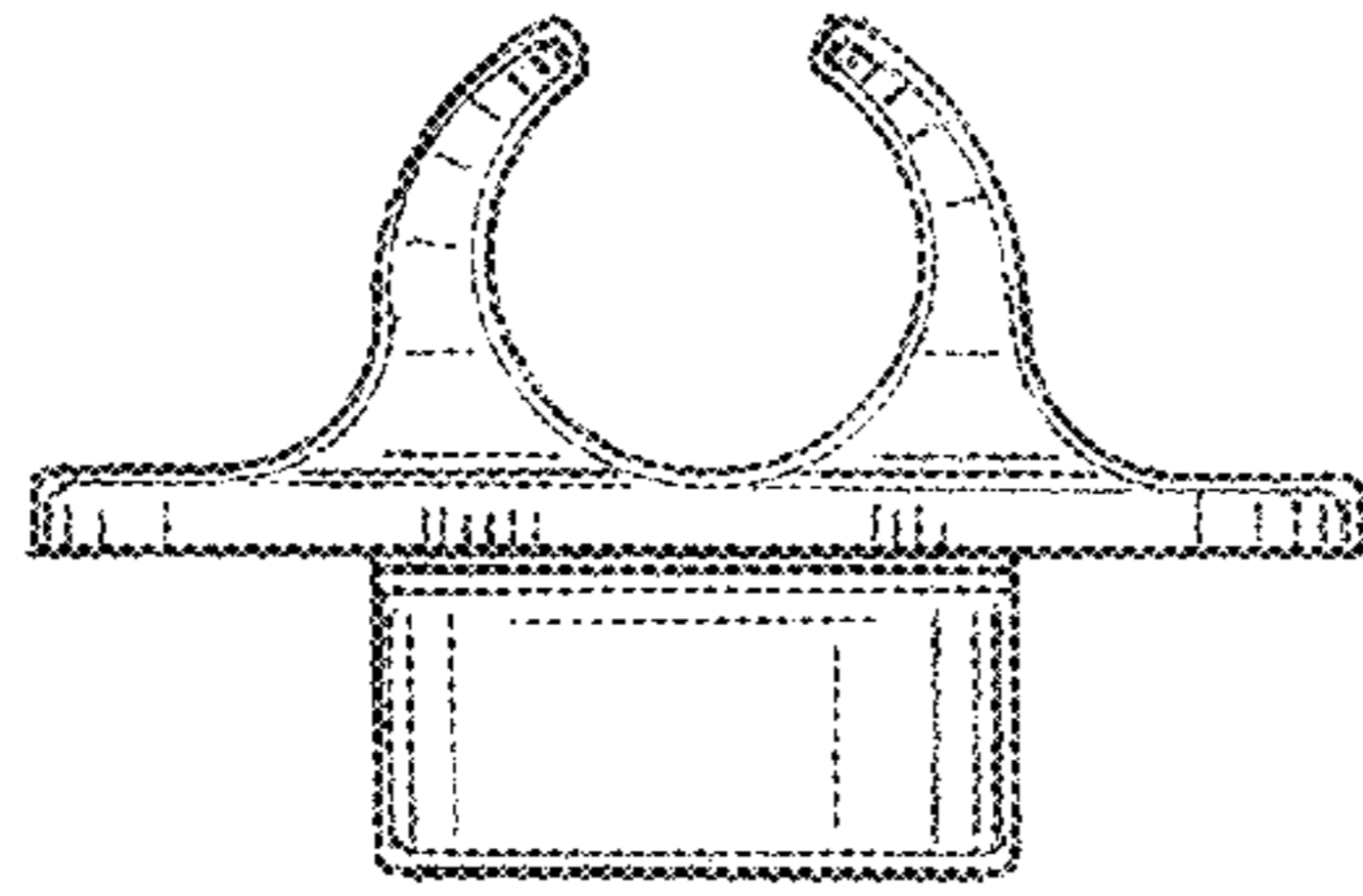


FIG. 6

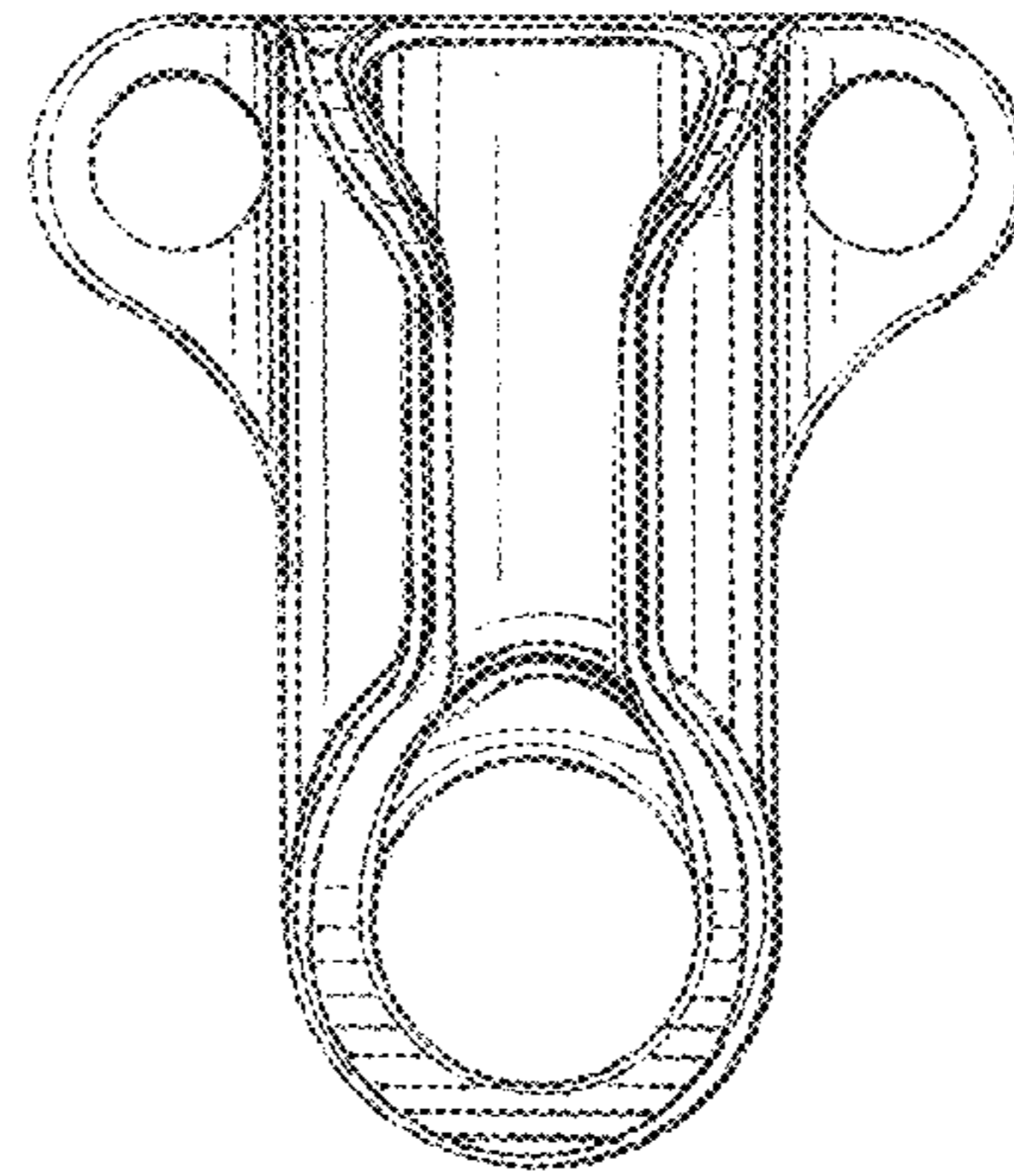


FIG. 7

