



US00D793549S

(12) **United States Design Patent** (10) **Patent No.:** **US D793,549 S**
Defusco (45) **Date of Patent:** **** Aug. 1, 2017**

(54) **CATHETER CLIP**
(71) Applicant: **DEPUY SYNTHES PRODUCTS, INC., RAYNHAM, MA (US)**
(72) Inventor: **Michael A. Defusco**, North Attleboro, MA (US)
(73) Assignee: **DEPUY SYNTHES PRODUCTS, INC., Raynham, MA (US)**
(**) Term: **15 Years**
(21) Appl. No.: **29/563,415**
(22) Filed: **May 4, 2016**
(51) **LOC (10) Cl.** **24-01**
(52) **U.S. Cl.**
USPC **D24/128**
(58) **Field of Classification Search**
USPC D24/127-131, 112-114, 133, 186;
606/181, 185; 604/264, 272, 115, 232,
604/187, 158, 164.08, 192, 263, 163, 181,
604/184, 198, 227; 600/101, 139, 143;
128/200.24, 207.14, 207.15
CPC A61B 2017/00243; A61B 17/0487; A61B
17/0469; A61B 2017/00867; A61B
2017/0464
See application file for complete search history.

D350,201 S 8/1994 Hirsch
D381,367 S * 7/1997 Rashman D20/22
D399,315 S * 10/1998 Fulk D24/114
5,865,842 A 2/1999 Knuth
5,916,200 A 6/1999 Eppley
5,927,277 A 7/1999 Baudino
6,044,304 A 3/2000 Baudino
6,595,937 B1 * 7/2003 Moon A61F 5/05841
602/20
7,090,661 B2 8/2006 Morris
7,216,676 B2 5/2007 Barnhouse
7,270,650 B2 9/2007 Morris
D571,463 S * 6/2008 Chesnin D24/128
7,517,337 B2 4/2009 Morris
7,580,756 B2 8/2009 Schulte
7,604,644 B2 10/2009 Schulte
8,109,273 B2 * 2/2012 Golden A61F 5/05841
128/846
D655,407 S * 3/2012 Adams D24/128
8,128,600 B2 3/2012 Gill
8,140,173 B2 3/2012 Schorn
D685,087 S * 6/2013 Voic D24/133
D691,032 S * 10/2013 Chen D8/396

(Continued)

Primary Examiner — David Muller
Assistant Examiner — Nathan Johnston

(57) **CLAIM**

The ornamental design for a catheter clip, as shown and described.

DESCRIPTION

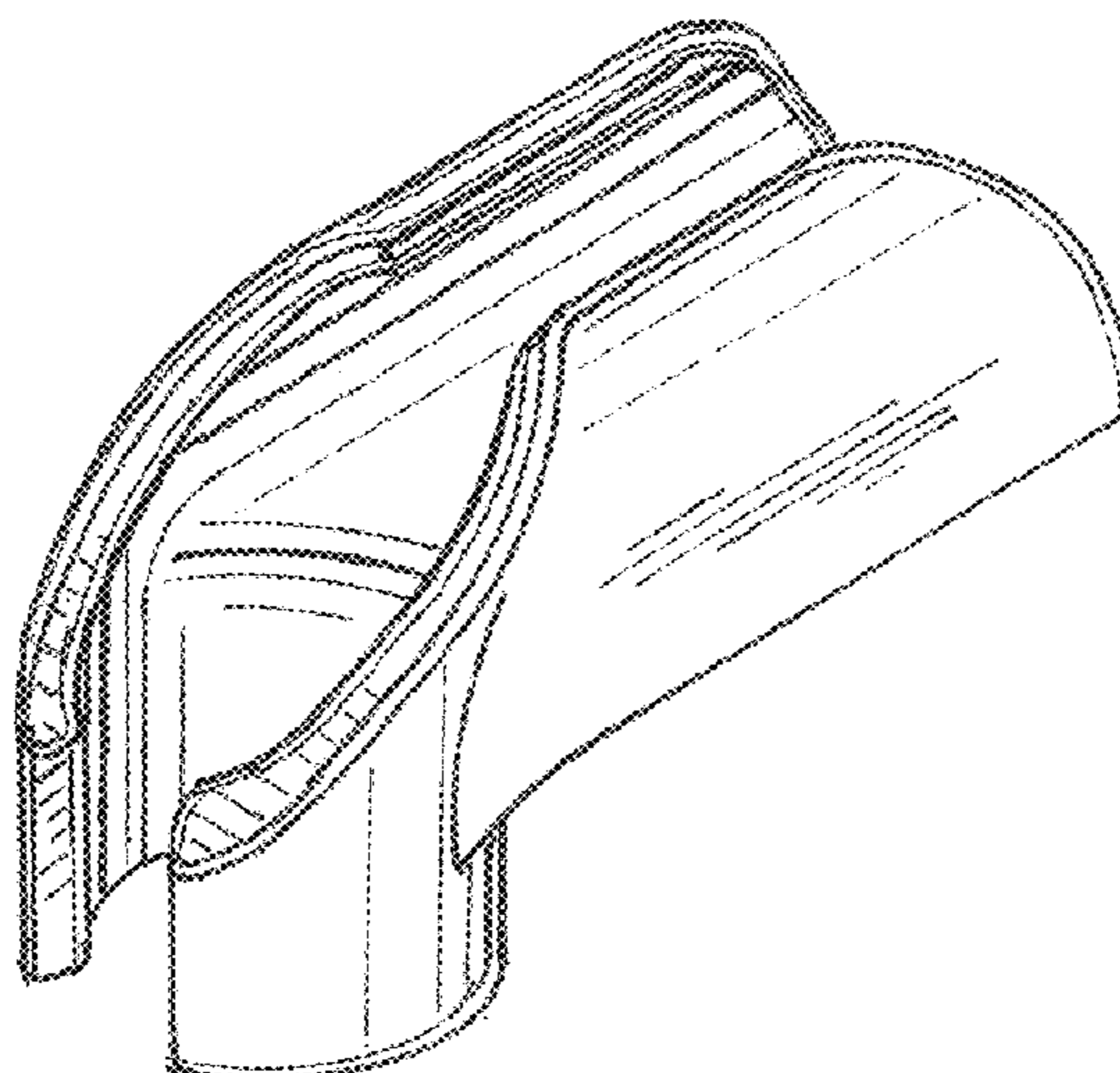
FIG. 1 is a perspective view of the catheter clip showing my new design;
FIG. 2 is another perspective view thereof;
FIG. 3 is a front elevation view thereof;
FIG. 4 is a side elevation view thereof;
FIG. 5 is a rear elevation view thereof;
FIG. 6 is a top plan view thereof; and,
FIG. 7 is a bottom plan view thereof.

1 Claim, 2 Drawing Sheets

(56) **References Cited**

U.S. PATENT DOCUMENTS

3,568,679 A 3/1971 Reif
3,672,367 A 6/1972 Scislowicz
D225,472 S * 12/1972 Lowrey 128/889
4,435,174 A * 3/1984 Redmond A61M 25/02
128/DIG. 26
D273,993 S 5/1984 Schulte
5,129,912 A 7/1992 Noda
5,152,739 A * 10/1992 Grob A61F 5/05866
602/12



(56)

References Cited

U.S. PATENT DOCUMENTS

8,603,038	B2	12/2013	Nelson	
D700,963	S	3/2014	Elist	
8,738,151	B2	5/2014	Nelson	
D728,165	S *	4/2015	Davis	D29/121.2
2003/0199831	A1	10/2003	Morris	
2008/0272254	A1 *	11/2008	Harr	A61M 5/1415 248/218.4
2011/0282319	A1	11/2011	Gill	
2014/0236091	A1	8/2014	Nelson	
2014/0276416	A1	9/2014	Nelson	
2014/0276418	A1	9/2014	Nelson	
2014/0276529	A1	9/2014	Bodner	

* cited by examiner

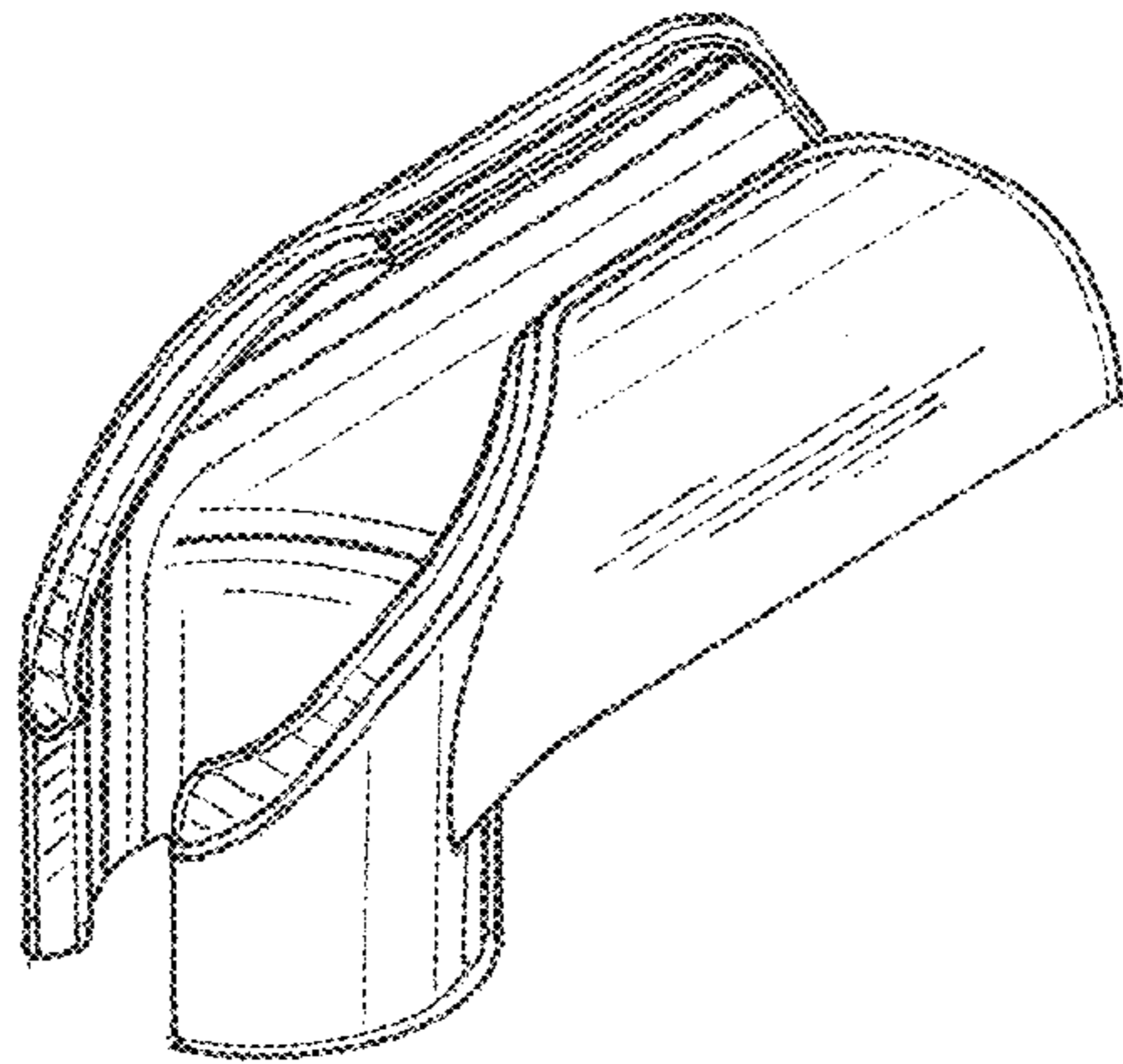


FIG. 1

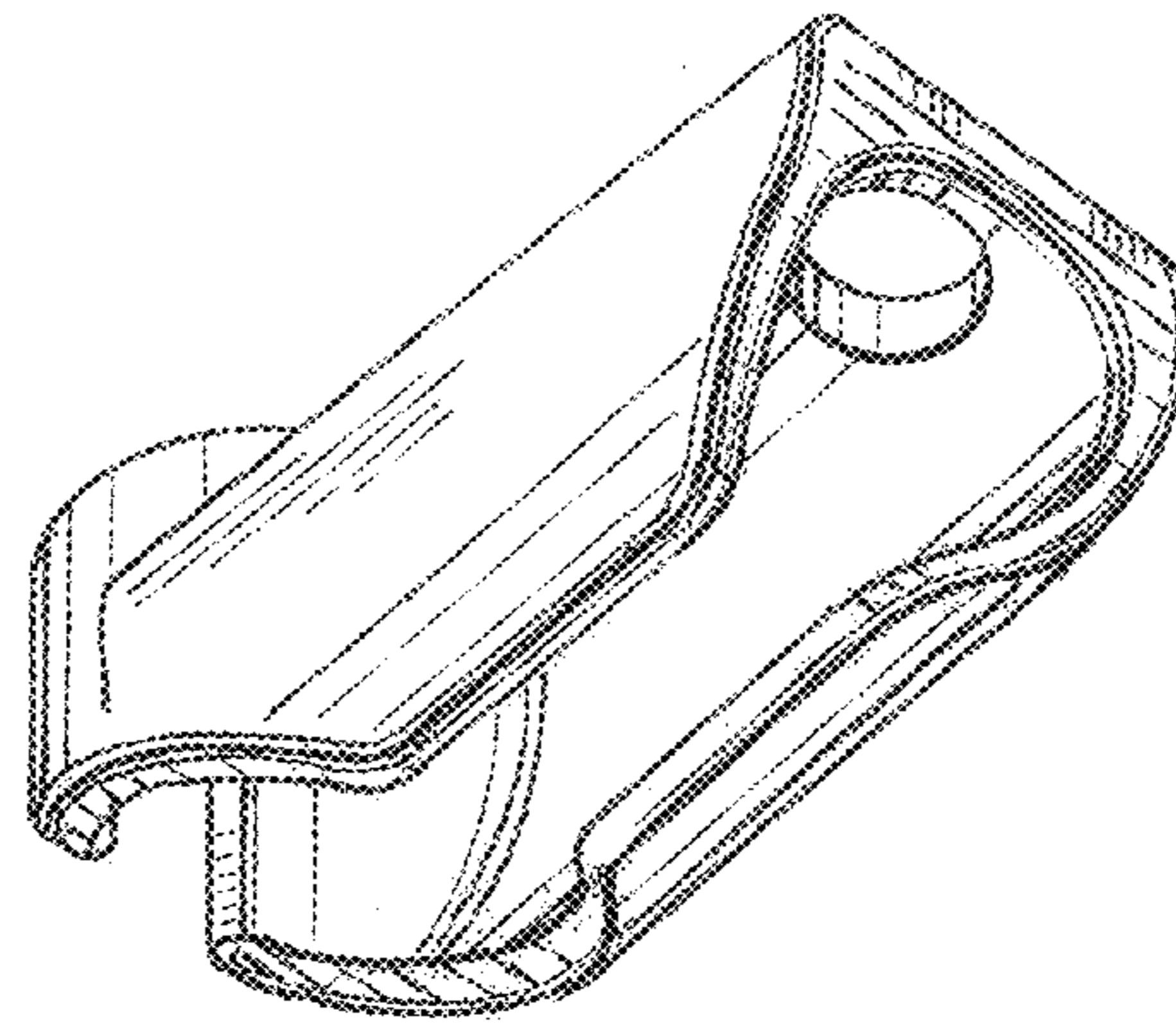


FIG. 2

FIG. 3

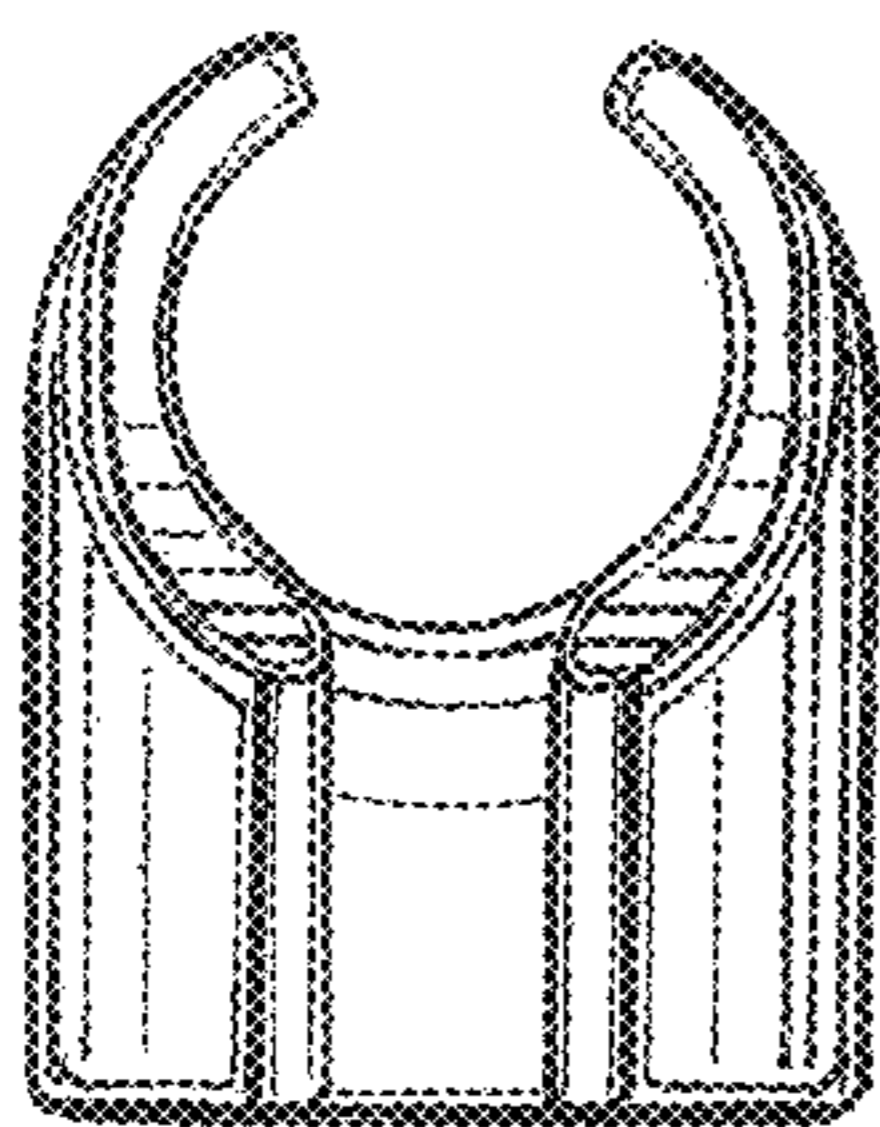


FIG. 4

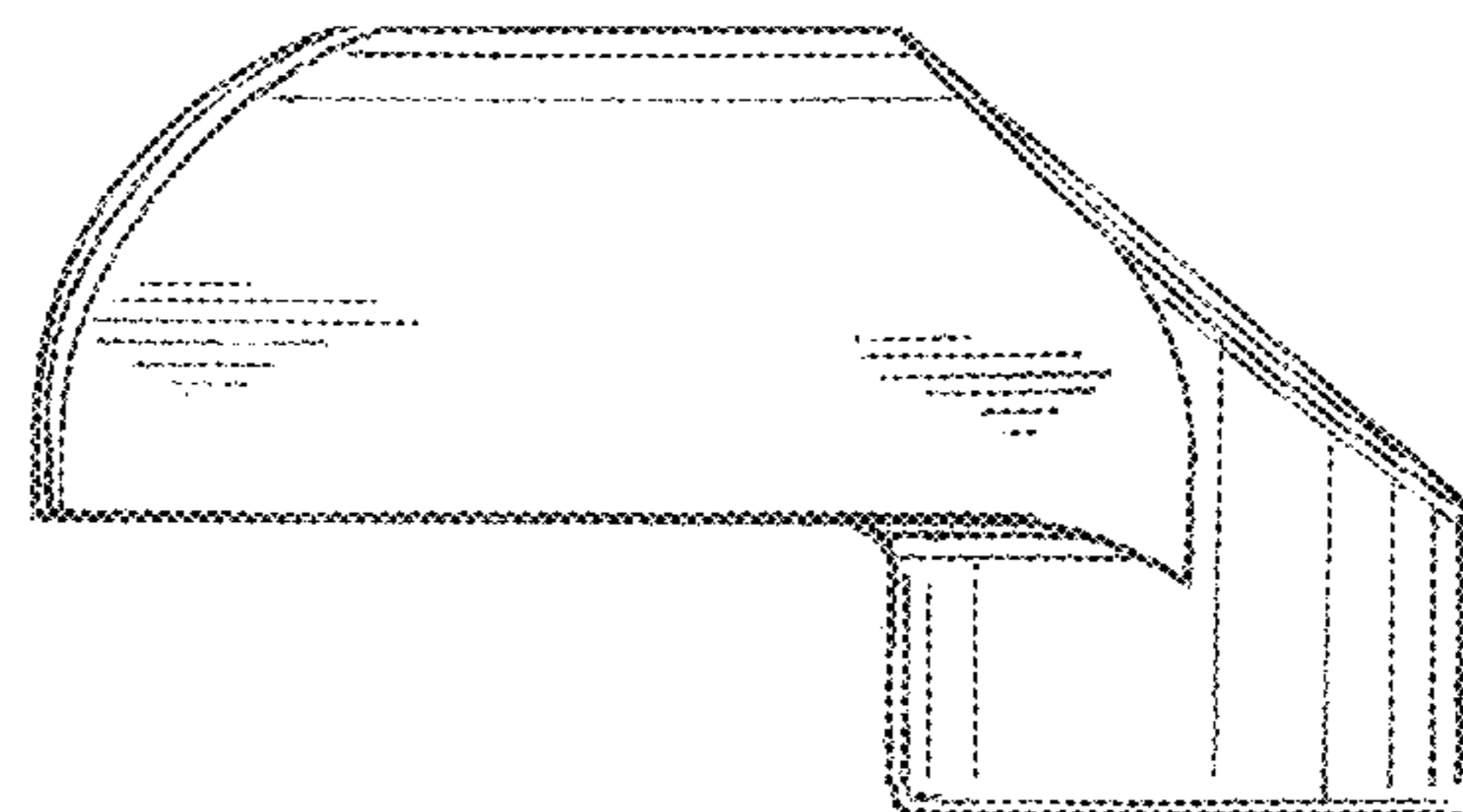


FIG. 5

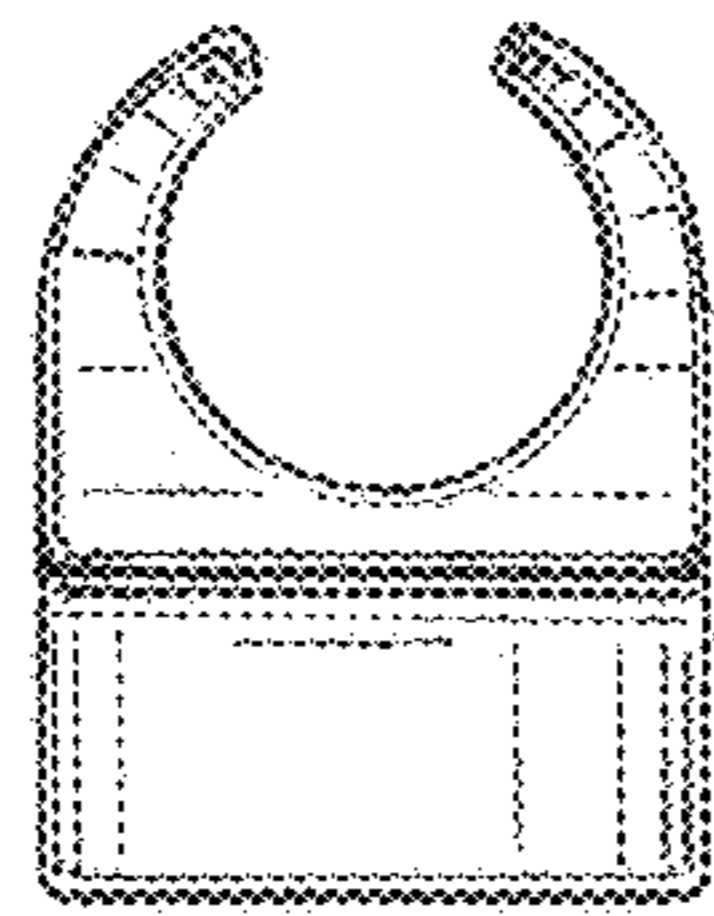


FIG. 6

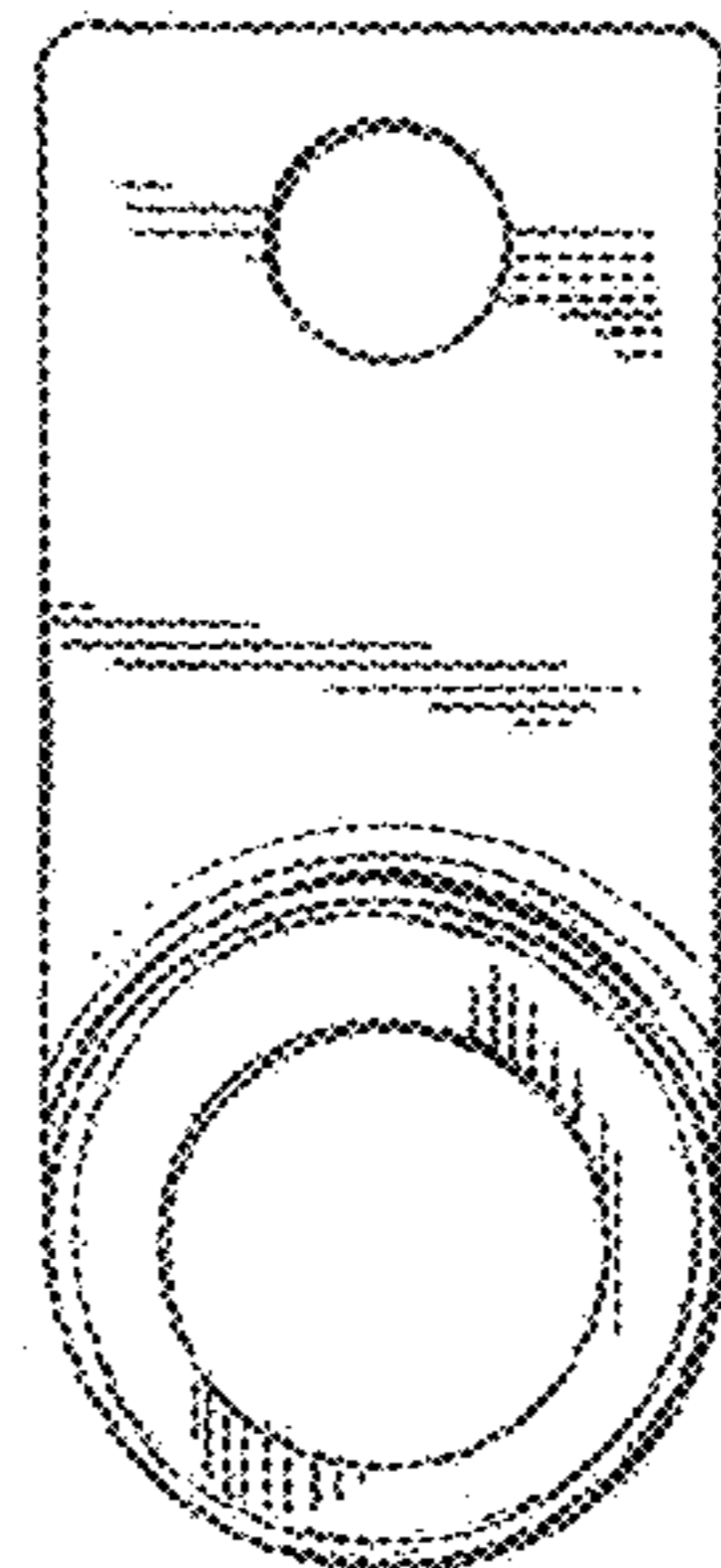
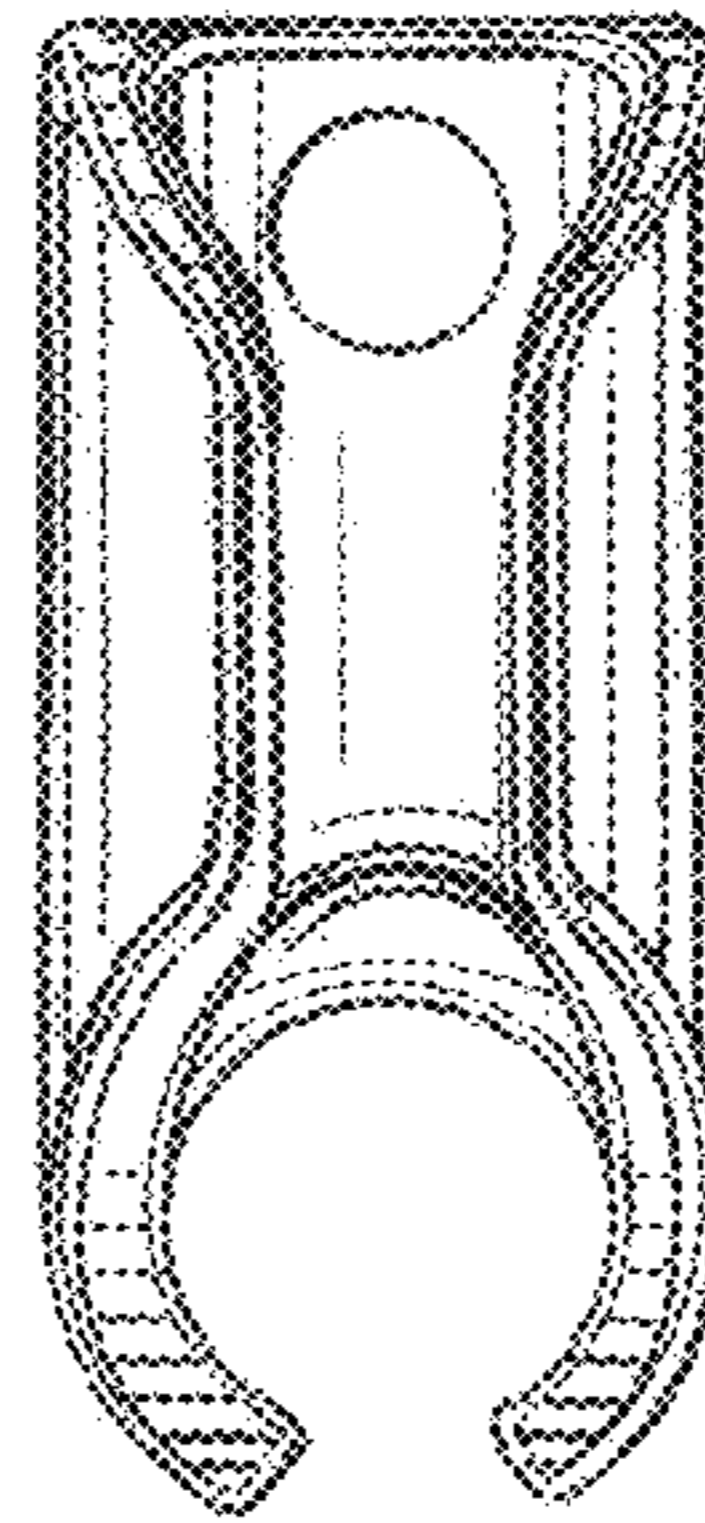


FIG. 7