



US00D793546S

(12) **United States Design Patent** (10) **Patent No.:** **US D793,546 S**  
**Ahern et al.** (45) **Date of Patent:** **\*\* Aug. 1, 2017**

(54) **INHALER**

(56) **References Cited**

(71) Applicant: **Alfred E. Tiefenbacher (GmbH & Co. KG)**, Hamburg (DE)

U.S. PATENT DOCUMENTS

(72) Inventors: **Dave Ahern**, Cambridge (GB); **Arron Danson**, Eyeworth (GB); **James Tibbatts**, Coton (GB); **Ewen Christie**, Cambridge (GB); **Tim Evans**, Cambridge (GB)

D355,029	S	*	1/1995	Kinneir	.....	D24/110
D613,397	S	*	4/2010	Nakao	.....	D24/110
D641,890	S	*	7/2011	Nardo	.....	D24/224
D710,002	S	*	7/2014	Valentine	.....	D24/110
D733,288	S	*	6/2015	Althorpe	.....	D24/110
D739,522	S	*	9/2015	Von Schuckmann	.....	D24/110
D744,087	S	*	11/2015	Bilgic	.....	D24/110
2008/0135047	A1	*	6/2008	Johnson	.....	A61M 15/0028 128/203.15
2013/0255679	A1	*	10/2013	Andrade	.....	A61M 15/0028 128/203.15
2014/0318538	A1	*	10/2014	Bilgic	.....	A61M 15/0028 128/203.15
2016/0022931	A1	*	1/2016	Althorpe	.....	A61M 15/0028 128/203.12
2017/0056608	A1	*	3/2017	McDerment	.....	A61M 15/0028

(73) Assignee: **Alfred E. Tiefenbacher (GmbH & Co. KG)**, Hamburg (DE)

(\*\*) Term: **15 Years**

(21) Appl. No.: **29/559,394**

\* cited by examiner

(22) Filed: **Mar. 28, 2016**

*Primary Examiner* — Barbara Fox

(30) **Foreign Application Priority Data**

*Assistant Examiner* — Lilyana Bekic

Sep. 28, 2015	(EM)	.....	002801761-0001
Sep. 28, 2015	(EM)	.....	002801761-0002
Sep. 28, 2015	(EM)	.....	002801761-0003
Sep. 28, 2015	(EM)	.....	002801761-0004
Sep. 28, 2015	(EM)	.....	002801761-0005
Sep. 28, 2015	(EM)	.....	002801761-0006

(74) *Attorney, Agent, or Firm* — White & Case LLP

(51) **LOC (10) Cl.** ..... **29-02**

(57) **CLAIM**

(52) **U.S. Cl.**  
USPC ..... **D24/110**

The ornamental design for an inhaler, as shown and described.

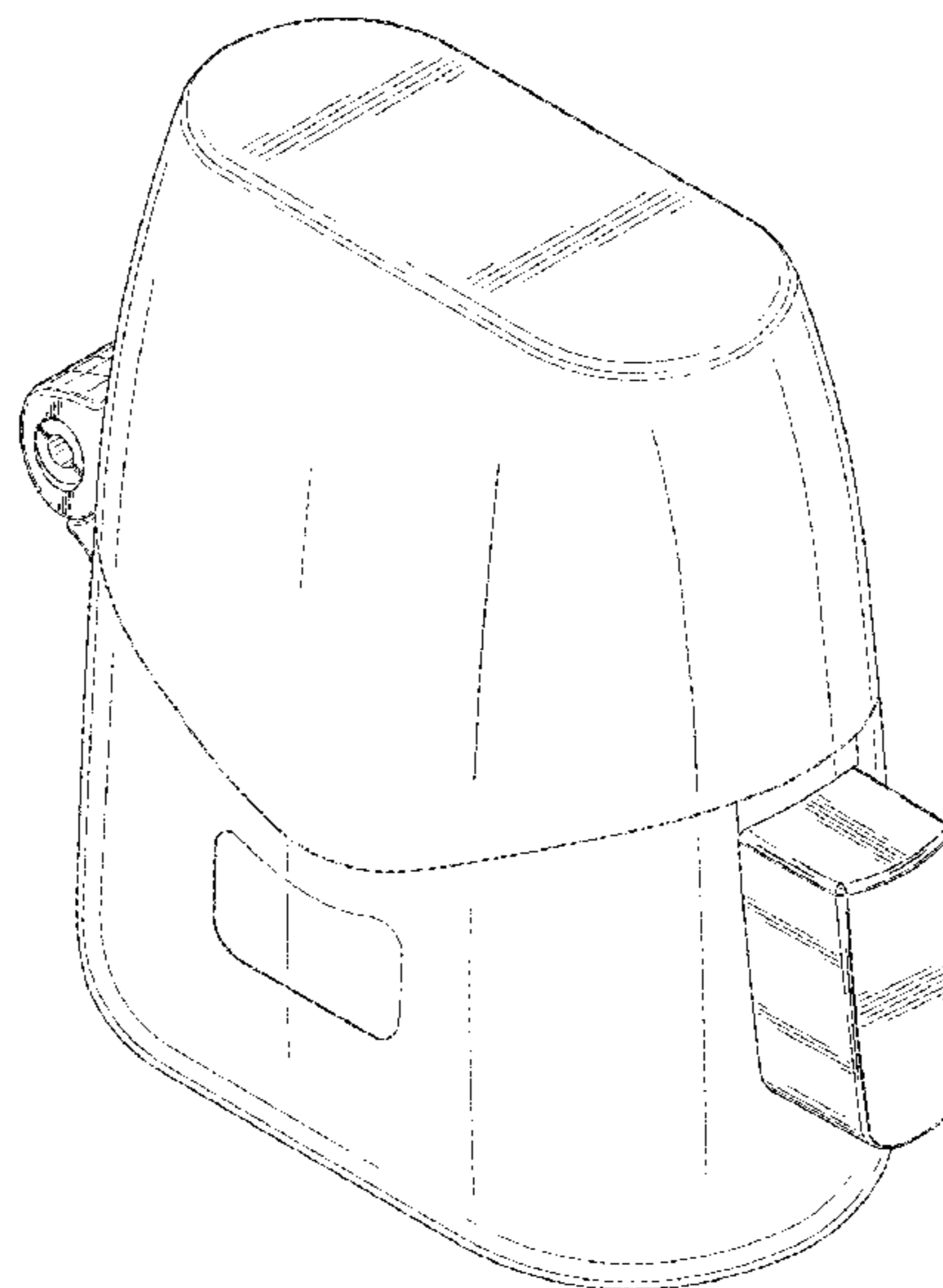
(58) **Field of Classification Search**  
USPC ..... D24/107, 108, 110, 110.5, 127, 164  
CPC ..... A61M 15/00; A61M 15/0065; A61M 15/0091; A61M 15/0001; A61M 15/0026; A61M 11/00; A61M 11/02; A61M 11/04; A61M 15/0068; A61M 15/0071

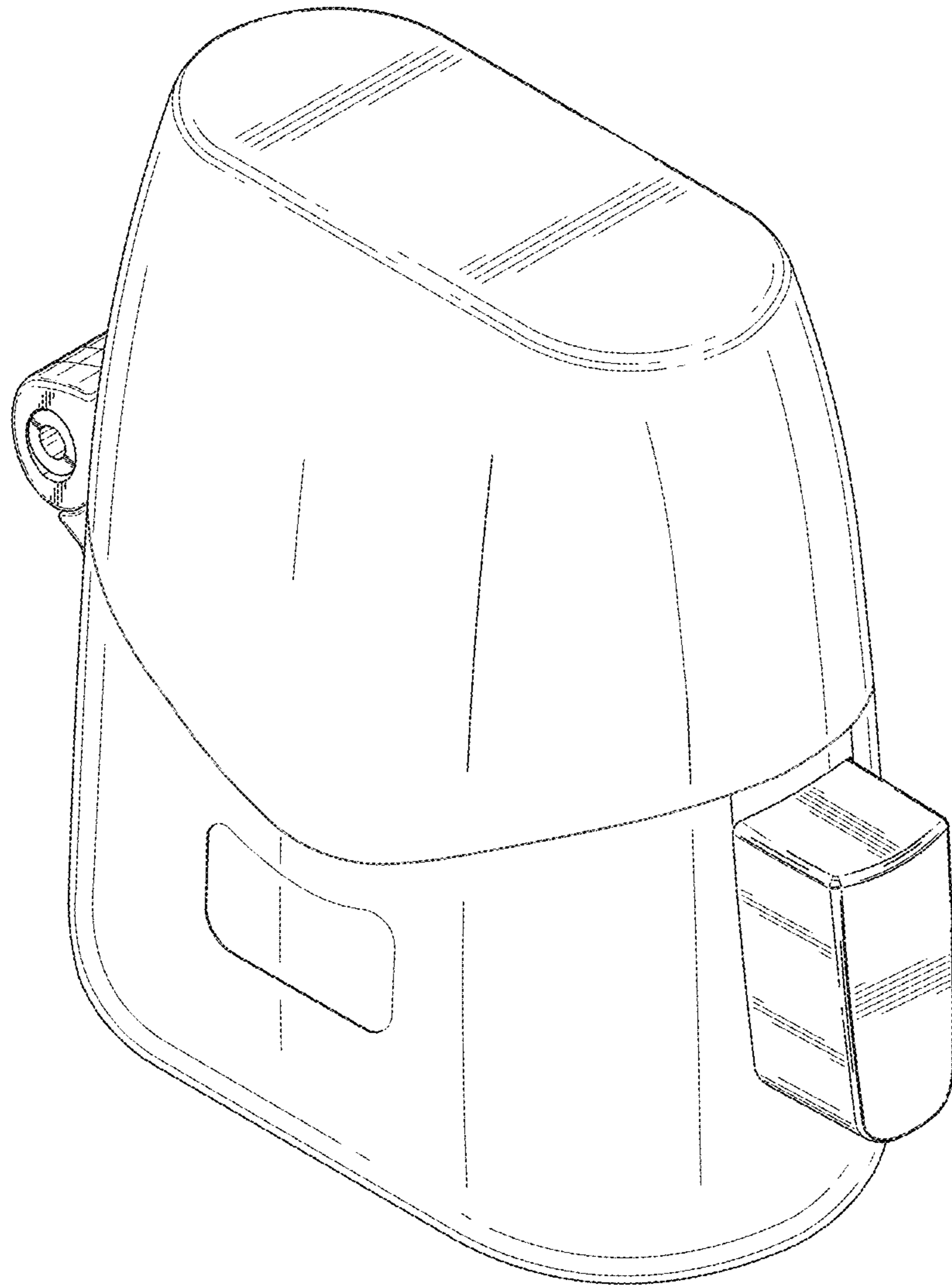
**DESCRIPTION**

FIG. 1 is a front perspective view of an inhaler showing the new design;  
FIG. 2 is a front view thereof;  
FIG. 3 is a rear view thereof;  
FIG. 4 is a top view thereof.  
FIG. 5 is a bottom view thereof;  
FIG. 6 is a right side view thereof; and,  
FIG. 7 is a left side view thereof.

See application file for complete search history.

**1 Claim, 5 Drawing Sheets**





**FIG. 1**

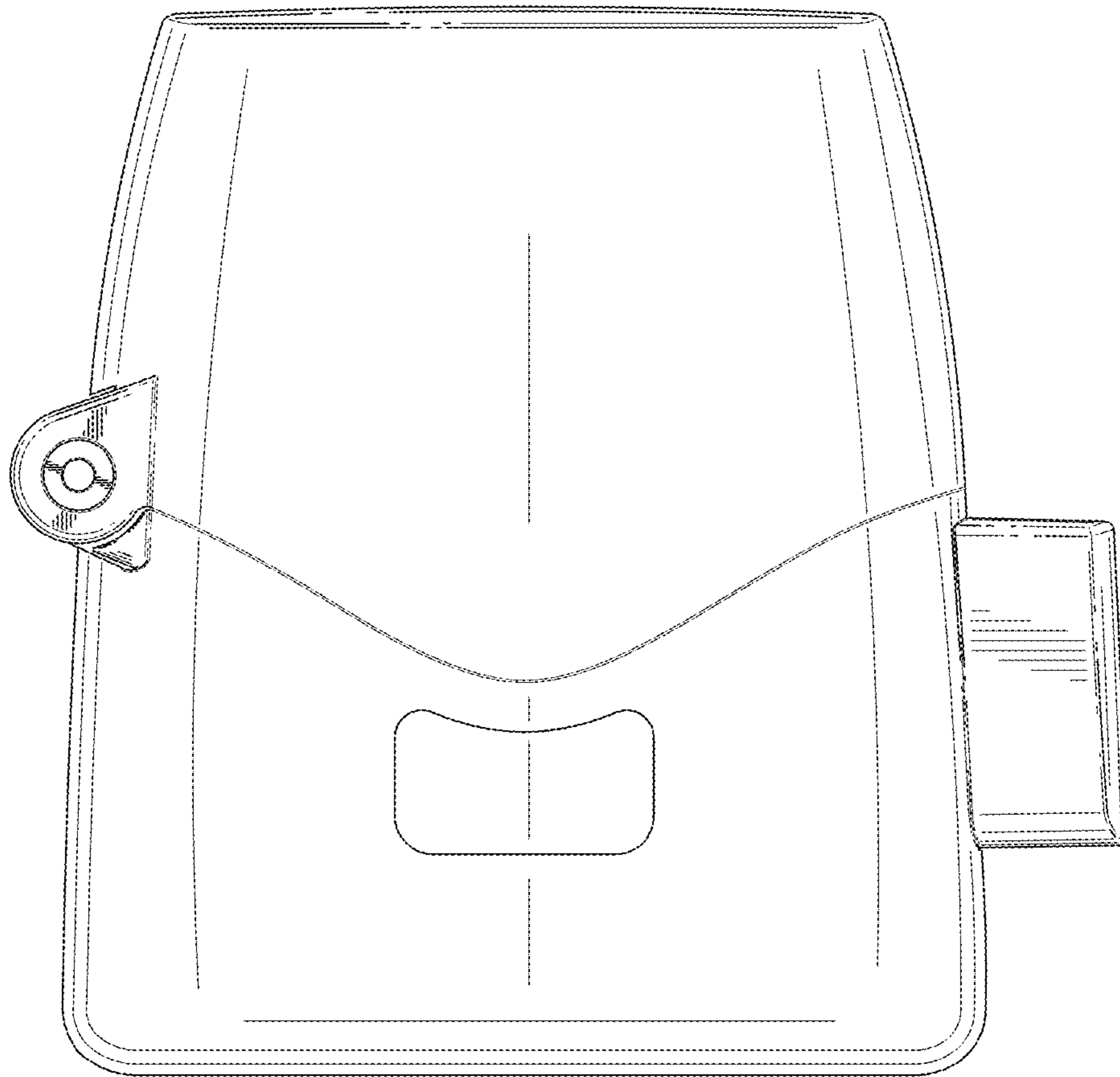
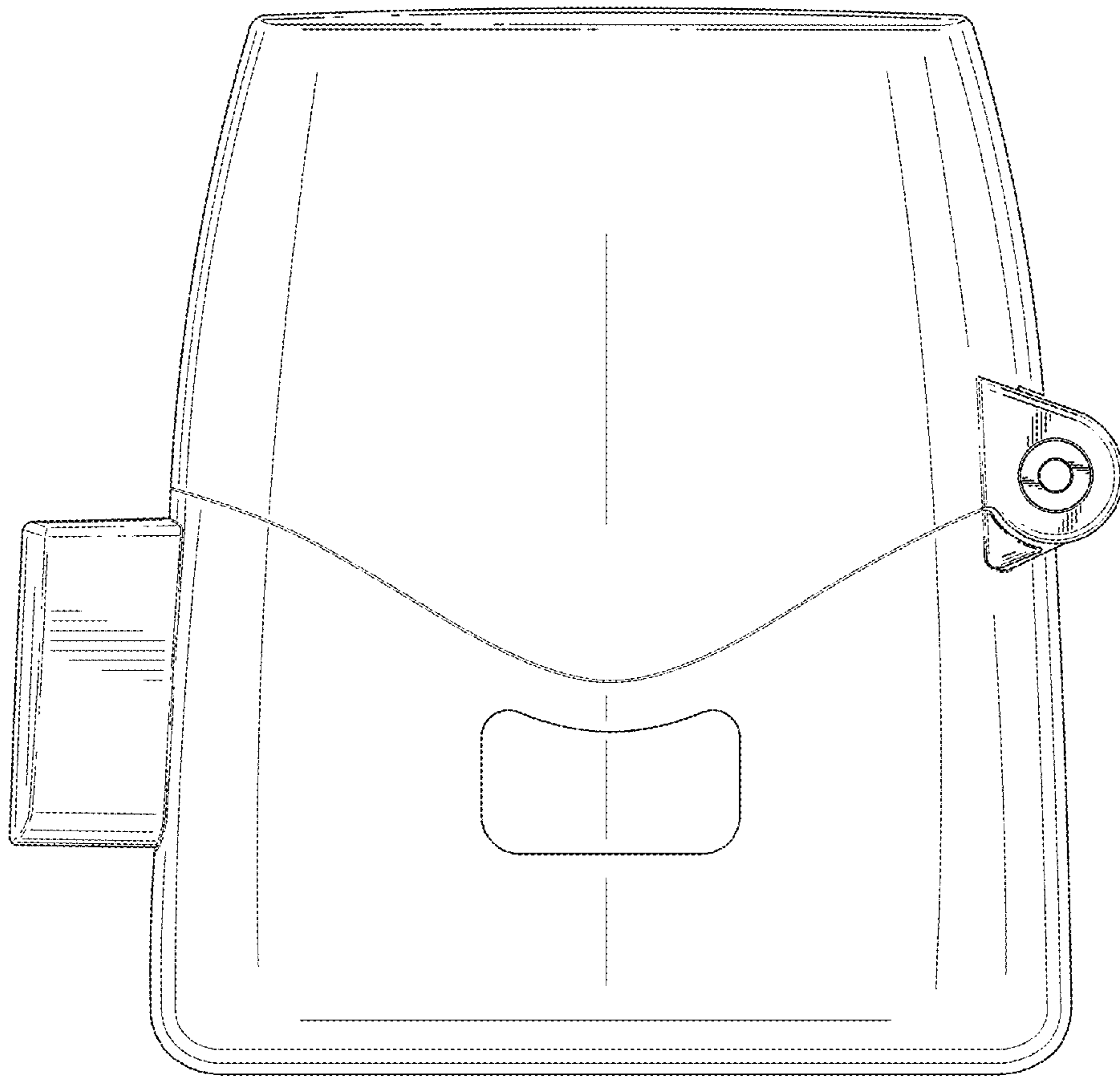
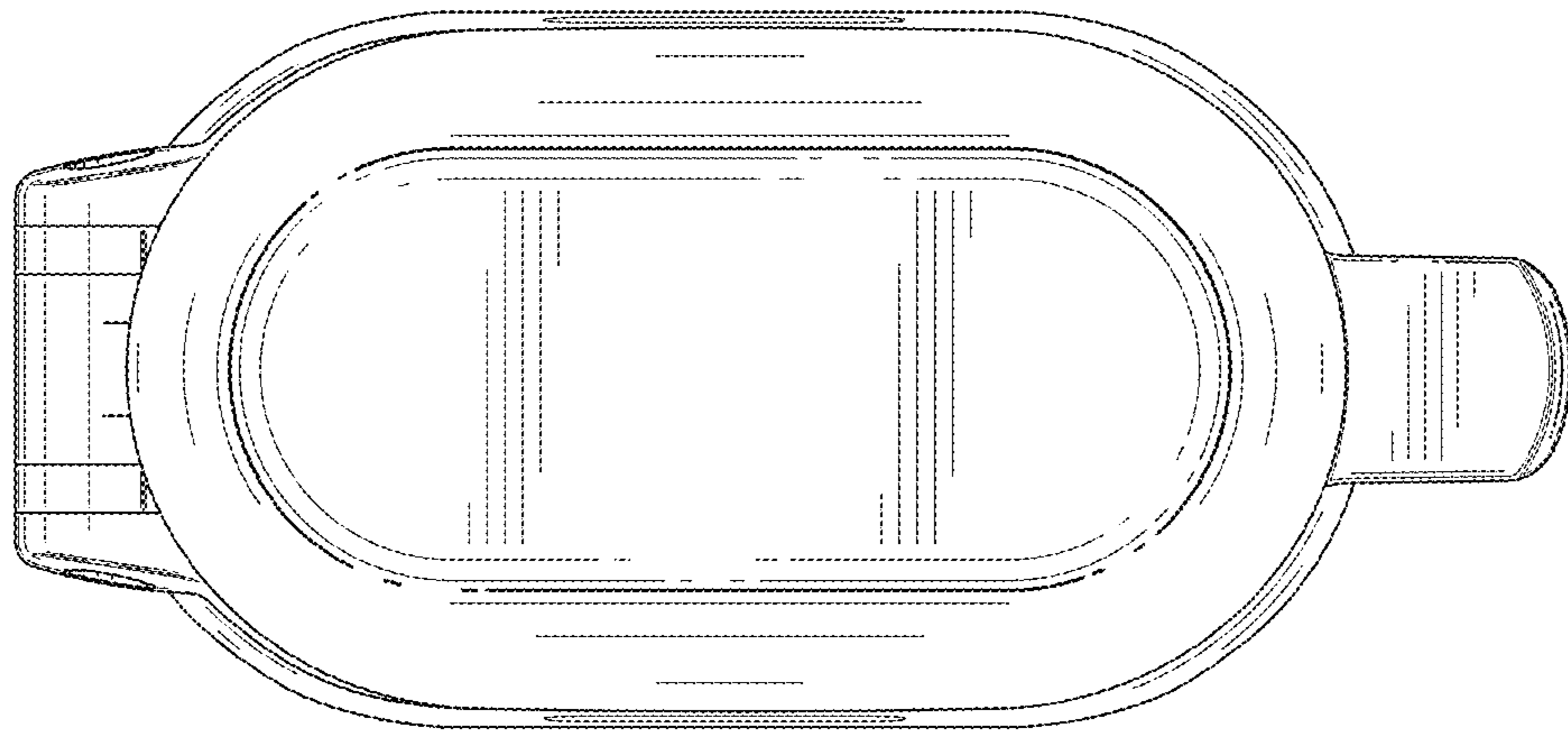


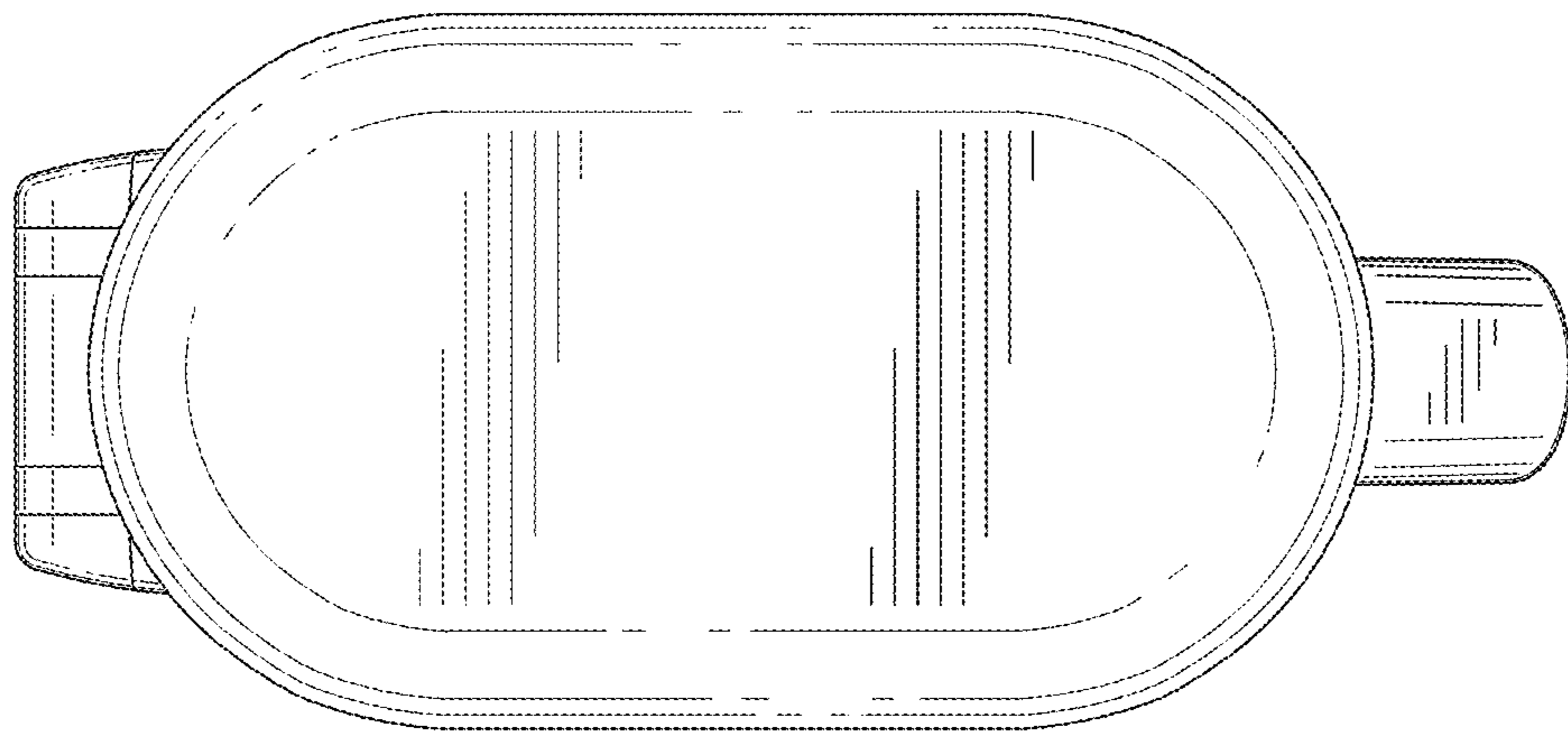
FIG. 2



**FIG. 3**

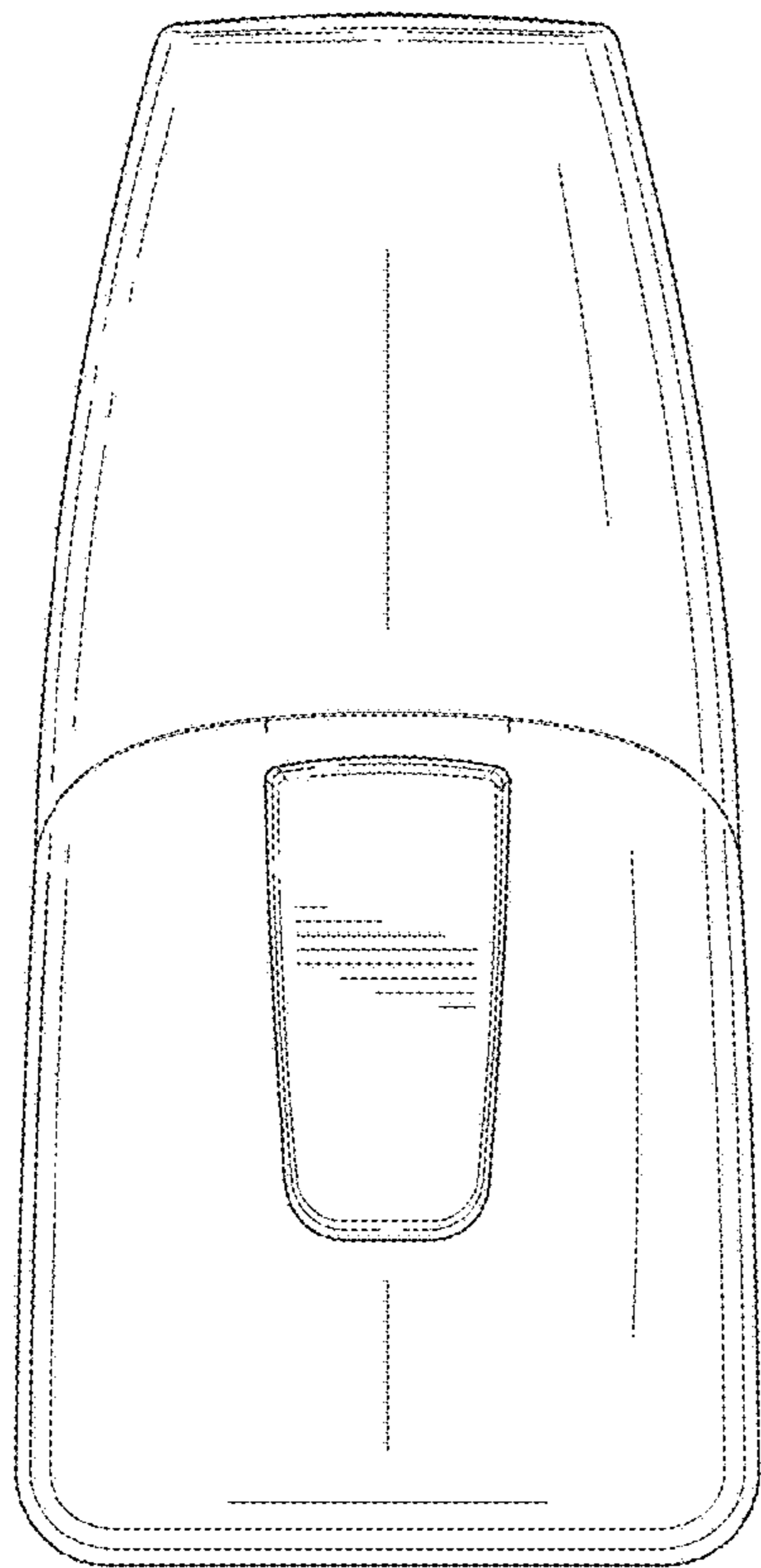


**FIG. 4**

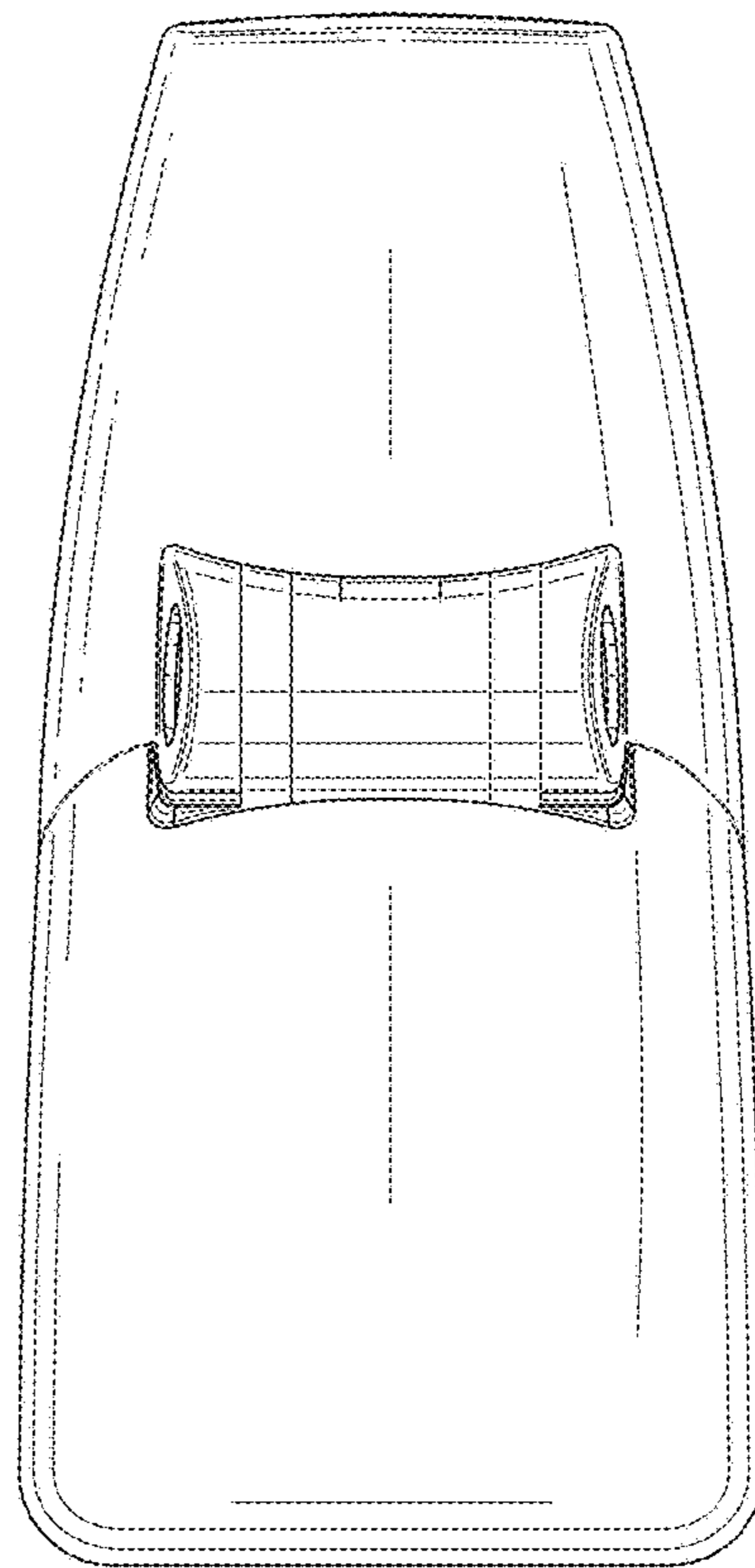


**FIG. 5**





**FIG. 6**



**FIG. 7**