



US00D793542S

(12) **United States Design Patent**  
**Zhou**

(10) **Patent No.:** **US D793,542 S**

(45) **Date of Patent:** **\*\* Aug. 1, 2017**

(54) **PANEL OF AIR CONDITIONER**

(71) Applicant: **Bin Zhou**, Shanghai (CN)

(72) Inventor: **Bin Zhou**, Shanghai (CN)

(73) Assignee: **DAIKIN INDUSTRIES LTD.**,  
Osaka-shi, Osaka-fu (JP)

(\*\*) Term: **15 Years**

(21) Appl. No.: **29/541,821**

(22) Filed: **Oct. 8, 2015**

(30) **Foreign Application Priority Data**

Apr. 29, 2015 (CN) ..... 2015 3 0120817

(51) **LOC (10) Cl.** ..... **23-04**

(52) **U.S. Cl.**  
USPC ..... **D23/354**

(58) **Field of Classification Search**  
USPC ..... D23/333, 335, 341, 342, 351, 353, 354,  
D23/355, 356, 359, 364, 365, 370, 385,  
D23/386, 388, 393

CPC .... F24F 1/00; F24F 1/0007; F24F 1/02; F24F  
1/08; F24F 1/42; F24F 1/56; F24F 1/60;  
F24F 3/044; F24F 3/048; F24F 3/16;  
F24F 7/00; F24F 7/04; F24F 12/001;  
F24F 12/006

See application file for complete search history.

(56) **References Cited**

U.S. PATENT DOCUMENTS

D218,745 S \* 9/1970 Appel et al. .... D23/354  
4,210,071 A \* 7/1980 Loos ..... F24F 13/00  
D23/354

D307,466 S \* 4/1990 Takasuna ..... D23/351  
D318,911 S \* 8/1991 Tobin, Sr. .... D23/354  
D339,755 S \* 9/1993 Bonnell ..... D10/102  
D425,974 S \* 5/2000 Esty ..... D23/354  
D495,408 S \* 8/2004 Song ..... D23/353  
D565,712 S \* 4/2008 Nagahori ..... D23/351  
D616,084 S \* 5/2010 Lingrey ..... D23/353  
D746,424 S \* 12/2015 Takahashi ..... D23/354  
D766,413 S \* 9/2016 Zhou ..... D23/354  
D770,787 S \* 11/2016 Kim ..... D6/351  
D772,387 S \* 11/2016 Choi ..... D23/354

\* cited by examiner

*Primary Examiner* — George D. Kirschbaum

*Assistant Examiner* — Natasha Vujcic

(74) *Attorney, Agent, or Firm* — Manabu Kanesaka

(57) **CLAIM**

The ornamental design for a panel of air conditioner, as shown and described.

**DESCRIPTION**

FIG. 1 is a perspective view of a panel of air conditioner showing my new design;

FIG. 2 is a front view thereof;

FIG. 3 is a rear view thereof;

FIG. 4 is a plan view thereof;

FIG. 5 is a bottom view thereof;

FIG. 6 is a left side view thereof; and,

FIG. 7 is a right side view thereof.

**1 Claim, 3 Drawing Sheets**

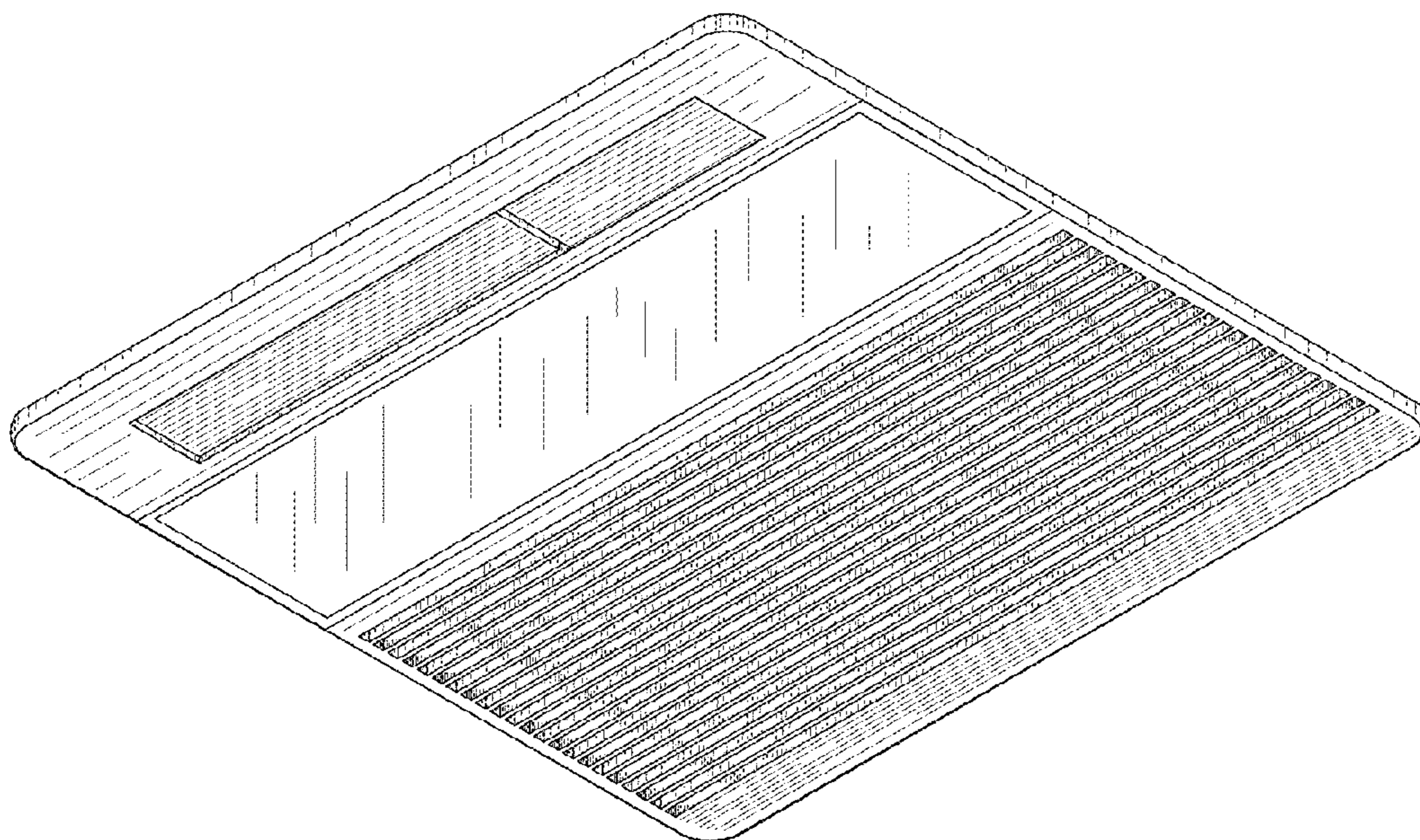


Fig. 1

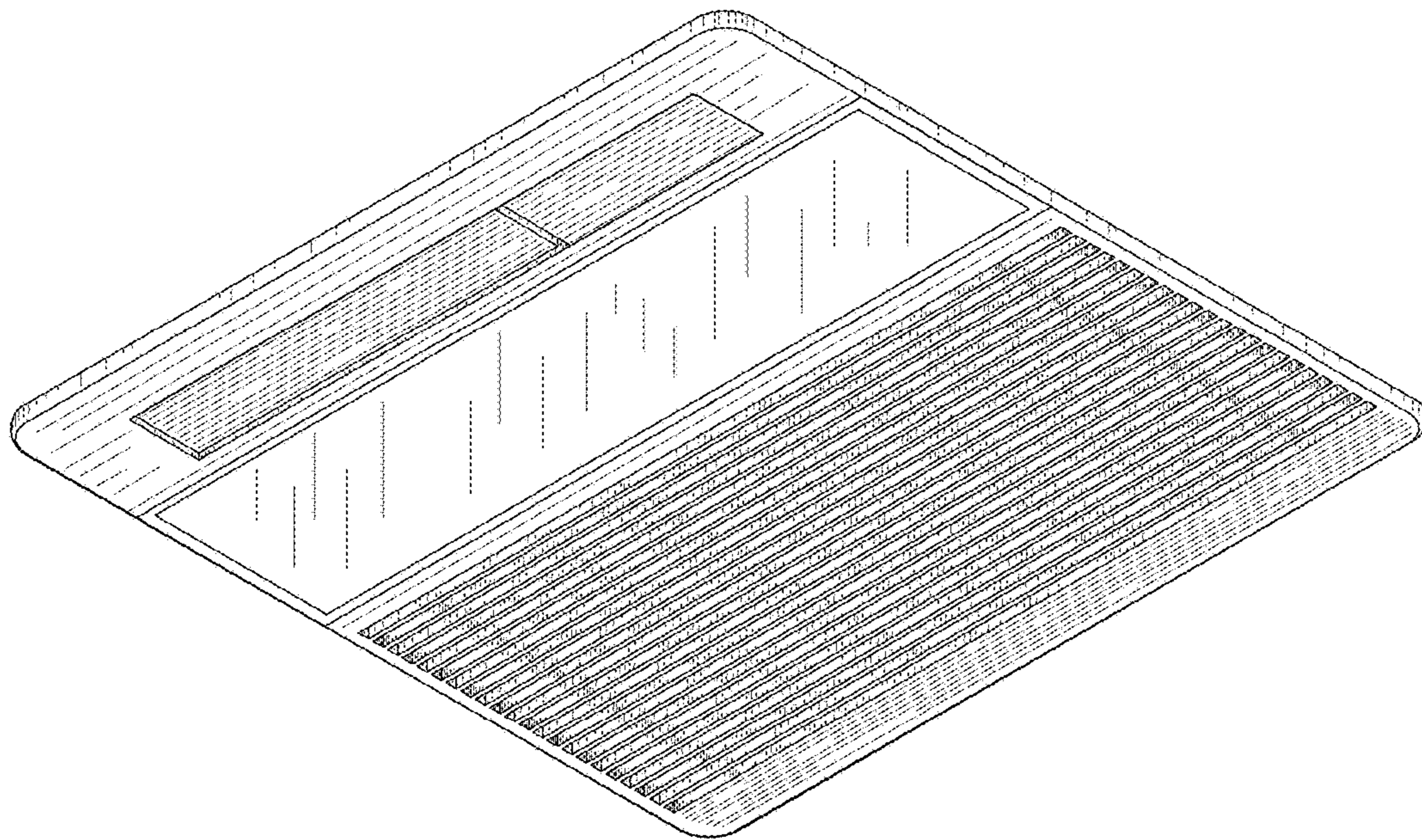




Fig.2

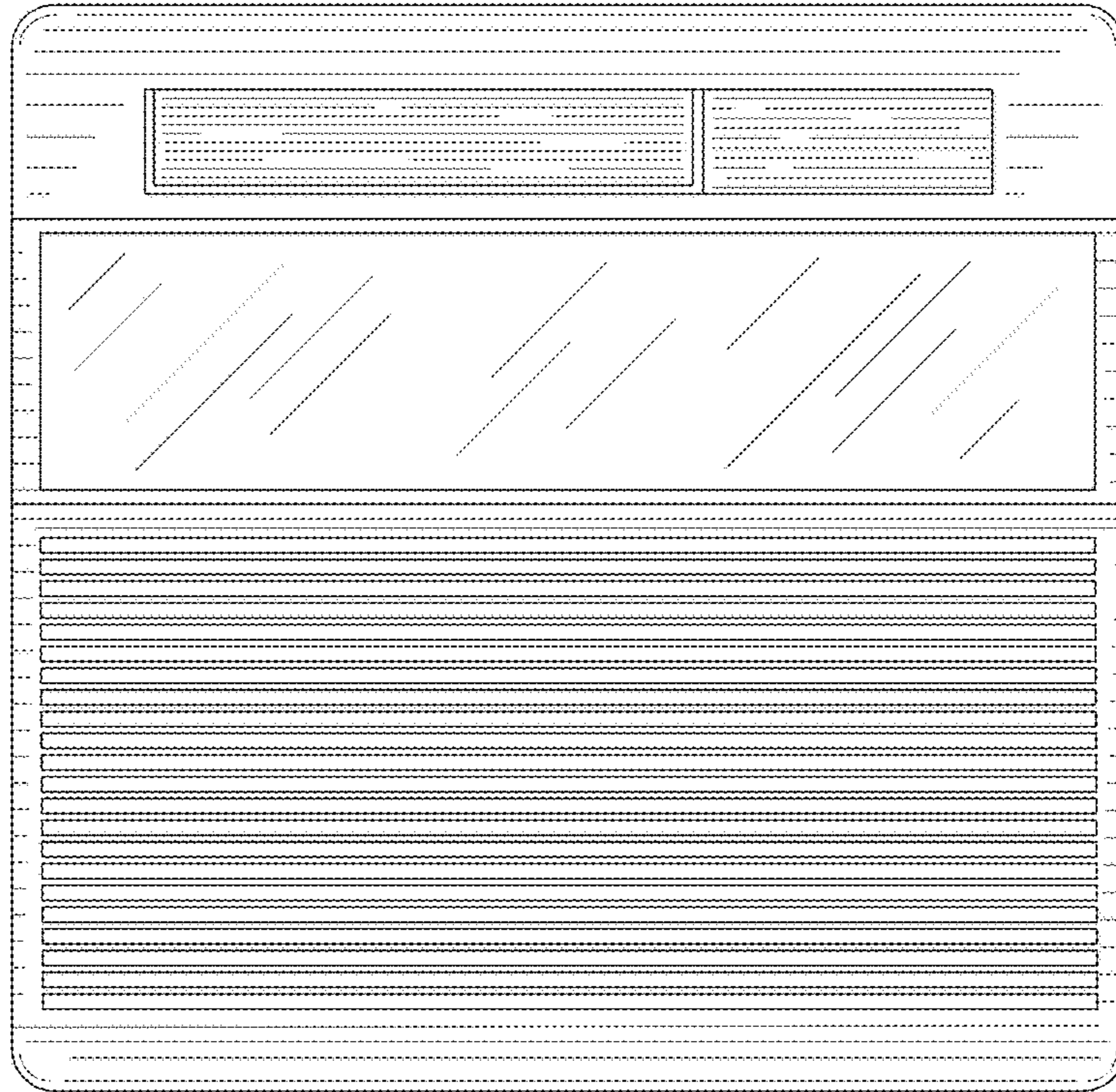


Fig.3

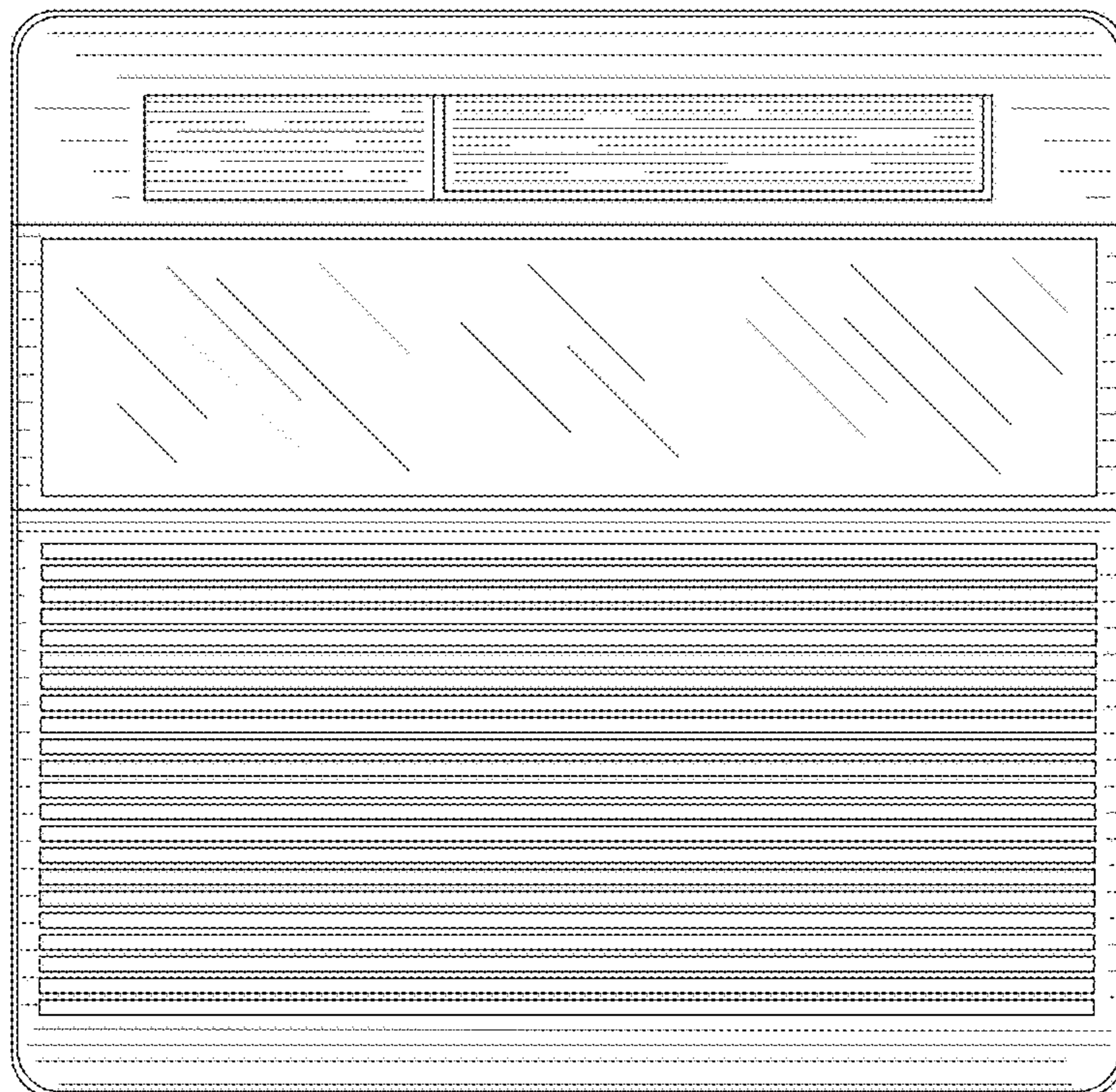


Fig.4

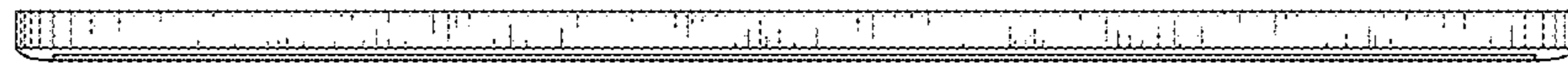


Fig.5

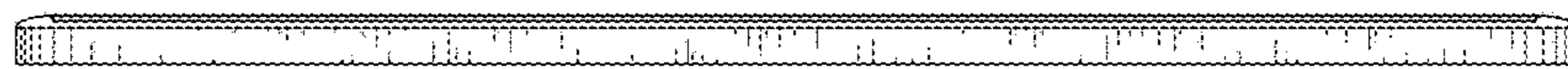


Fig.6



Fig.7

