



US00D793541S

(12) **United States Design Patent**  
**Chen**

(10) **Patent No.:** **US D793,541 S**

(45) **Date of Patent:** **\*\* Aug. 1, 2017**

(54) **SINK**

(71) Applicant: **Guangdong YINGAO Kitchenware Ltd., Foshan (CN)**

(72) Inventor: **Jiazhi Chen, Foshan (CN)**

(73) Assignee: **Guangdong YONGAO Kitchenware Limited Company, Foshan (CN)**

(\*\*) Term: **15 Years**

(21) Appl. No.: **29/555,977**

(22) Filed: **Feb. 26, 2016**

(51) **LOC (10) Cl.** ..... **23-02**

(52) **U.S. Cl.**  
USPC ..... **D23/290**

(58) **Field of Classification Search**  
USPC ..... D23/284, 293.1, 287-292, 303, 308  
CPC ..... A47K 1/04; A47B 77/06; A47J 47/20  
See application file for complete search history.

(56) **References Cited**

**U.S. PATENT DOCUMENTS**

D526,392 S	*	8/2006	Soulier	.....	D23/290
D546,929 S	*	7/2007	Schneider	.....	D23/290
D547,835 S	*	7/2007	Ziemann	.....	D23/290
D587,352 S	*	2/2009	Ziemann	.....	D23/290
D603,484 S		11/2009	Eilmus		
D610,659 S		2/2010	Booth		

D627,448 S	*	11/2010	Kehrer	.....	D23/290
D648,838 S		11/2011	Booth		
D659,810 S	*	5/2012	Eilmus	.....	D23/290
D680,632 S	*	4/2013	Eilmus	.....	D23/290
D769,424 S	*	10/2016	Eilmus	.....	D23/290

**OTHER PUBLICATIONS**

Oliveri 2010 Catalog featuring the 1063U Sink (p. 22) found online [Feb. 22, 2017] [http://www.tlgcms.co.nz/uploads/product/hs\\_Oliveri%20Catalogue-March2010.pdf](http://www.tlgcms.co.nz/uploads/product/hs_Oliveri%20Catalogue-March2010.pdf).\*

\* cited by examiner

*Primary Examiner* — Robert M Spear

*Assistant Examiner* — John Voytek

(74) *Attorney, Agent, or Firm* — Viering, Jenschura & Partner mbB

(57) **CLAIM**

The ornamental design for sink, as shown and described.

**DESCRIPTION**

FIG. 1 is a front perspective view of sink showing my new design;

FIG. 2 is a front view thereof;

FIG. 3 is a back view thereof;

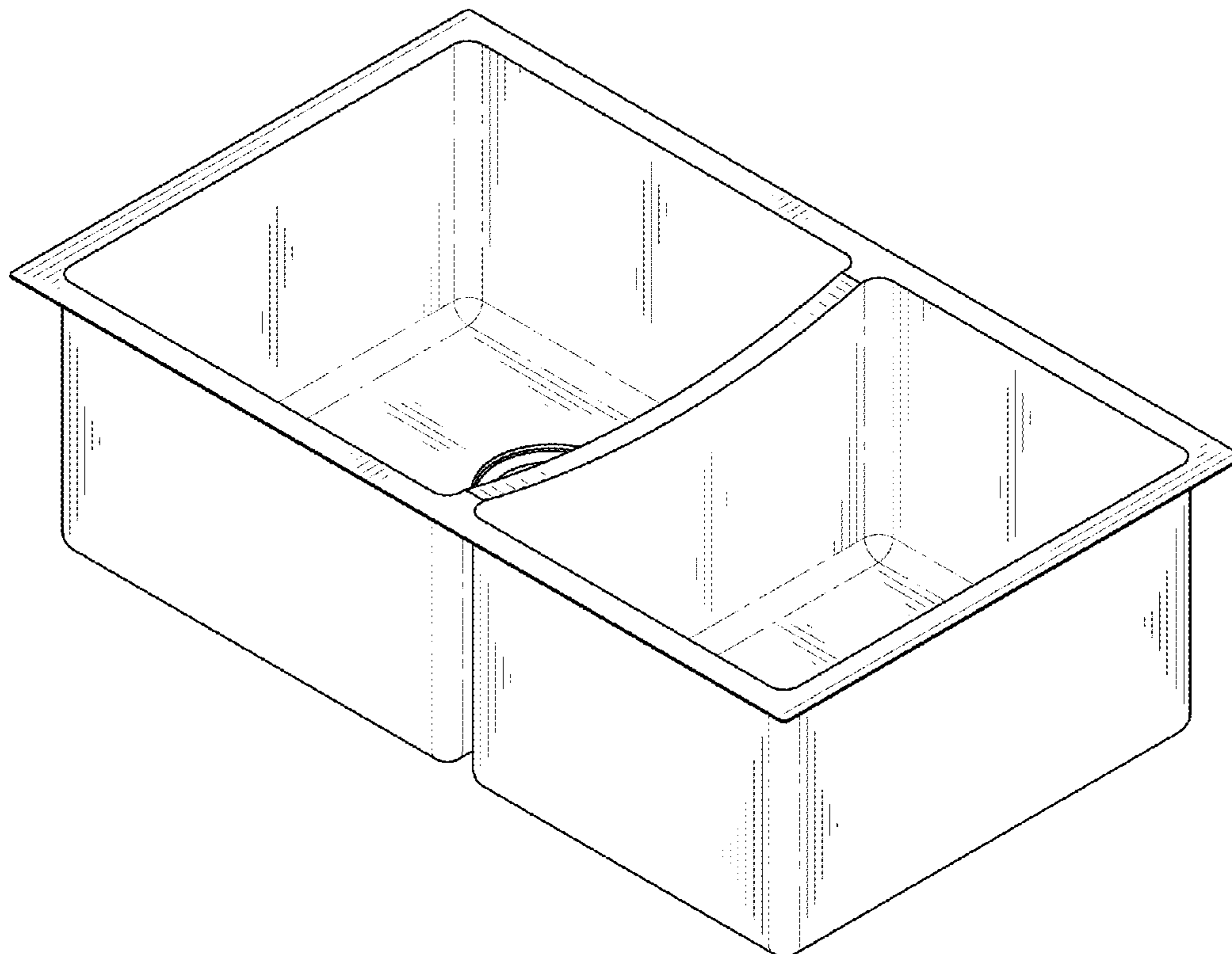
FIG. 4 is a left side view thereof;

FIG. 5 is a right side view thereof;

FIG. 6 is a top view thereof; and,

FIG. 7 is a bottom view thereof.

**1 Claim, 7 Drawing Sheets**



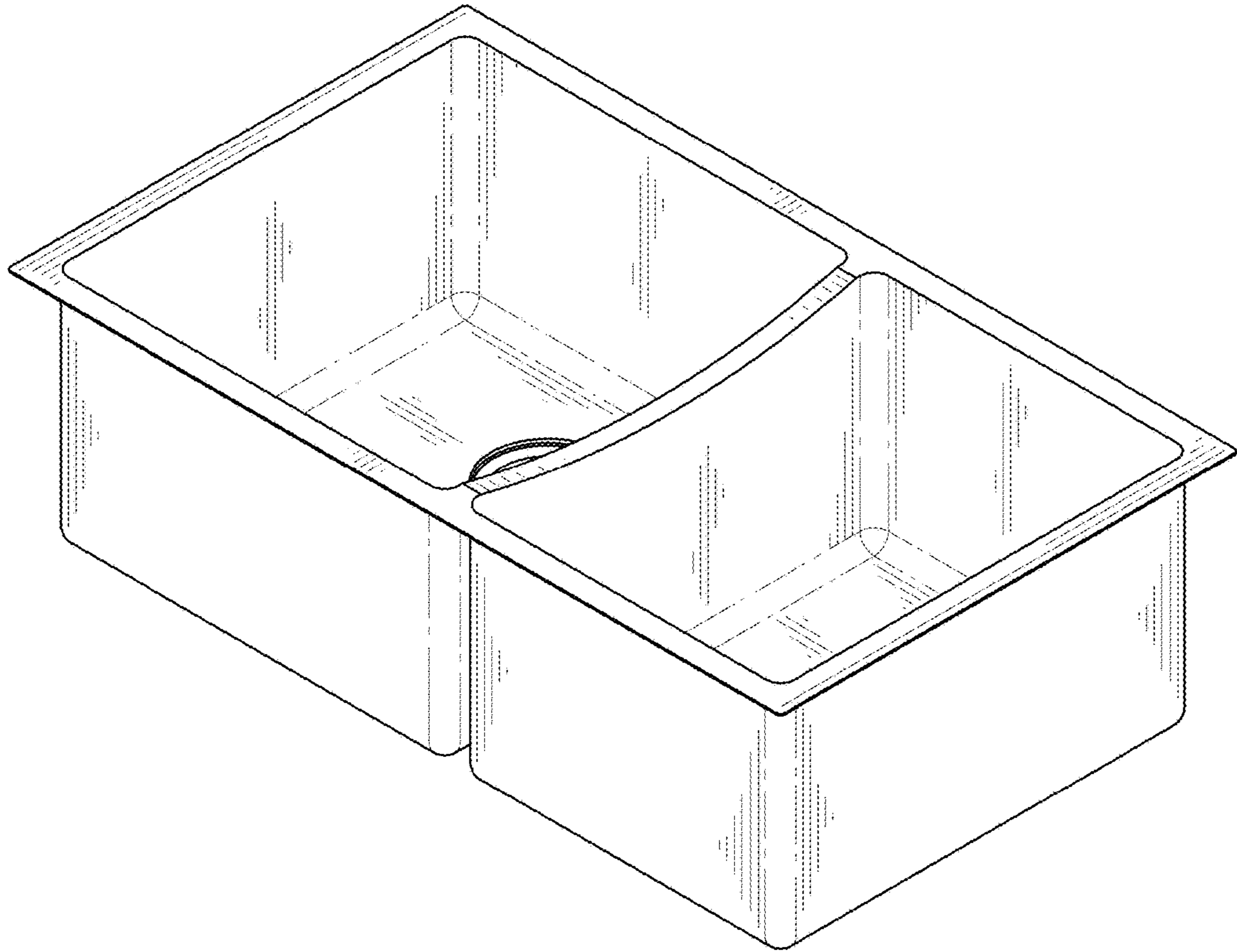


FIG. 1

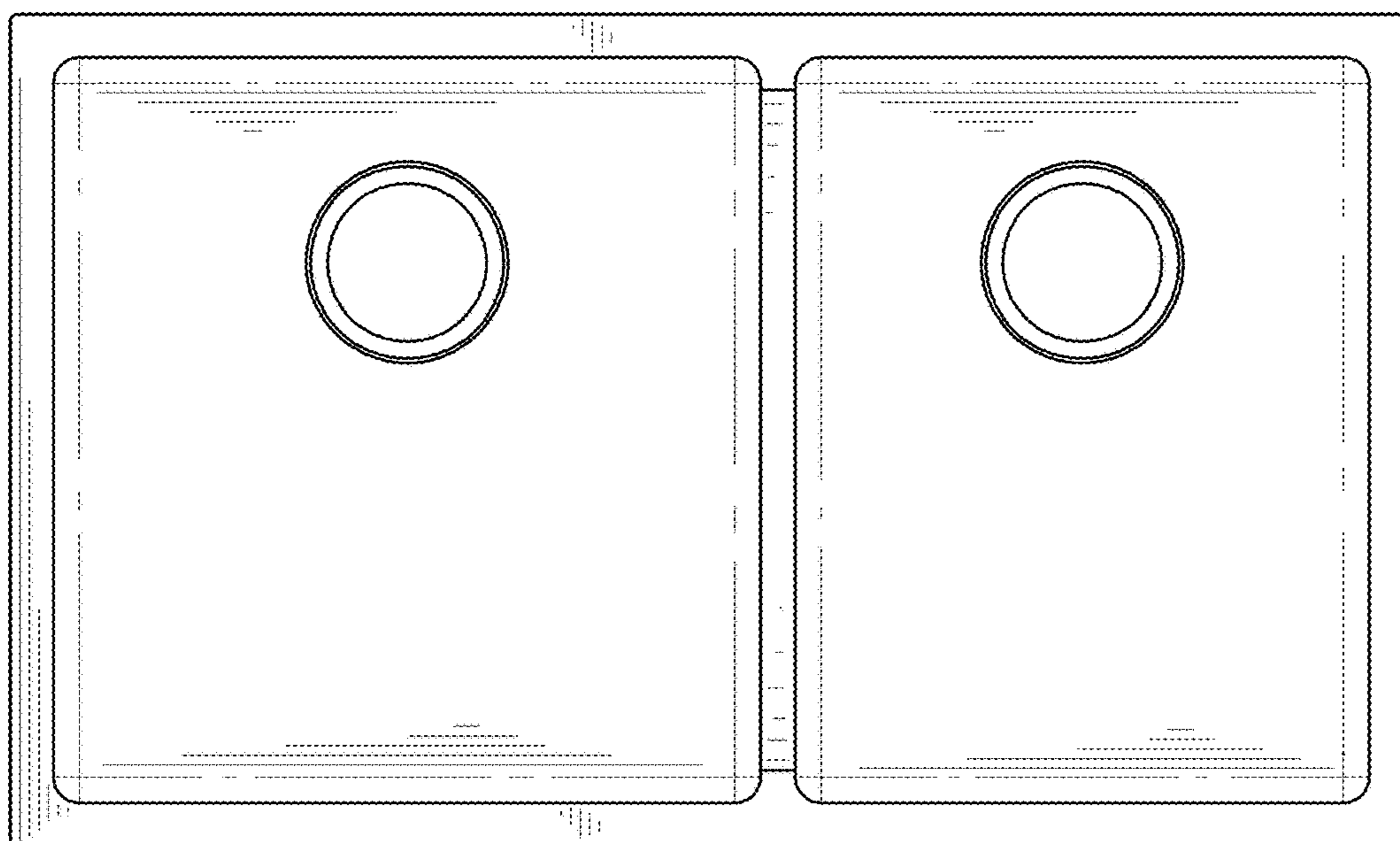


FIG. 2

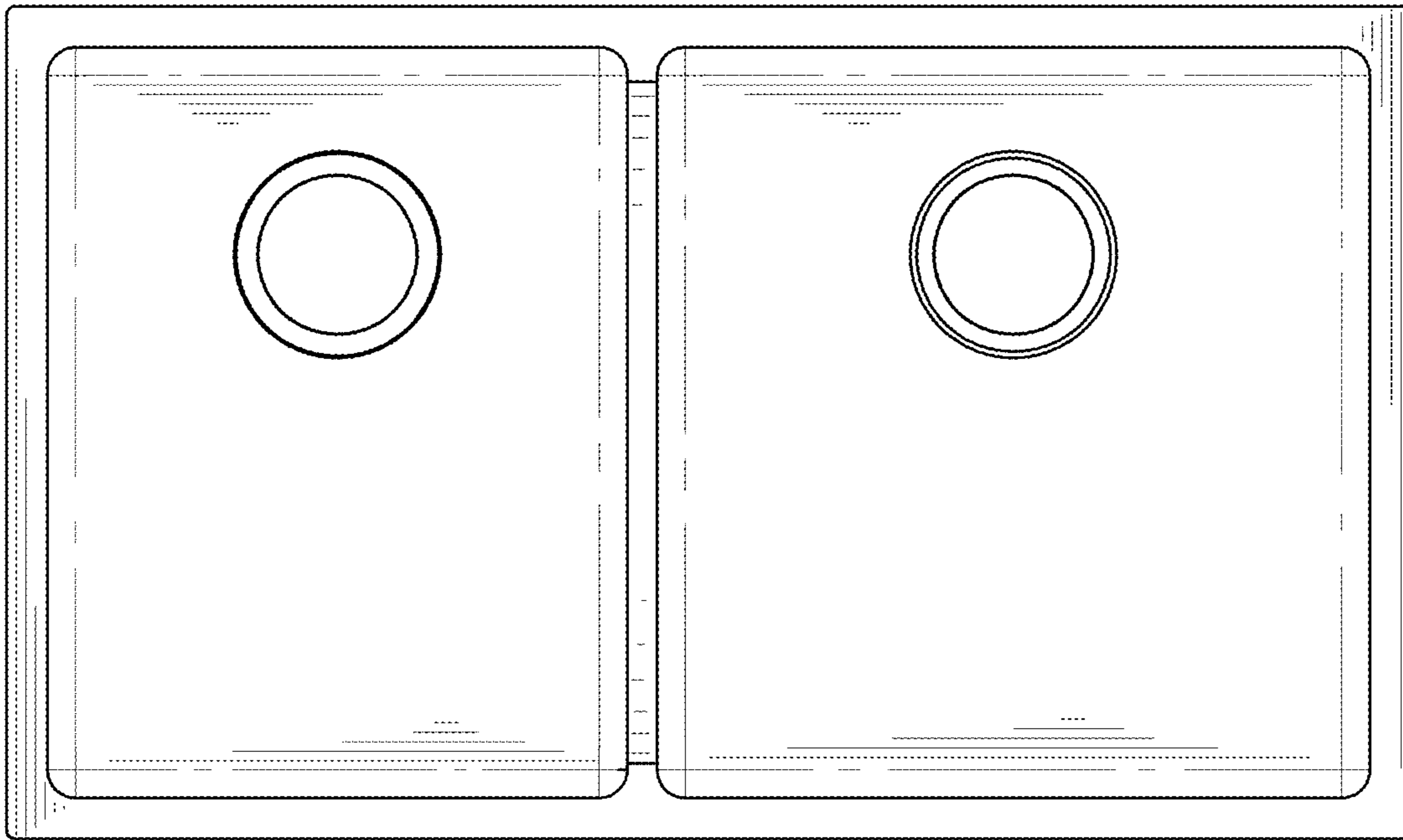


FIG. 3

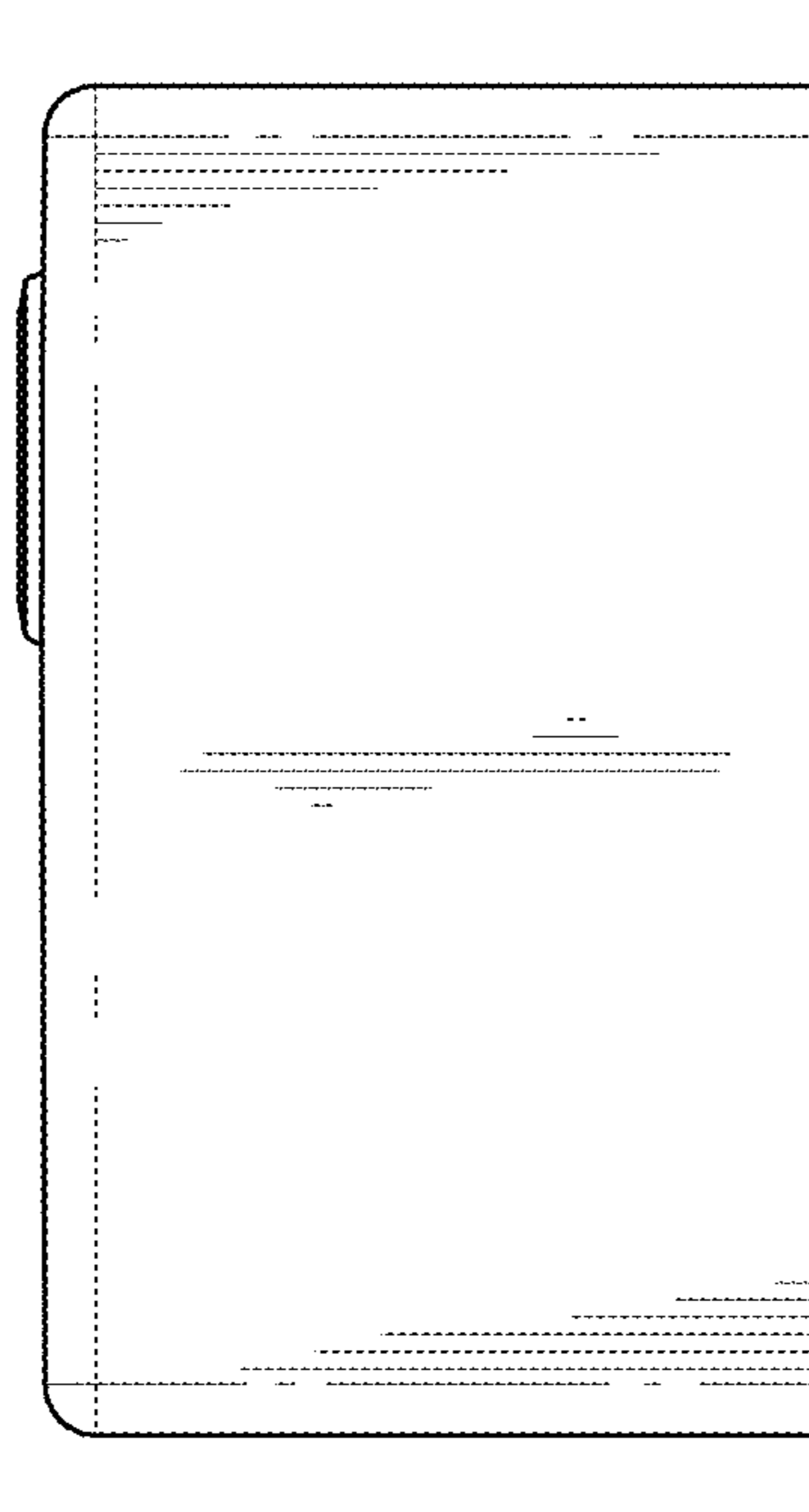


FIG. 4

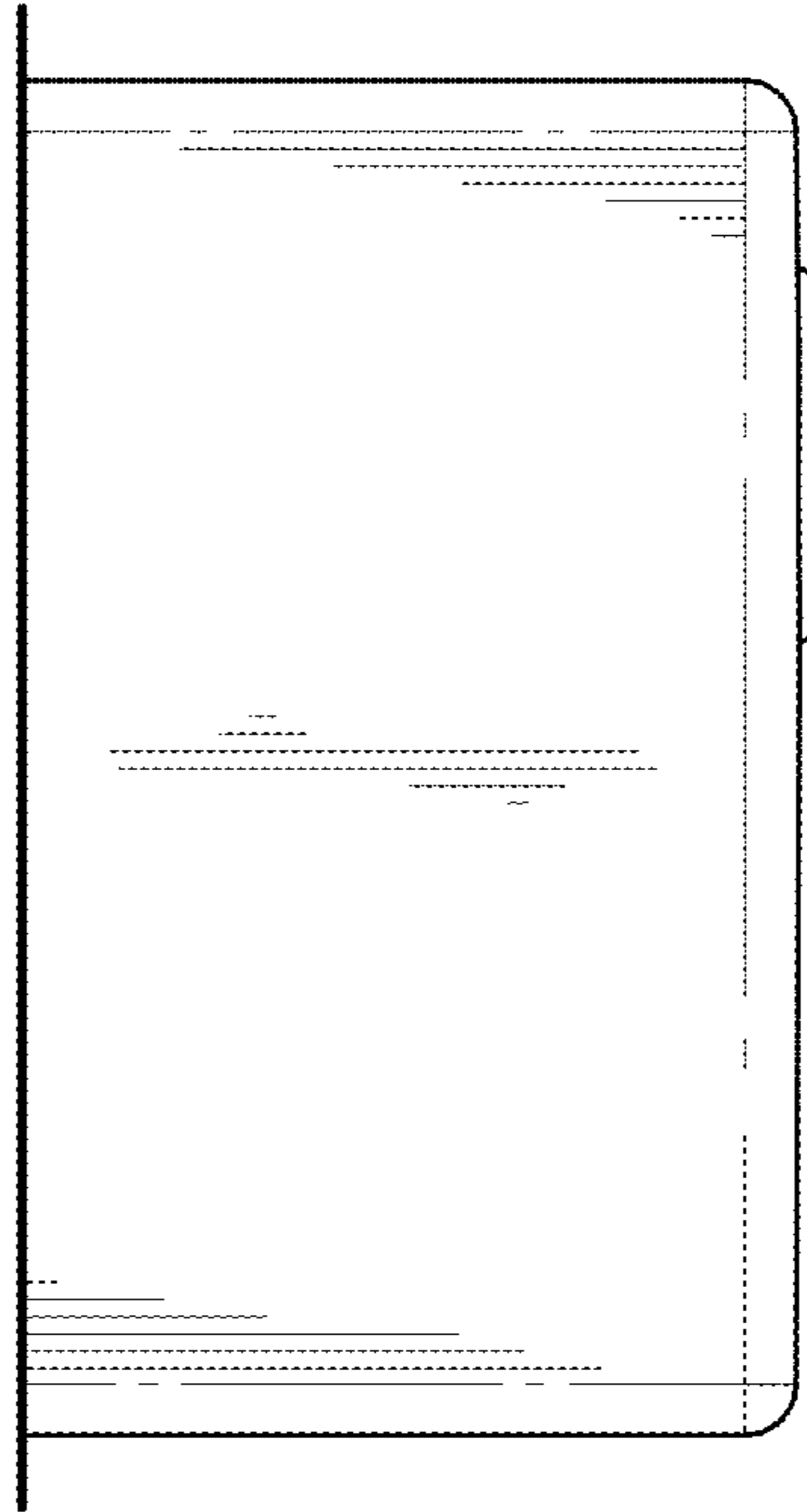


FIG. 5

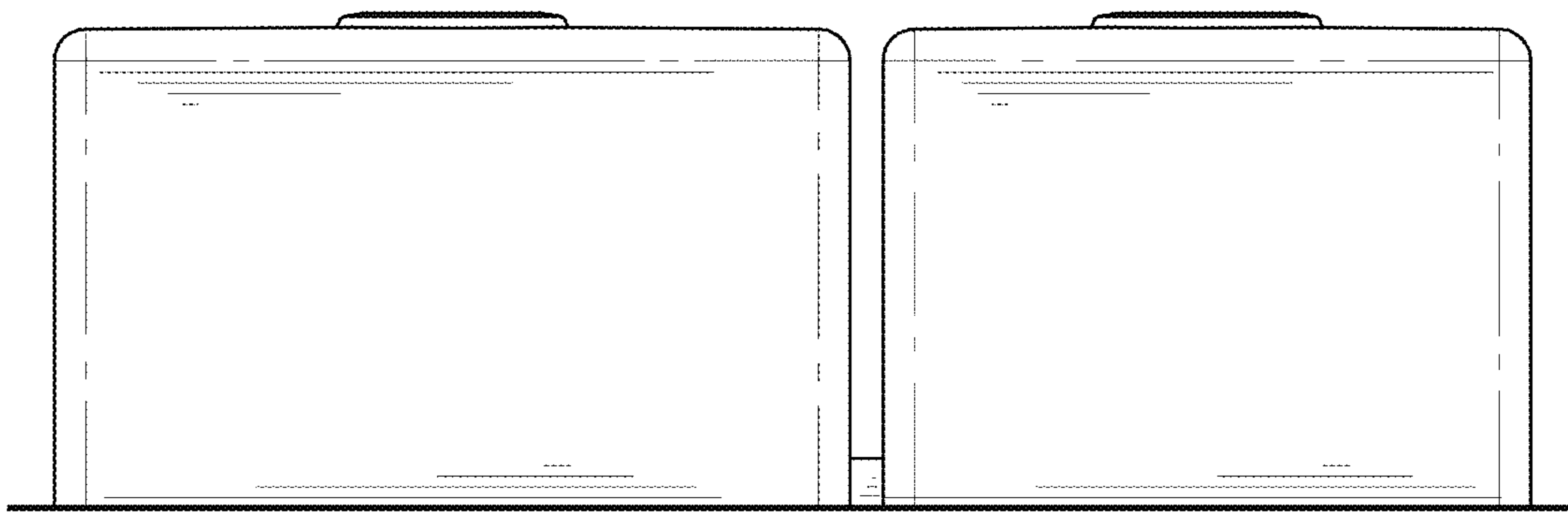


FIG. 6

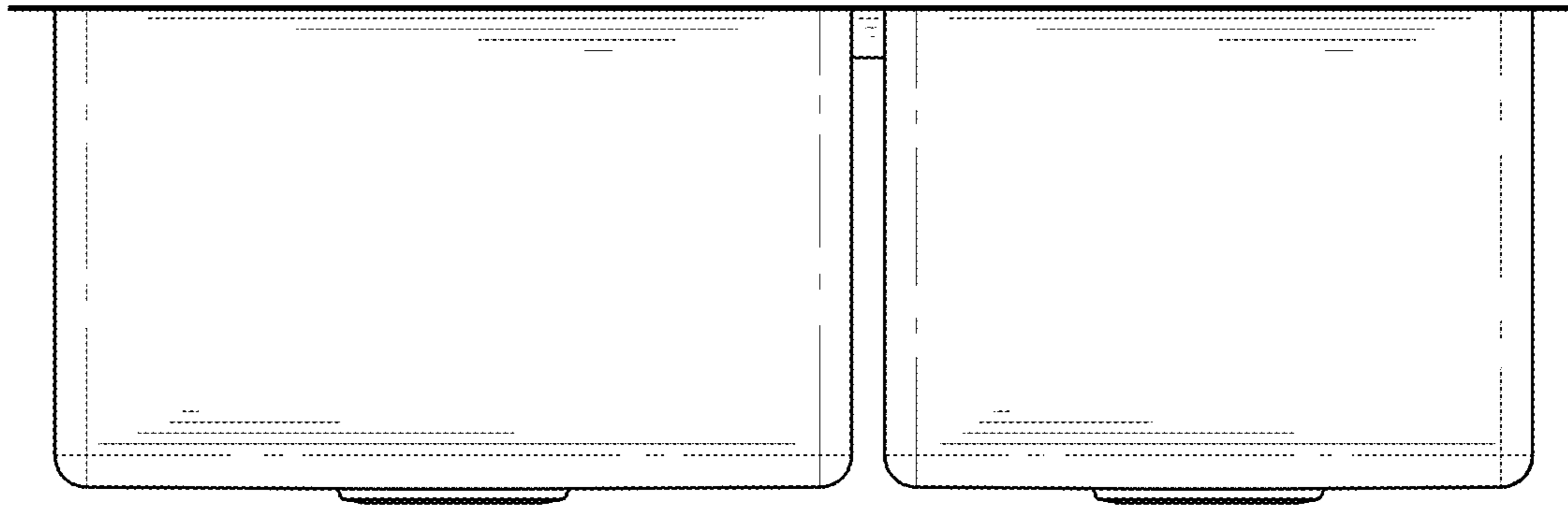


FIG. 7