



US00D793540S

(12) **United States Design Patent**
Adams

(10) **Patent No.:** **US D793,540 S**

(45) **Date of Patent:** **** Aug. 1, 2017**

(54) **FASCIA GUTTER**

(71) Applicant: **Mike Adams**, Fullerton, CA (US)

(72) Inventor: **Mike Adams**, Fullerton, CA (US)

(**) Term: **14 Years**

(21) Appl. No.: **29/526,480**

(22) Filed: **May 9, 2015**

(51) **LOC (10) Cl.** **23-01**

(52) **U.S. Cl.**
USPC **D23/267**

(58) **Field of Classification Search**
USPC D23/259, 261–262, 264–265, 267–269,
D23/393; D25/119–125, 141
CPC ... E04D 13/08; E04D 13/076; E04D 13/0722;
E04D 13/0725; E04D 2013/0833; E04D
2013/082; E04D 2013/0866; E04D
2013/086; E04B 1/3404; E04B 1/7069
See application file for complete search history.

(56) **References Cited**

U.S. PATENT DOCUMENTS

D217,247 S	4/1970	Brown	
3,545,144 A	12/1970	Sickler	
4,142,370 A *	3/1979	Giordano E04D 13/068 405/119
D268,703 S *	4/1983	Lloyd-Jones D25/55
D276,684 S	12/1984	Schwartz	
D328,500 S	8/1992	Hardy	
5,216,861 A	6/1993	Meyerson	
5,345,727 A	9/1994	McCrea	
5,502,939 A	4/1996	Zadok	
5,765,328 A	6/1998	Moore	
D420,149 S *	2/2000	Hersh D25/119
D425,605 S	5/2000	Palmisano	
D450,107 S	11/2001	Van Adrichem	
D454,180 S	3/2002	Wessels	
D468,445 S *	1/2003	Cormier D25/55
D479,751 S *	9/2003	Schofield D23/267
D486,921 S *	2/2004	Zyburt D25/119
D497,751 S	11/2004	Roberts	

6,988,335 B2	1/2006	Eyers	
D518,186 S *	3/2006	Zarb D25/119
D586,436 S	2/2009	Cangialosi	
D586,437 S	2/2009	Cangialosi	
D646,763 S *	10/2011	Straughn D23/266

(Continued)

OTHER PUBLICATIONS

<http://www.coverkits.com/InstallationInstructions/InstructionsUninsulatedNewport.pdf> www.coverkits.com as of Apr. 13, 2015, Publication Date unknown.

(Continued)

Primary Examiner — Eric Goodman
Assistant Examiner — Amy Wierenga
(74) *Attorney, Agent, or Firm* — The Law Office of Austin Bonderer, PC; Austin Bonderer

(57) **CLAIM**

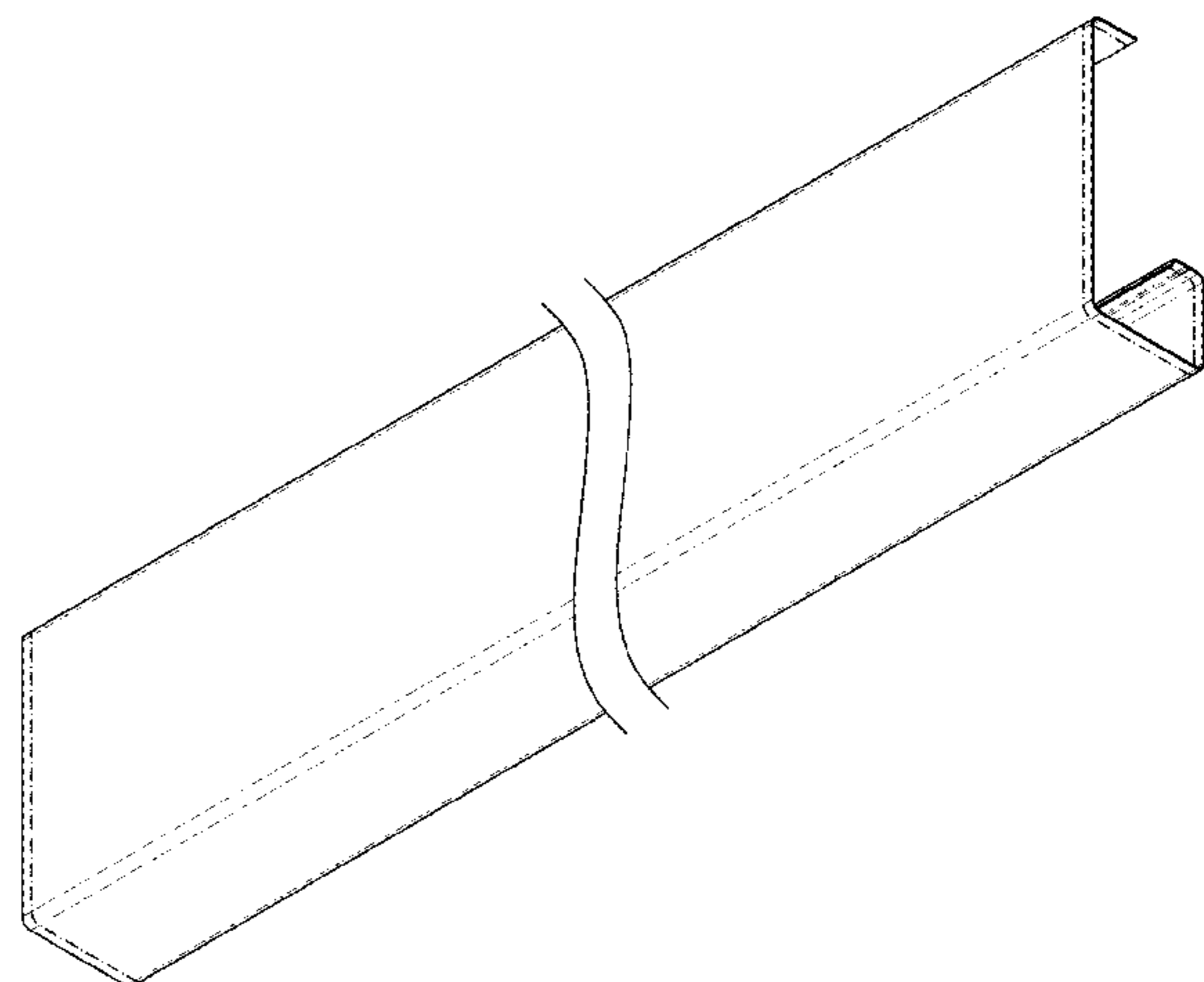
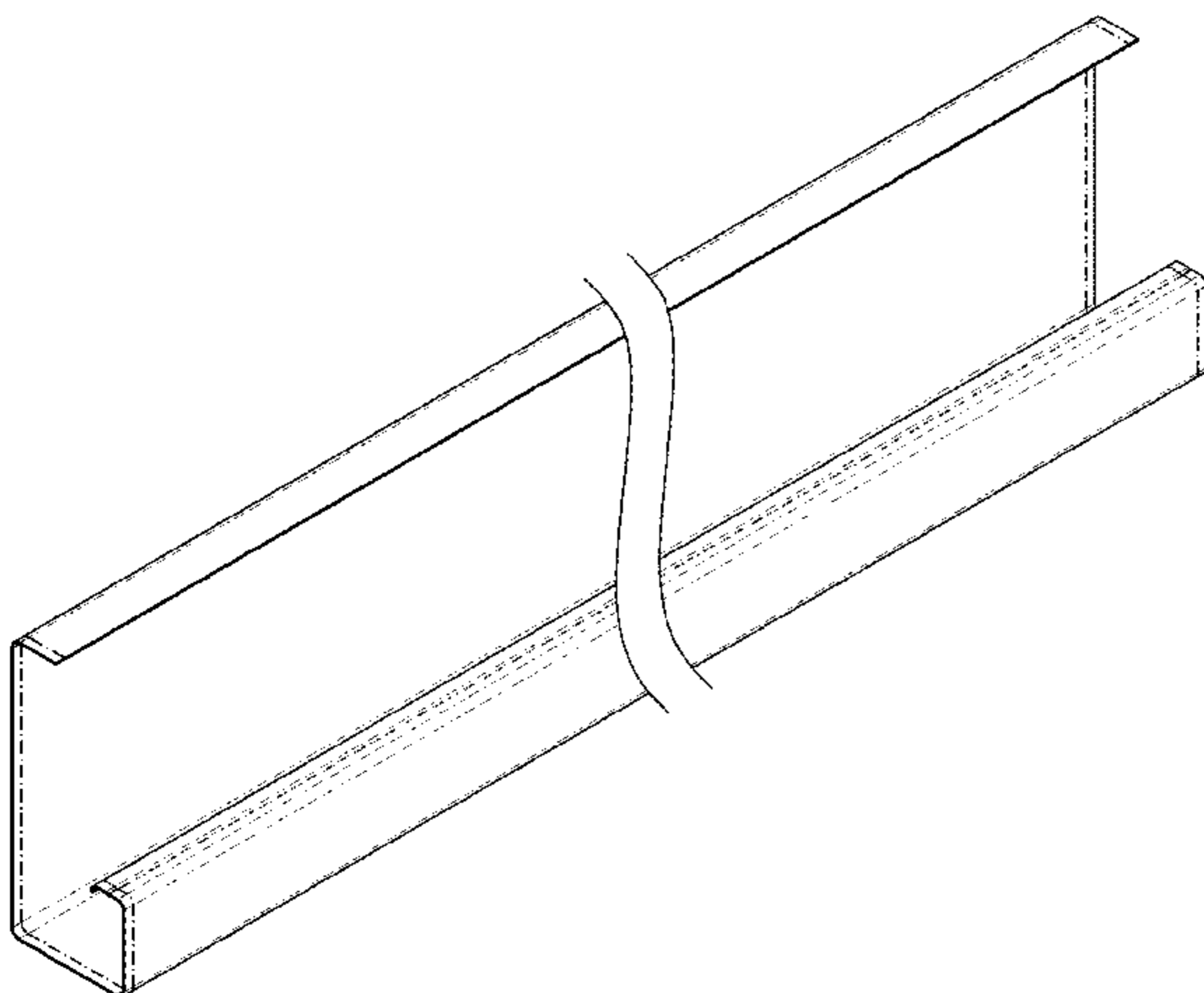
The ornamental design for a fascia gutter, as shown and described.

DESCRIPTION

FIG. 1 is a rear top auxiliary view of the fascia gutter showing my new design;
FIG. 2 is a front bottom auxiliary view thereof;
FIG. 3 is a rear side plan view thereof;
FIG. 4 is a front side plan view thereof;
FIG. 5 is a bottom plan view thereof;
FIG. 6 is a top plan view thereof; and,
FIG. 7 is a side plan view thereof.

The dashed broken lines in the drawings depict portions (or contours) of the fascia gutter that form no part of the claim. The dash-dot broken lines define the boundaries of the claim that form no part of the claim. FIGS. 1-6 are shown with a symbolic break in their length. The appearance of any portion of the article between the break lines form no part of the claimed design.

1 Claim, 4 Drawing Sheets



(56)

References Cited

U.S. PATENT DOCUMENTS

D677,767 S 3/2013 Adams
D679,369 S 4/2013 Adams
D680,200 S 4/2013 Adams
D680,201 S 4/2013 Adams
8,590,211 B1 * 11/2013 Adams E04D 13/064
52/11
8,978,312 B2 * 3/2015 Chin-Yee E04D 13/064
52/11
9,115,496 B2 * 8/2015 Adams E04D 13/158
D745,643 S * 12/2015 Rowton D23/267
D749,775 S * 2/2016 Provitola D26/118
2004/0163330 A1 8/2004 Crum
2009/0266018 A1 10/2009 Stockton
2013/0276380 A1 * 10/2013 Adams E04D 13/158
52/12

OTHER PUBLICATIONS

http://www.alumashade.com/docs/2013_Solid_Instructions.pdf
www.alumashade.com as of Apr. 13, 2015, Publication Date
unknown.
Amerimax Building Products, Inc—Amerimax Building Products
Patio Cover, Carport and Commercial Structure Engineering, Date
Unknown, but at least Jun. 2010.

* cited by examiner

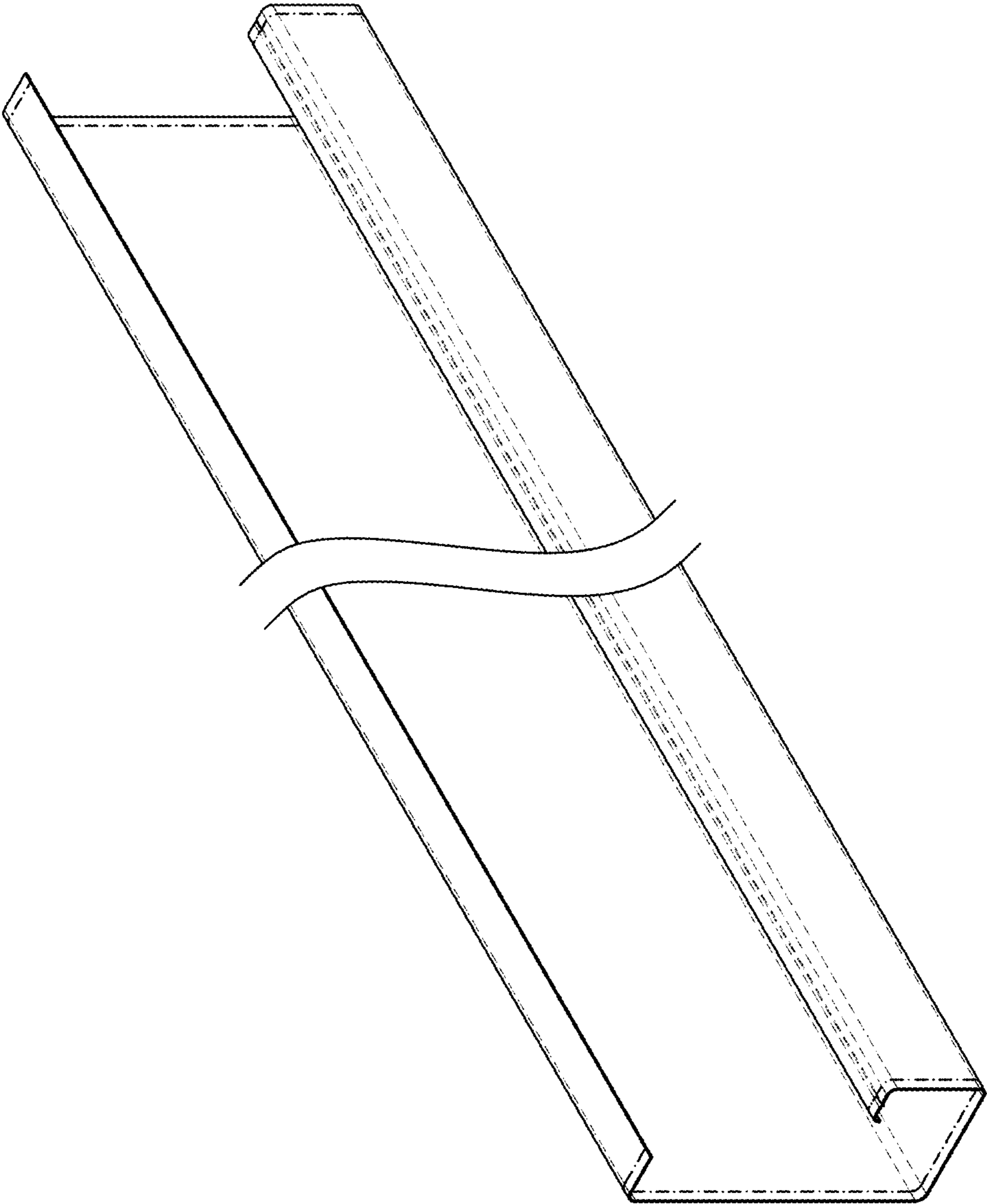


FIG. 1

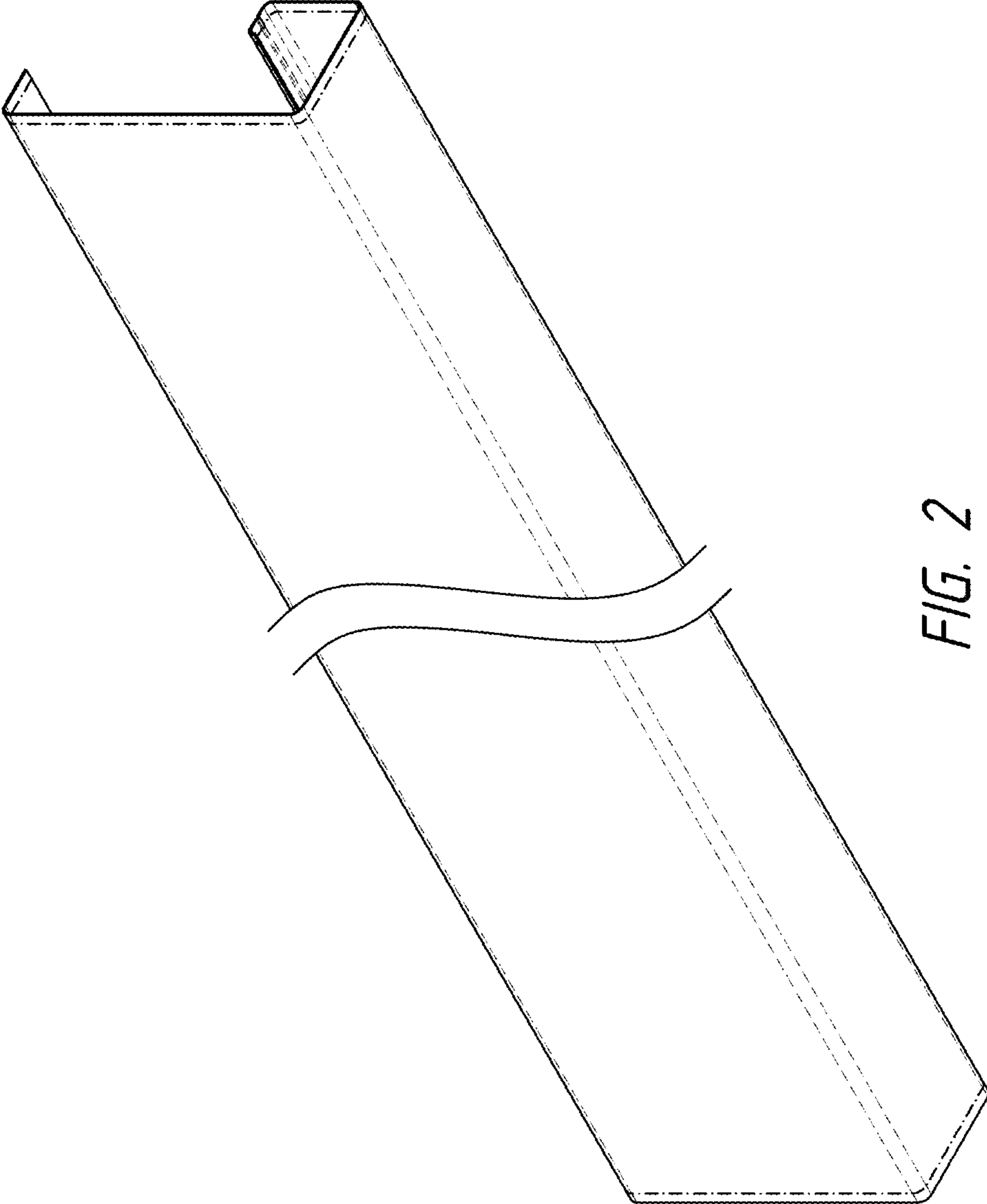


FIG. 2

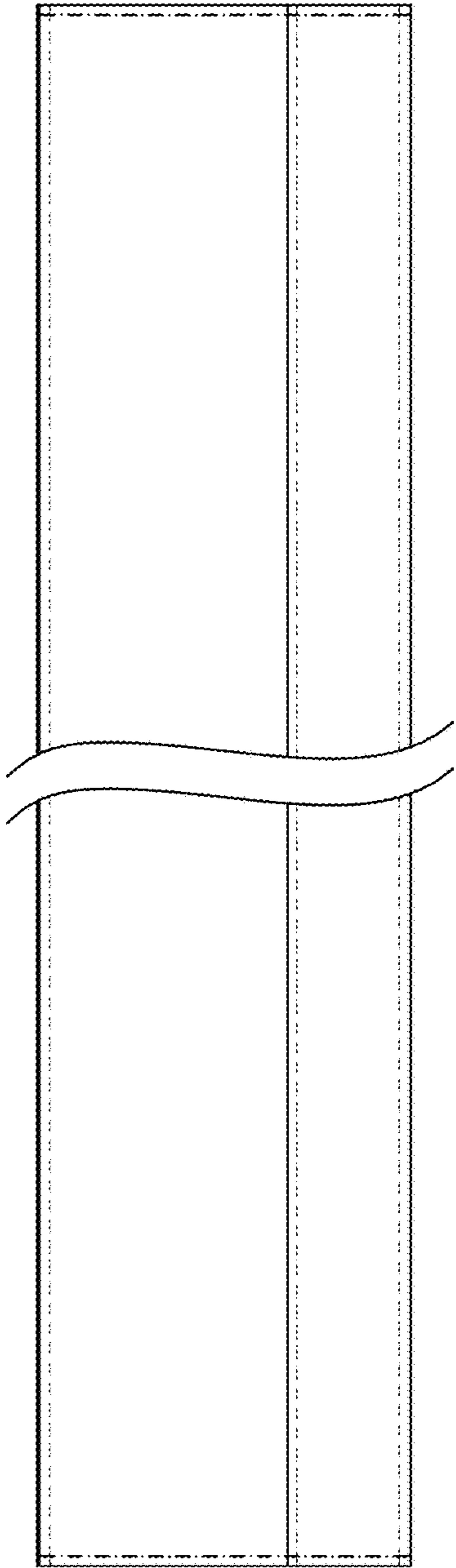


FIG. 3

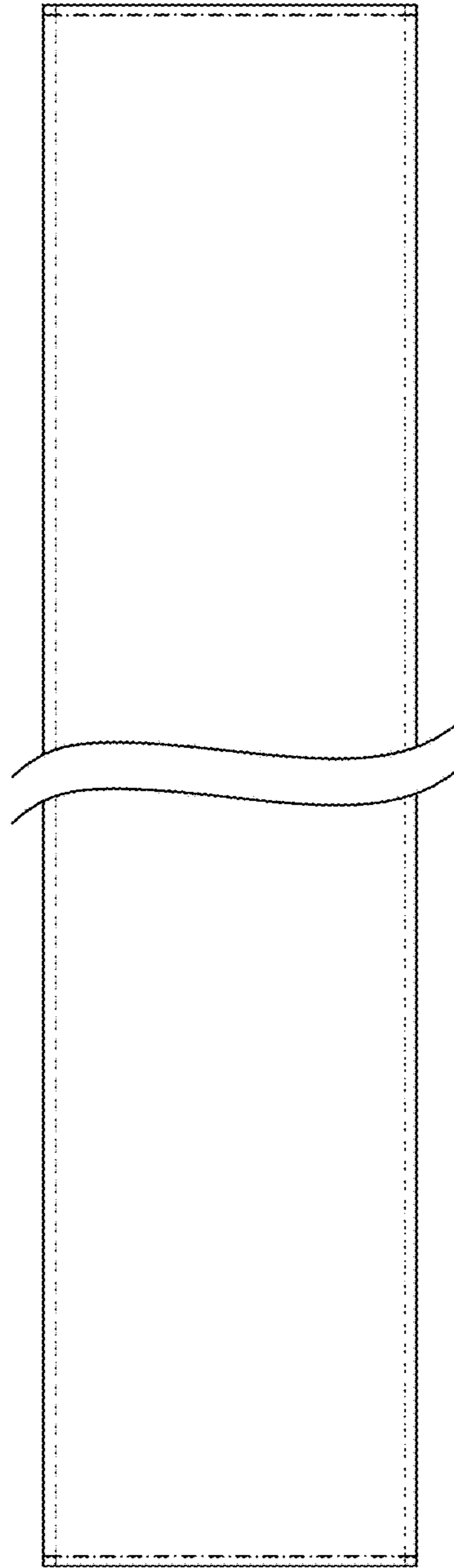


FIG. 4

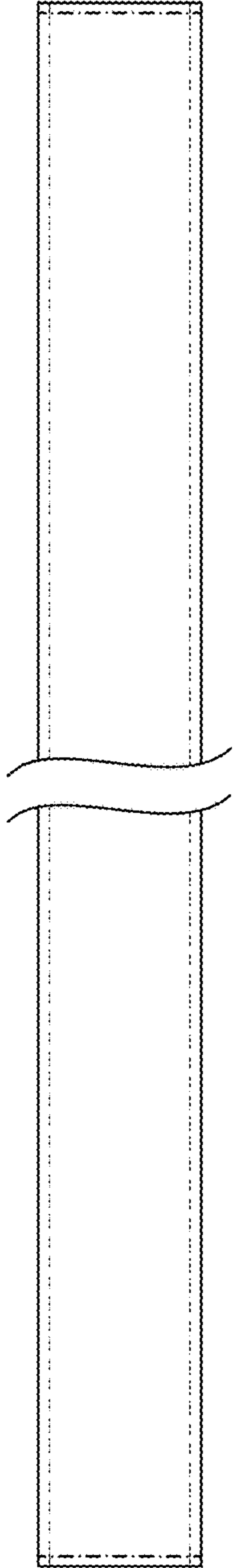


FIG. 5

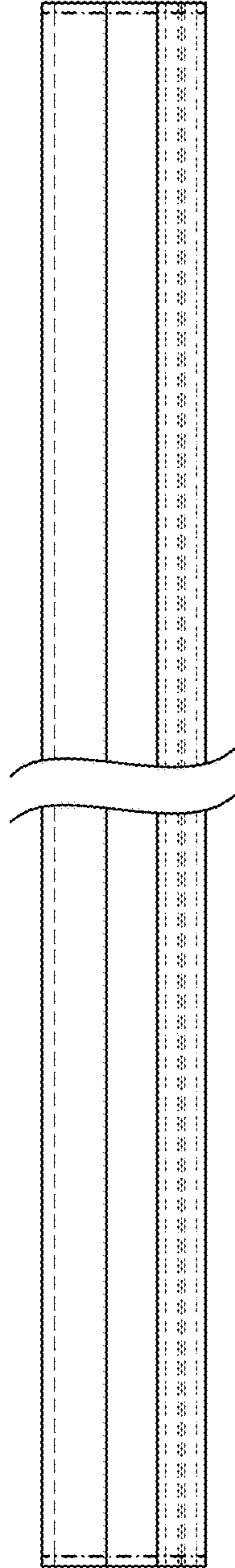


FIG. 6

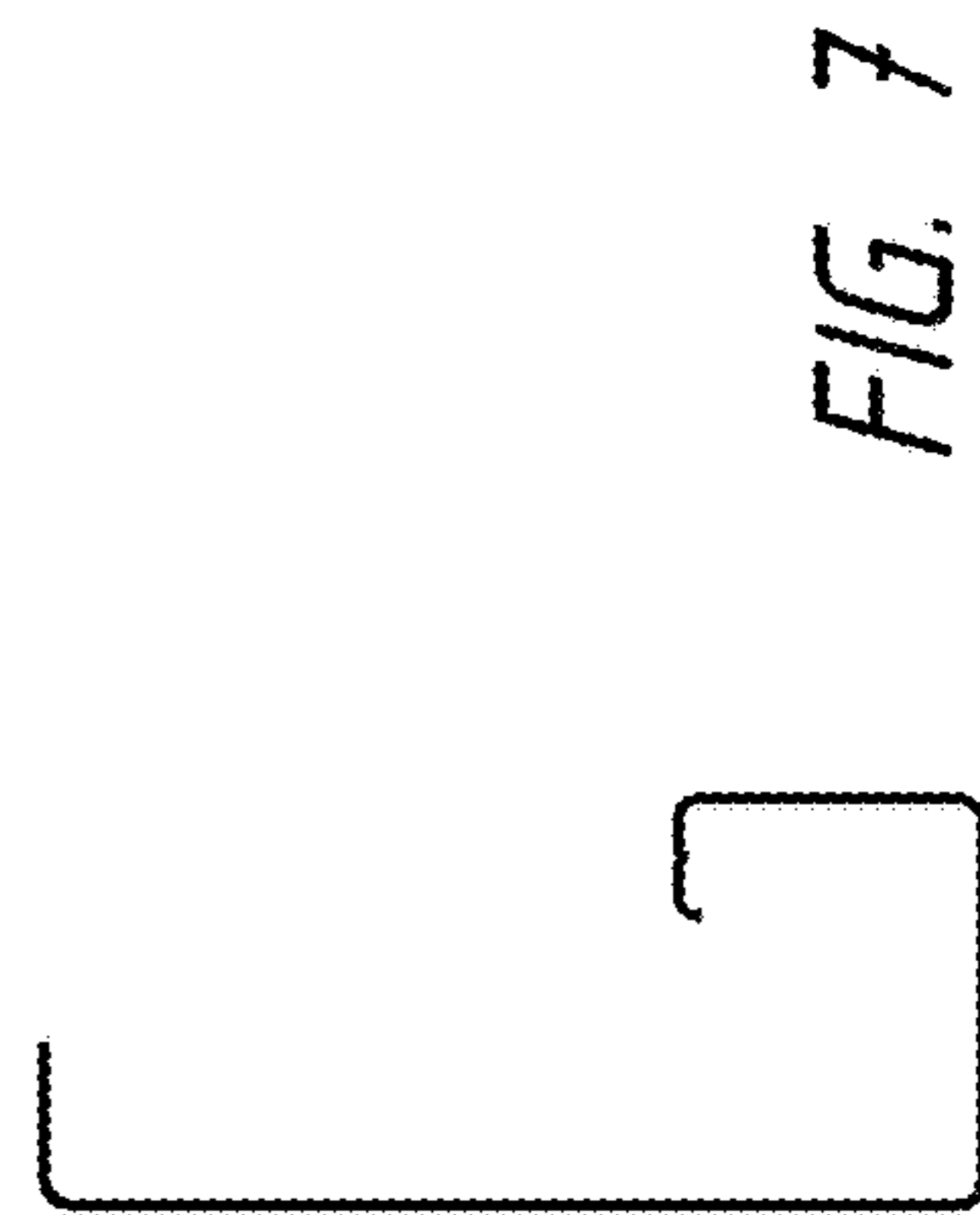


FIG. 7