

US00D793539S

(12) **United States Design Patent**  
**Fritz et al.**

(10) **Patent No.:** **US D793,539 S**

(45) **Date of Patent:** **\*\* Aug. 1, 2017**

(54) **FAUCET SPOUT**

(71) Applicant: **DELTA FAUCET COMPANY,**  
Indianapolis, IN (US)

(72) Inventors: **Seth Fritz,** Carmel, IN (US); **Romina Barrera Enciso,** Colts Neck, NJ (US)

(73) Assignee: **DELTA FAUCET COMPANY,**  
Indianapolis, IN (US)

(\*\*) Term: **15 Years**

(21) Appl. No.: **29/554,981**

(22) Filed: **Feb. 17, 2016**

(51) **LOC (10) Cl.** ..... **23-01**

(52) **U.S. Cl.**  
USPC ..... **D23/255**

(58) **Field of Classification Search**  
USPC ..... D23/238-243, 249, 255, 257  
CPC . E03C 1/00; E03C 1/0404; E03C 1/02; E03C  
1/021  
See application file for complete search history.

(56) **References Cited**

**U.S. PATENT DOCUMENTS**

D461,230 S \* 8/2002 Ko ..... D23/255  
D486,563 S \* 2/2004 Hsieh ..... D23/238

D713,511 S \* 9/2014 Potter ..... D23/257  
D721,792 S \* 1/2015 McNinch ..... D23/255  
D732,144 S \* 6/2015 Bahler ..... D23/257

\* cited by examiner

*Primary Examiner* — Robert Delehanty

(74) *Attorney, Agent, or Firm* — Edgar A. Zarins; Nirav D. Parikh

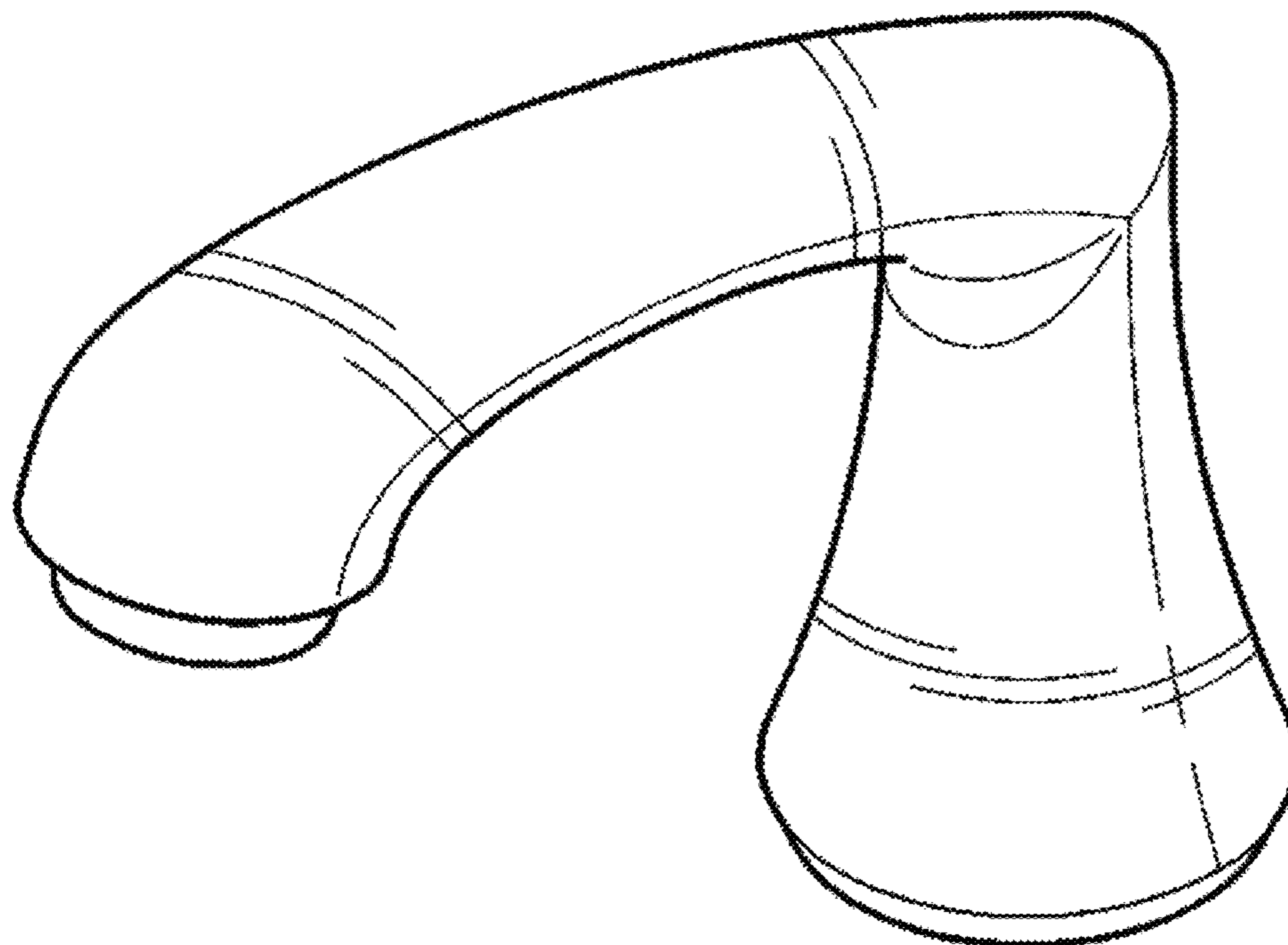
(57) **CLAIM**

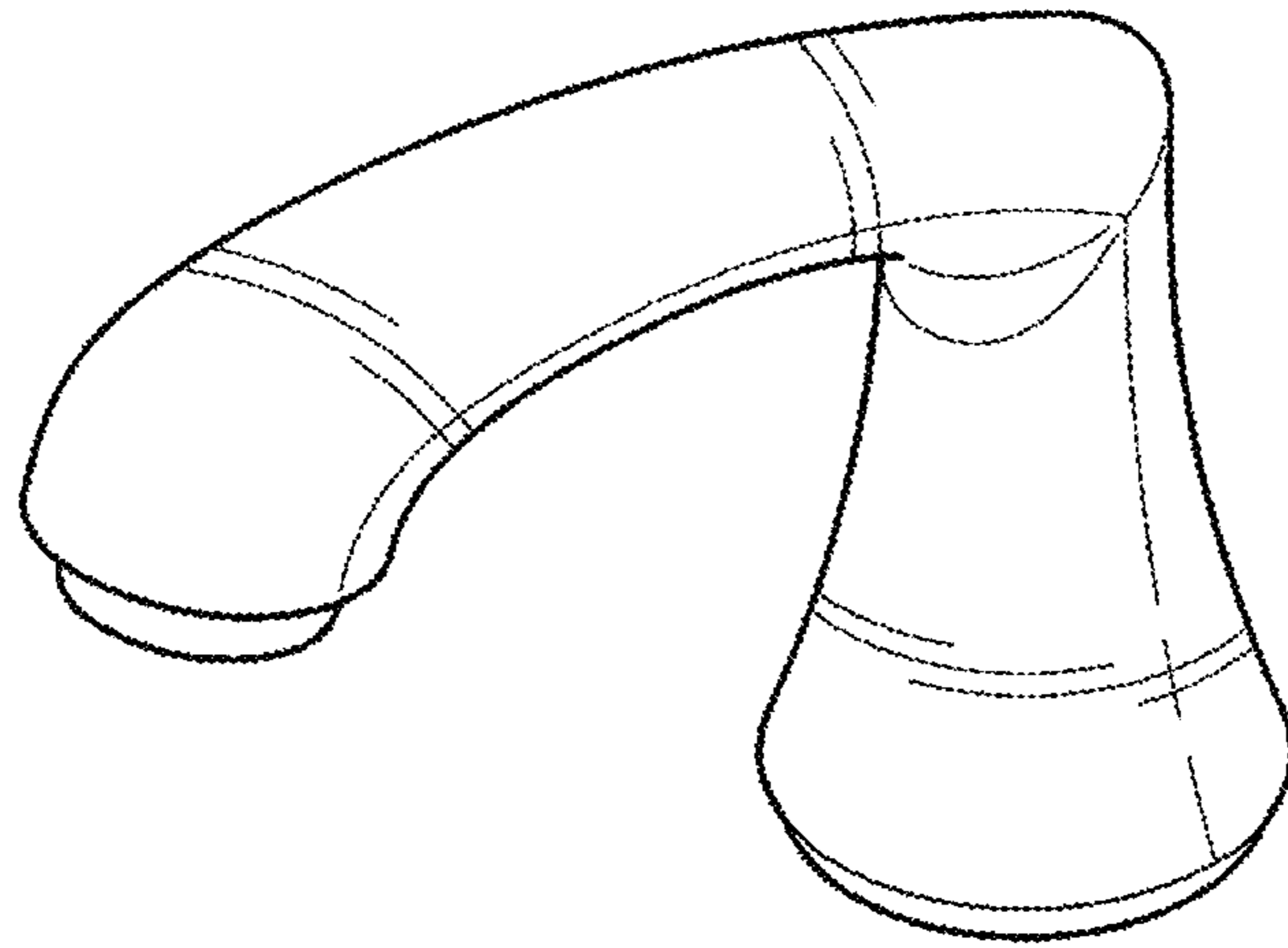
The ornamental design for a faucet spout, as shown and described.

**DESCRIPTION**

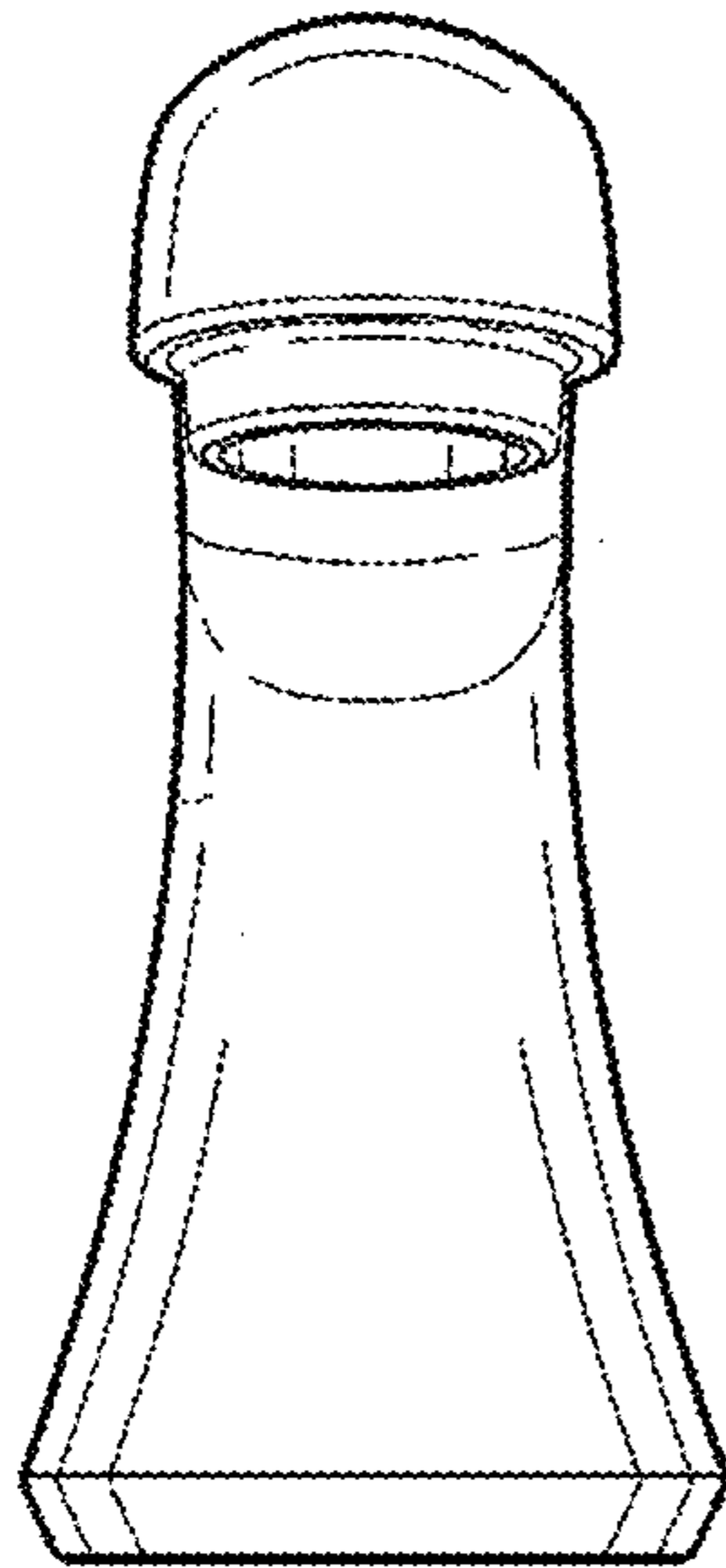
FIG. 1 is a perspective view of a faucet spout showing our new design;  
FIG. 2 is a front elevational view thereof;  
FIG. 3 is a rear view thereof;  
FIG. 4 is a right side view thereof, the opposite side being a mirror image of the side shown;  
FIG. 5 is a top plan view thereof; and,  
FIG. 6 is a bottom view thereof.  
The broken line shown in FIG. 6 of the drawings is included for the purpose of illustrating a portion of the faucet spout that forms no part of the claimed design.

**1 Claim, 2 Drawing Sheets**

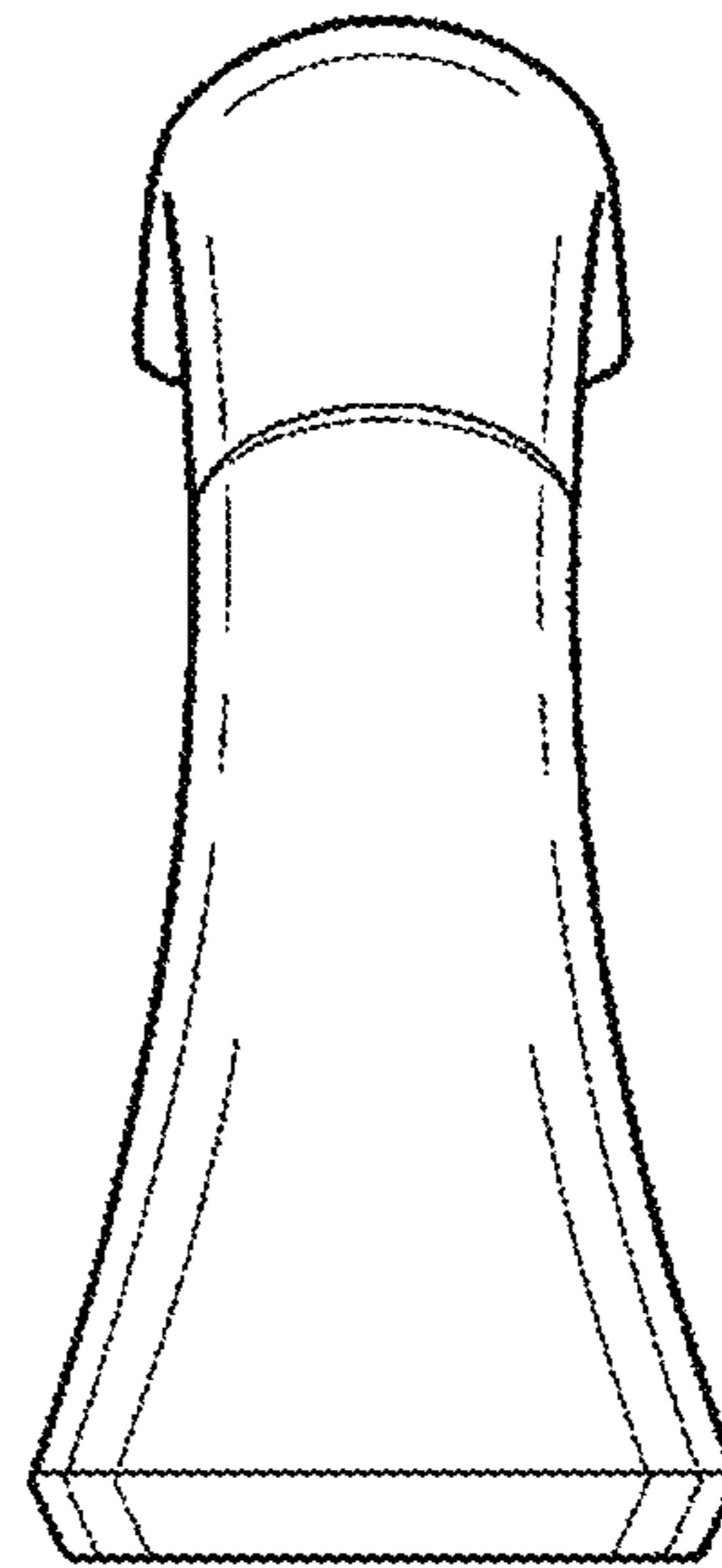




**Fig-1**



**Fig-2**



**Fig-3**

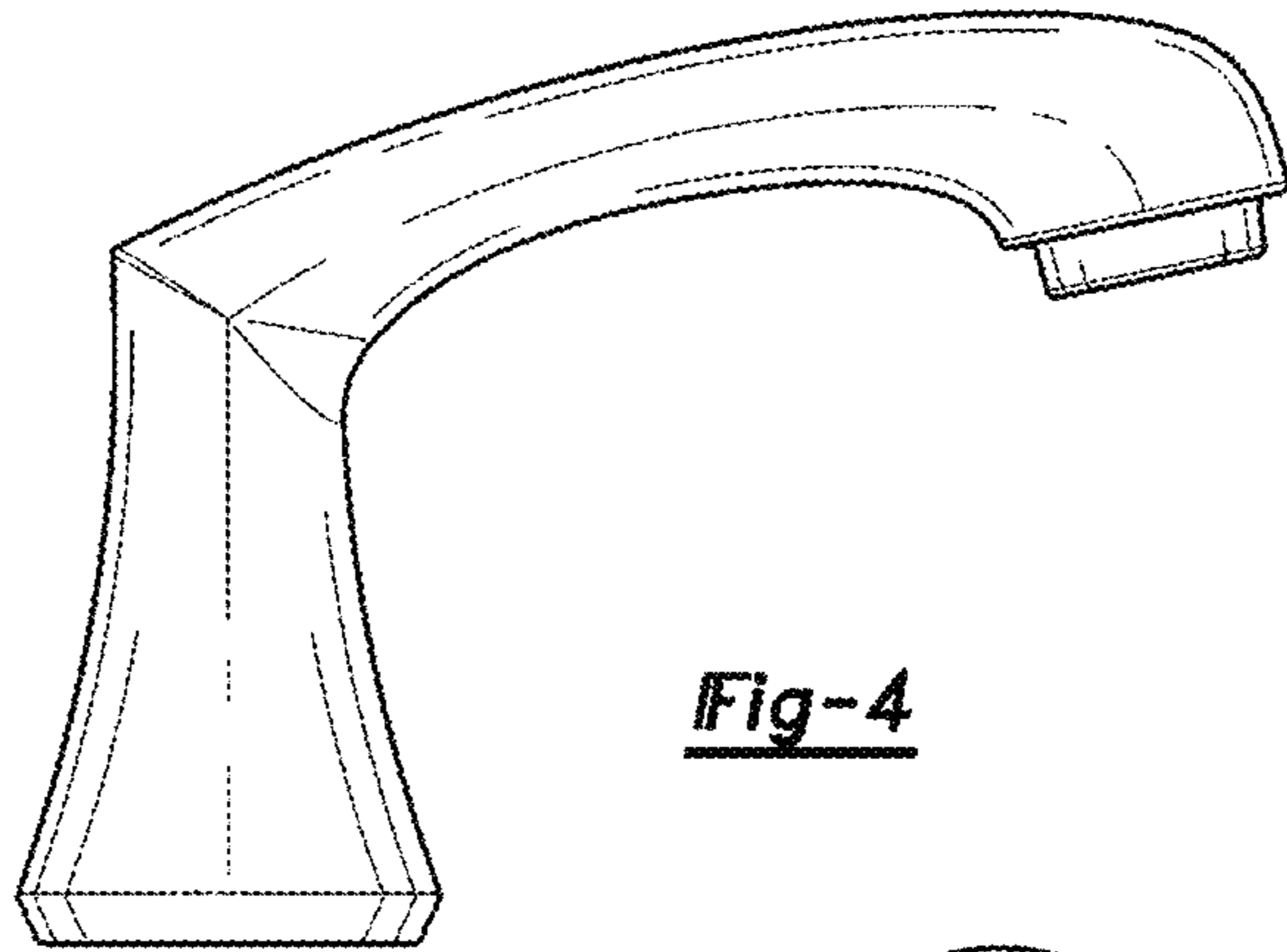


Fig-4

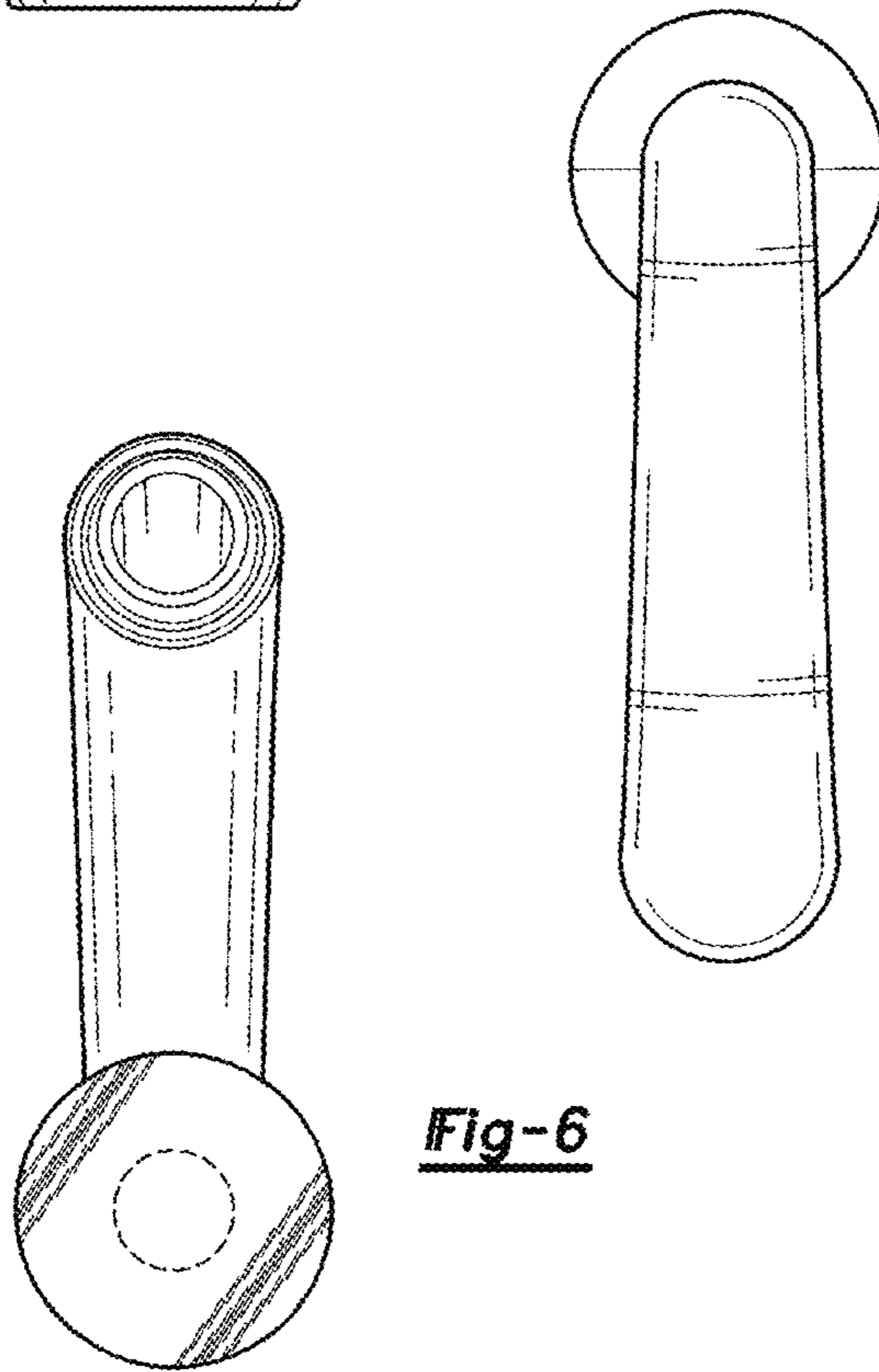


Fig-5

Fig-6