



US00D793536S

(12) **United States Design Patent**  
**Fritz et al.**

(10) **Patent No.:** **US D793,536 S**  
(45) **Date of Patent:** **\*\* Aug. 1, 2017**

(54) **FAUCET HANDLE**  
(71) Applicant: **DELTA FAUCET COMPANY,**  
Indianapolis, IN (US)  
(72) Inventors: **Seth Fritz,** Carmel, IN (US); **Romina**  
**Barrera Enciso,** Colts Neck, NJ (US)  
(73) Assignee: **DELTA FAUCET COMPANY,**  
Indianapolis, IN (US)  
(\*\*) Term: **15 Years**  
(21) Appl. No.: **29/554,978**  
(22) Filed: **Feb. 17, 2016**  
(51) **LOC (10) Cl.** ..... **23-01**  
(52) **U.S. Cl.**  
USPC ..... **D23/252**  
(58) **Field of Classification Search**  
USPC ..... D23/238, 241-243, 249-250, 252, 254;  
D8/307-308, 310  
CPC . E03C 1/00; E03C 1/0404; E03C 1/02; E03C  
1/021  
See application file for complete search history.

D523,937 S \* 6/2006 Schaffeld ..... D23/252  
D660,943 S \* 5/2012 Georgeson ..... D23/252  
D661,782 S \* 6/2012 Slothower ..... D23/252  
D676,936 S \* 2/2013 Kwok ..... D23/252  
D676,938 S \* 2/2013 Kwok ..... D23/252  
D694,369 S \* 11/2013 Mendoza ..... D23/242  
D713,509 S \* 9/2014 Potter ..... D23/242  
D754,297 S \* 4/2016 Garland ..... D23/242

\* cited by examiner

*Primary Examiner* — Robert Delehanty

(74) *Attorney, Agent, or Firm* — Edgar A. Zarins; Nirav  
D. Parikh

(57) **CLAIM**

The ornamental design for a faucet handle, as shown and  
described.

**DESCRIPTION**

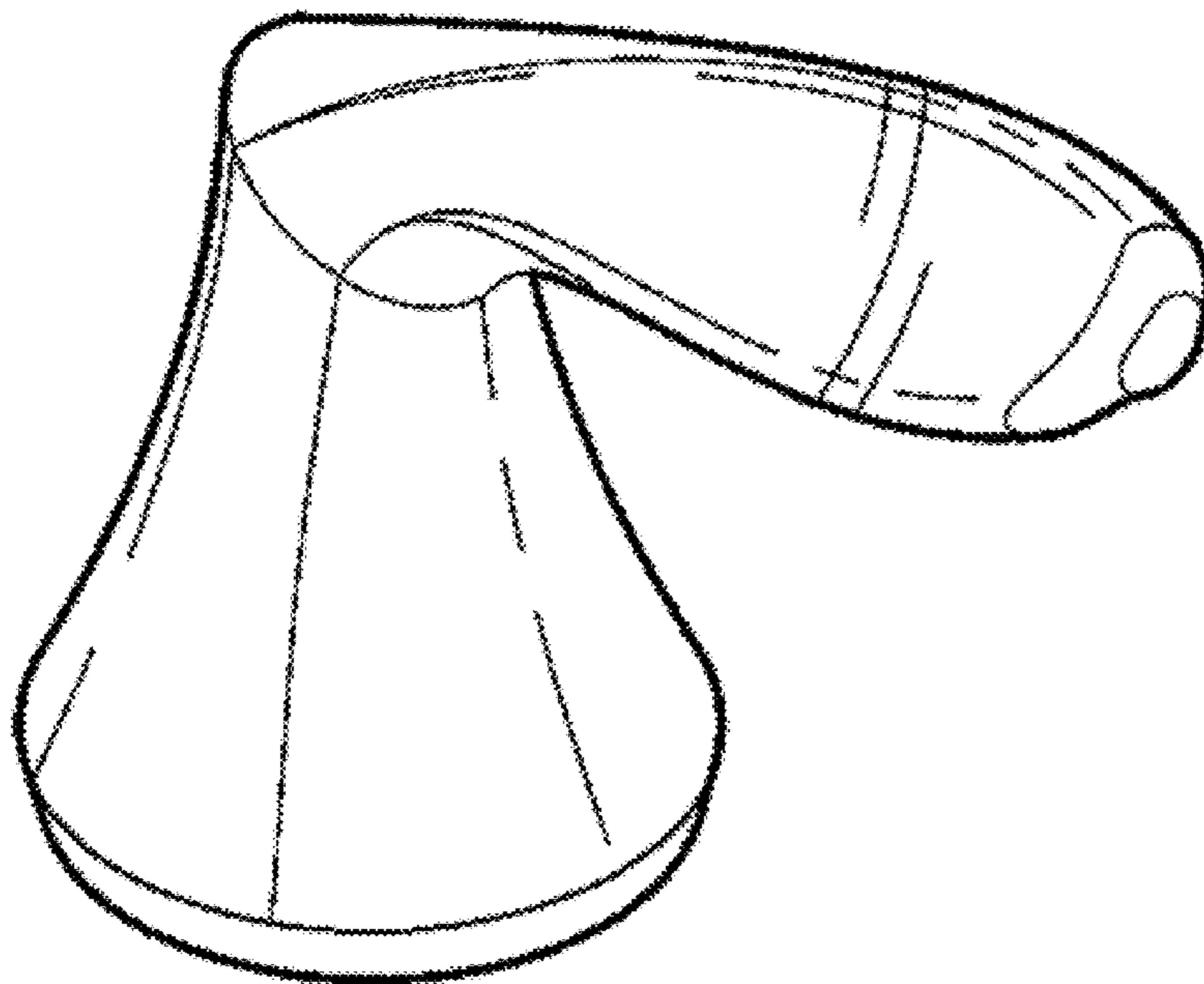
FIG. 1 is a perspective view of a faucet handle showing our  
new design;  
FIG. 2 is a first side view thereof;  
FIG. 3 is a second side view thereof;  
FIG. 4 is an end view thereof;  
FIG. 5 is a top plan view thereof; and,  
FIG. 6 is a bottom view thereof.  
The broken line shown in FIG. 6 of the drawings is included  
for the purpose of illustrating a portion of the handle that  
forms no part of the claimed design.

(56) **References Cited**

**U.S. PATENT DOCUMENTS**

D357,305 S \* 4/1995 Fabian ..... D23/252  
D434,119 S \* 11/2000 Milrud ..... D23/250

**1 Claim, 1 Drawing Sheet**



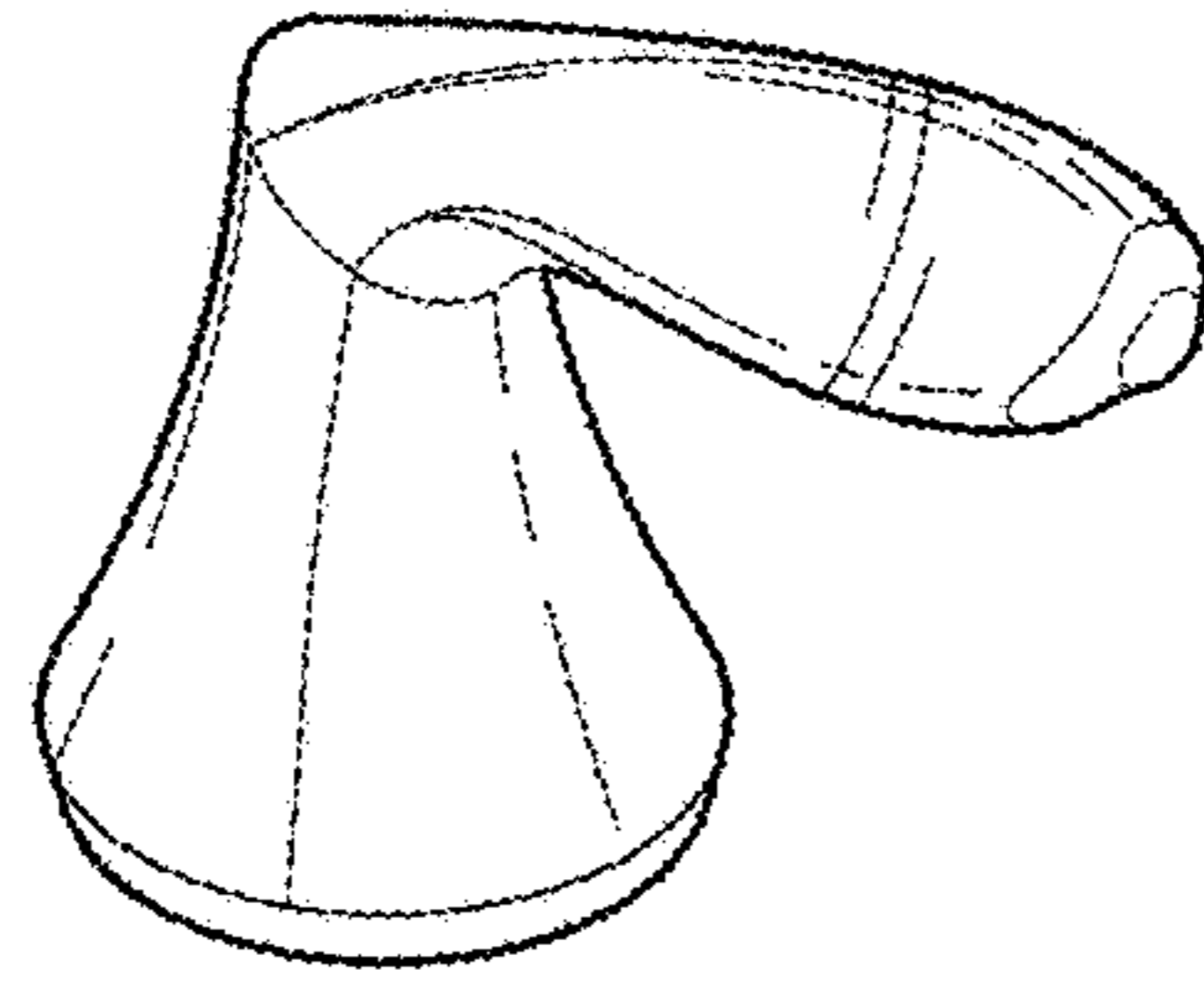


Fig-1

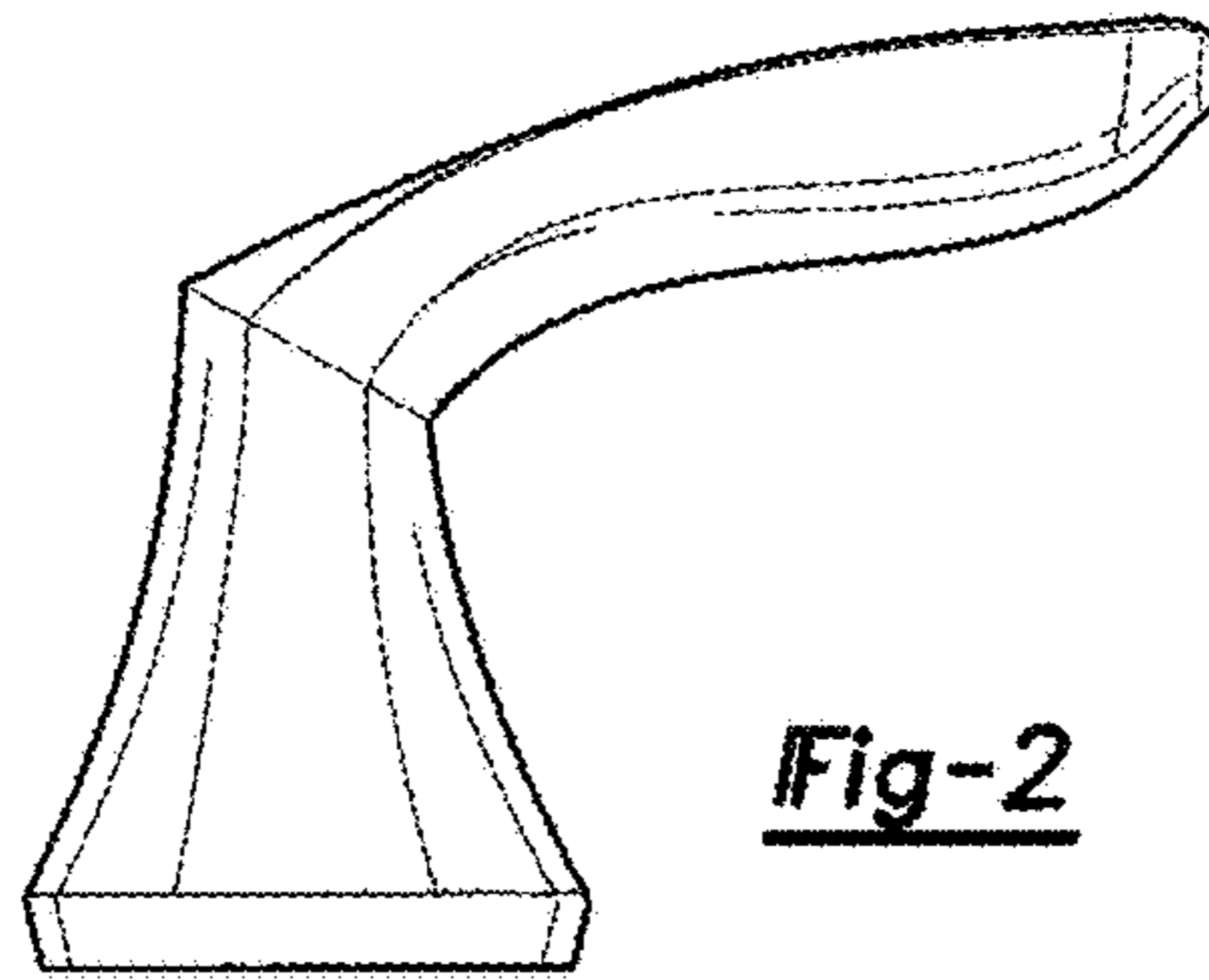


Fig-2

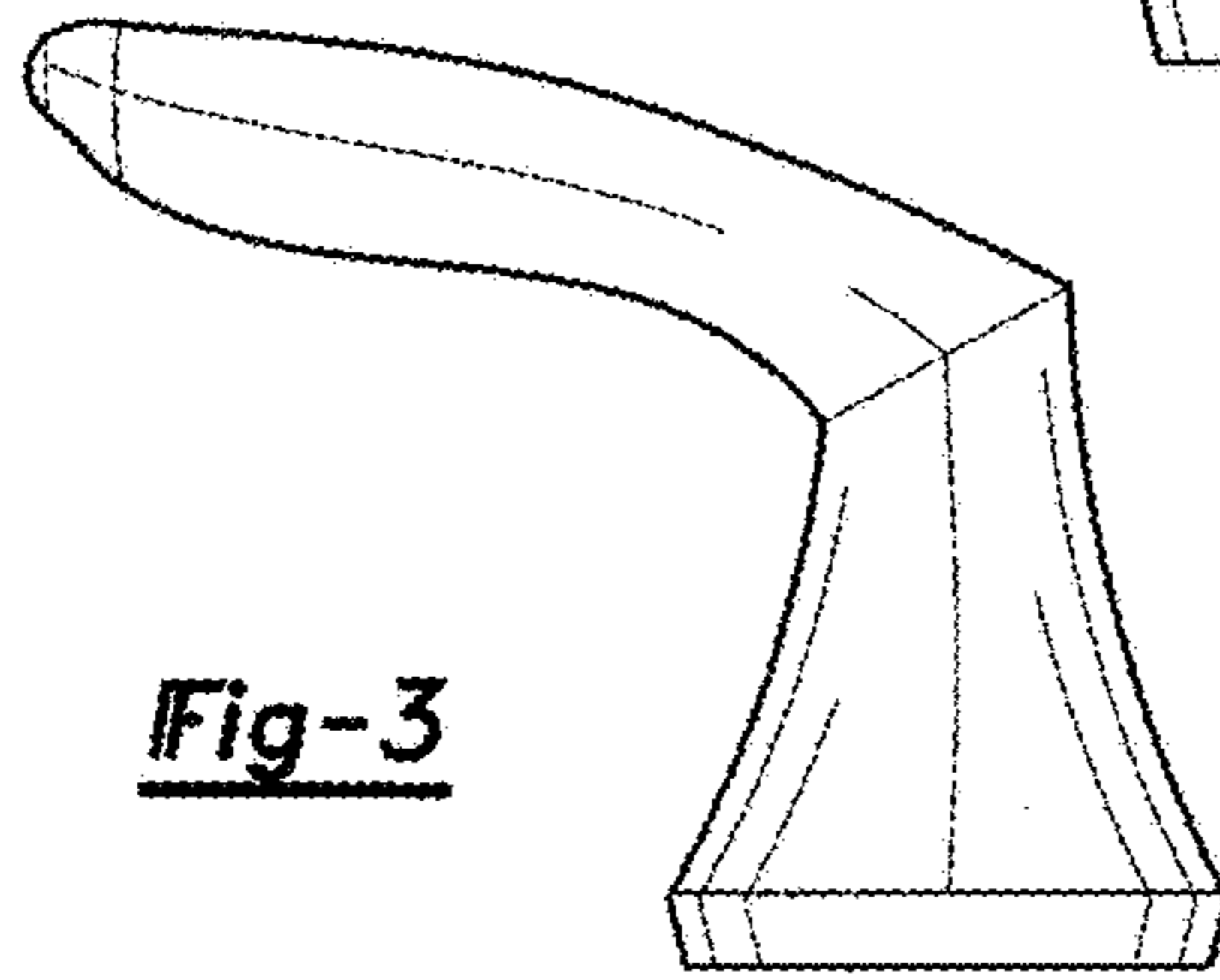


Fig-3

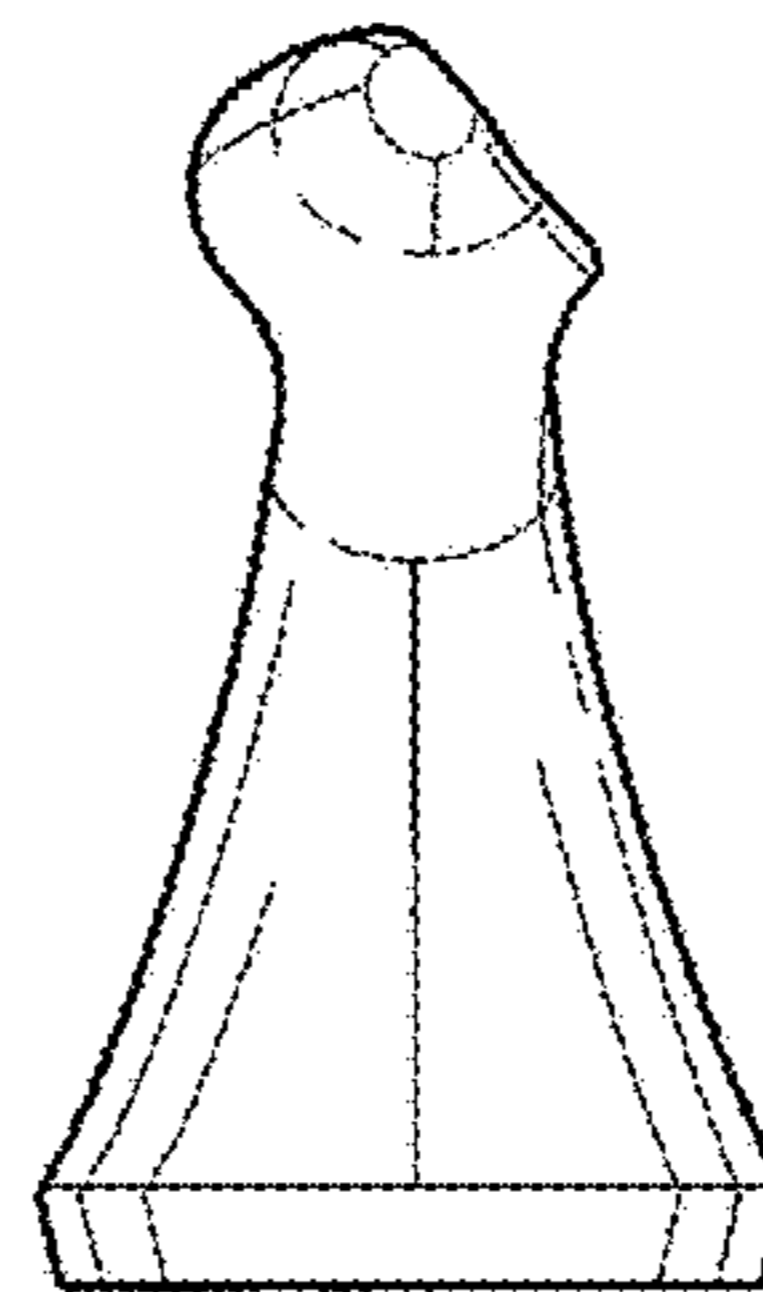


Fig-4

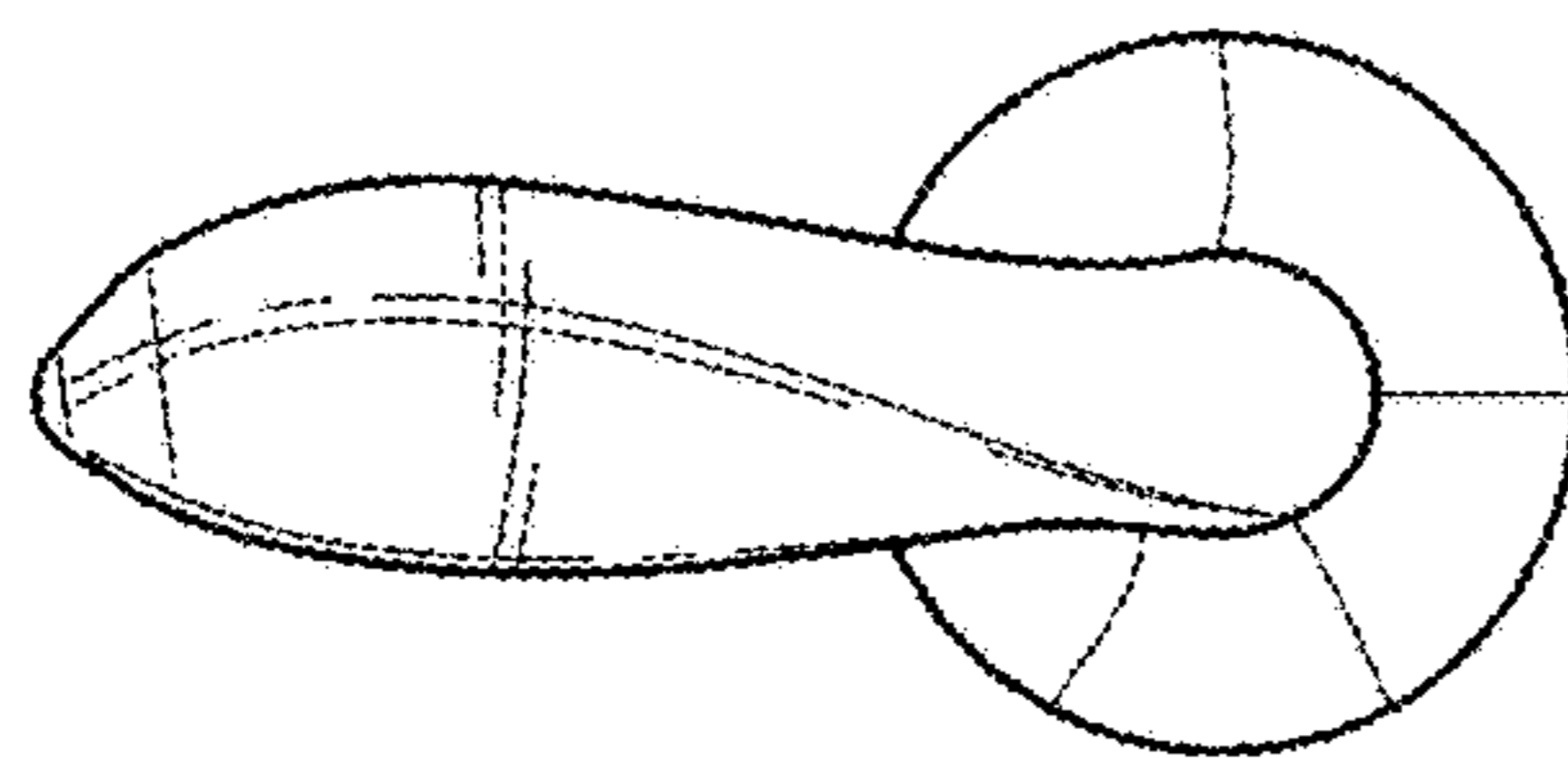


Fig-5

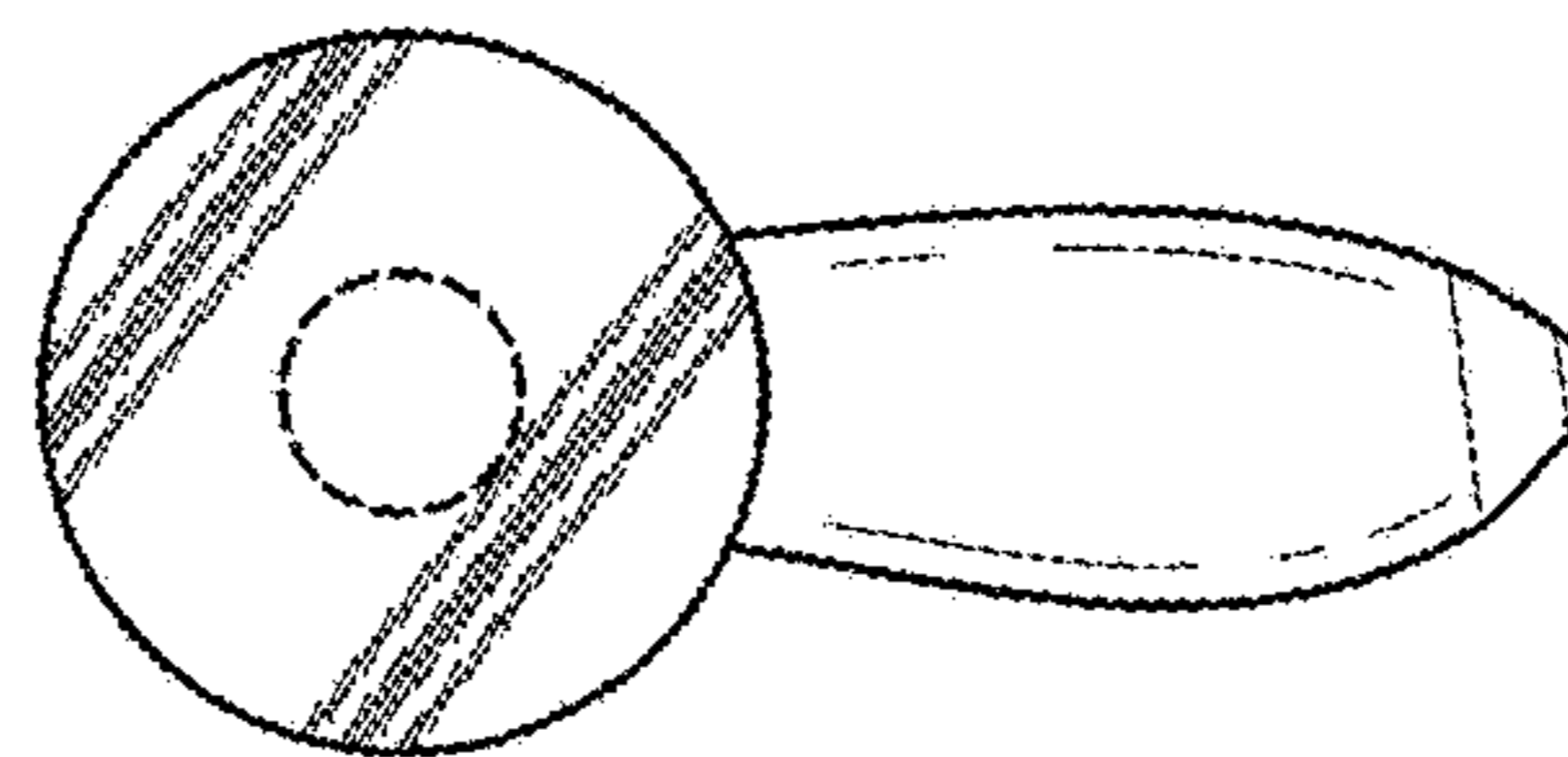


Fig-6