



US00D793535S

(12) **United States Design Patent** (10) **Patent No.:** **US D793,535 S**
Fritz (45) **Date of Patent:** **** Aug. 1, 2017**

(54) **FAUCET**

(71) Applicant: **DELTA FAUCET COMPANY,**
Indianapolis, IN (US)

(72) Inventor: **Seth Fritz,** Carmel, IN (US)

(73) Assignee: **DELTA FAUCET COMPANY,**
Indianapolis, IN (US)

(**) Term: **15 Years**

(21) Appl. No.: **29/555,413**

(22) Filed: **Feb. 22, 2016**

(51) **LOC (10) Cl.** **23-01**

(52) **U.S. Cl.**
USPC **D23/242**

(58) **Field of Classification Search**
USPC D23/238-243, 249-250, 252, 254-255,
D23/257

CPC . E03C 1/00; E03C 1/0404; E03C 1/02; E03C
1/021; E03C 1/0401; E03C 1/04; E03C
1/0402; E03C 1/0403

See application file for complete search history.

(56) **References Cited**

U.S. PATENT DOCUMENTS

D639,396 S * 6/2011 Fritz D23/255
D661,782 S * 6/2012 Slothower D23/252

D676,938 S * 2/2013 Kwok D23/252
D724,184 S * 3/2015 Cahill D23/255
9,109,350 B2 * 8/2015 Zhu E03C 1/0403

* cited by examiner

Primary Examiner — Robert Delehanty

(74) *Attorney, Agent, or Firm* — Edgar A. Zarins; Nirav
D. Parikh

(57) **CLAIM**

The ornamental design for a faucet, as shown and described.

DESCRIPTION

FIG. 1 is a perspective view of a faucet showing my new design;

FIG. 2 is a front elevational view thereof;

FIG. 3 is a right side view thereof, the opposite side being a mirror image of the side shown;

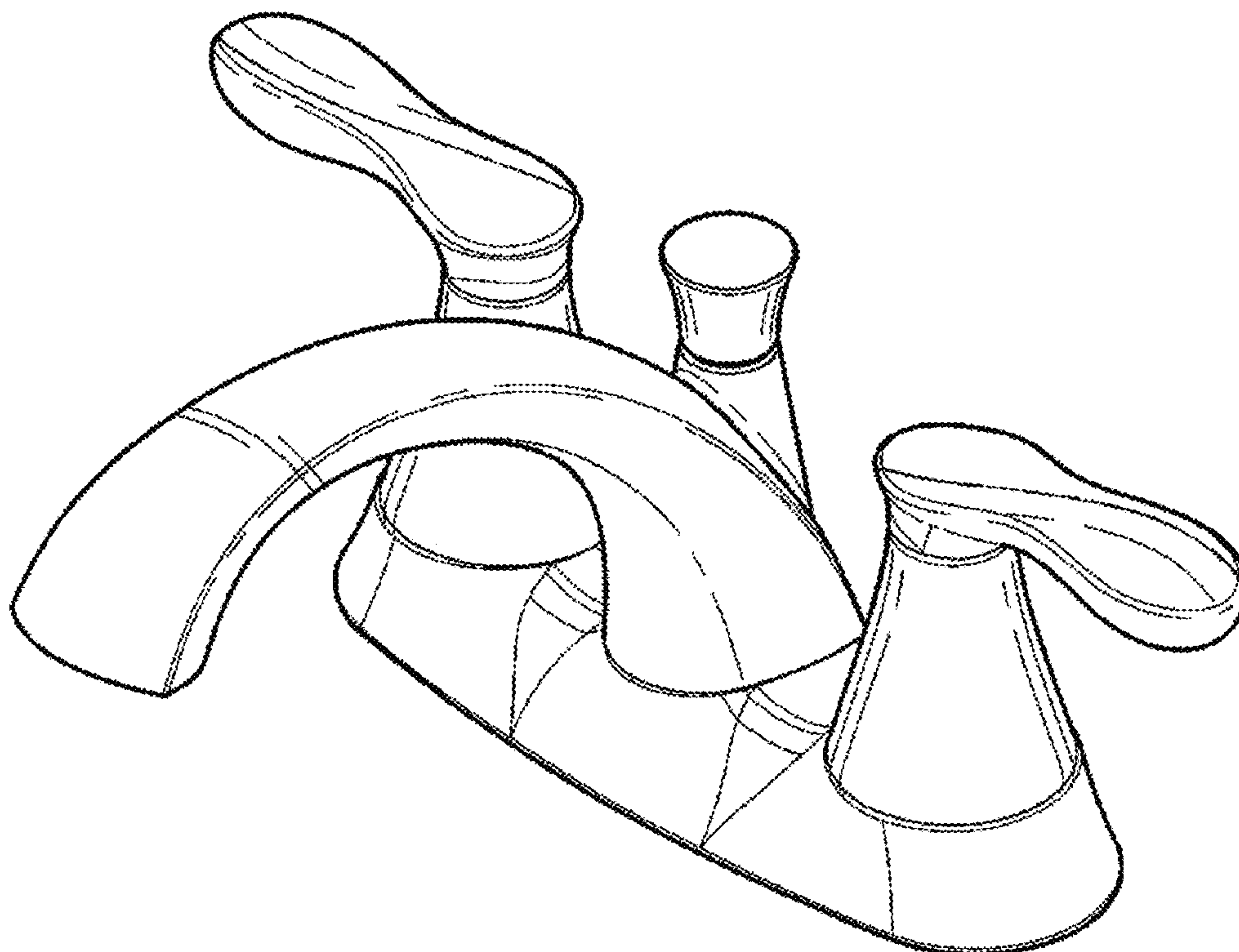
FIG. 4 is a rear view thereof;

FIG. 5 is a top plan view thereof; and,

FIG. 6 is a bottom view thereof.

The broken lines shown in FIG. 6 of the drawings are included for the purpose of illustrating a portion of the faucet that form no part of the claimed design.

1 Claim, 3 Drawing Sheets



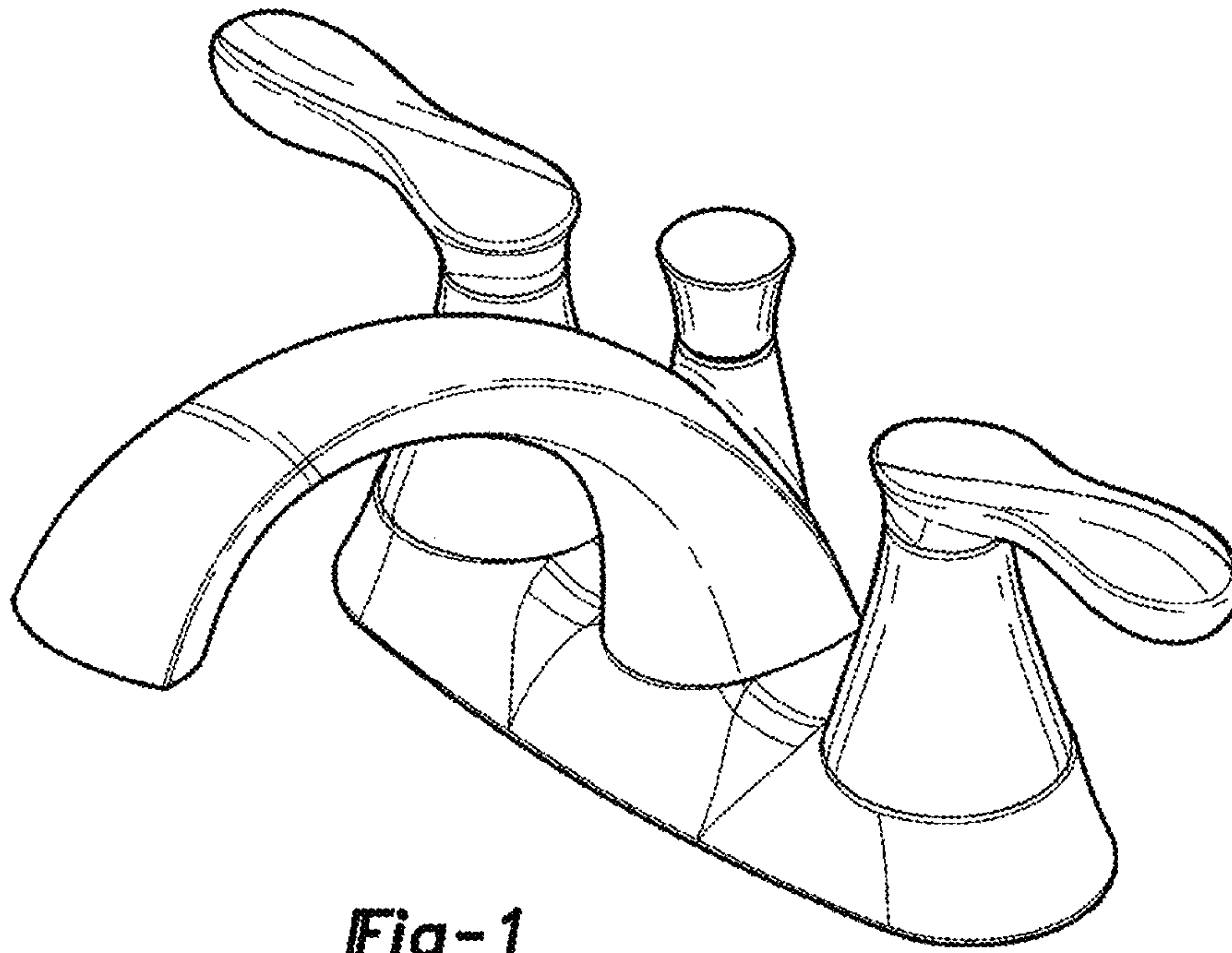


Fig-1

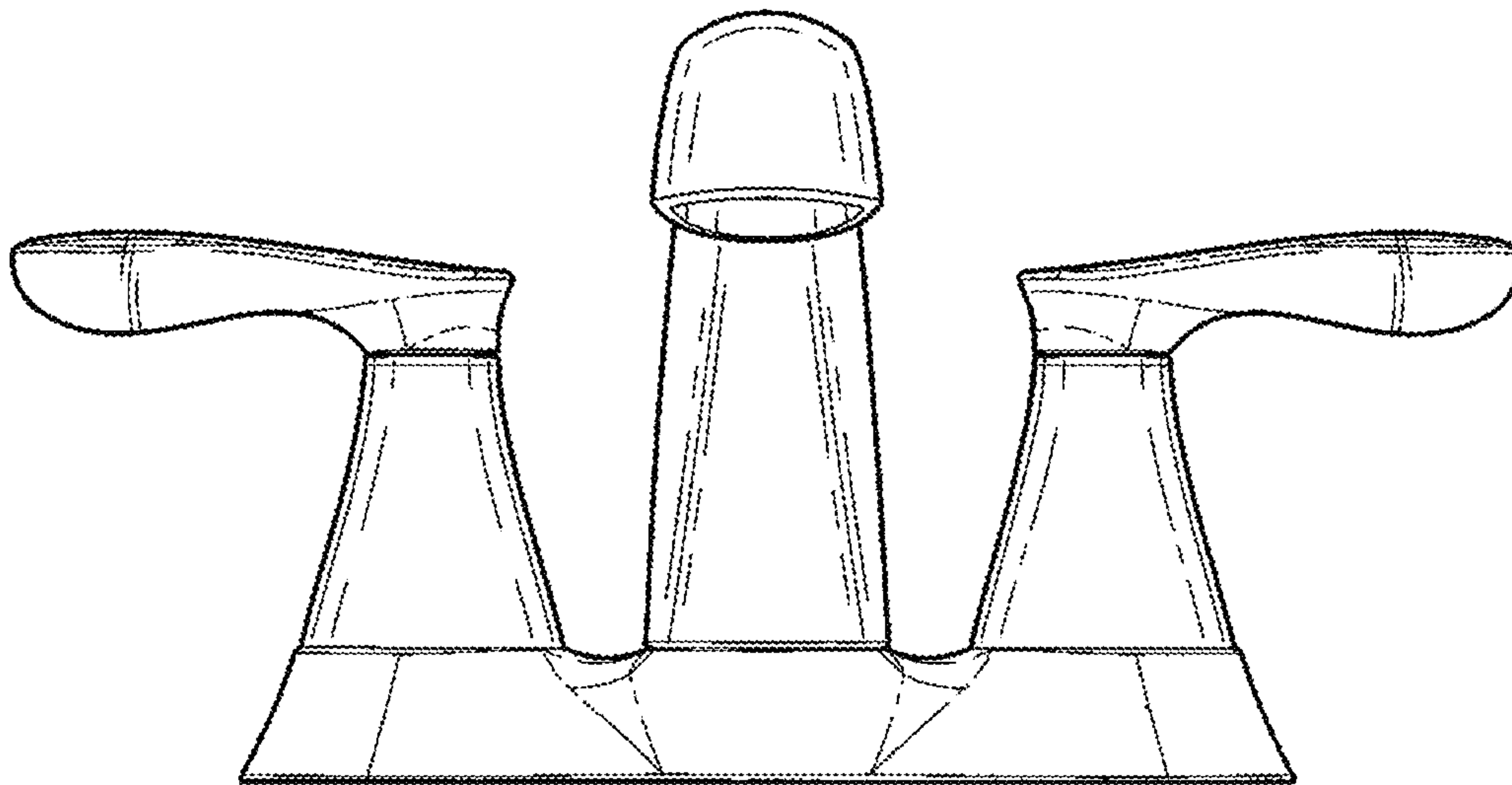


Fig-2

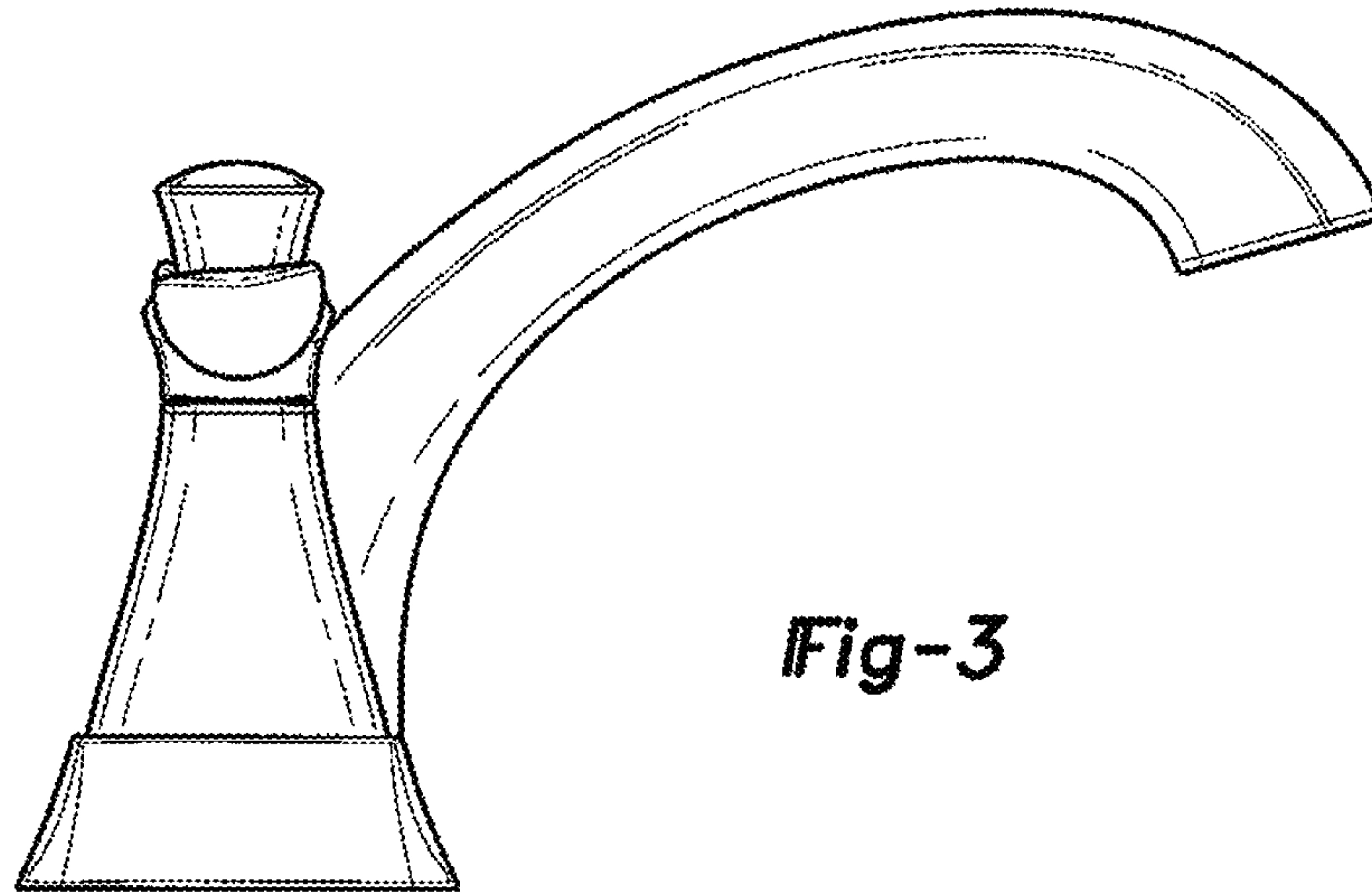


Fig-3

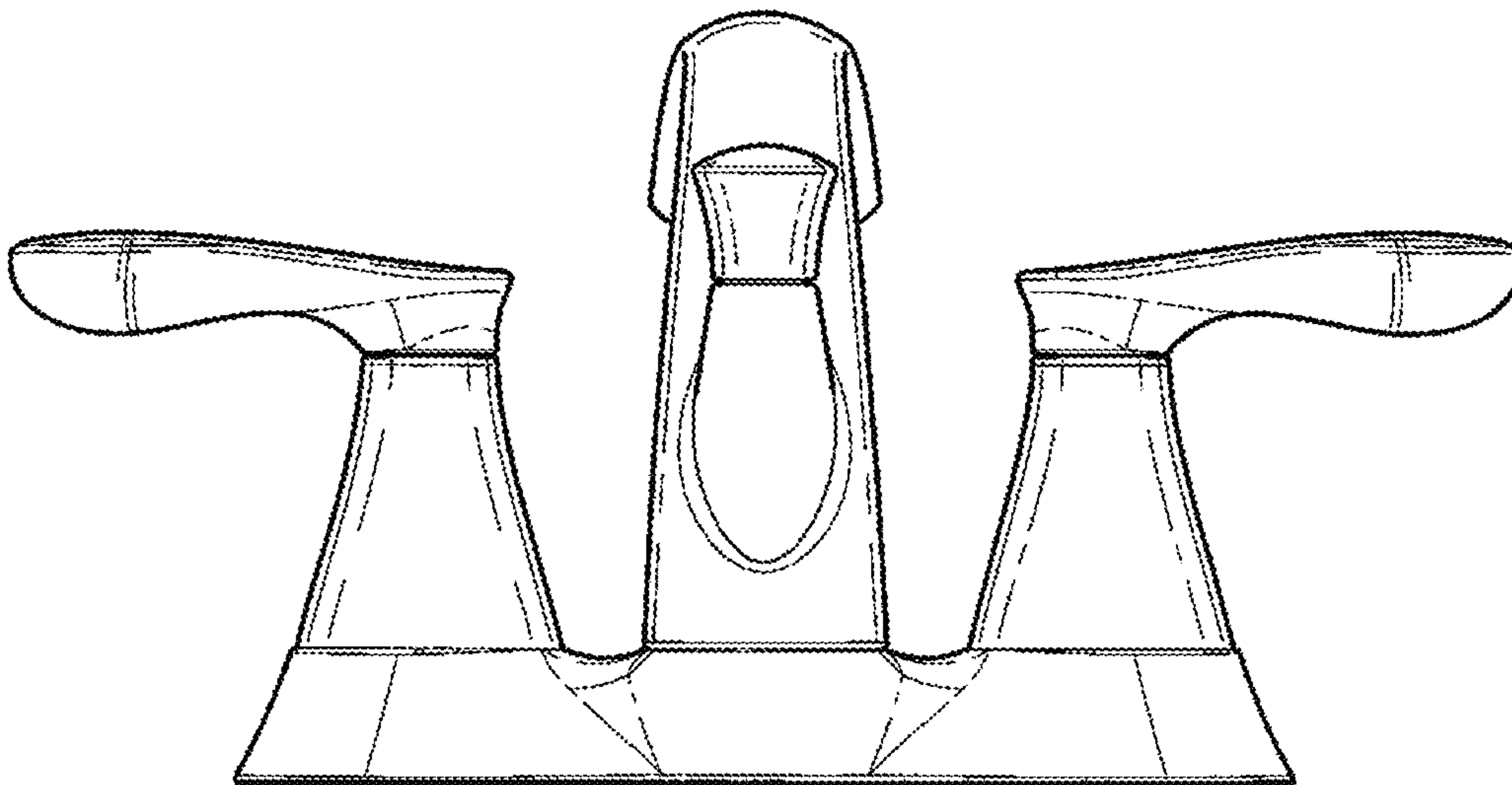


Fig-4

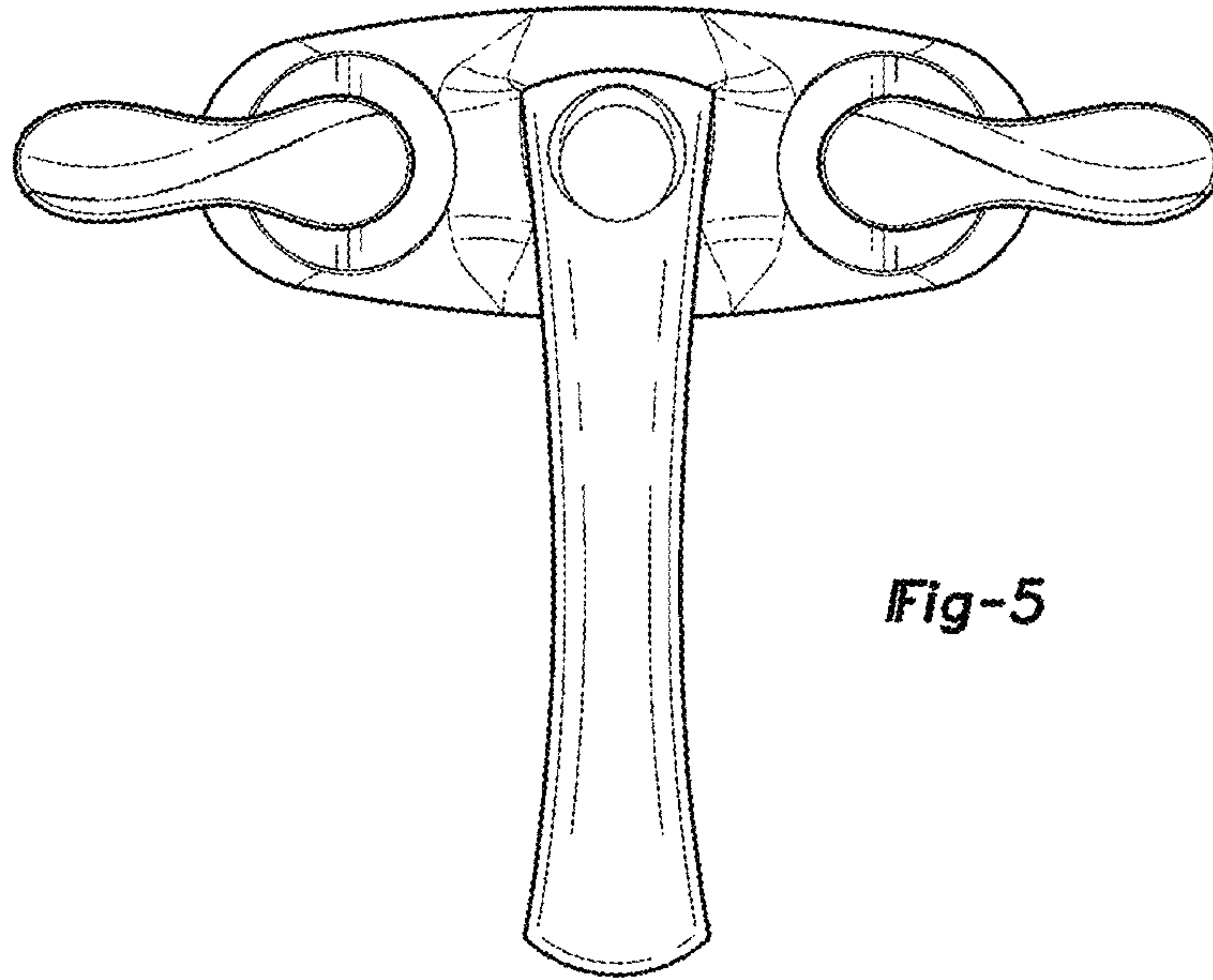


Fig-5

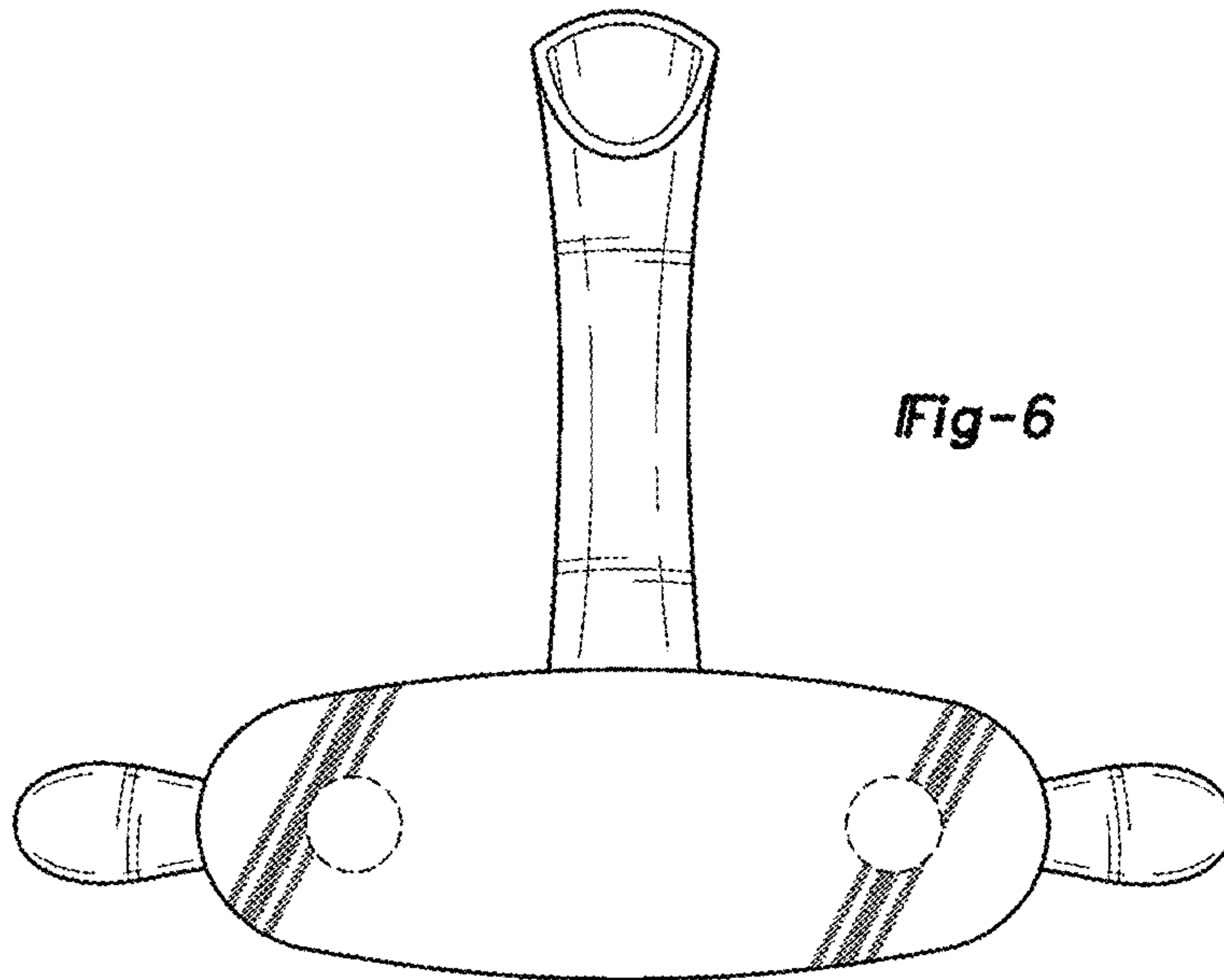


Fig-6