



US00D793534S

(12) **United States Design Patent** (10) **Patent No.:** **US D793,534 S**  
**Fritz** (45) **Date of Patent:** **\*\* Aug. 1, 2017**

(54) **FAUCET**  
(71) Applicant: **DELTA FAUCET COMPANY,**  
Indianapolis, IN (US)  
(72) Inventor: **Seth Fritz,** Carmel, IN (US)  
(73) Assignee: **DELTA FAUCET COMPANY,**  
Indianapolis, IN (US)  
(\*\*) Term: **15 Years**  
(21) Appl. No.: **29/555,249**  
(22) Filed: **Feb. 19, 2016**  
(51) **LOC (10) Cl.** ..... **23-01**  
(52) **U.S. Cl.**  
USPC ..... **D23/242**  
(58) **Field of Classification Search**  
USPC ..... D23/238-243, 249-250, 252, 254-255,  
D23/257; D8/307-308  
CPC . E03C 1/00; E03C 1/0404; E03C 1/02; E03C  
1/021; E03C 1/0401; E03C 1/04; E03C  
1/0402  
See application file for complete search history.

D534,622 S \* 1/2007 Chu ..... D23/238  
D535,725 S \* 1/2007 Chu ..... D23/241  
D564,073 S \* 3/2008 Shieh ..... D23/238  
D579,086 S \* 10/2008 Schonherr ..... D23/252  
D731,623 S \* 6/2015 Flowers ..... D23/252

\* cited by examiner

*Primary Examiner* — Robert Delehanty  
(74) *Attorney, Agent, or Firm* — Edgar A. Zarins; Nirav  
D. Parikh

(57) **CLAIM**

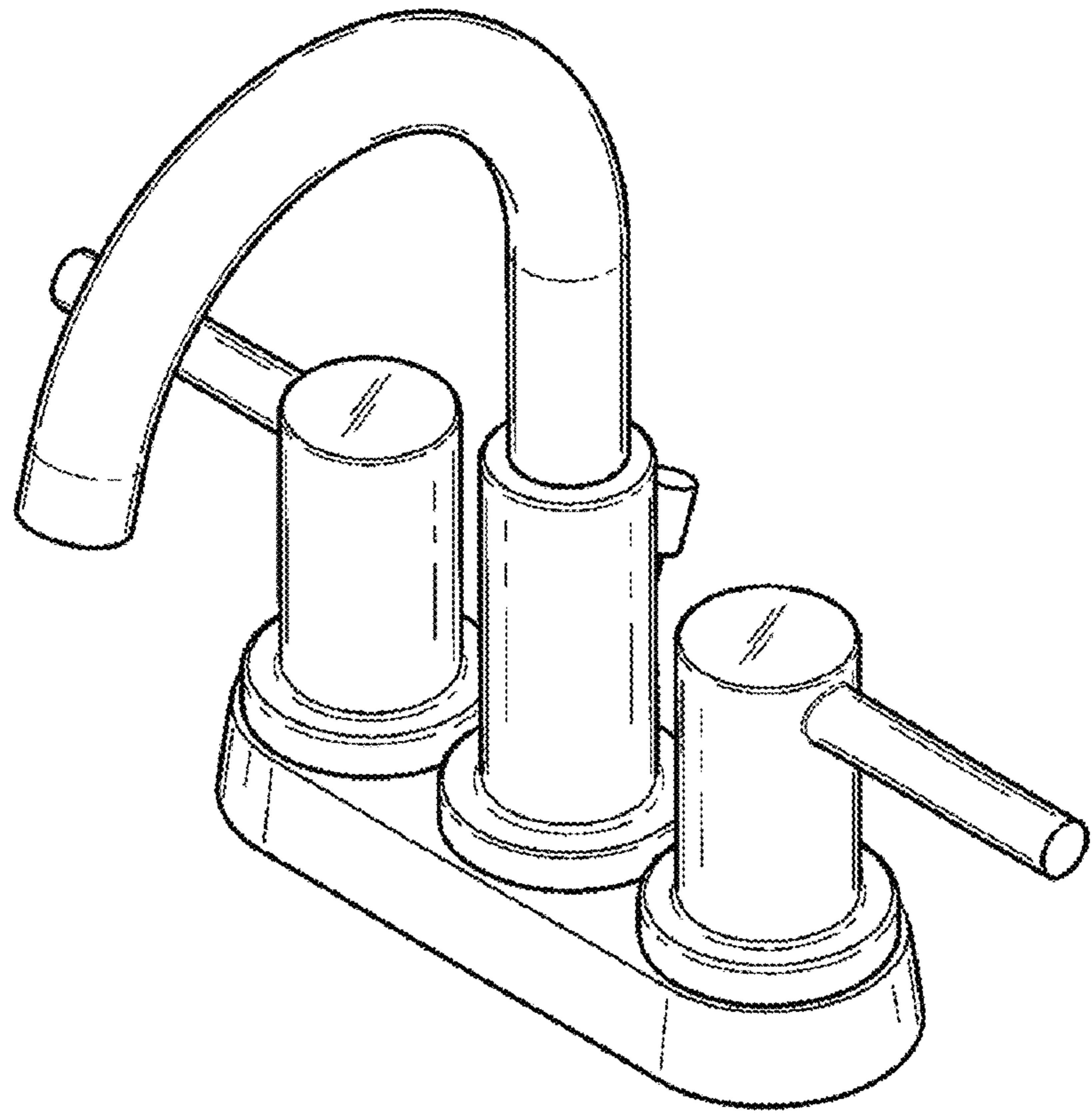
The ornamental design for a faucet, as shown and described.

**DESCRIPTION**

FIG. 1 is a perspective view of a faucet showing my new design;  
FIG. 2 is a front elevational view thereof;  
FIG. 3 is a top plan view thereof;  
FIG. 4 is a right side view thereof, the opposite side being  
a mirror image of the side shown;  
FIG. 5 is a rear view thereof; and,  
FIG. 6 is a bottom view thereof.  
The broken line shown in FIG. 6 of the drawings is included  
for the purpose of illustrating a portion of the faucet that  
forms no part of the claimed design.

(56) **References Cited**  
U.S. PATENT DOCUMENTS  
D461,540 S \* 8/2002 Gottwald ..... D23/243  
6,808,131 B2 \* 10/2004 Bosio ..... E03C 1/04  
239/447

**1 Claim, 3 Drawing Sheets**



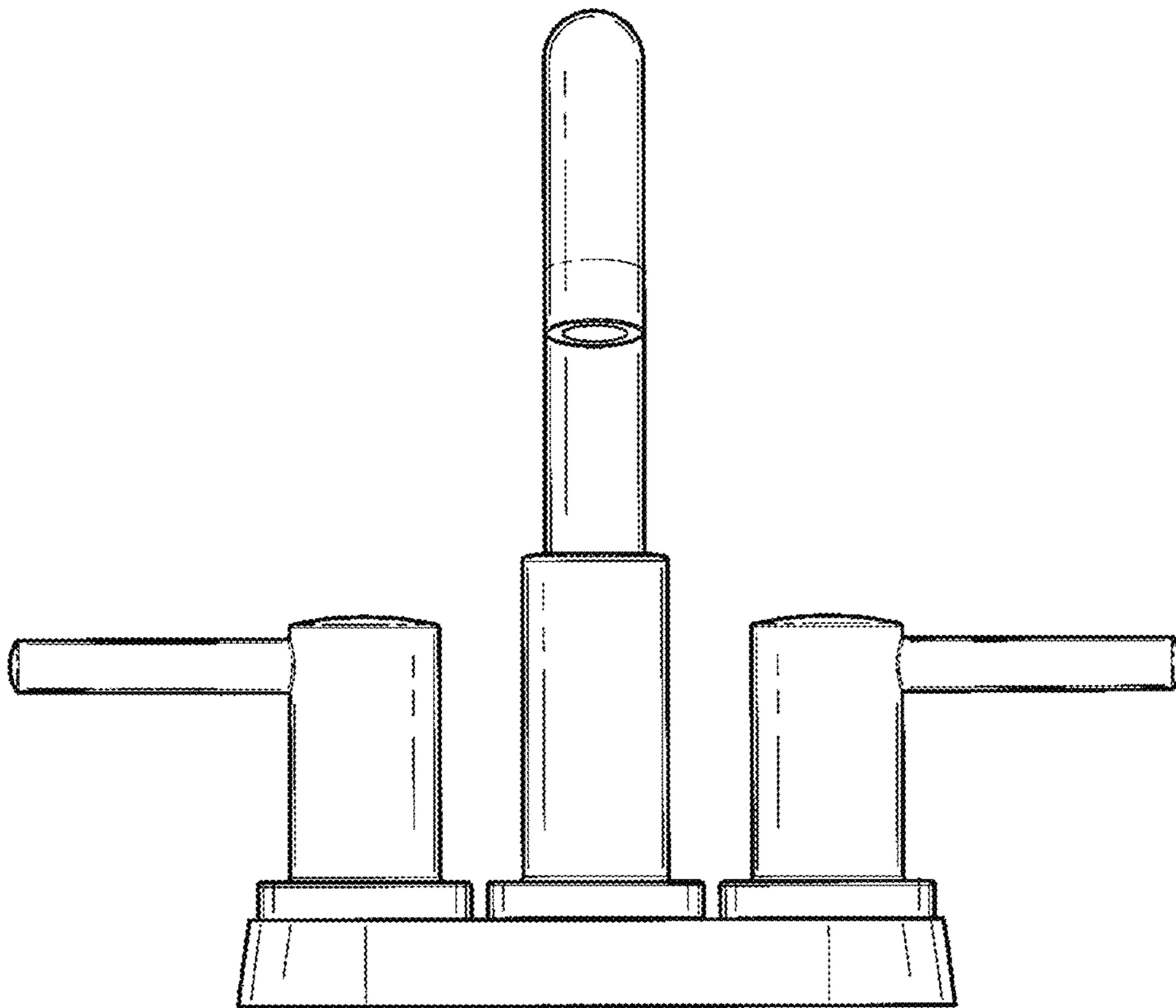
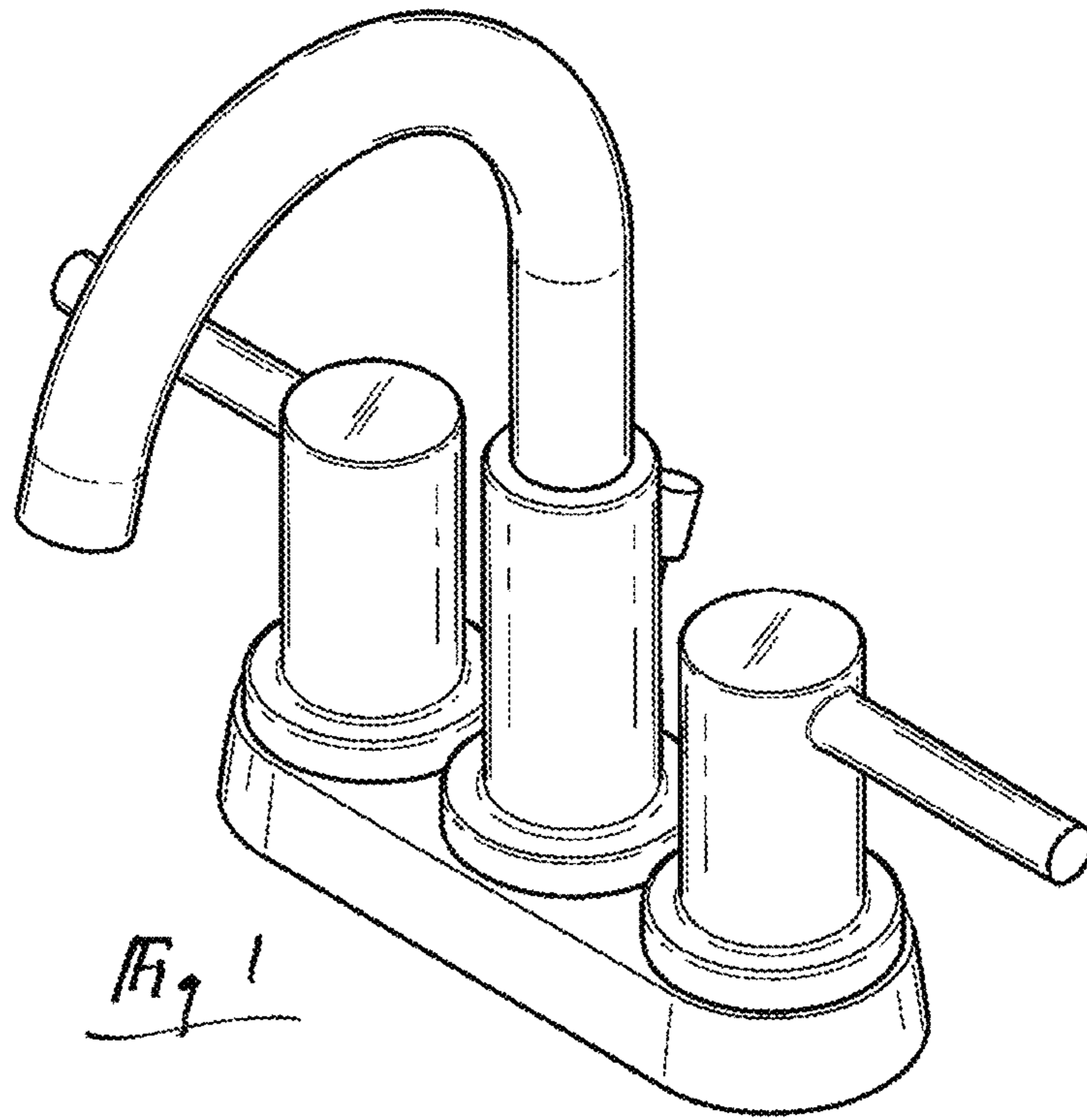


Fig-2

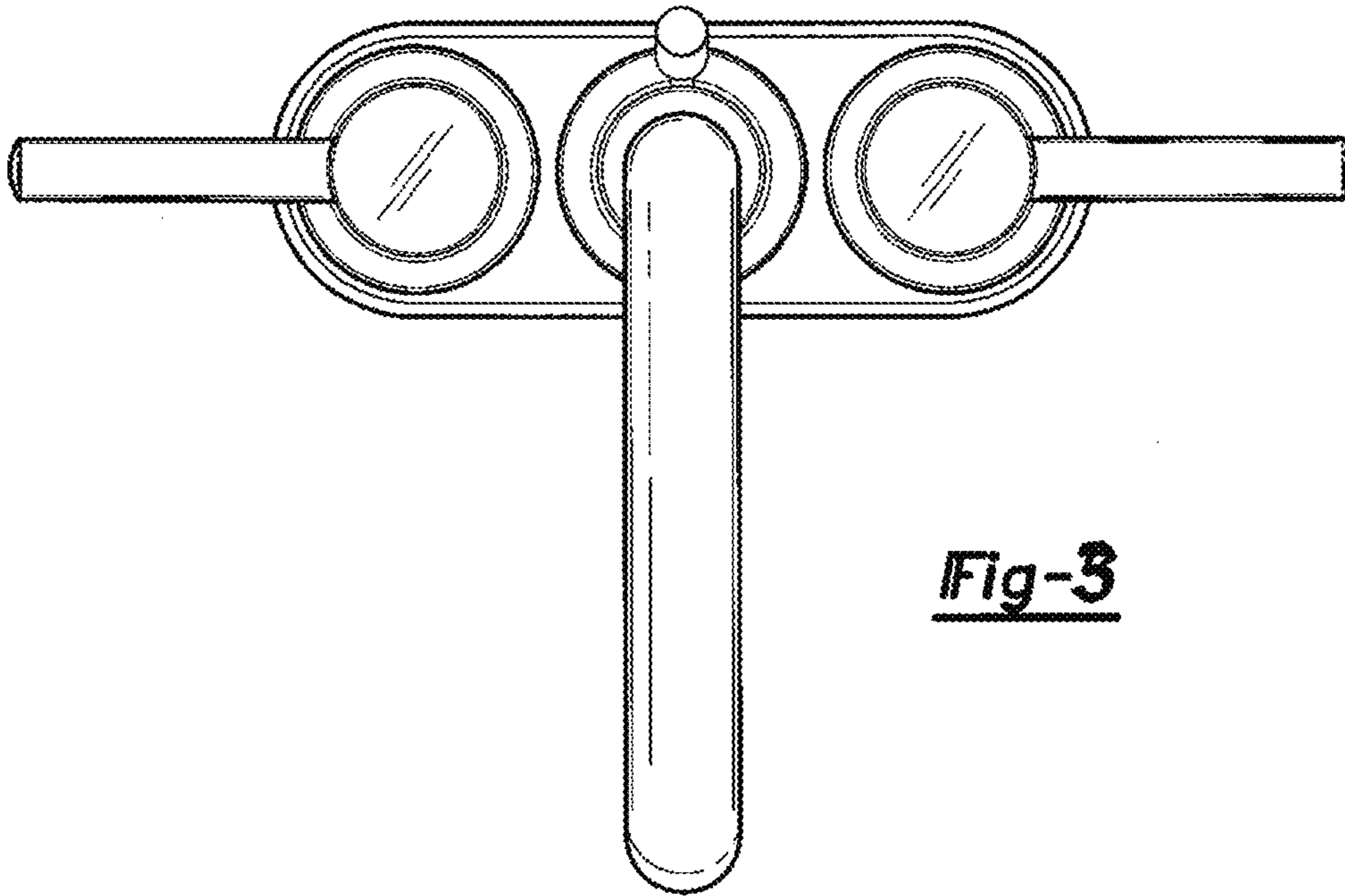


Fig-3

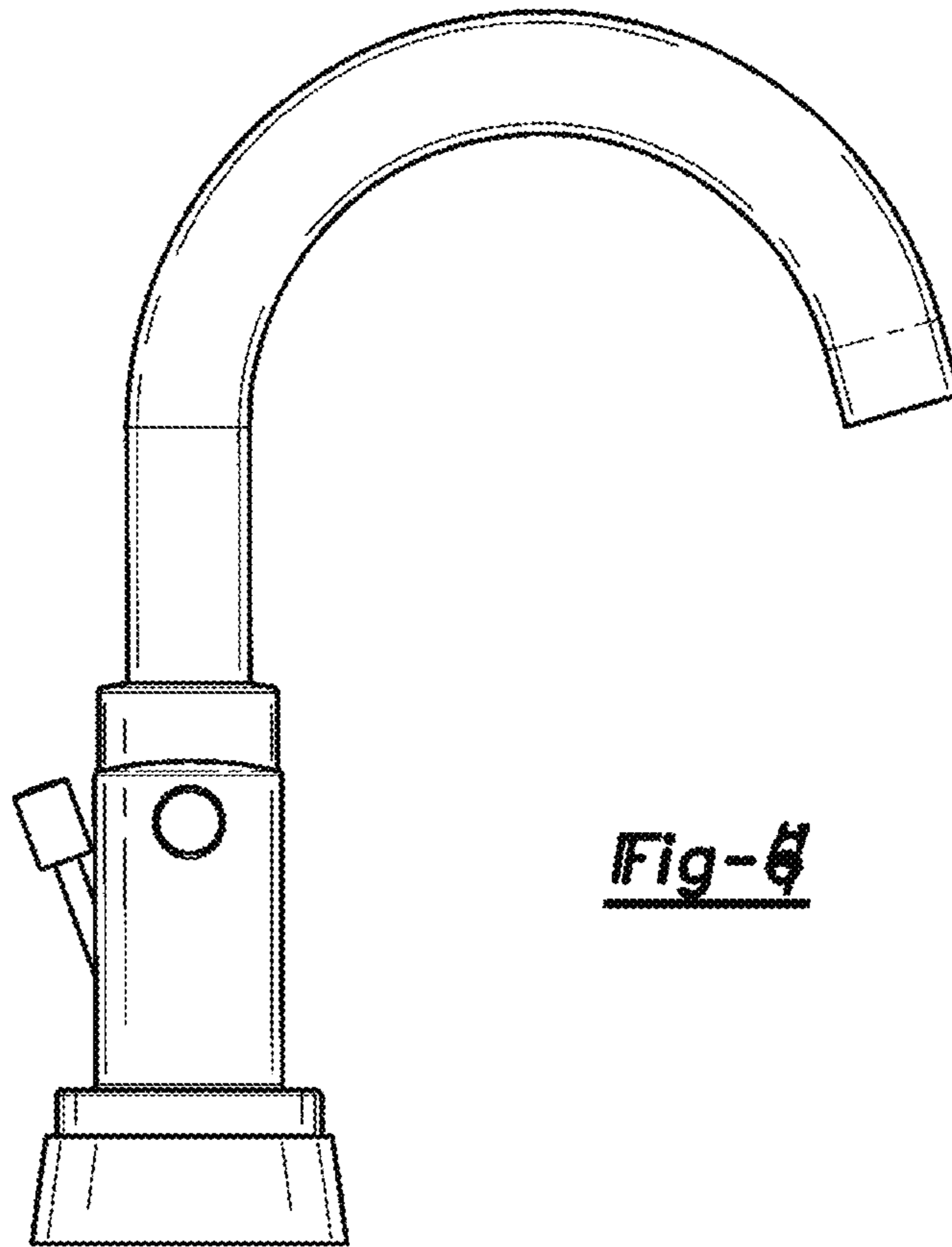


Fig-4

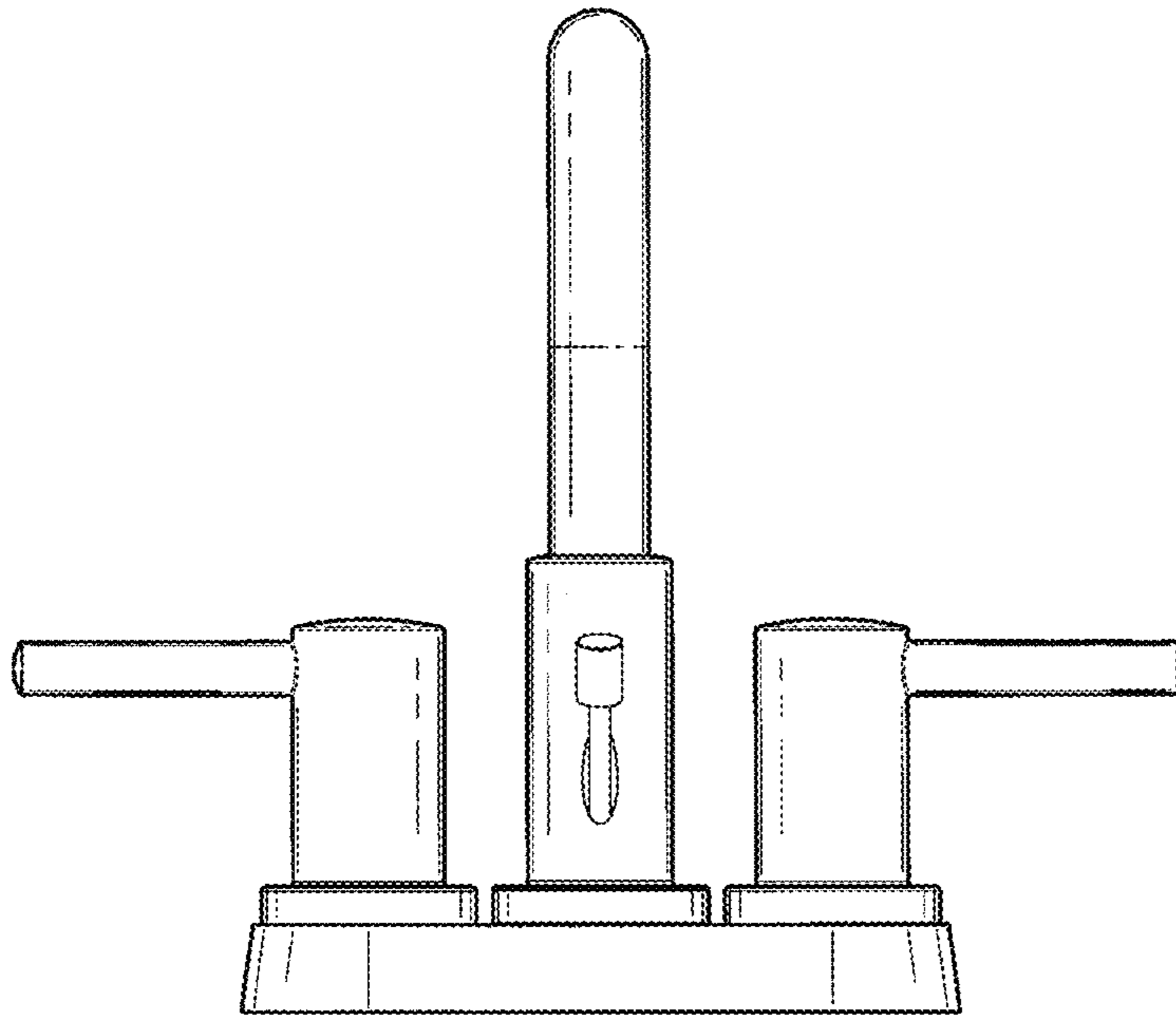


Fig-5

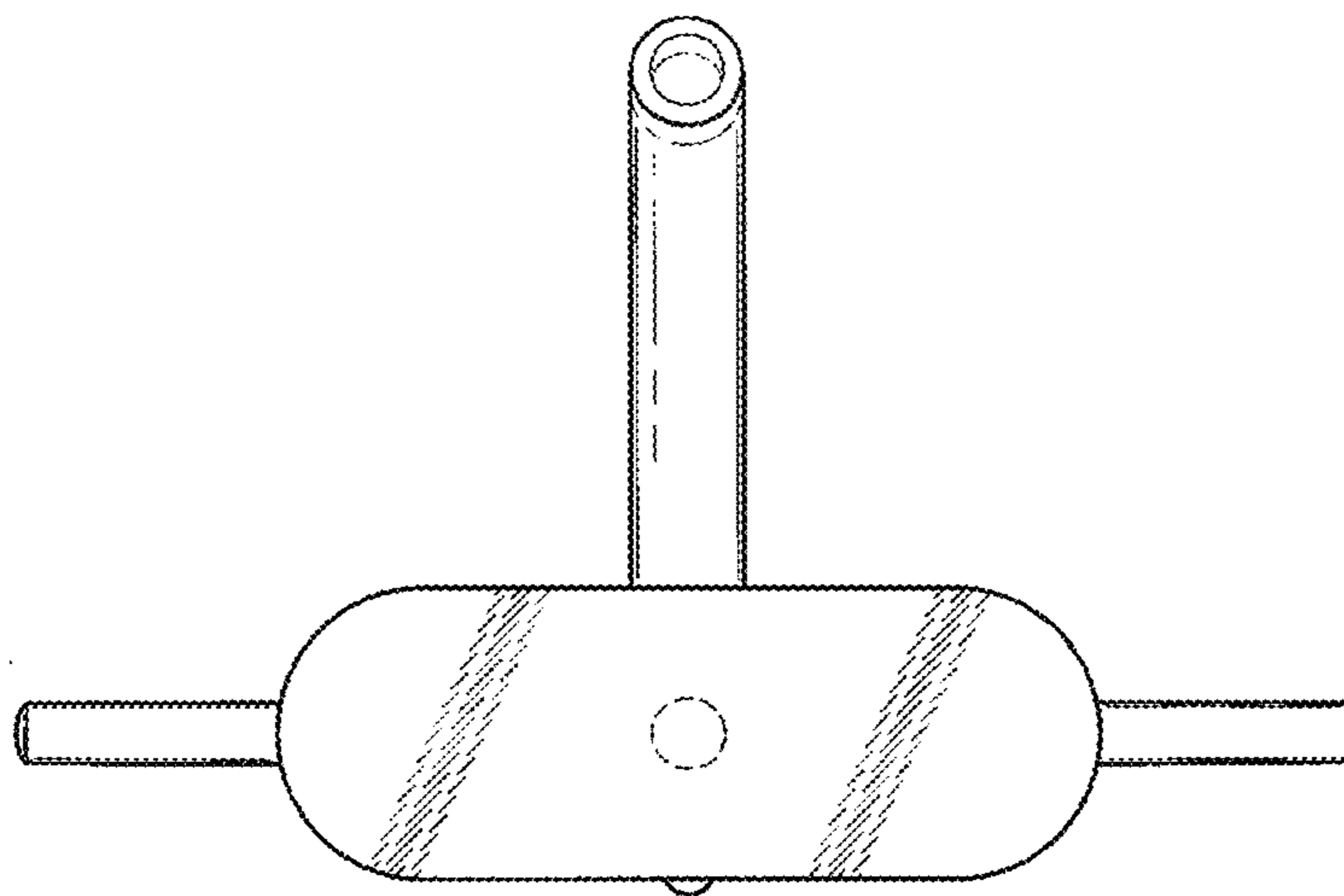


Fig-6