



US00D793531S

(12) **United States Design Patent** (10) **Patent No.:** **US D793,531 S**
Hegdahl et al. (45) **Date of Patent:** **** Aug. 1, 2017**

(54) **SPRAY GUN CUP RECEPTACLE**

2004/0256484 A1 12/2004 Joseph
2005/0092770 A1 5/2005 Yechouron
2012/0291890 A1* 11/2012 Pan B05B 7/2408
137/544

(71) Applicant: **3M INNOVATIVE PROPERTIES COMPANY**, St. Paul, MN (US)

(Continued)

(72) Inventors: **Anna M. Hegdahl**, Brooklyn Park, MN (US); **Stephen C. P. Joseph**, Woodbury, MN (US)

FOREIGN PATENT DOCUMENTS

(73) Assignee: **3M INNOVATIVE PROPERTIES COMPANY**, Saint Paul, MN (US)

CA 2466801 12/2004
NL 1033999 2/2009

(Continued)

(**) Term: **15 Years**

OTHER PUBLICATIONS

(21) Appl. No.: **29/559,104**

Graco, "CanConnect-Handheld 1 Quart Can Adapter," Feb. 2014, 2pgs.

(22) Filed: **Mar. 24, 2016**

(Continued)

(51) **LOC (10) Cl.** **23-01**

Primary Examiner — Robin V Webster

(52) **U.S. Cl.**

Assistant Examiner — Rachel Voorhies

USPC **D23/225**

(74) *Attorney, Agent, or Firm* — Aleksander Medved

(58) **Field of Classification Search**

USPC D23/208, 209, 211, 214, 225; D6/512, D6/551, 556, 672, 680, 680.1

CPC B05B 7/241; B05B 7/2408; B05B 7/2478
See application file for complete search history.

(57) **CLAIM**

The ornamental design for a spray gun cup receptacle, as shown and described.

(56) **References Cited**

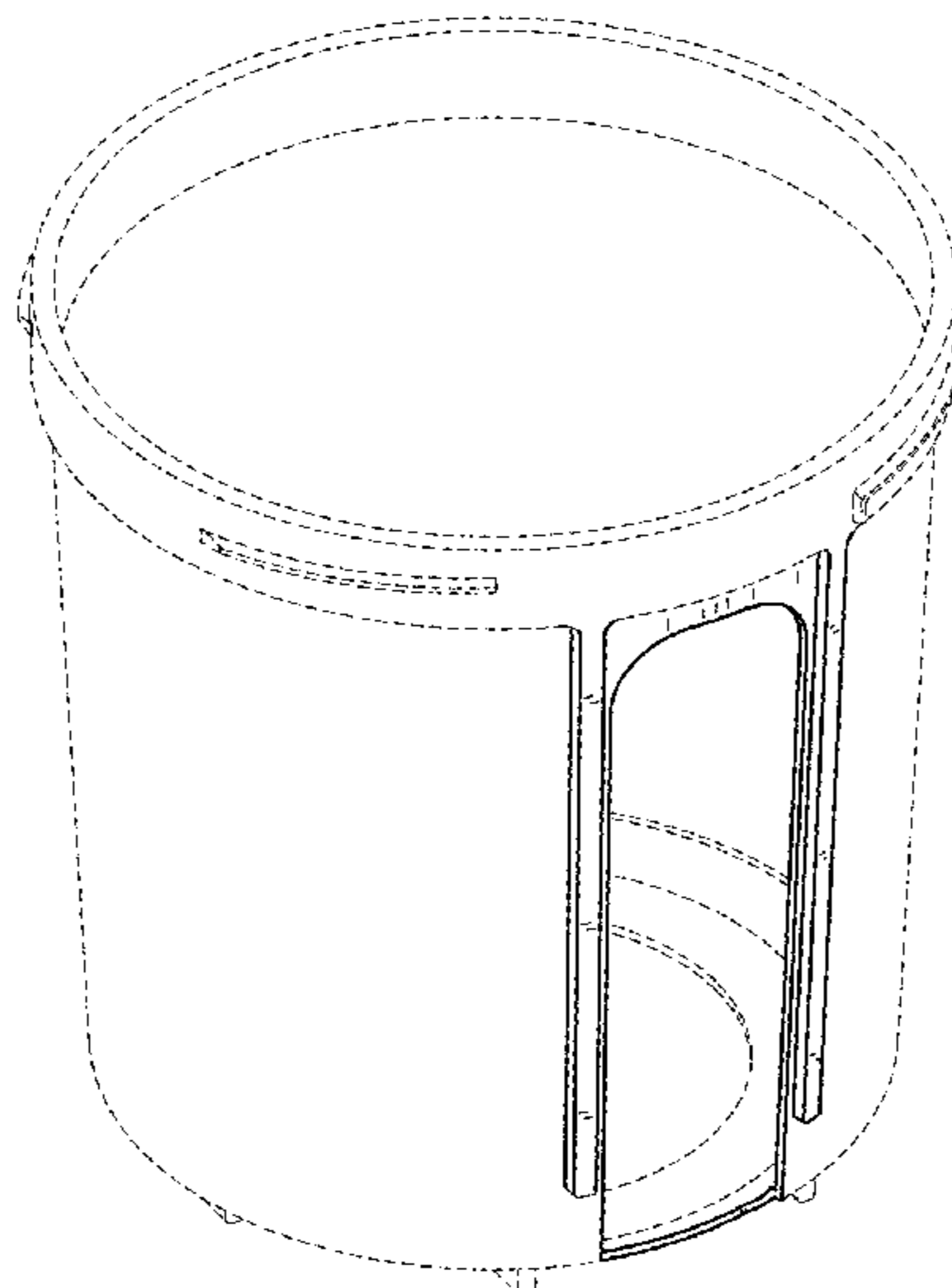
DESCRIPTION

U.S. PATENT DOCUMENTS

- 1,968,173 A * 7/1934 Russell A01M 13/00
239/136
- 7,188,785 B2 3/2007 Joseph
- D607,807 S * 1/2010 Ohlhorst D12/411
- D640,587 S * 6/2011 Tanaka D11/155
- D656,583 S * 3/2012 Hudson, Jr. D23/202
- D679,146 S * 4/2013 Rincon D7/620
- 8,444,067 B2 5/2013 Schmon
- D705,899 S * 5/2014 Abernethy D23/225
- 8,857,649 B2 10/2014 Buchholz
- D739,242 S * 9/2015 Pitera D9/499
- 9,174,231 B2 11/2015 Shultz
- D755,345 S * 5/2016 Luthi D23/209
- D755,575 S * 5/2016 Pratt D7/620
- D779,632 S * 2/2017 Johnson D23/209

FIG. 1 is a perspective view of a spray gun cup receptacle embodying the new design;
FIG. 2 is a front view thereof;
FIG. 3 is a left side view thereof;
FIG. 4 is a right side view thereof;
FIG. 5 is a rear view thereof;
FIG. 6 is a top view thereof;
FIG. 7 is a bottom view thereof; and,
FIG. 8 is a perspective view thereof assembled along with other components of a spray gun cup.
The broken lines show portions of the spray gun cup receptacle that form no part of the claimed design.

1 Claim, 4 Drawing Sheets



(56)

References Cited

U.S. PATENT DOCUMENTS

2013/0105598 A1* 5/2013 Shultz B05B 9/043
239/328
2013/0221130 A1 8/2013 Joseph
2014/0014741 A1* 1/2014 Escoto, Jr. B05B 7/066
239/290
2015/0060568 A1* 3/2015 Johnson B05B 7/02
239/302
2015/0360812 A1* 12/2015 Gerson B01D 29/085
206/459.5
2016/0303594 A1* 10/2016 Nyaribo B05B 7/2408

FOREIGN PATENT DOCUMENTS

WO 98/32539 7/1998
WO 2005/018815 3/2005

OTHER PUBLICATIONS

Graco, "Xforce HD, Heavy Duty Cordless Airless Sprayer Optimized for Protective and Marine Coatings", 2012, 4 pgs.
Kenna, "Eccentricity in Ellipses", Mathematics Magazine, Jan.-Feb. 1959, vol. 32, No. 3, pp. 133-135.
Rummy Recycling Technologies Inc., "Paint & Solvent Solutions" Photograph, scanned in Feb. 2006.
Rummy Recycling Technologies Inc., "Paint & Solvent Solutions" brochure with price list, 2004.

* cited by examiner

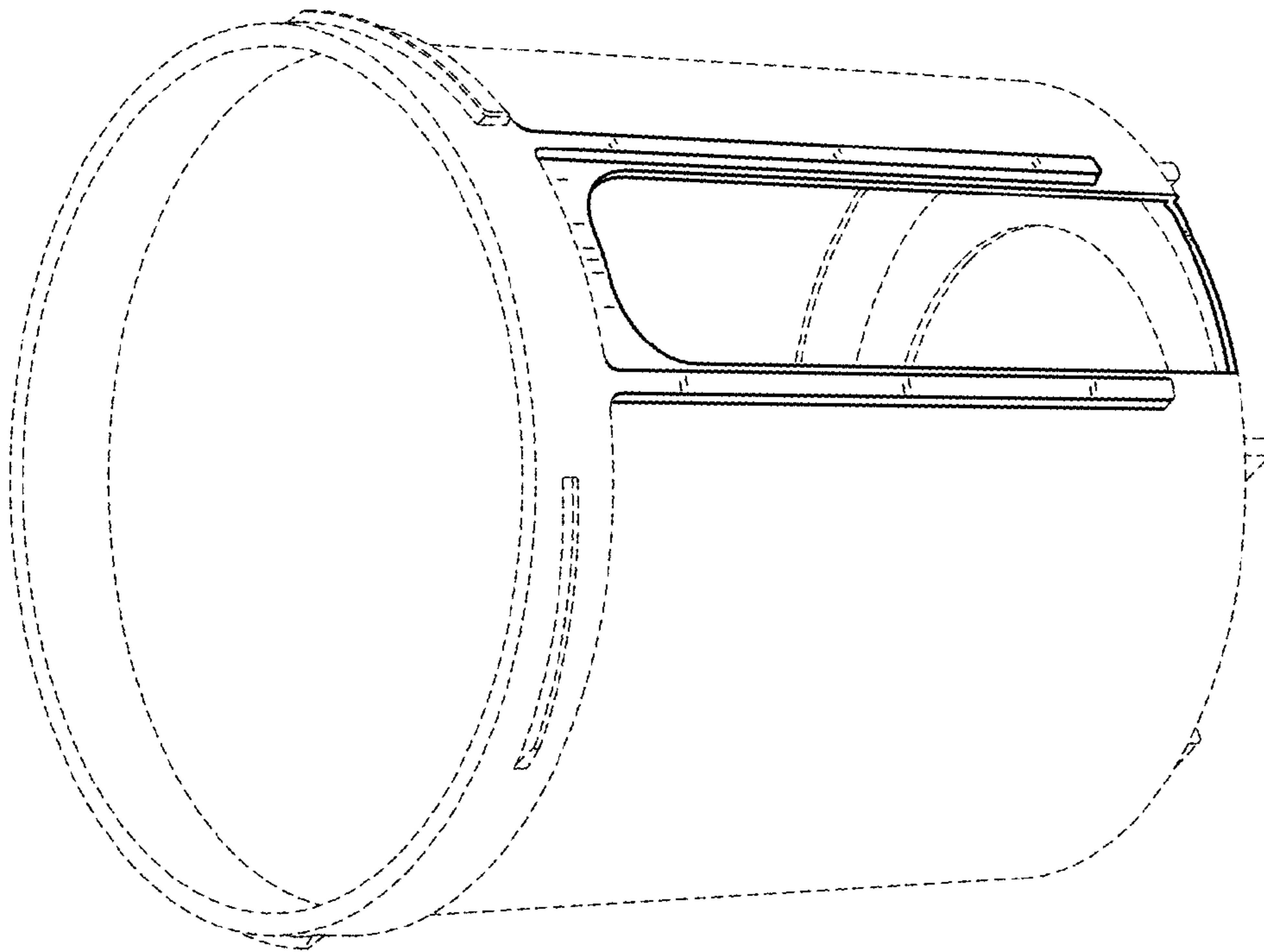


FIG. 1

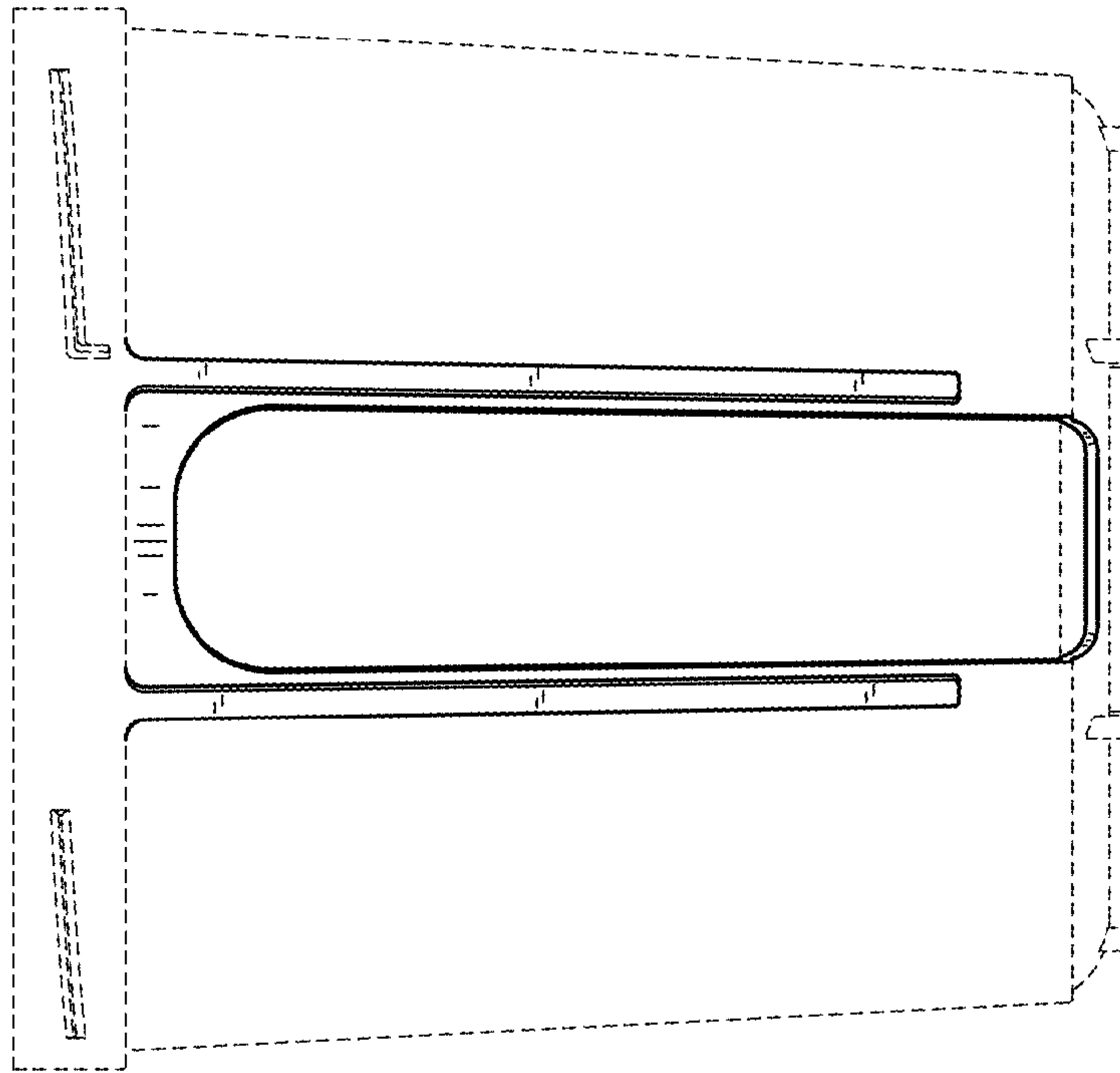


FIG. 2

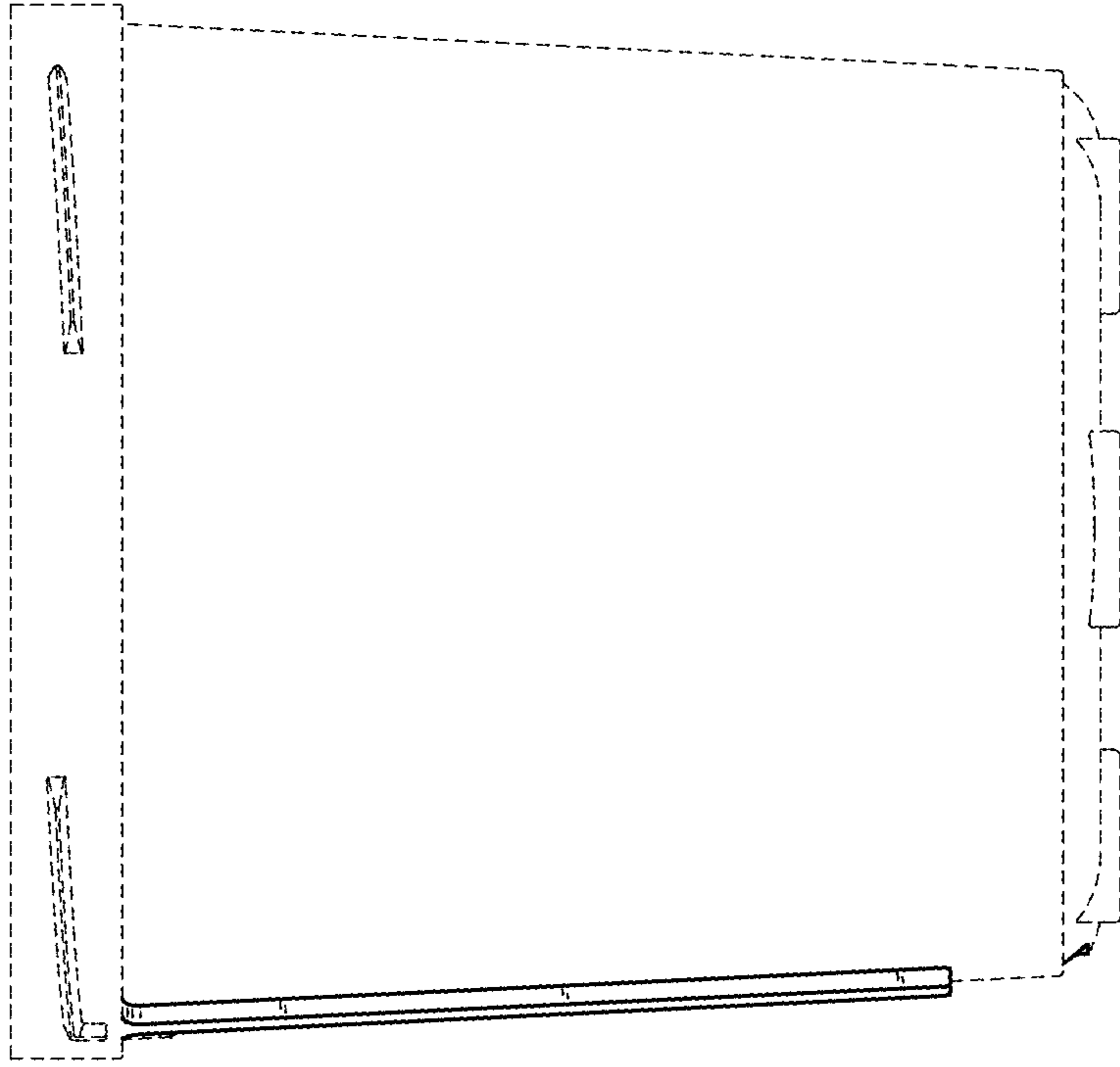


FIG. 4

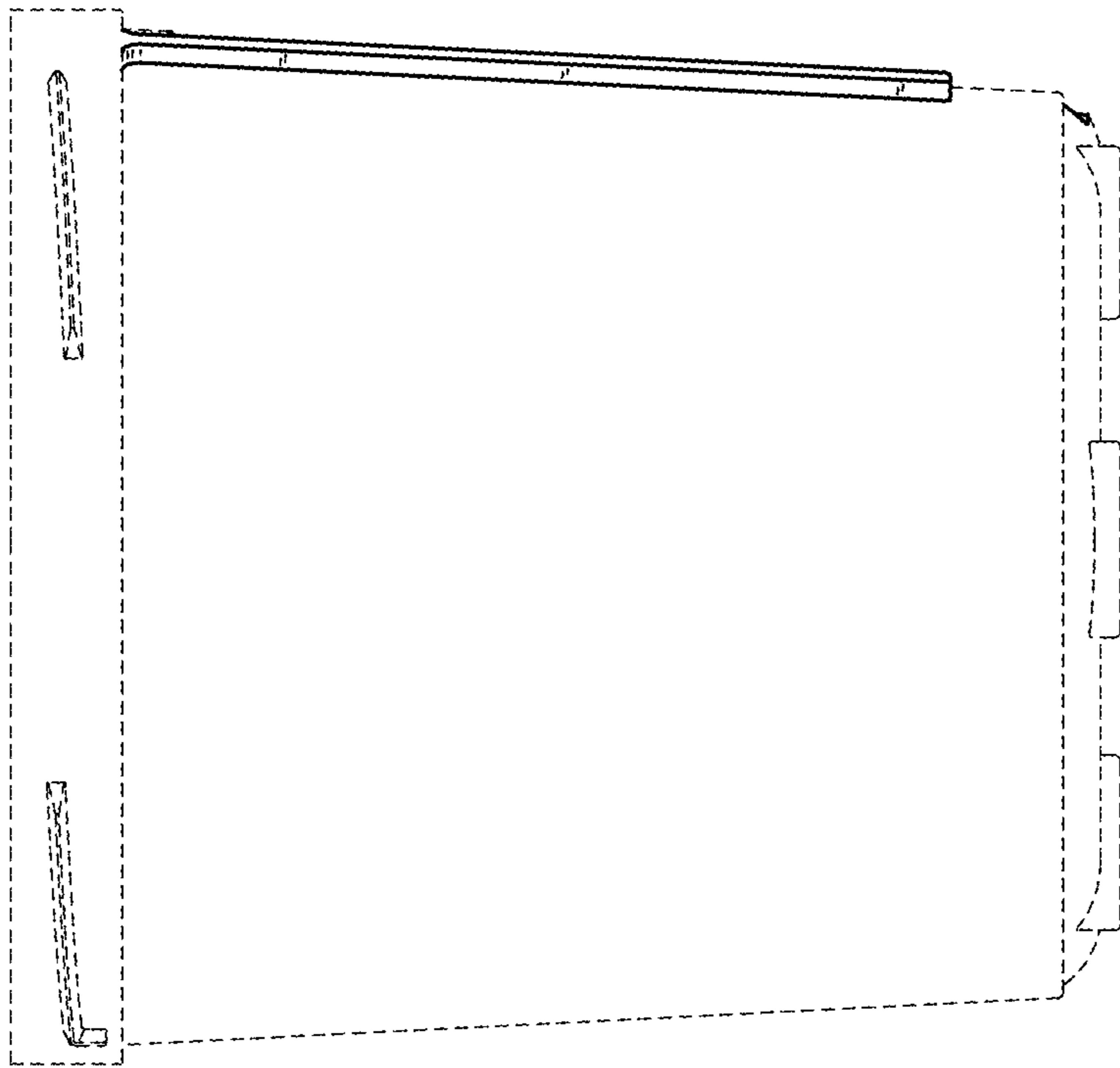


FIG. 3

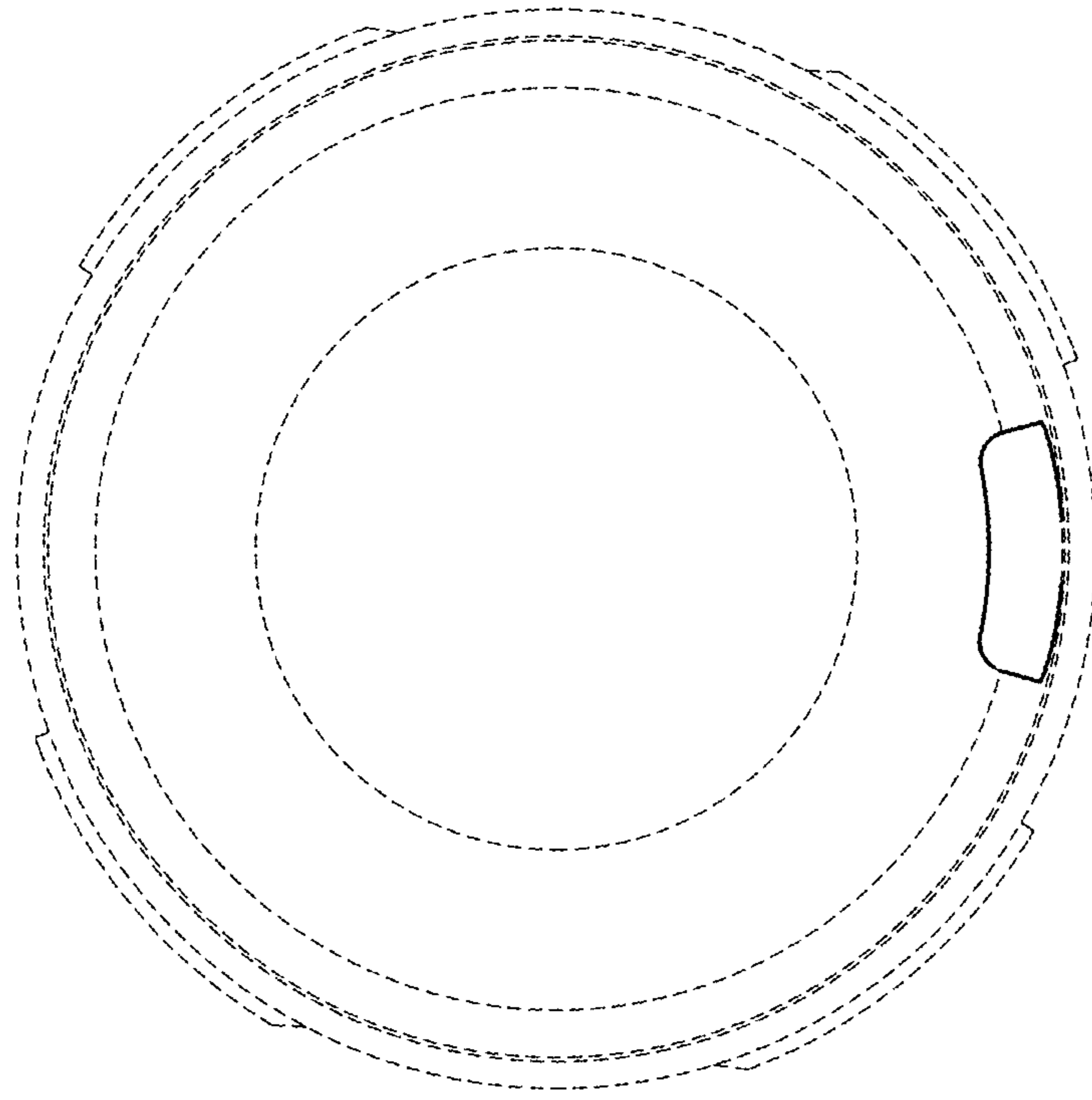


FIG. 6

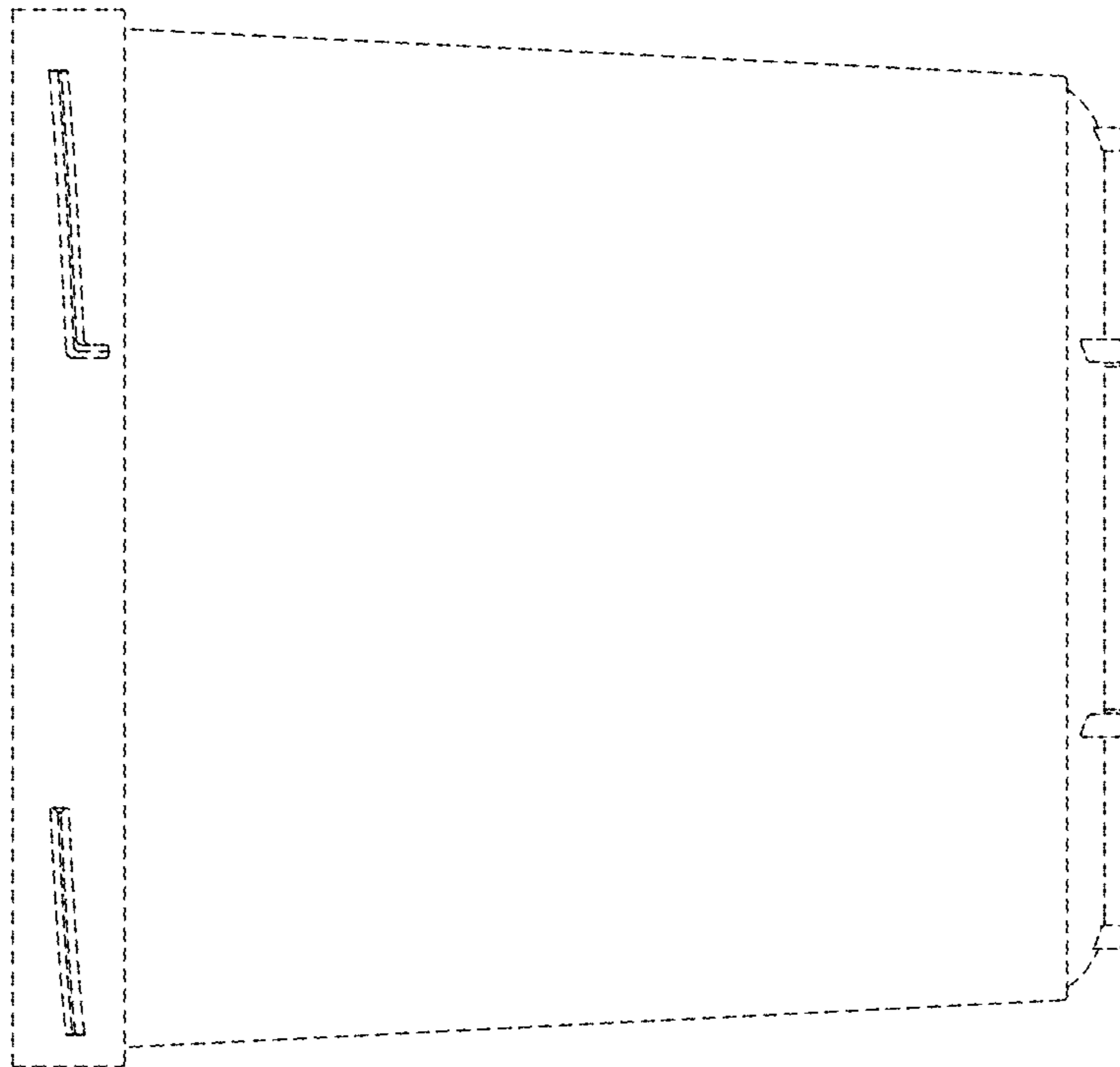


FIG. 5

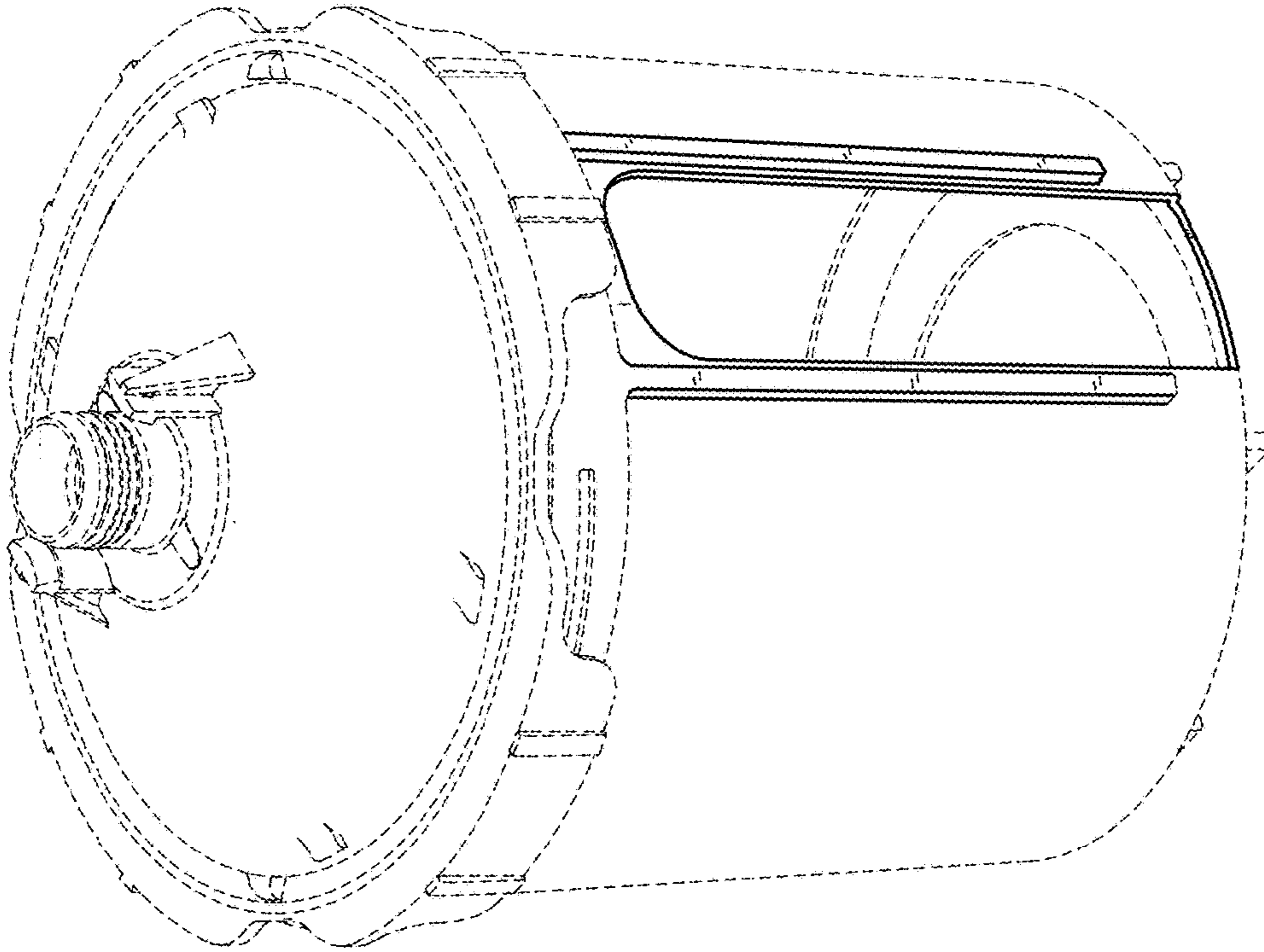


FIG. 8

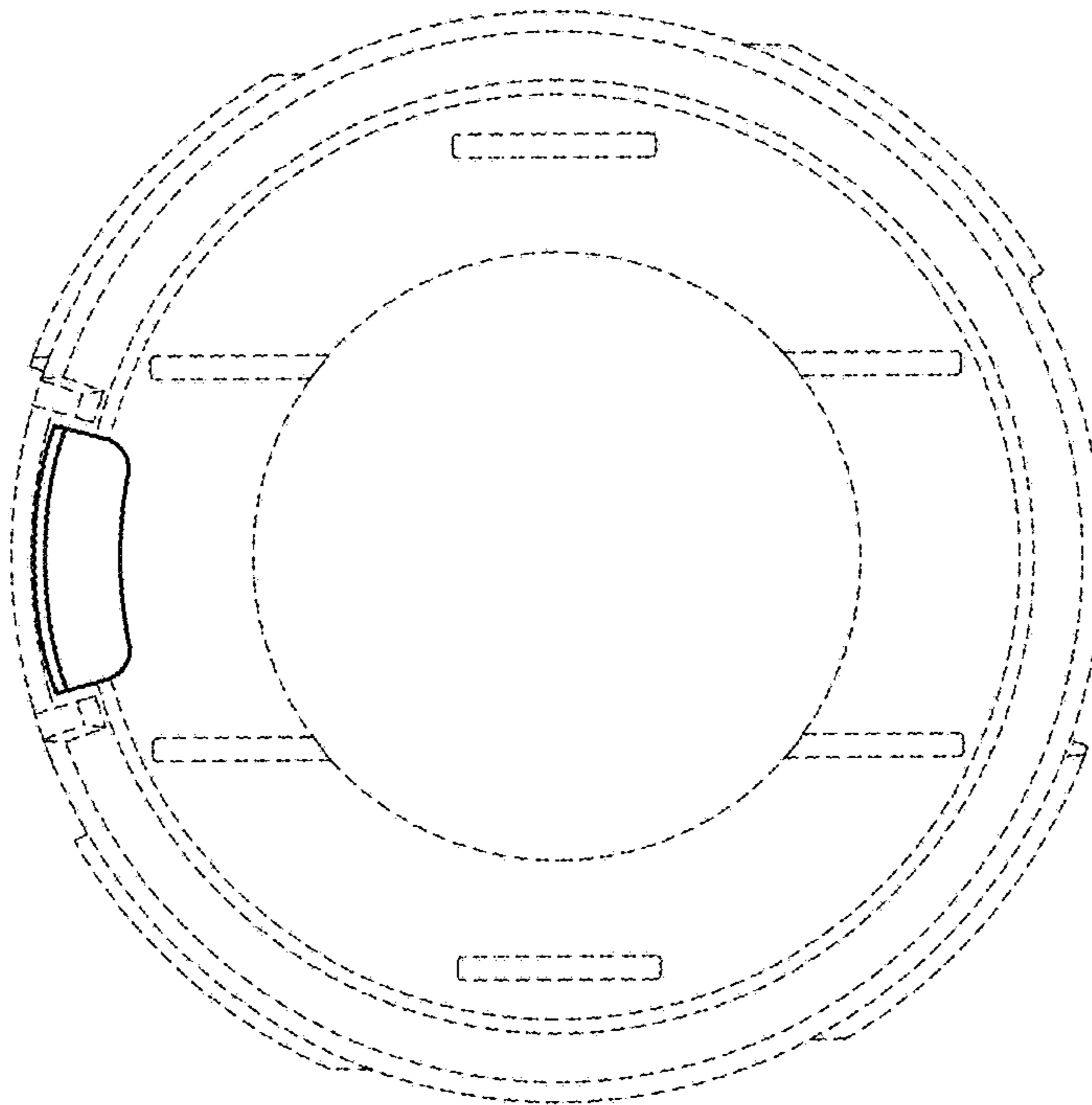


FIG. 7