



US00D793530S

(12) **United States Design Patent** (10) **Patent No.:** **US D793,530 S**
Hegdahl et al. (45) **Date of Patent:** **** Aug. 1, 2017**

(54) **LID FOR SPRAY GUN CUP**

D692,530 S * 10/2013 Gehrung D23/225
D697,583 S * 1/2014 Schmon D23/225
8,857,649 B2 10/2014 Buchholz

(71) Applicant: **3M INNOVATIVE PROPERTIES COMPANY**, St. Paul, MN (US)

(Continued)

(72) Inventors: **Anna M. Hegdahl**, Brooklyn Park, MN (US); **Stephen C. P. Joseph**, Woodbury, MN (US)

FOREIGN PATENT DOCUMENTS

CA 2466801 12/2004
NL 1033999 2/2009

(Continued)

(73) Assignee: **3M INNOVATIVE PROPERTIES COMPANY**, Saint Paul, MN (US)

OTHER PUBLICATIONS

(**) Term: **15 Years**

Graco, "CanConnect—Handheld 1 Quart Can Adapter," Feb. 2014, 2pgs.

(Continued)

(21) Appl. No.: **29/559,096**

(22) Filed: **Mar. 24, 2016**

Primary Examiner — Robin V Webster

(51) **LOC (10) Cl.** **23-01**

Assistant Examiner — Rachel Voorhies

(52) **U.S. Cl.**

(74) *Attorney, Agent, or Firm* — Aleksander Medved

USPC **D23/225**

(58) **Field of Classification Search**

(57) **CLAIM**

USPC D23/213, 223–225, 230, 283, 303
CPC B05B 9/08; B05B 7/2408; B05B 7/2405;
B05B 7/241; B05B 7/2421

The ornamental design for a lid for spray gun cup, as shown and described.

See application file for complete search history.

DESCRIPTION

(56) **References Cited**

FIG. 1 is a perspective view of a lid for spray gun cup embodying the new design;

U.S. PATENT DOCUMENTS

FIG. 2 is a front view thereof;

- 1,395,965 A * 11/1921 McLean B05B 7/0012
222/630
- 2,037,240 A * 4/1936 Johnson B05B 7/2408
292/256.65
- 3,083,883 A * 4/1963 Glidden B05B 7/2408
222/464.1
- D200,960 S * 4/1965 Beinert D23/225
- D217,609 S * 5/1970 Vicknair D23/303
- 3,942,680 A * 3/1976 Seeley B05B 7/2408
220/293
- D474,528 S * 5/2003 Huang D23/225
- 7,188,785 B2 3/2007 Joseph
- D642,863 S * 8/2011 Tobias D7/510
- 8,444,067 B2 5/2013 Schmon

FIG. 3 is a left side view thereof;

FIG. 4 is a top view thereof;

FIG. 5 is a bottom view thereof; and,

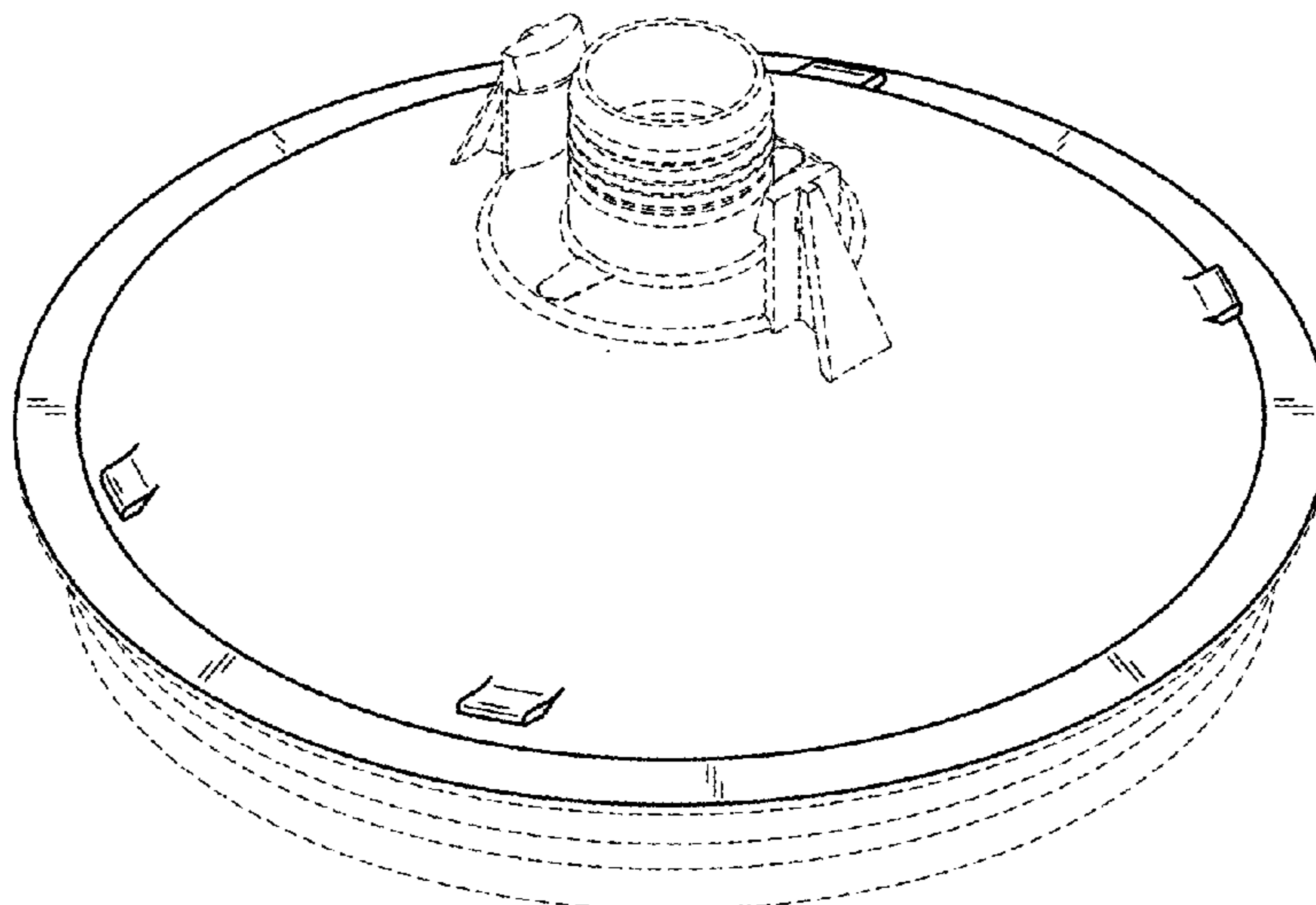
FIG. 6 is a perspective view thereof assembled along with other components of a spray gun cup.

The rear view is a mirror image of the front view and is therefore not shown.

The right side view is a mirror image of the left side view and is therefore not shown.

The broken lines illustrate portions of the lid for spray gun cup which form no part of the claimed design.

1 Claim, 3 Drawing Sheets



(56)

References Cited

U.S. PATENT DOCUMENTS

D717,104 S * 11/2014 Redfern D7/392.1
 D719,637 S * 12/2014 Pagliai D23/225
 9,174,231 B2 11/2015 Shultz
 D747,497 S * 1/2016 Bell D24/220
 D758,533 S * 6/2016 Dettlaff D23/225
 2004/0256484 A1 12/2004 Joseph
 2005/0092770 A1 5/2005 Yechouron
 2006/0196891 A1* 9/2006 Gerson B05B 7/2408
 222/386.5
 2008/0011879 A1* 1/2008 Gerson B05B 7/2408
 239/337
 2008/0223087 A1* 9/2008 Veldman D06F 19/00
 68/171
 2010/0288772 A1* 11/2010 Wambeke B05B 7/2478
 220/373
 2012/0273583 A1* 11/2012 Gerson B05B 7/2408
 239/1
 2013/0153683 A1* 6/2013 Lawrence B05B 7/2408
 239/302
 2013/0221130 A1 8/2013 Joseph
 2014/0103143 A1* 4/2014 Lin B05B 7/2408
 239/379

2014/0203098 A1* 7/2014 Bierie B05B 7/2478
 239/1
 2015/0108135 A1* 4/2015 Hanna B05B 7/2481
 220/495.06
 2016/0052002 A1* 2/2016 Schulz B05B 7/2408
 239/302
 2016/0303594 A1* 10/2016 Nyaribo B05B 7/2408

FOREIGN PATENT DOCUMENTS

WO 98/32539 7/1998
 WO 2005/018815 3/2005

OTHER PUBLICATIONS

Graco, "Xforce HD, Heavy Duty Cordless Airless Sprayer Optimized for Protective and Marine Coatings", 2012, 4 pgs.
 Kenna, "Eccentricity in Ellipses", Mathematics Magazine, Jan.-Feb. 1959, vol. 32, No. 3, pp. 133-135.
 Rummy Recycling Technologies Inc., "Paint & Solvent Solutions" Photograph, scanned in Feb. 2006.
 Rummy Recycling Technologies Inc., "Paint & Solvent Solutions" brochure with price list, 2004.

* cited by examiner

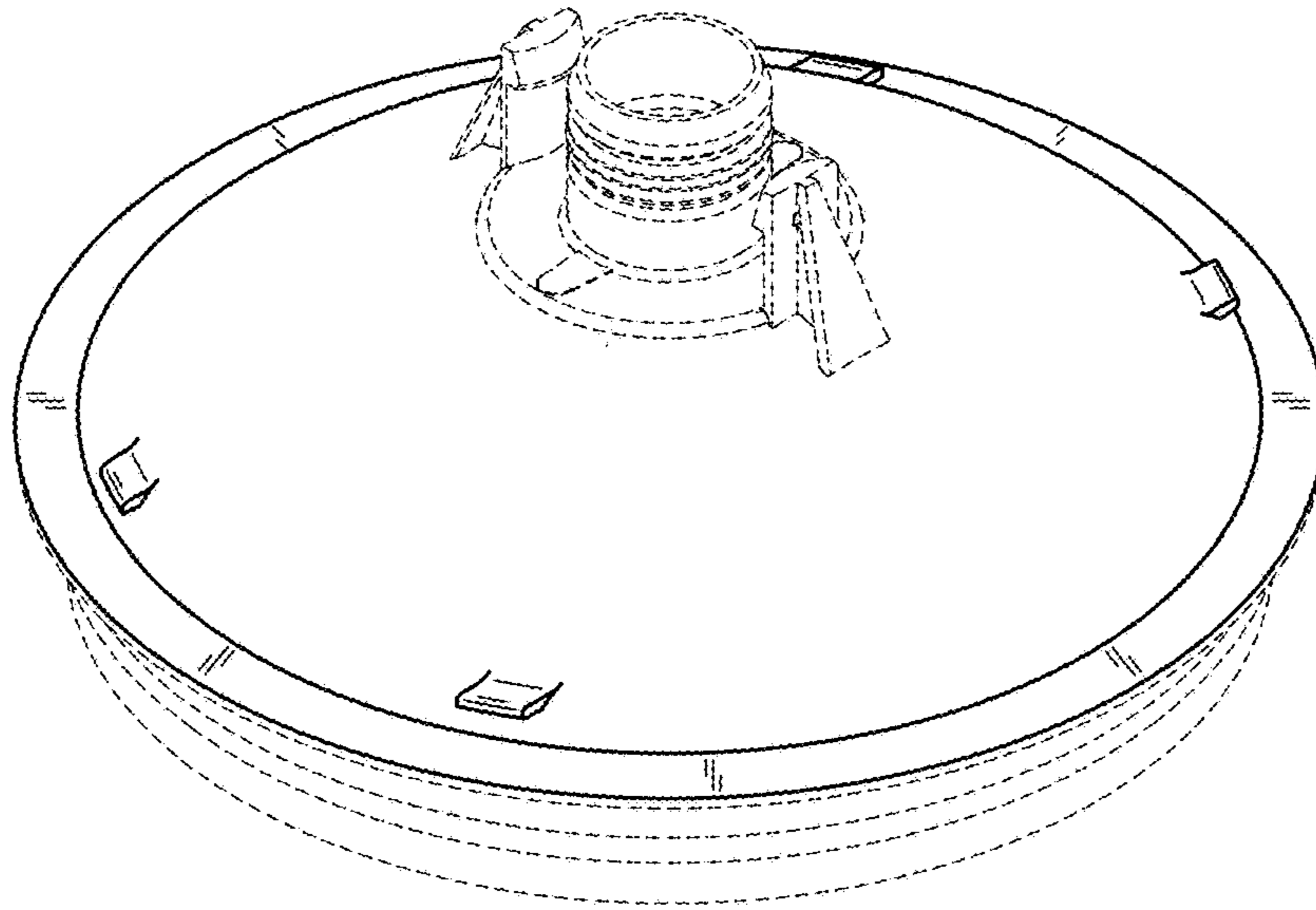


FIG. 1

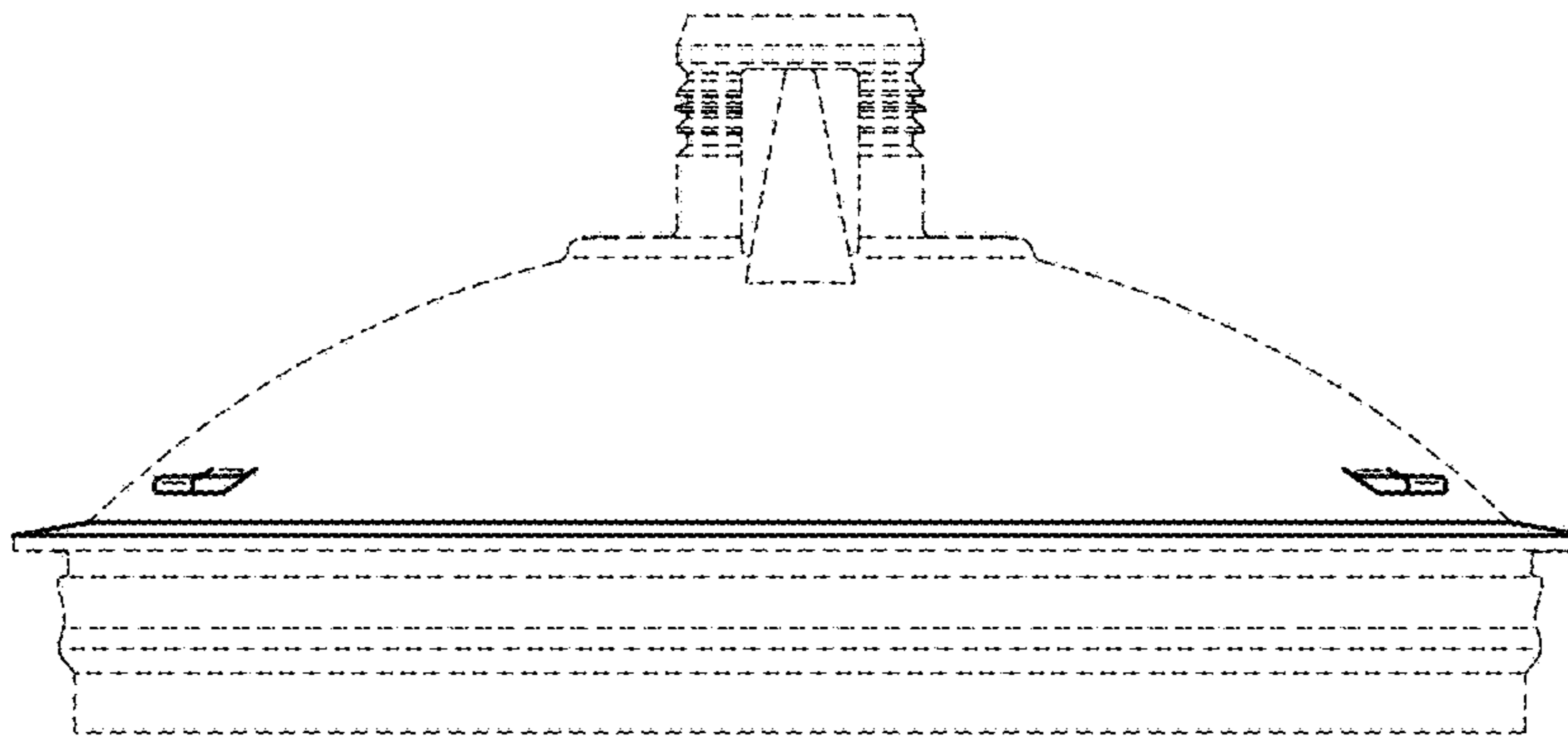


FIG. 2

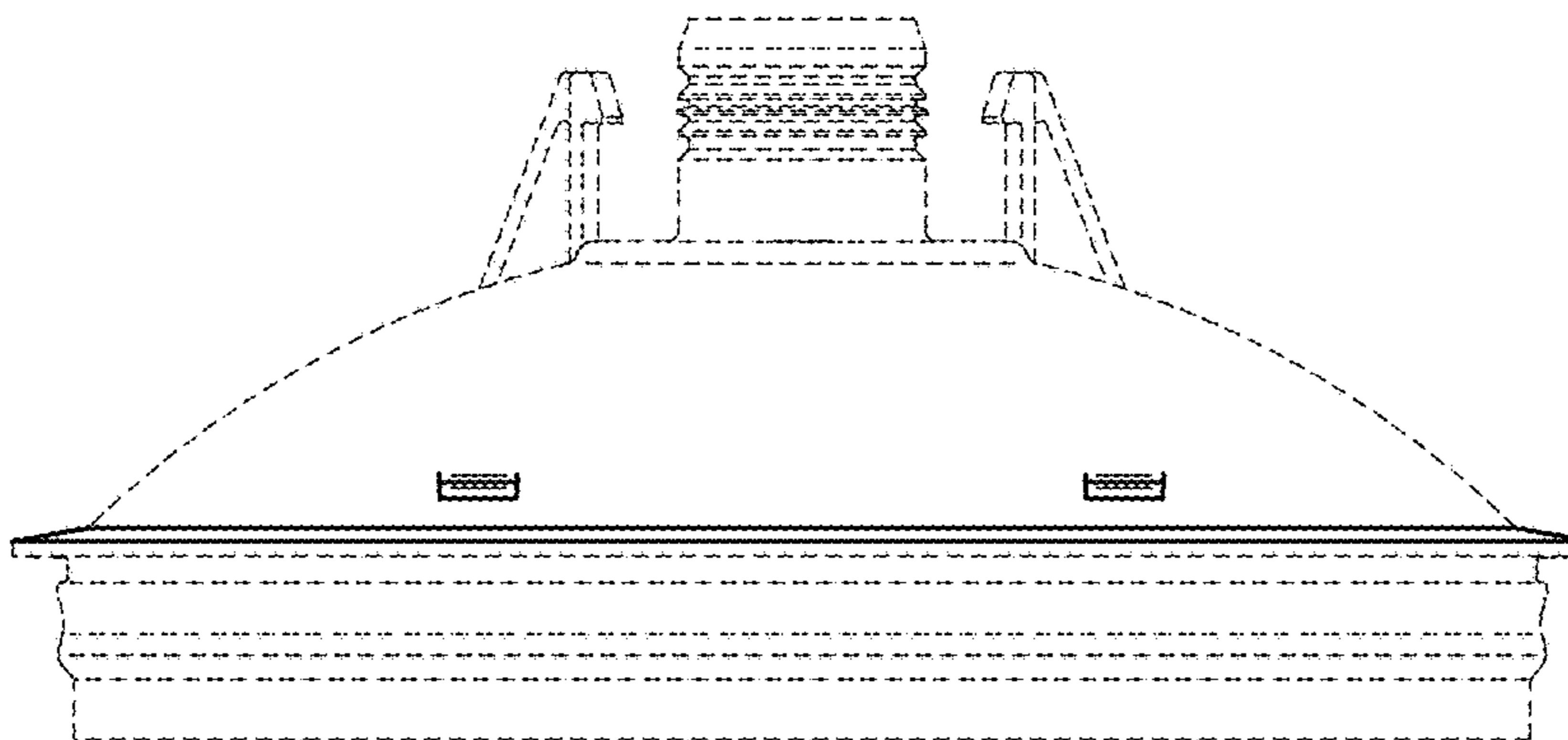


FIG. 3

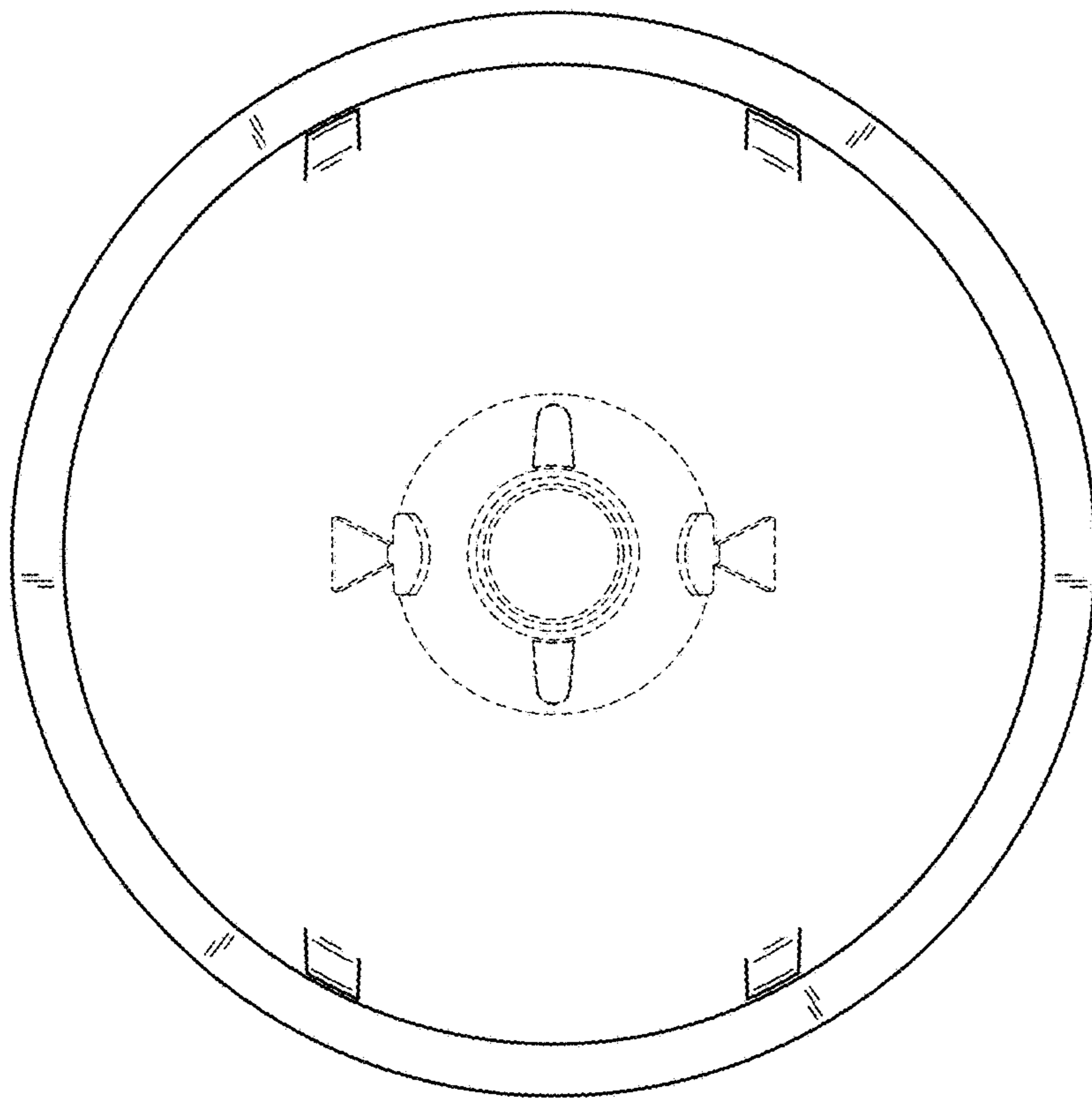


FIG. 4

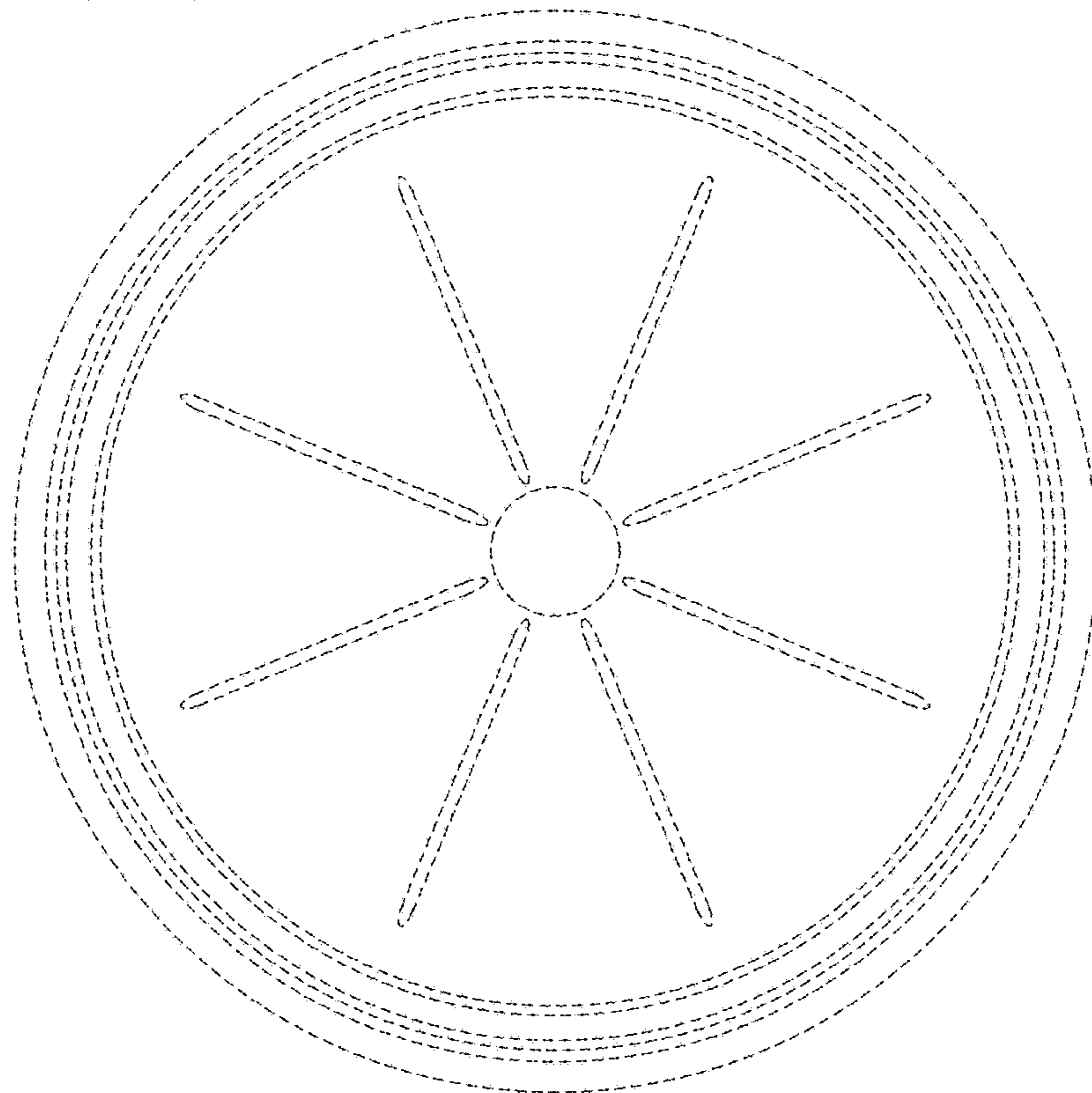


FIG. 5

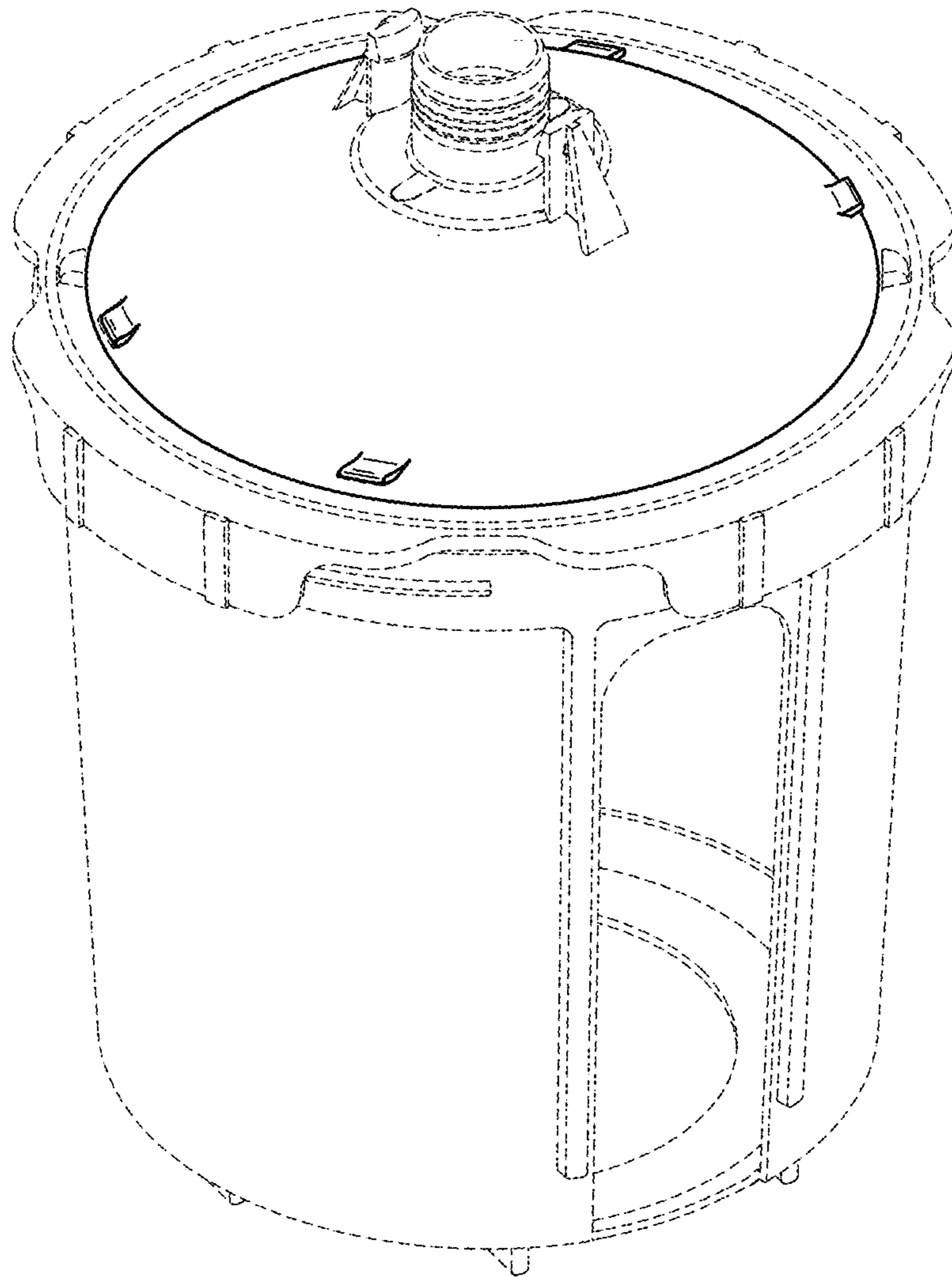


FIG. 6