

US00D793528S

(12) **United States Design Patent**  
**Fuller**

(10) **Patent No.:** **US D793,528 S**

(45) **Date of Patent:** **\*\* Aug. 1, 2017**

(54) **SPRINKLER HEAD PROTECTOR**

(71) Applicant: **Curtis Fuller**, Deltona, FL (US)

(72) Inventor: **Curtis Fuller**, Deltona, FL (US)

(\*\*) Term: **15 Years**

(21) Appl. No.: **29/560,210**

(22) Filed: **Apr. 4, 2016**

(51) **LOC (10) Cl.** ..... **23-01**

(52) **U.S. Cl.**  
USPC ..... **D23/214**

(58) **Field of Classification Search**  
USPC ..... D23/208, 209, 211, 214, 225; D6/512,  
D6/551, 556, 672, 680, 680.1  
CPC ..... B05B 15/001  
See application file for complete search history.

(56) **References Cited**

**U.S. PATENT DOCUMENTS**

|           |      |         |                |                        |
|-----------|------|---------|----------------|------------------------|
| 3,727,695 | A    | 4/1973  | Danton         |                        |
| 4,747,366 | A    | 5/1988  | Walker         |                        |
| D386,137  | S *  | 11/1997 | Bailey         | D12/194                |
| D388,502  | S *  | 12/1997 | Kah, III       | D23/214                |
| 5,743,337 | A    | 4/1998  | MacDonald, III |                        |
| 5,918,814 | A *  | 7/1999  | Hough          | B05B 15/001<br>239/276 |
| 5,996,447 | A    | 12/1999 | Bayouth        |                        |
| 6,131,822 | A    | 10/2000 | Farmer, Jr.    |                        |
| 7,055,614 | B1   | 6/2006  | Ide            |                        |
| D632,759  | S *  | 2/2011  | Chen           | D23/209                |
| 8,074,897 | B2 * | 12/2011 | Hunnicut       | B05B 3/003<br>239/204  |

|              |      |        |              |                       |
|--------------|------|--------|--------------|-----------------------|
| D683,425     | S *  | 5/2013 | Koiwa        | D23/214               |
| 8,707,985    | B2   | 4/2014 | Goss         |                       |
| D721,418     | S *  | 1/2015 | Koiwa        | D23/214               |
| D721,419     | S *  | 1/2015 | Koiwa        | D23/214               |
| 8,925,837    | B2 * | 1/2015 | Walker       | B05B 1/304<br>239/224 |
| D736,345     | S *  | 8/2015 | Robbins      | D23/209               |
| 9,534,778    | B1 * | 1/2017 | Donley, Jr.  | F21V 33/006           |
| 2004/0134670 | A1   | 7/2004 | Orr et al.   |                       |
| 2008/0197133 | A1   | 8/2008 | McKay et al. |                       |

\* cited by examiner

*Primary Examiner* — Robin V Webster

*Assistant Examiner* — Rachel Voorhies

(74) *Attorney, Agent, or Firm* — Robert C. Montgomery;  
Montgomery Patent & Design, LP.

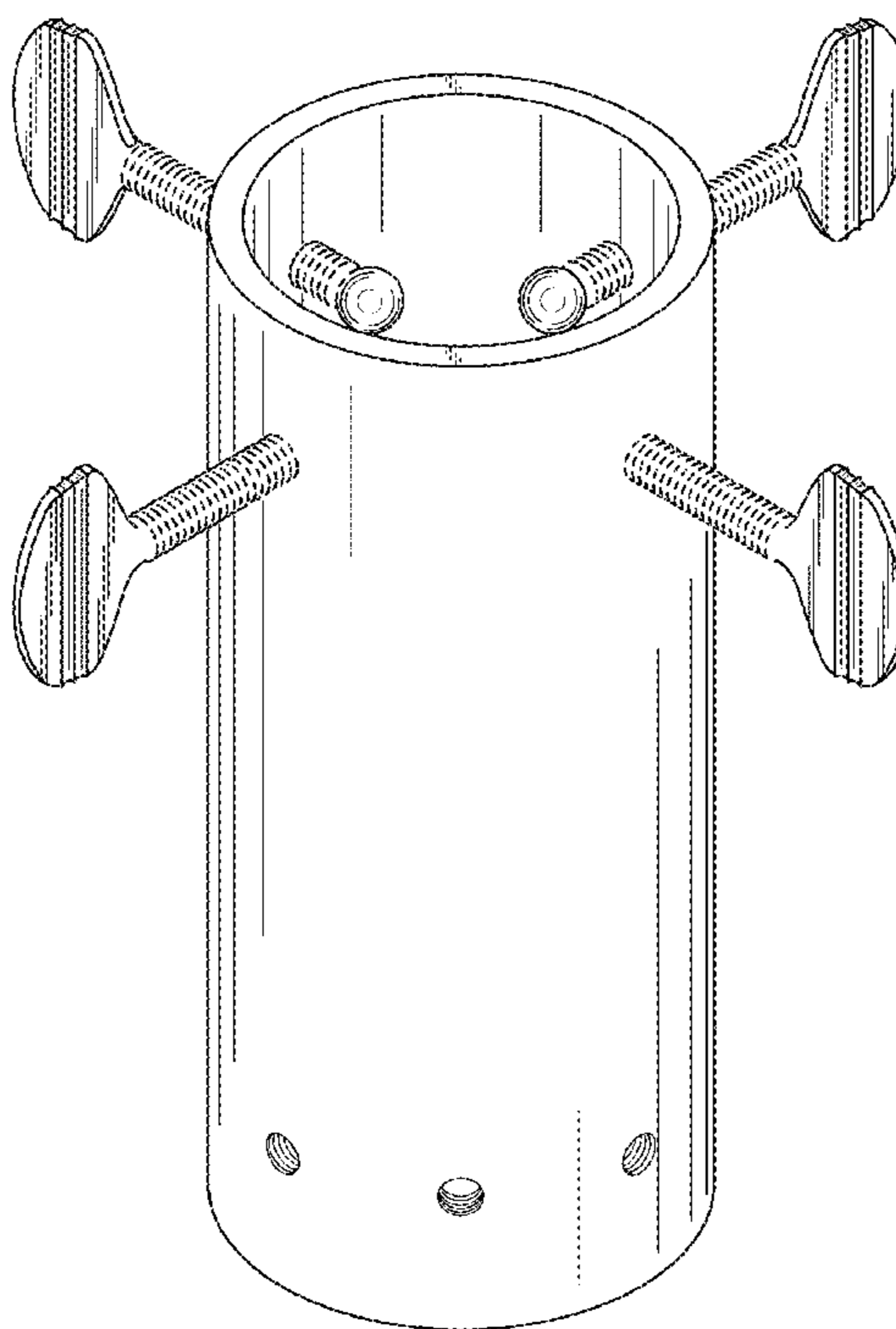
(57) **CLAIM**

The ornamental design for a sprinkler head protector, as shown and described.

**DESCRIPTION**

FIG. 1 is a perspective front side view of a sprinkler head protector, showing my new design; FIG. 2 is a front side elevation view, with the back side elevation view, left side elevation view and right side elevation view being a mirror image thereof; FIG. 3 is a top side plan view thereof; and, FIG. 4 is a bottom side plan view thereof. The broken lines illustrate portions of the sprinkler head protector that form no part of the claimed design.

**1 Claim, 4 Drawing Sheets**



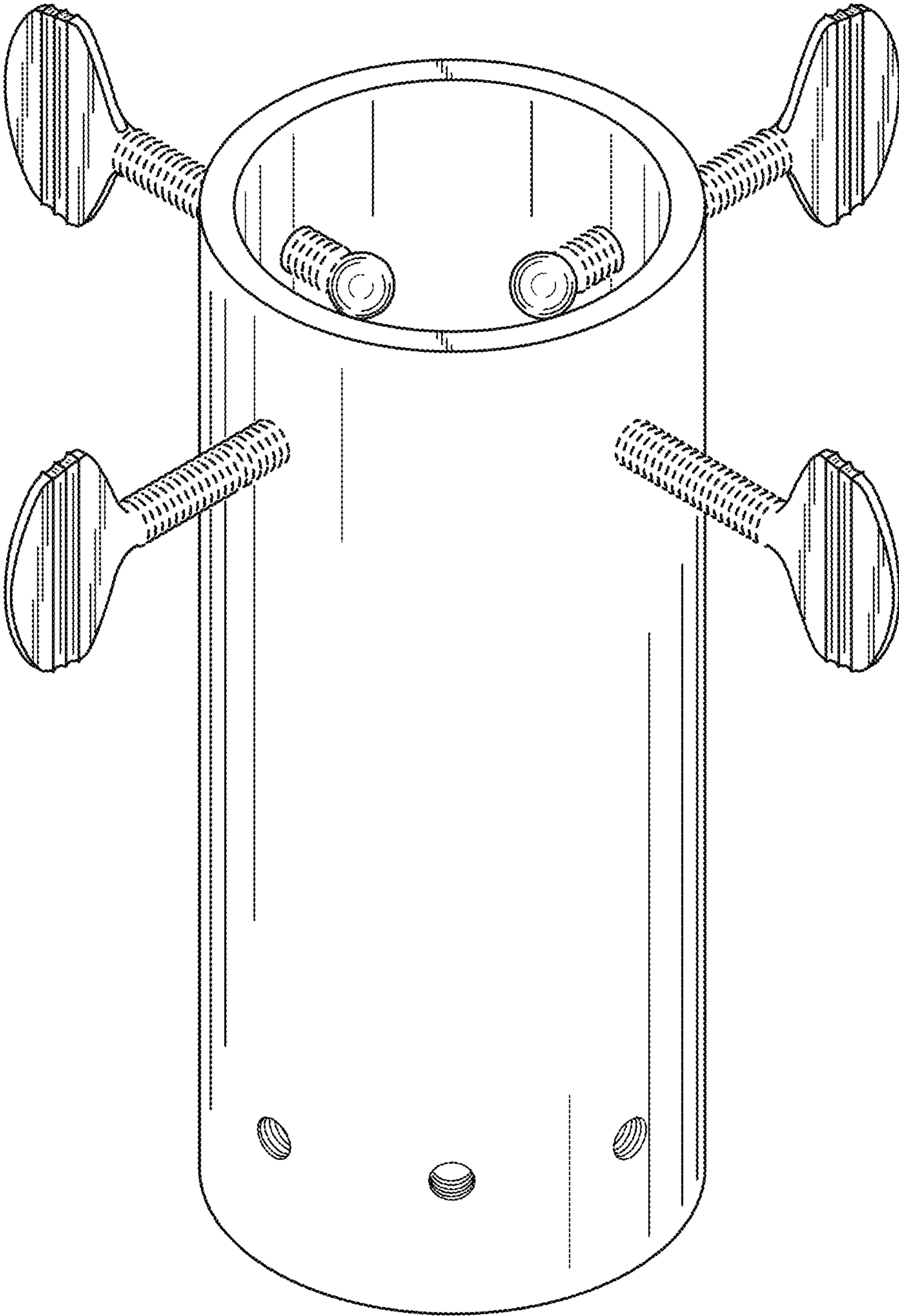


FIG. 1

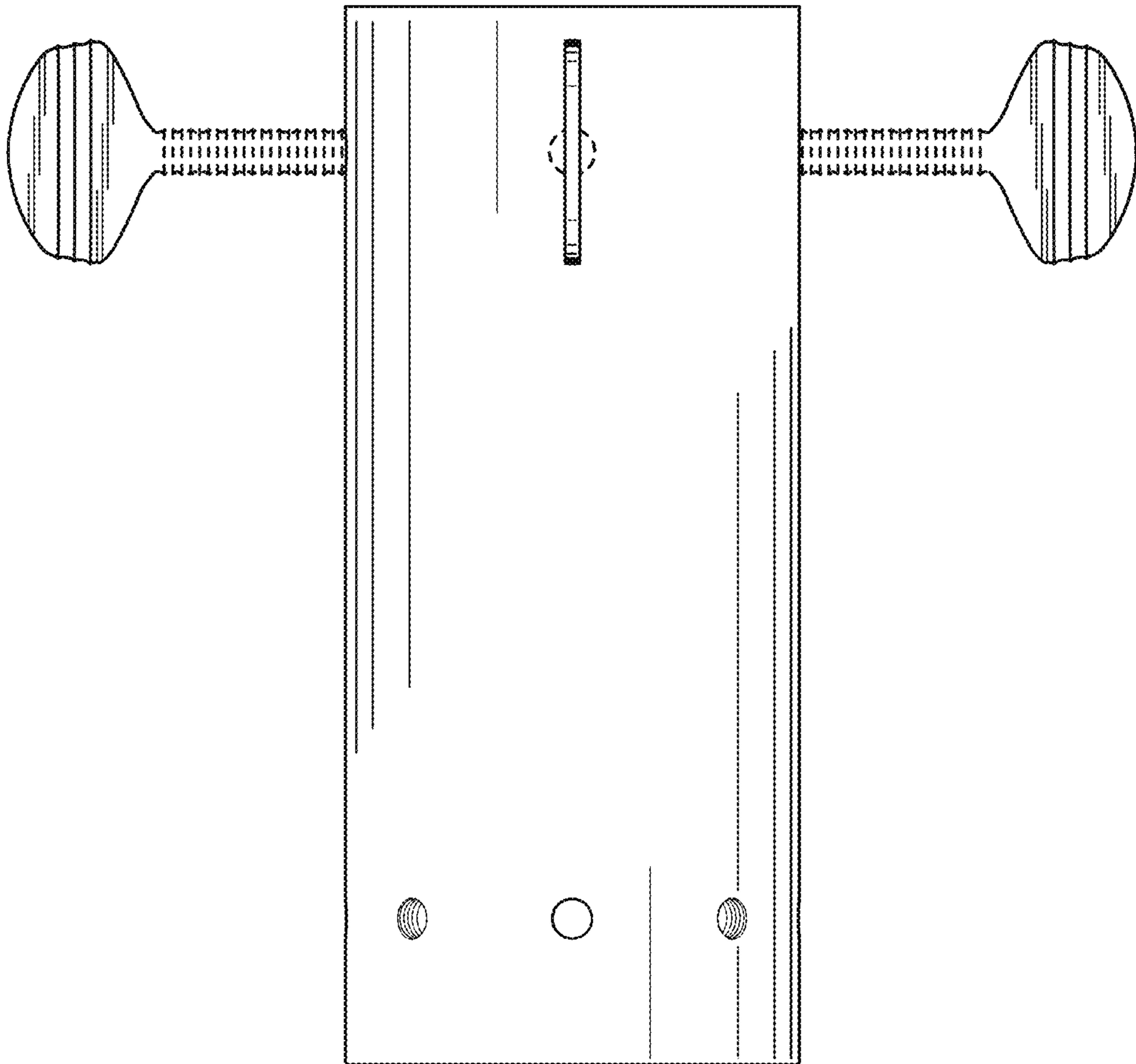


FIG. 2

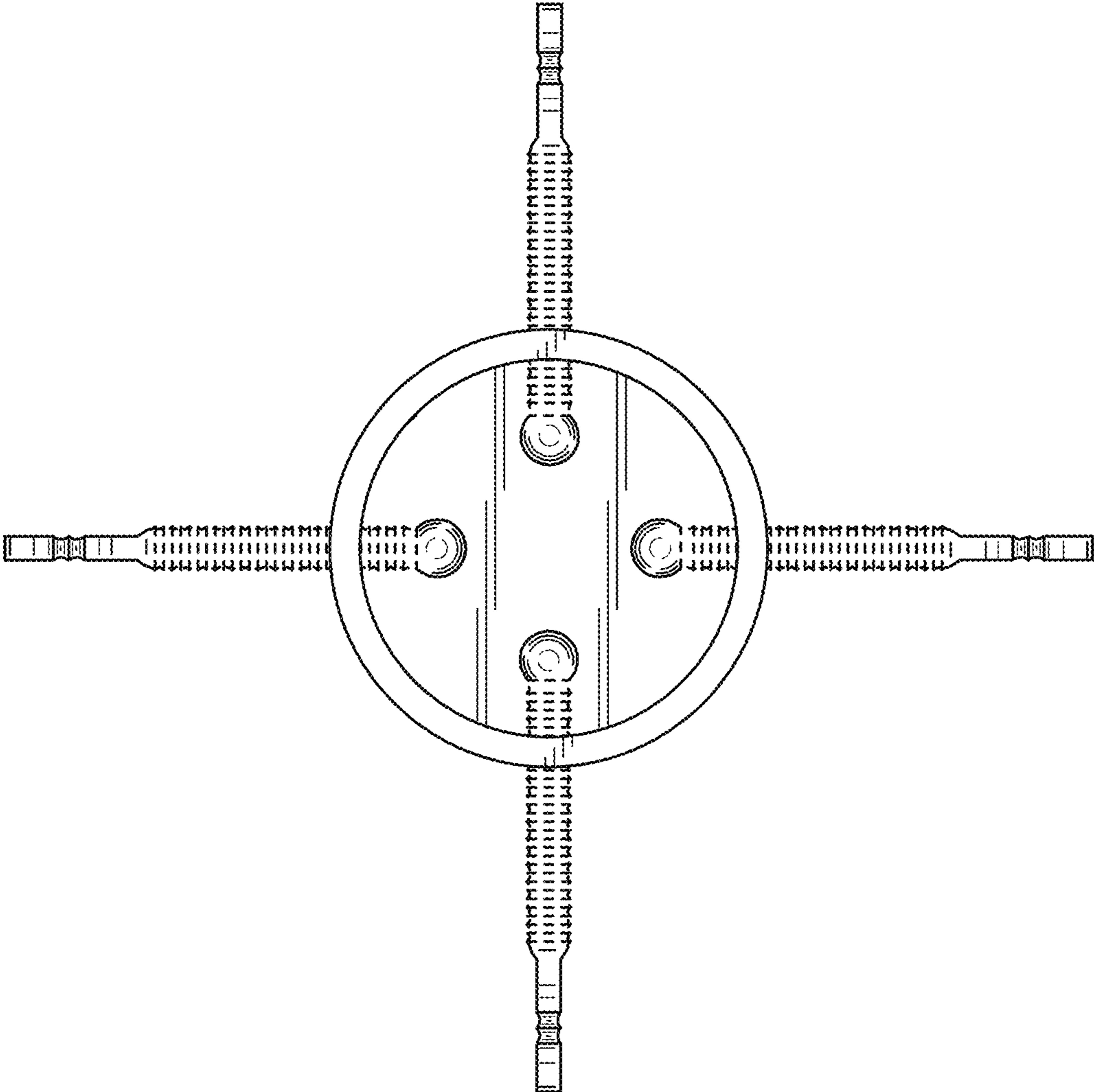


FIG. 3

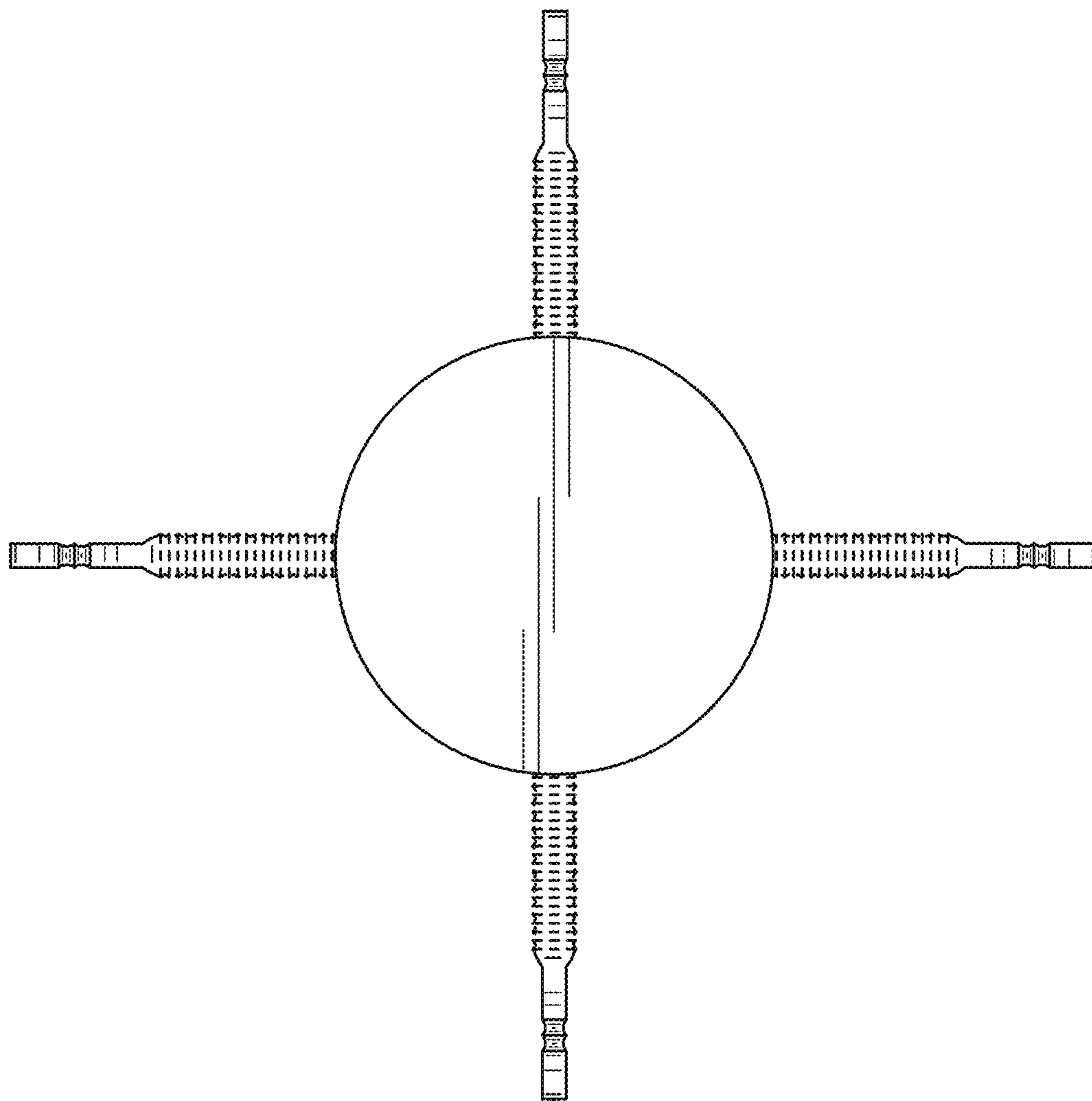


FIG. 4