



US00D793526S

(12) **United States Design Patent**
Behdjat

(10) **Patent No.:** **US D793,526 S**

(45) **Date of Patent:** **** Aug. 1, 2017**

(54) **SHOWERHEAD FOR A SEMICONDUCTOR PROCESSING CHAMBER**

(71) Applicant: **Applied Materials, Inc.**, Santa Clara, CA (US)

(72) Inventor: **Mehran Behdjat**, San Jose, CA (US)

(73) Assignee: **APPLIED MATERIALS, INC.**, Santa Clara, CA (US)

(**) Term: **15 Years**

(21) Appl. No.: **29/560,663**

(22) Filed: **Apr. 8, 2016**

(51) **LOC (10) Cl.** **23-01**

(52) **U.S. Cl.**
USPC **D23/213**

(58) **Field of Classification Search**
USPC D23/213, 223, 226, 229, 230
CPC C23C 16/45565; B05B 1/00; B05B 1/18;
B05B 9/01

See application file for complete search history.

(56) **References Cited**

U.S. PATENT DOCUMENTS

6,086,677	A	7/2000	Umotoy et al.	
D566,228	S *	4/2008	Neagoe	D23/213
D593,640	S *	6/2009	Schoenherr	D23/213
7,658,800	B2 *	2/2010	Chen	C23C 16/45565 118/715
D639,385	S *	6/2011	Flowers	D23/213
D641,829	S *	7/2011	Angelov	D23/213
D694,359	S *	11/2013	Schoenherr	D23/213
D707,328	S *	6/2014	Schoenherr	D23/213
D733,257	S *	6/2015	Schoenherr	D23/213

D736,348	S *	8/2015	Tan	D23/213
D751,176	S *	3/2016	Schoenherr	D23/213
D752,708	S *	3/2016	Chung	D23/213
D757,893	S *	5/2016	Walker	D23/213
9,343,307	B2	5/2016	Anikitchev	
9,353,439	B2 *	5/2016	Kashyap	C23C 16/45525
9,464,353	B2 *	10/2016	Park	C23C 16/45551
9,484,190	B2 *	11/2016	Glukhoy	H01J 37/3244
2003/0140851	A1	7/2003	Janakiraman et al.	
2005/0173569	A1	8/2005	Noorbakhsh et al.	
2006/0021703	A1	2/2006	Umotoy et al.	
2006/0234514	A1	10/2006	Gianoulakis et al.	
2009/0179085	A1	7/2009	Carducci et al.	

* cited by examiner

Primary Examiner — Robin V Webster

(74) *Attorney, Agent, or Firm* — Patterson + Sheridan, LLP

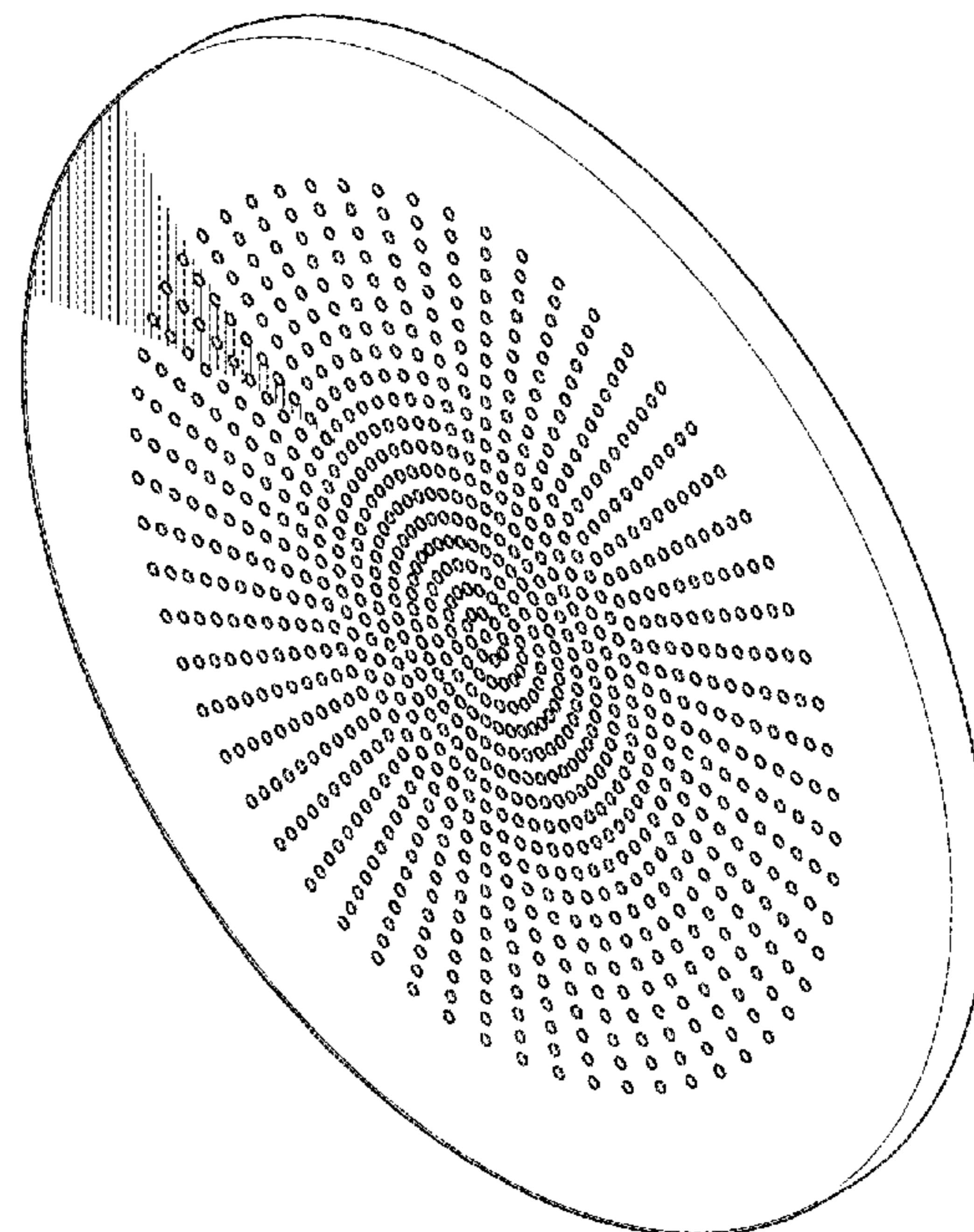
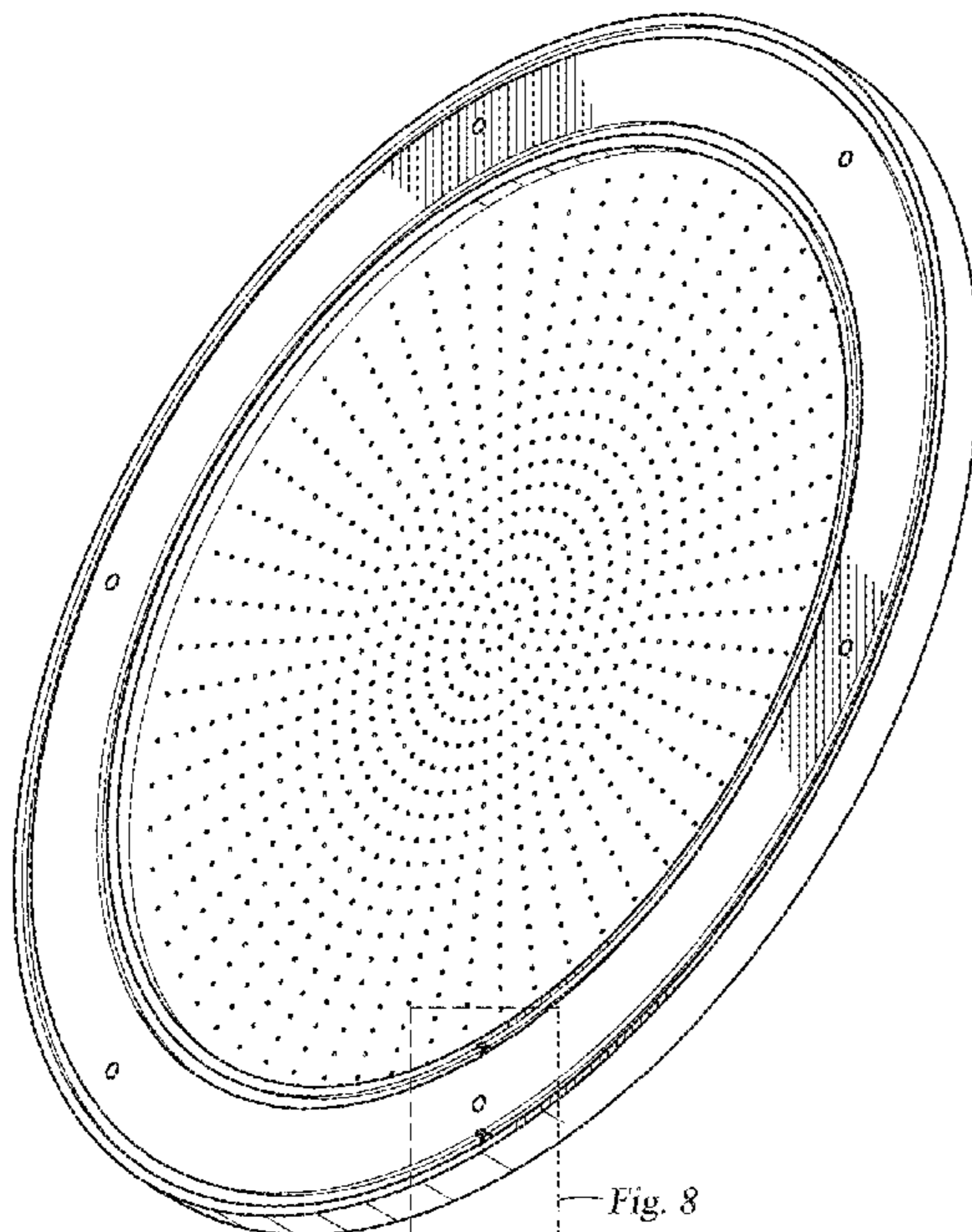
(57) **CLAIM**

The ornamental design for a showerhead for a semiconductor processing chamber, as shown and described.

DESCRIPTION

FIG. 1 is an isometric top view of a showerhead for a semiconductor processing chamber showing my new design. FIG. 2 is an isometric bottom view thereof. FIG. 3 is a top plan view thereof. FIG. 4 is a bottom plan view thereof. FIG. 5 is a side elevational view thereof, the other side elevational views being identical. FIG. 6 is a cross-sectional view thereof taken along lines 6-6 of FIG. 3. FIG. 7 is an enlarged view of a portion of FIG. 6; and, FIG. 8 is an enlarged view of a portion of FIG. 1.

1 Claim, 7 Drawing Sheets



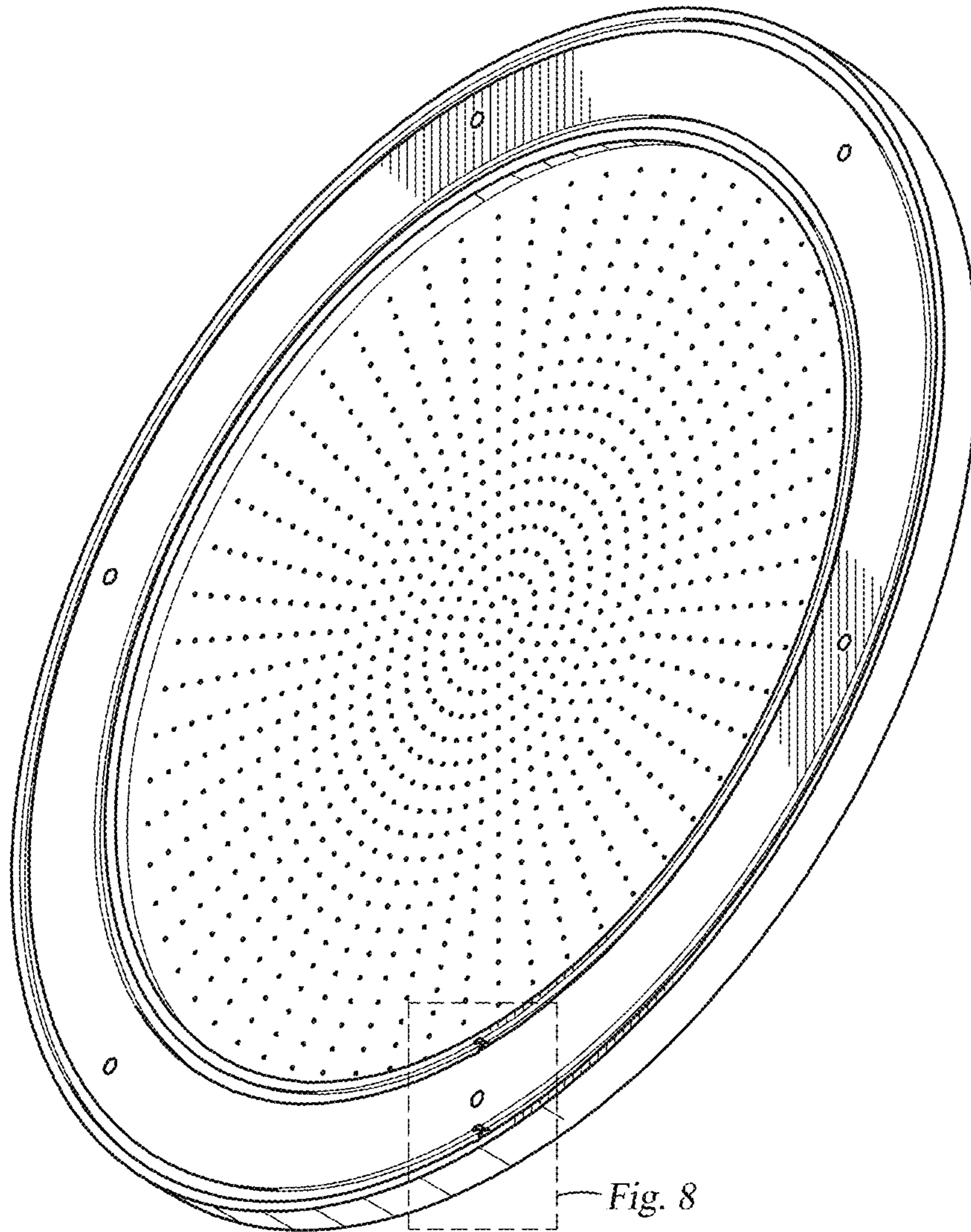


Fig. 1

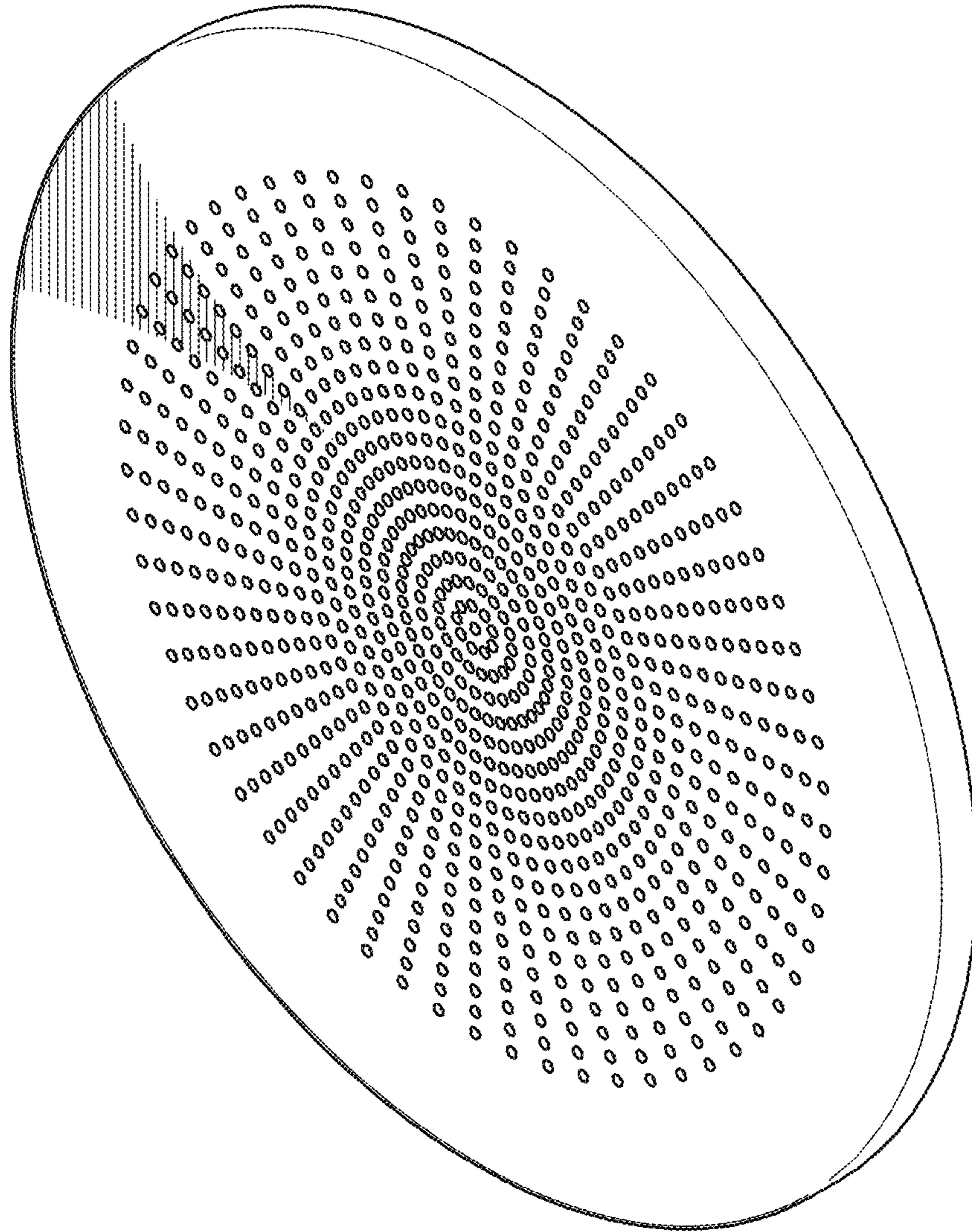


Fig. 2

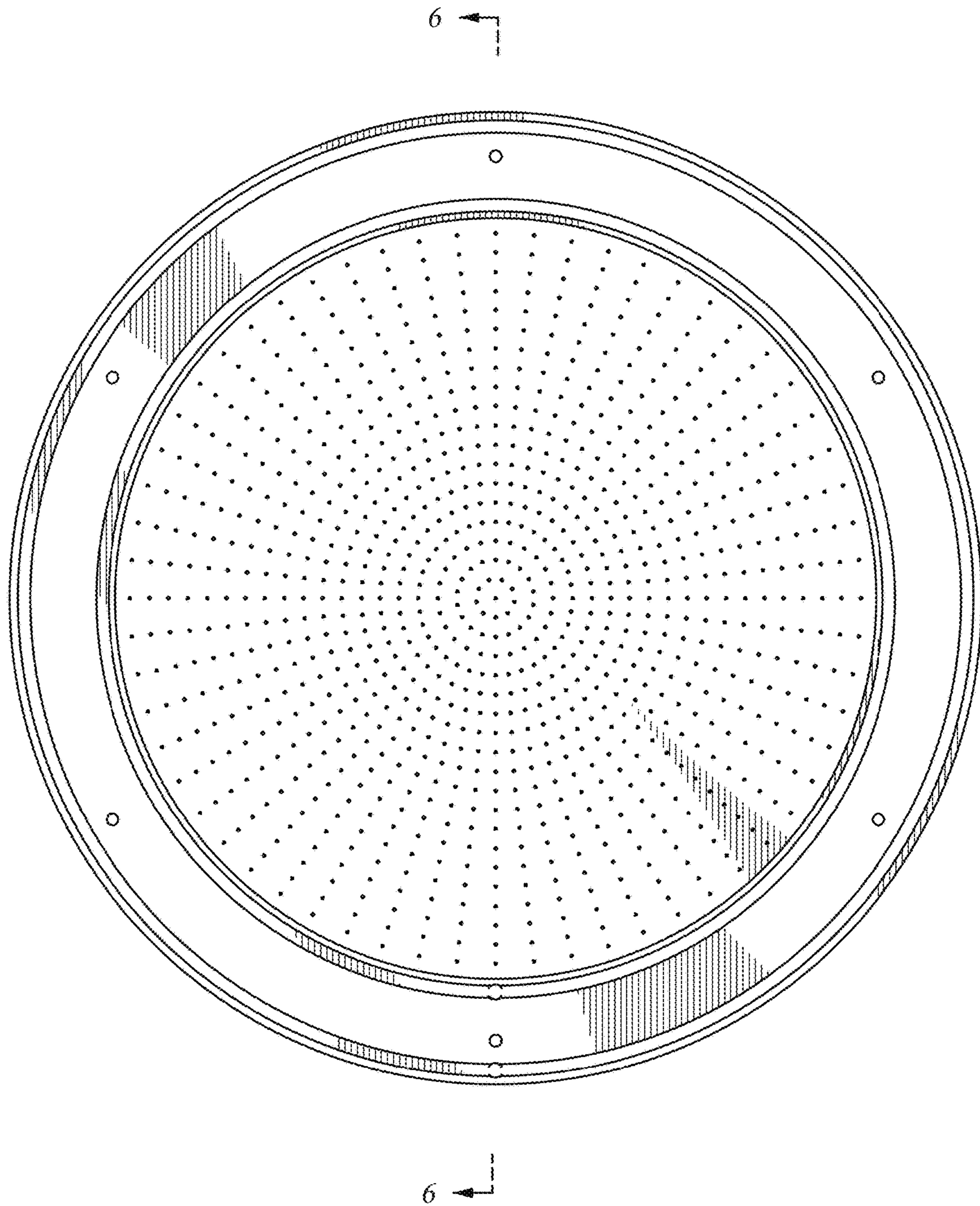


Fig. 3

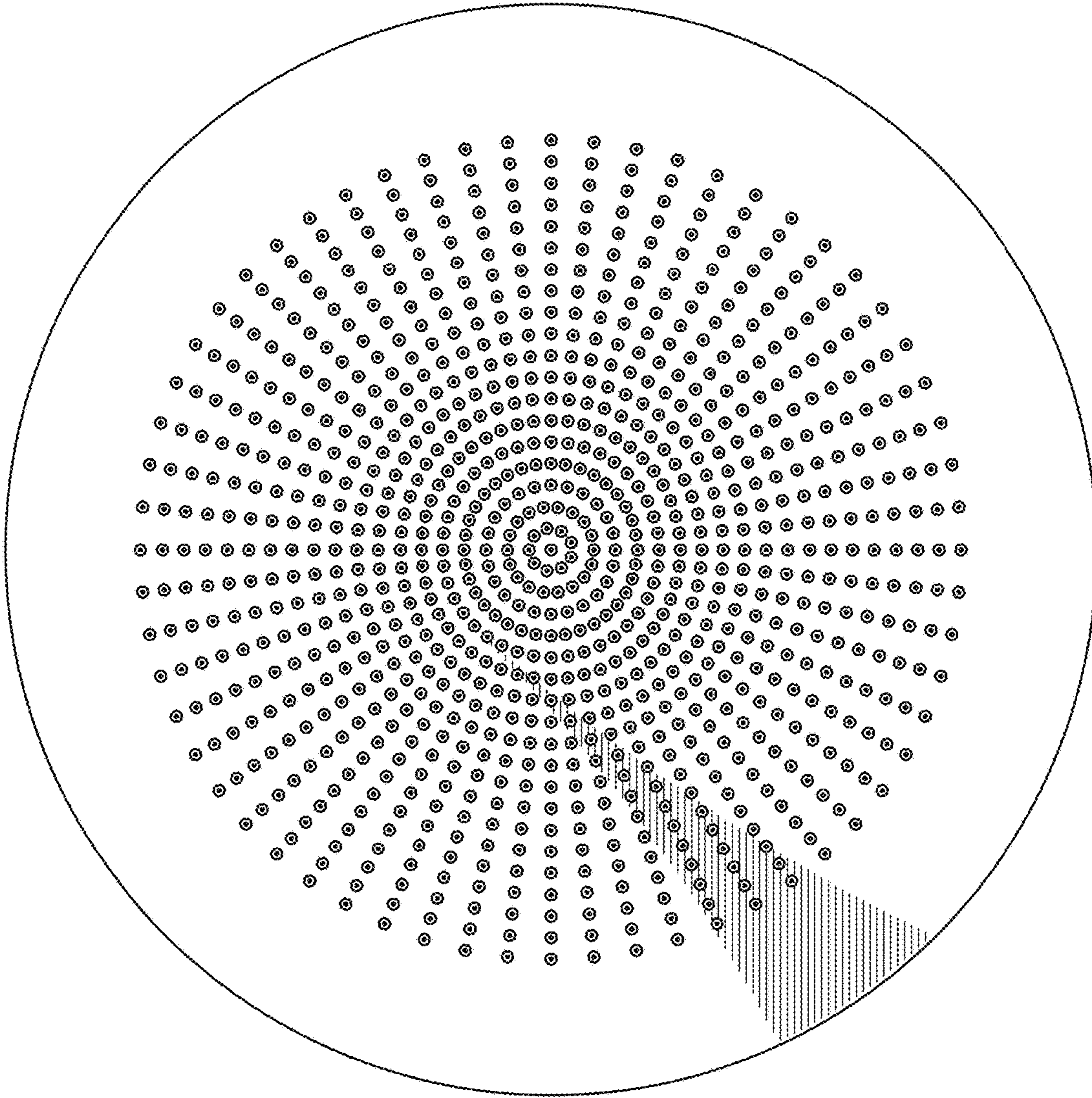


Fig. 4



Fig. 5

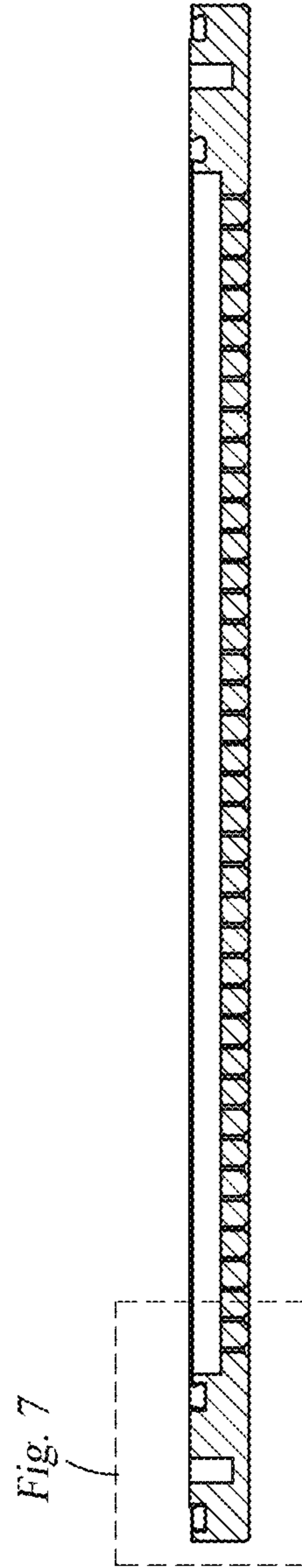


Fig. 6

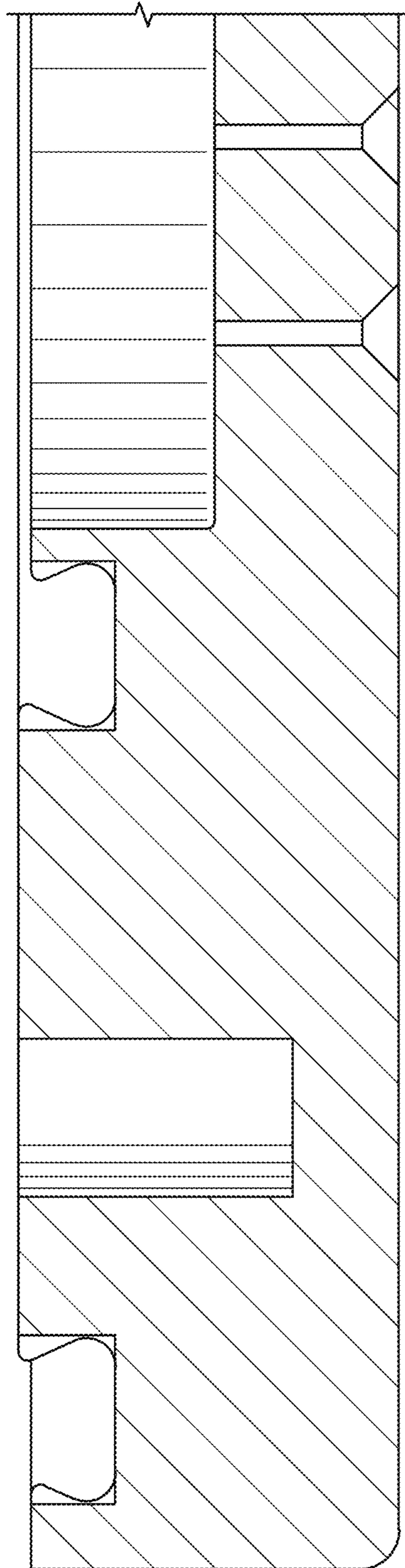


Fig. 7

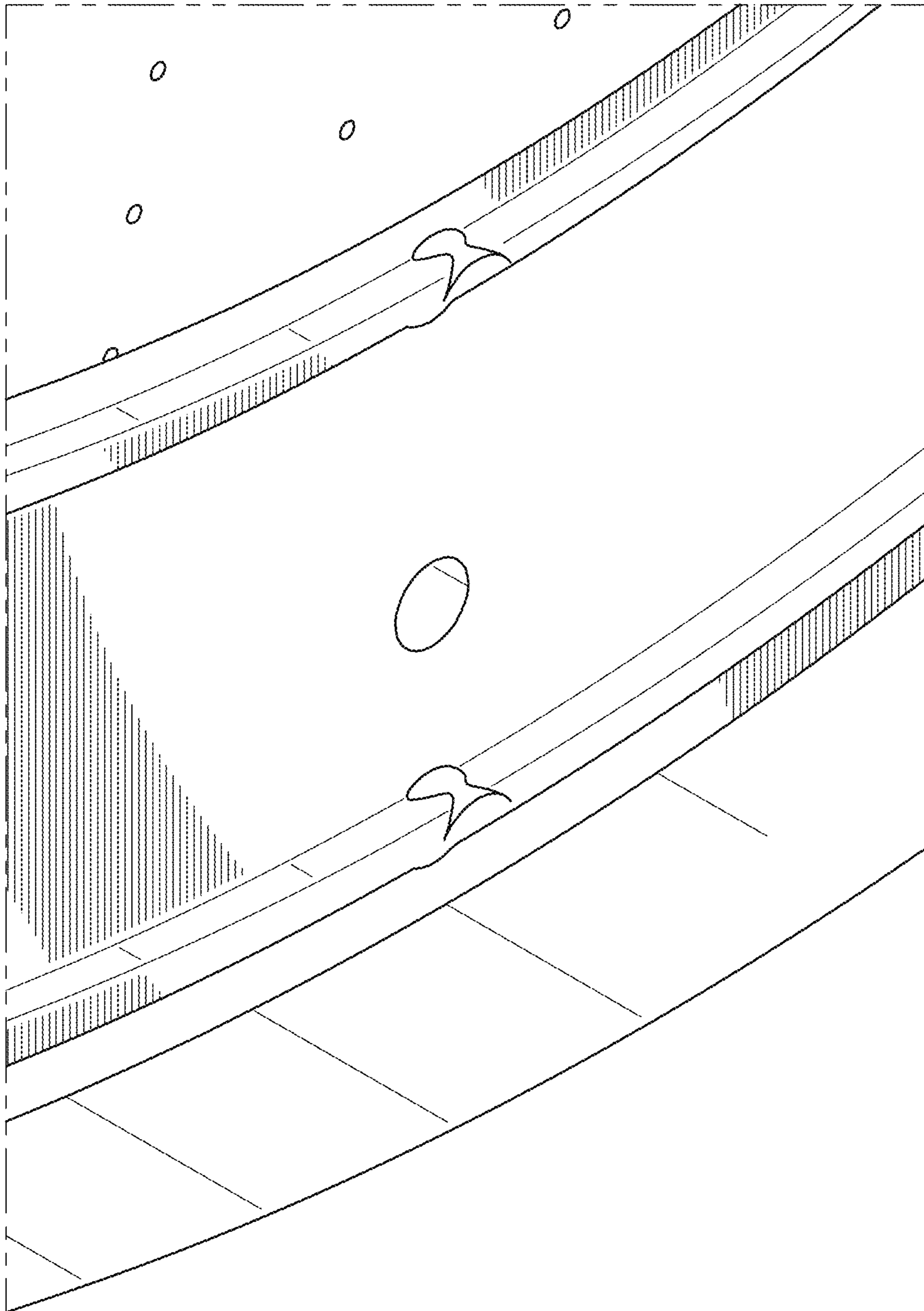


Fig. 8