



US00D793525S

(12) **United States Design Patent** (10) **Patent No.:** **US D793,525 S**  
**Morris et al.** (45) **Date of Patent:** **\*\* Aug. 1, 2017**

- (54) **FILTER CAP**
- (71) Applicant: **Caterpillar Inc.**, Peoria, IL (US)
- (72) Inventors: **Bryant Morris**, Peoria, IL (US); **Jeffrey Ries**, Metamora, IL (US); **Brian Sutton**, Edwards, IL (US)
- (73) Assignee: **Caterpillar Inc.**, Peoria, IL (US)
- (\*\*) Term: **15 Years**
- (21) Appl. No.: **29/582,799**
- (22) Filed: **Oct. 31, 2016**

- 7,178,179 B2 2/2007 Barnes
- D548,307 S 8/2007 Reynolds et al.
- 7,410,575 B1 8/2008 Crawford et al.
- D591,414 S 4/2009 Farnaby et al.
- 7,704,397 B2 4/2010 Meddock et al.
- D621,009 S 8/2010 Mjelde et al.
- 7,938,963 B2 5/2011 Klein et al.
- 8,167,966 B2 5/2012 Amirkhanian et al.
- 8,272,516 B2 9/2012 Salvador et al.
- D673,244 S 12/2012 Magargal et al.
- 8,419,938 B2 4/2013 Ries et al.

(Continued)

**FOREIGN PATENT DOCUMENTS**

- DE 10 2006 051 406 A1 4/2008
- DE 10 2007 048 550 A1 4/2008

(Continued)

**Related U.S. Application Data**

- (63) Continuation of application No. 29/540,250, filed on Sep. 22, 2015.
- (51) **LOC (10) Cl.** ..... **23-01**
- (52) **U.S. Cl.**  
USPC ..... **D23/209**
- (58) **Field of Classification Search**  
USPC ..... D23/213, 207, 209; 210/232, 234, 236,  
210/493.2; 285/360, 361  
CPC ..... B01D 35/30; B01D 35/153; B01D 35/157  
See application file for complete search history.

**OTHER PUBLICATIONS**

- U.S. Appl. No. 14/605,457, filed Jan. 26, 2015 (unpublished).
- (Continued)

*Primary Examiner* — Robin V Webster  
(74) *Attorney, Agent, or Firm* — Saidman Design Law Group

(57) **CLAIM**

The ornamental design for a filter cap, as shown and described.

(56) **References Cited**

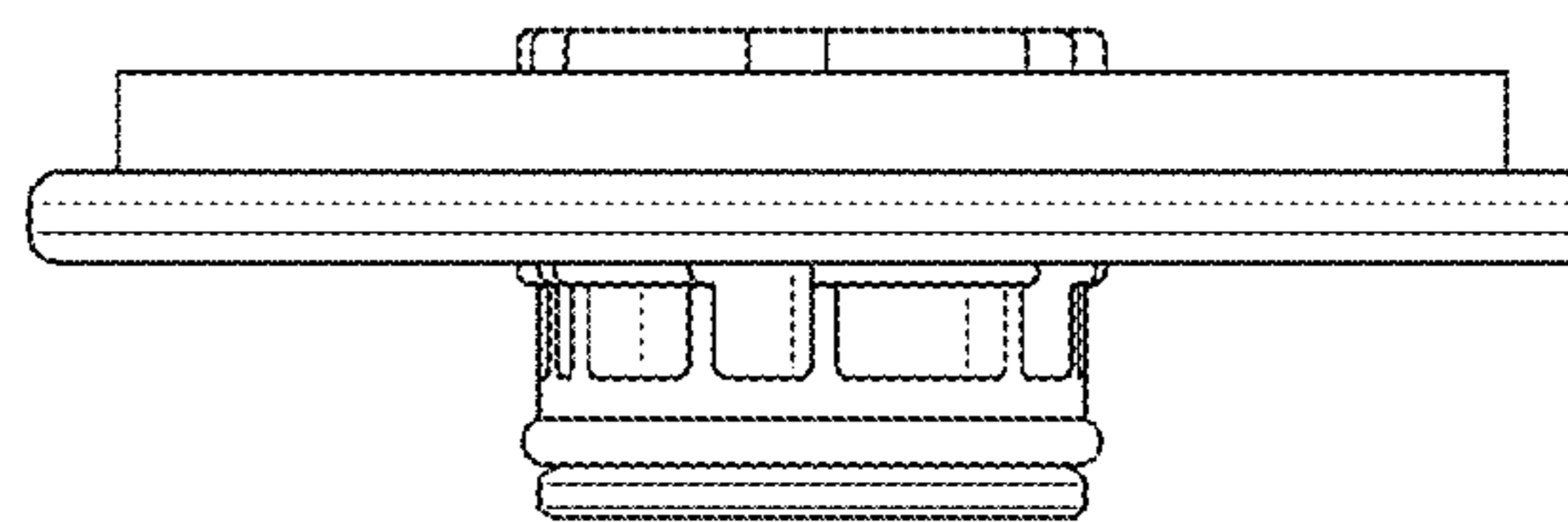
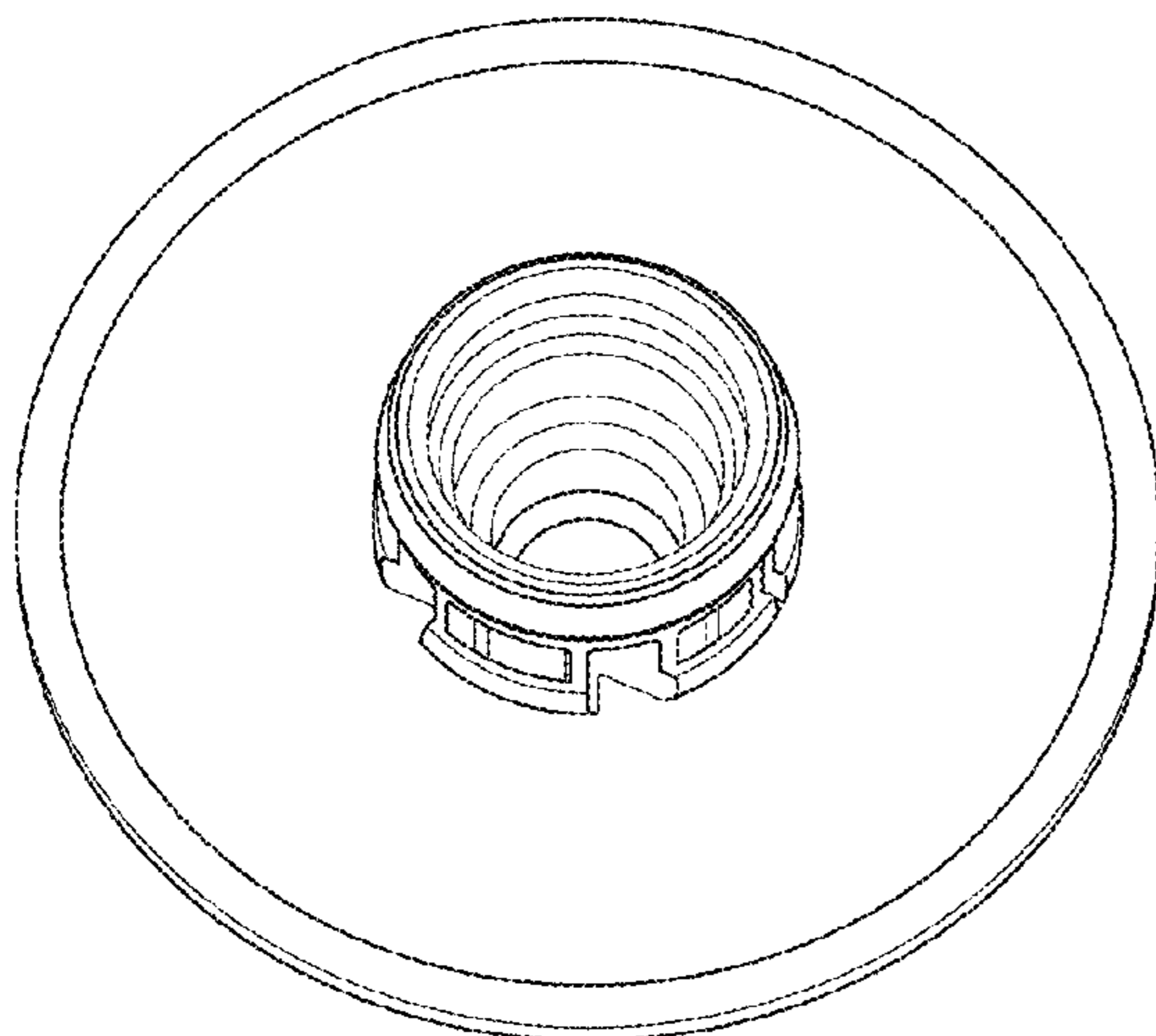
**U.S. PATENT DOCUMENTS**

- 3,312,351 A 4/1967 Kasten
- 3,390,778 A 7/1968 Uhen
- 3,465,883 A 9/1969 Jumper
- 4,136,035 A 1/1979 Bogomolov et al.
- D319,295 S 8/1991 Ohaus
- 5,084,170 A 1/1992 Janik et al.
- D370,489 S 6/1996 Taggett et al.
- D394,697 S 5/1998 Liang
- 5,750,024 A 5/1998 Spearman
- 5,770,065 A 6/1998 Popoff et al.
- 6,082,230 A 7/2000 Steinweg
- 6,340,035 B2 1/2002 Wright

**DESCRIPTION**

FIG. 1 is a front perspective view of a filter cap showing our new design;  
FIG. 2 is a front view thereof;  
FIG. 3 is a rear view thereof;  
FIG. 4 is a right side view thereof;  
FIG. 5 is a left side view thereof;  
FIG. 6 is a bottom view thereof; and,  
FIG. 7 is a top view thereof.

**1 Claim, 2 Drawing Sheets**



(56)

**References Cited**

U.S. PATENT DOCUMENTS

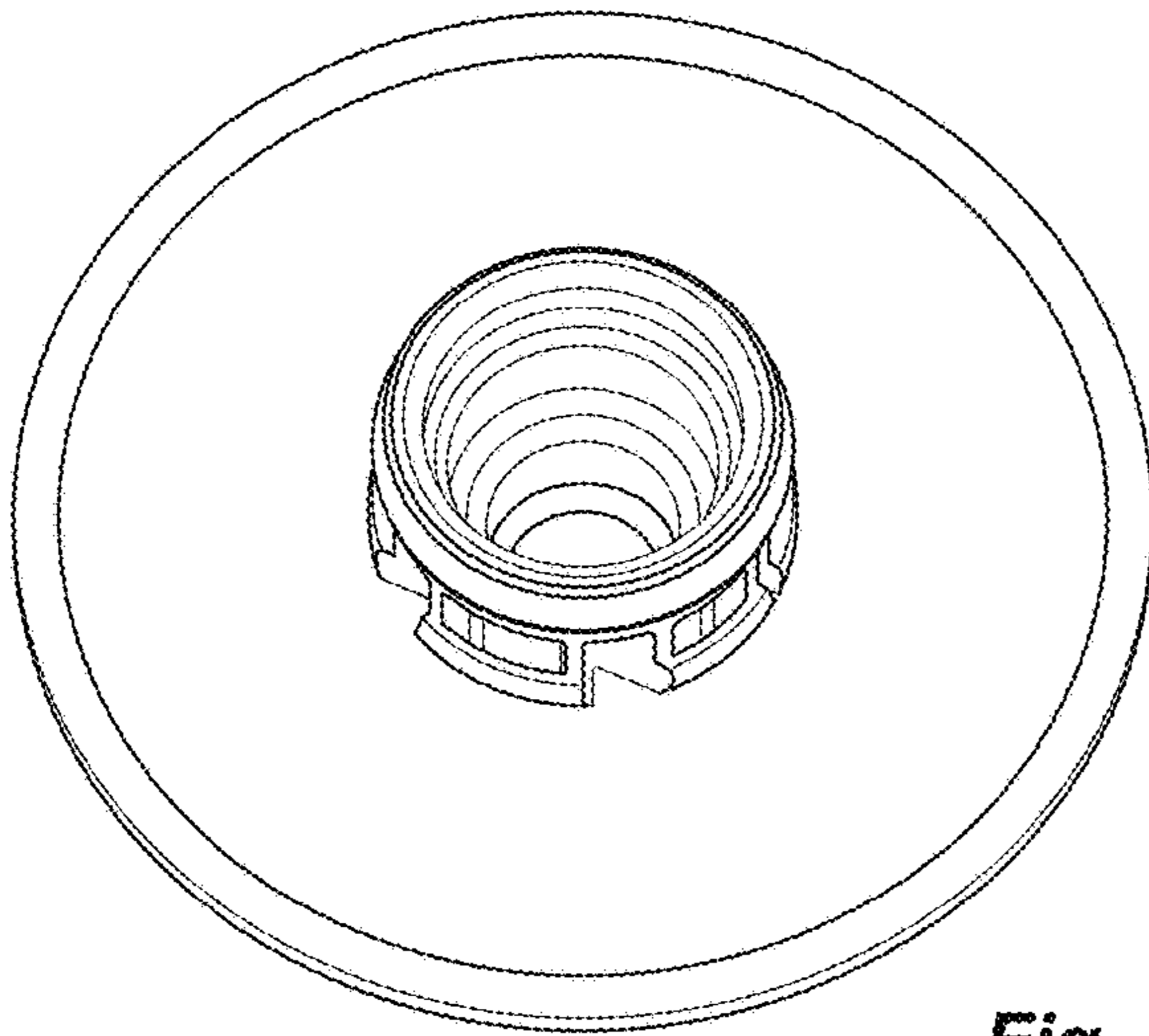
8,535,520	B2	9/2013	Reyinger et al.
D717,395	S	11/2014	Neto
D720,838	S	1/2015	Yamagishi et al.
D729,344	S	5/2015	Colussi
D730,731	S	6/2015	Bewley, Jr. et al.
D732,145	S	6/2015	Yamagishi et al.
D733,843	S	7/2015	Yamagishi et al.
D734,861	S	7/2015	Johnson et al.
D740,953	S	10/2015	Spears et al.
D754,304	S	4/2016	Morris et al.
2003/0178354	A1	9/2003	Wall
2006/0091064	A1	5/2006	Brown et al.
2007/0181481	A1	8/2007	Reynolds et al.
2009/0127198	A1	5/2009	Salvador et al.
2011/0132828	A1	6/2011	Ries et al.
2012/0080372	A1	4/2012	Ries et al.
2014/0102967	A1	4/2014	Blunt et al.
2014/0138303	A1	5/2014	Takeda et al.

FOREIGN PATENT DOCUMENTS

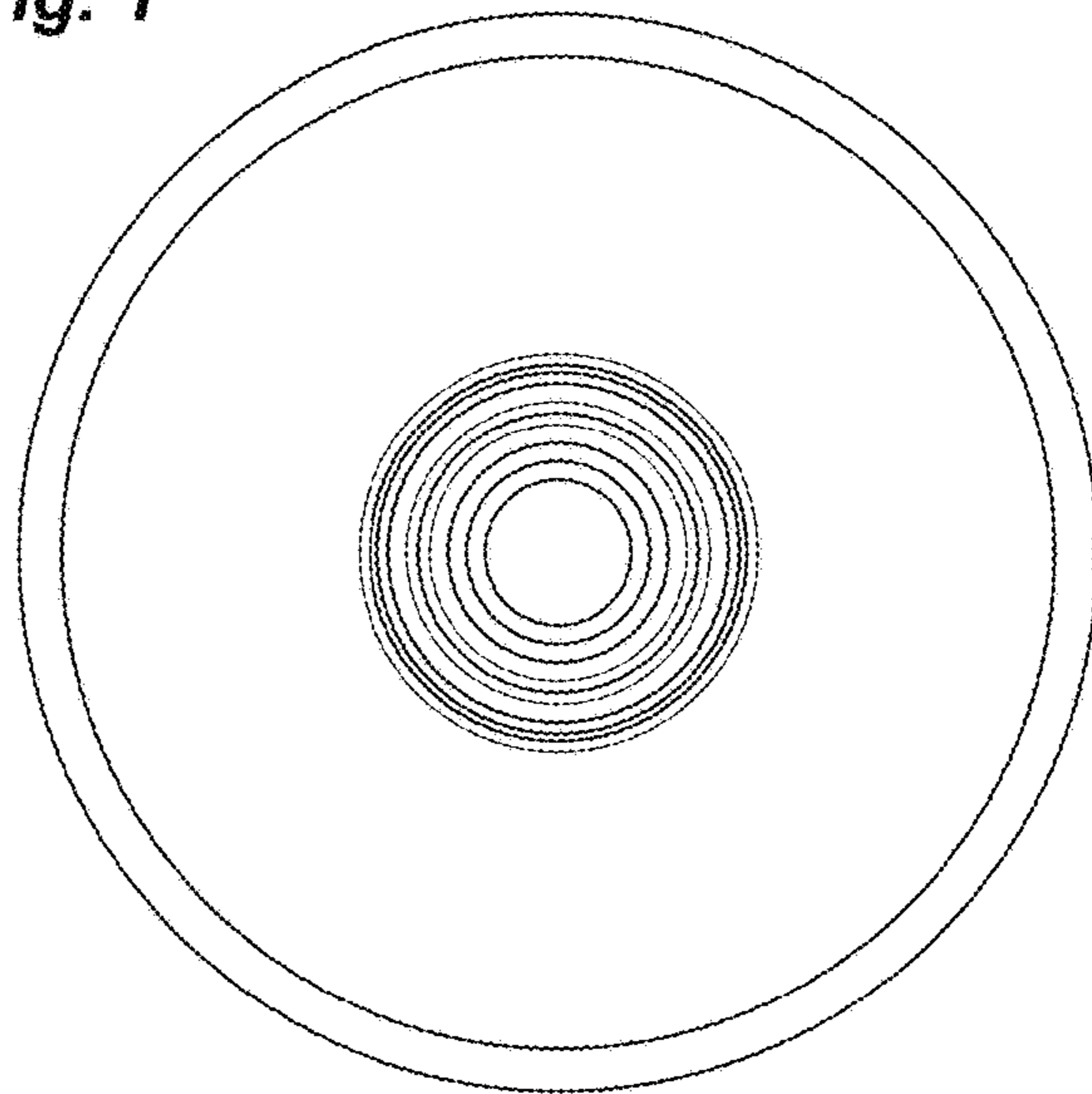
FR	2829703	3/2004
GB	950333	2/1964
GB	1088029	10/1967
WO	2009/095339	A1 8/2009
WO	2014/059184	A1 4/2014
WO	2014/082762	A1 6/2014

OTHER PUBLICATIONS

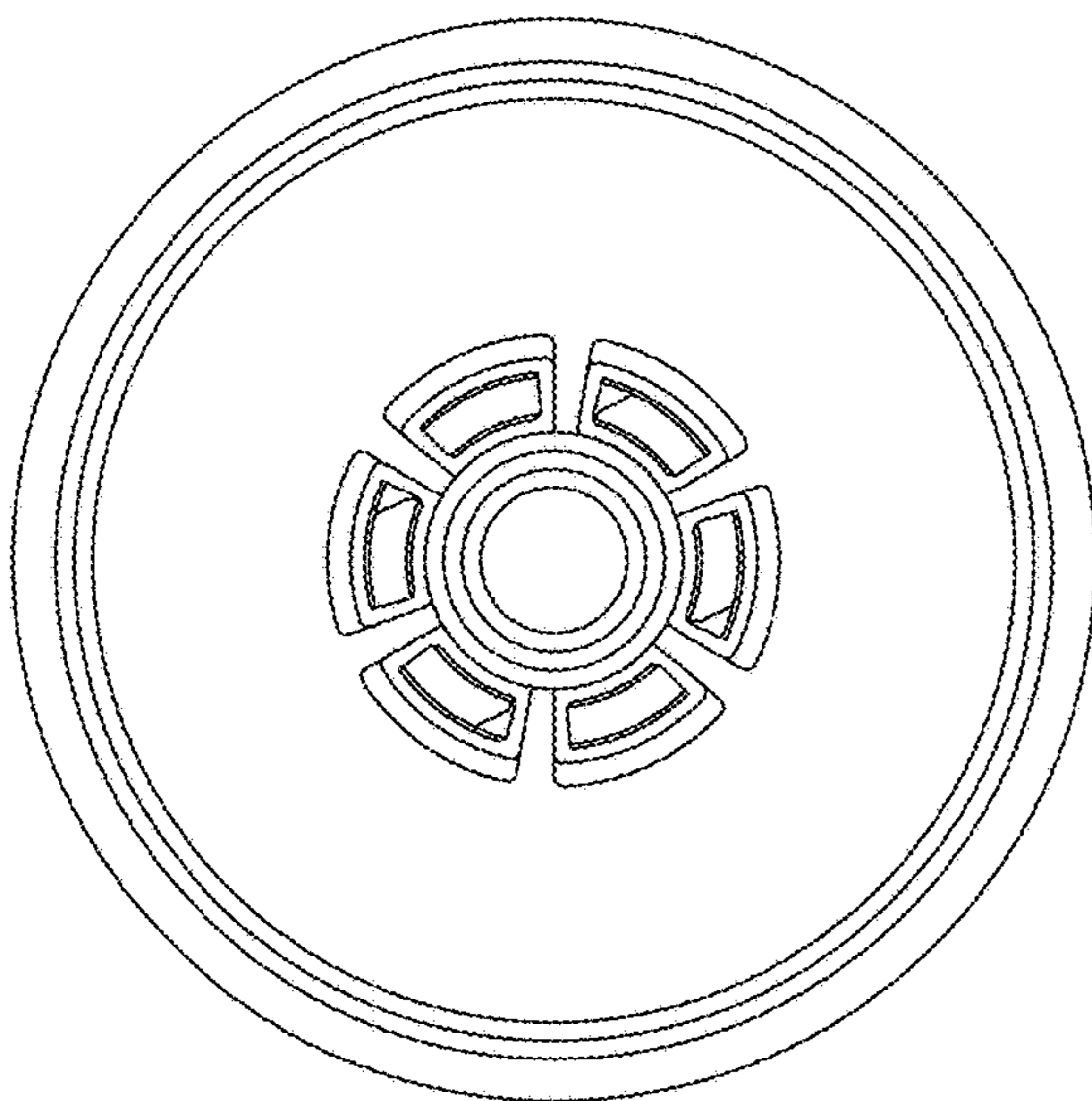
U.S. Appl. No. 14/605,533, filed Jan. 26, 2015 (unpublished).  
U.S. Appl. No. 29/540,256, filed Sep. 22, 2015 (unpublished).  
U.S. Appl. No. 14/861,060, filed Sep. 22, 2015 (unpublished).  
U.S. Appl. No. 14/861,012, filed Sep. 22, 2015 (unpublished).  
U.S. Appl. No. 29/553,264, filed Jan. 29, 2016 (unpublished).



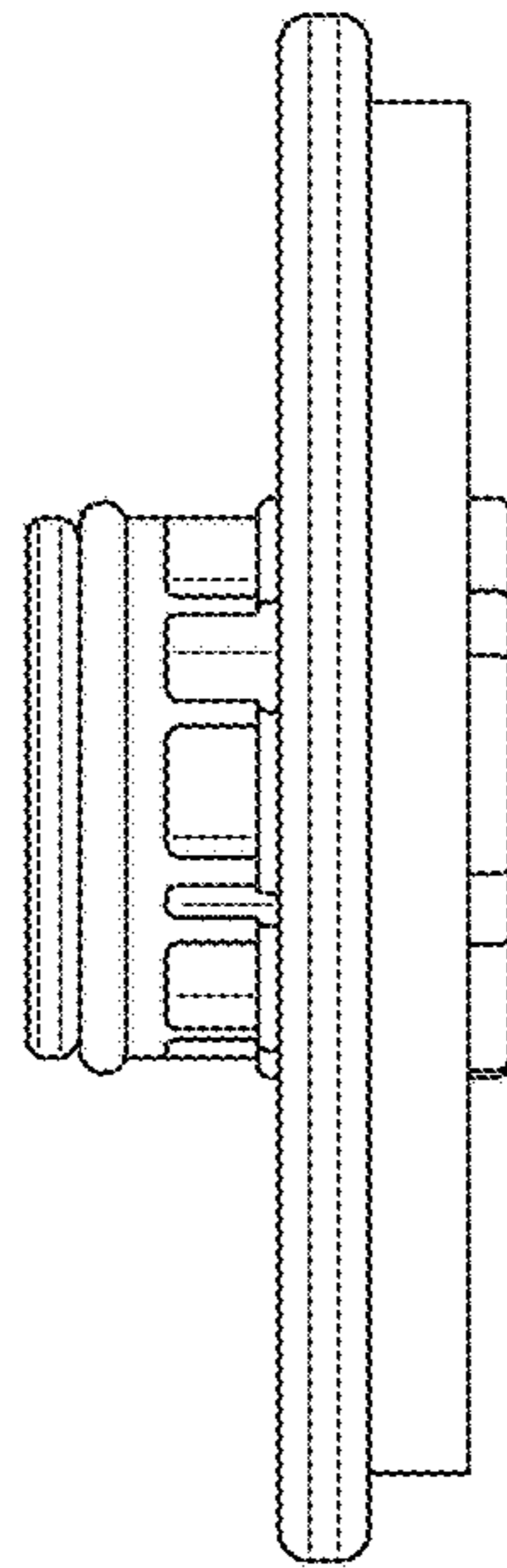
**Fig. 1**



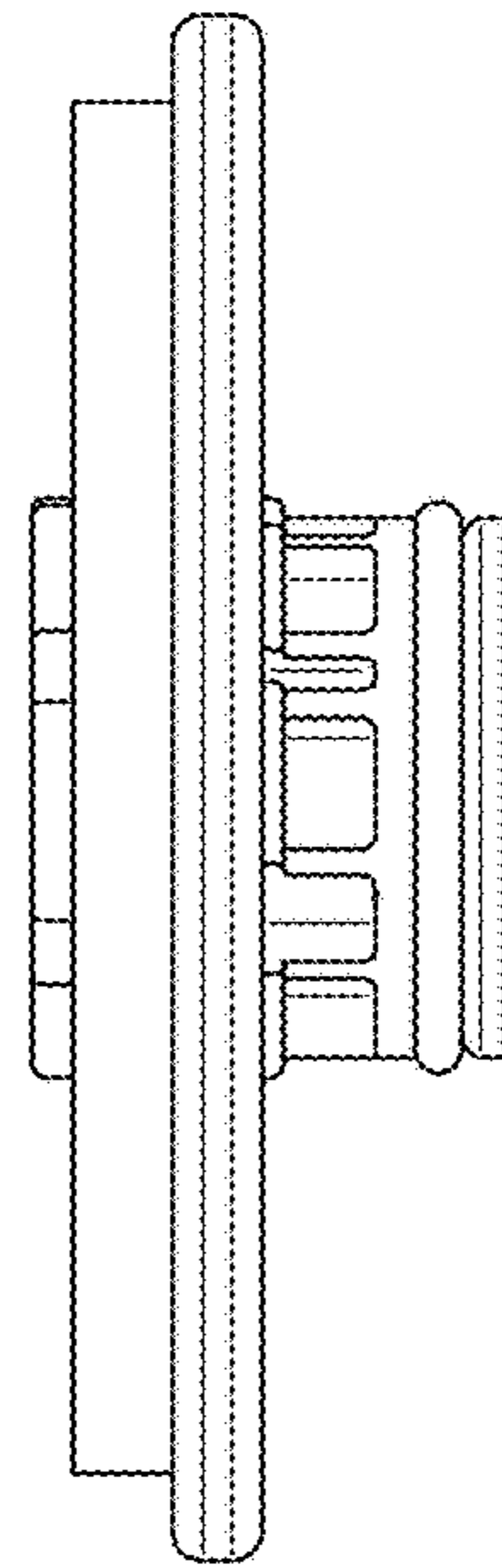
**Fig. 2**



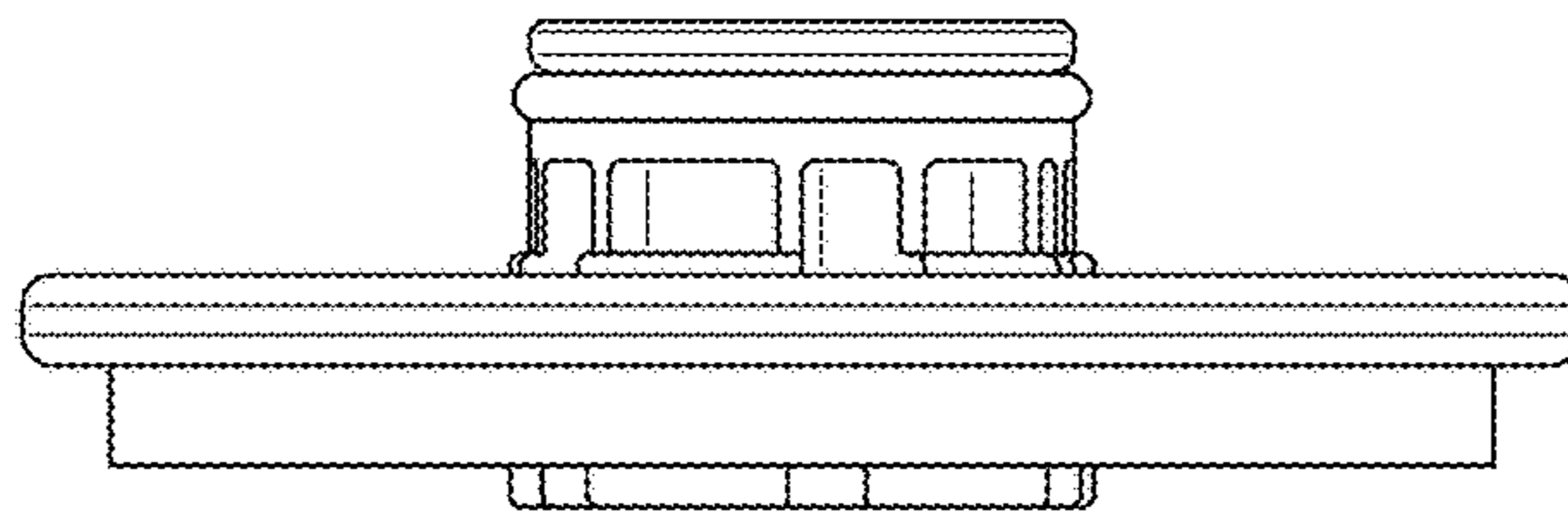
**Fig. 3**



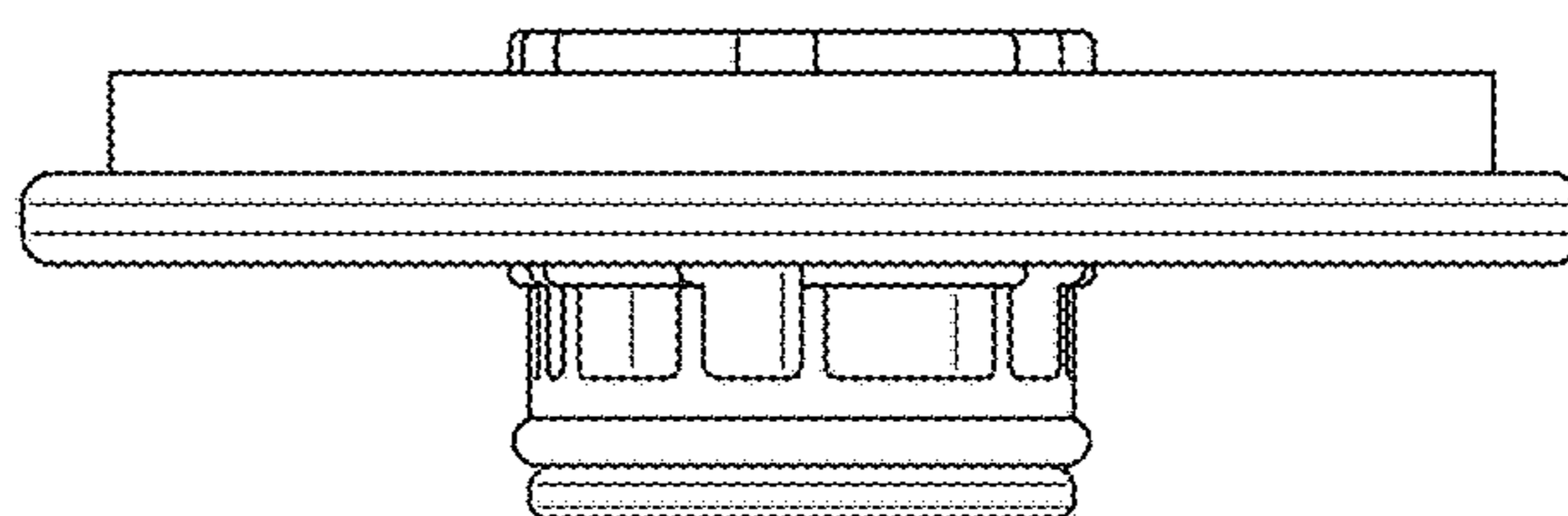
*Fig. 4*



*Fig. 5*



*Fig. 6*



*Fig. 7*