



US00D793524S

(12) **United States Design Patent** (10) **Patent No.:** **US D793,524 S**
Kruse (45) **Date of Patent:** **** Aug. 1, 2017**

(54) **FILTER SYSTEM WITH TIMESTRIP**

D621,001 S 8/2010 Maziel
7,909,999 B2 3/2011 Noh et al.
8,365,924 B2 2/2013 Sokolchik et al.
8,524,079 B1 9/2013 Tseng

(71) Applicant: **SATA GmbH & Co. KG,**
Kornwestheim (DE)

(Continued)

(72) Inventor: **Albrecht Kruse,** Stuttgart (DE)

FOREIGN PATENT DOCUMENTS

(73) Assignee: **SATA GmbH & Co. KG,**
Kornwestheim (DE)

EP 1405145 4/2004
WO 03/007088 1/2003

(**) Term: **15 Years**

Primary Examiner — Robin V Webster

(21) Appl. No.: **29/579,492**

(74) *Attorney, Agent, or Firm* — Paul D. Bianco; Lourdes Perez; Fleit Gibbons Gutman Bongini & Bianco PL

(22) Filed: **Sep. 30, 2016**

(57) **CLAIM**

Related U.S. Application Data

The ornamental design for a filter system with timestrip, as shown and described.

(62) Division of application No. 29/515,496, filed on Jan. 23, 2015, now Pat. No. Des. 768,812.

DESCRIPTION

(30) **Foreign Application Priority Data**

Jul. 25, 2014 (CN) 2014 3 0256332

(51) **LOC (10) Cl.** **23-01**

(52) **U.S. Cl.**
USPC **D23/209**

(58) **Field of Classification Search**
USPC D23/207, 209; 210/340, 341, 234
CPC B01D 35/12
See application file for complete search history.

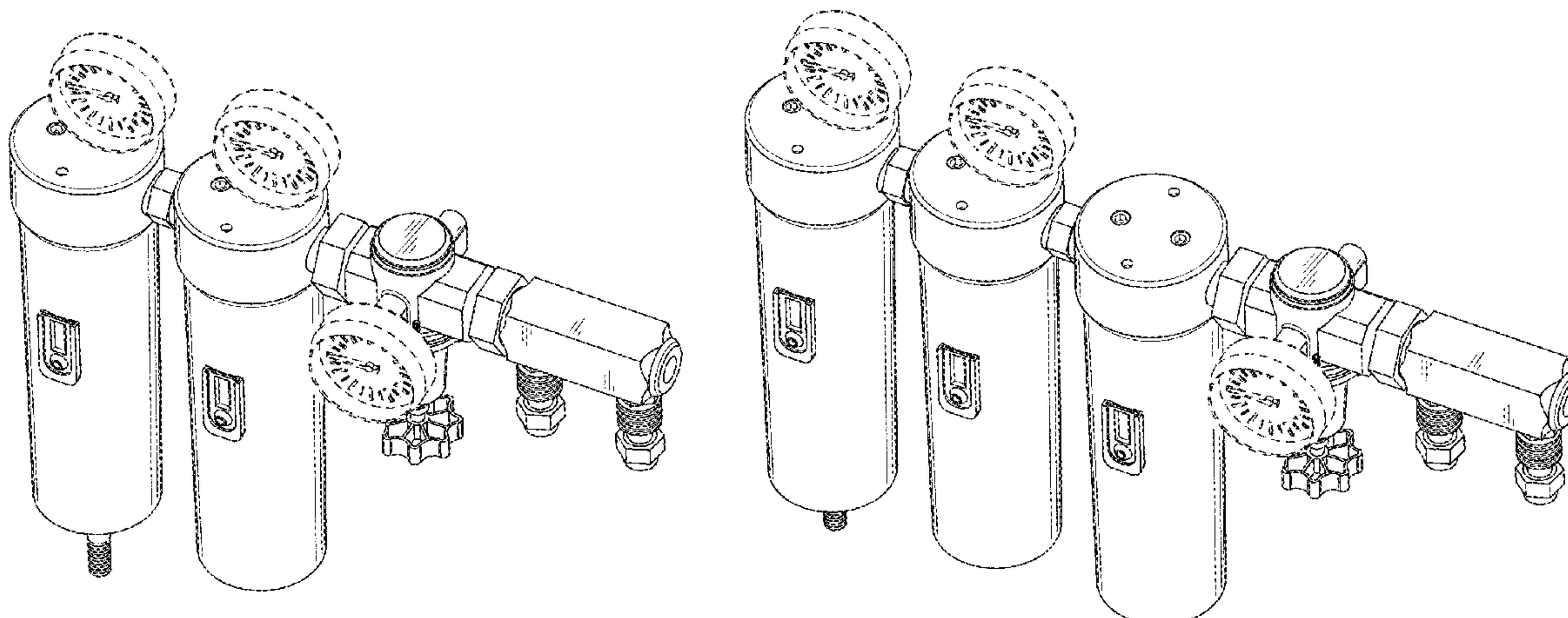
FIG. 1 is a perspective view of a first embodiment of a filter system with a timestrip according to the present invention; FIG. 2 is a first side view of the filter system of FIG. 1; FIG. 3 is a second side view of the filter system of FIG. 1; FIG. 4 is a front view of the filter system of FIG. 1; FIG. 5 is a back view of the filter system of FIG. 1; FIG. 6 is a top view of the filter system of FIG. 1; FIG. 7 is a bottom view of the filter system of FIG. 1; FIG. 8 is a perspective view of a second embodiment of a filter system with a timestrip according to the present invention; FIG. 9 is a first side view of the filter system of FIG. 8; FIG. 10 is a second side view of the filter system of FIG. 8; FIG. 11 is a front view of the filter system of FIG. 8; FIG. 12 is a back view of the filter system of FIG. 8; FIG. 13 is a top view of the filter system of FIG. 8; and, FIG. 14 is a bottom view of the filter system of FIG. 8. The broken line showing is included for the purpose of illustrating and forms no part of the claimed design.

(56) **References Cited**

U.S. PATENT DOCUMENTS

3,598,243 A 8/1971 Gutkowski
4,192,750 A 3/1980 Elfes et al.
4,615,800 A 10/1986 Stifelman et al.
D306,754 S 3/1990 Petrucci
5,876,610 A 3/1999 Clack et al.
D454,615 S 3/2002 Neal
7,232,253 B2 6/2007 Isbitsky et al.
D547,826 S 7/2007 Kennedy

1 Claim, 9 Drawing Sheets



(56)

References Cited

U.S. PATENT DOCUMENTS

2004/0240324 A1 12/2004 Isbitsky et al.
2016/0023152 A1 1/2016 Kruse

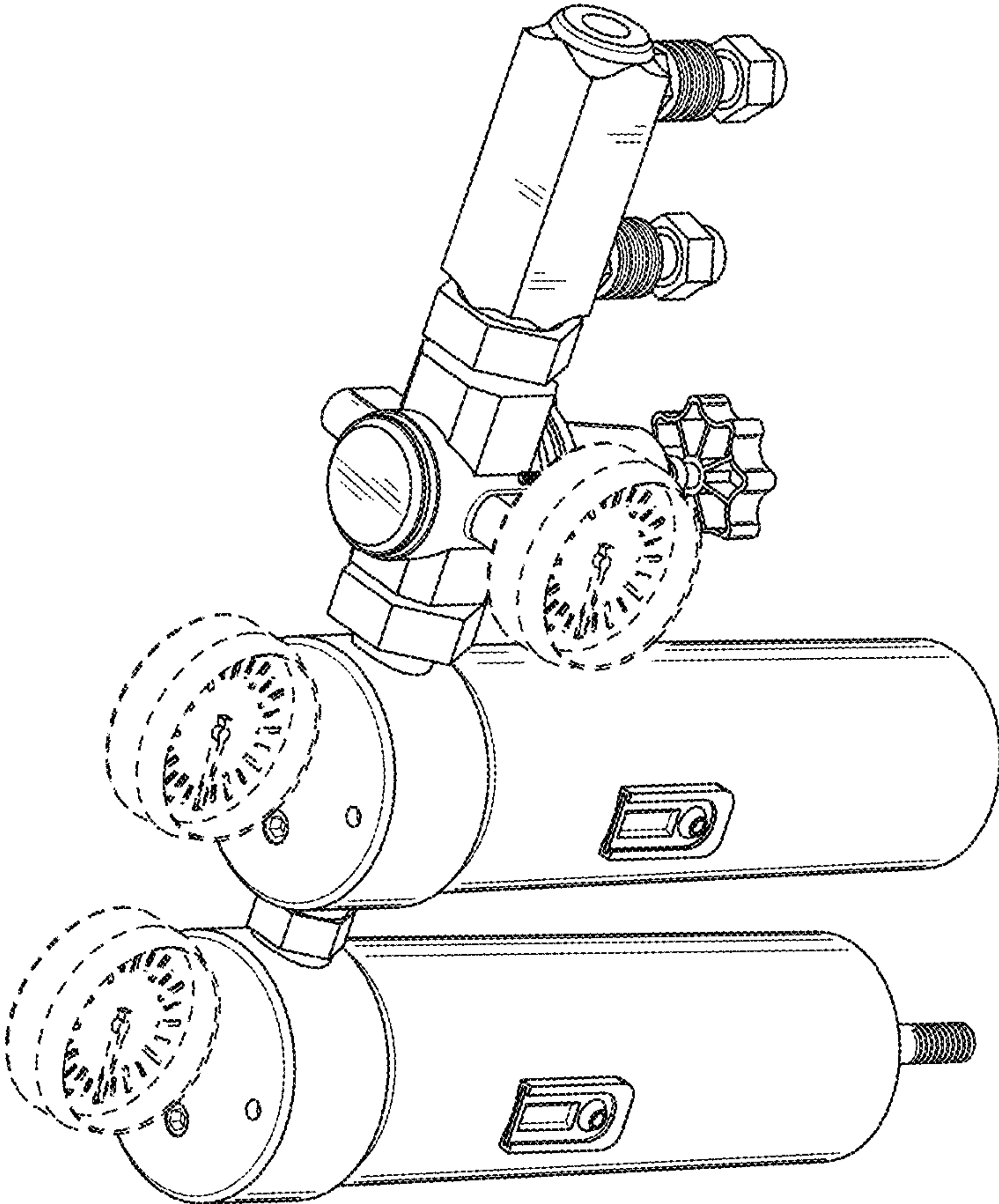


FIG. 1

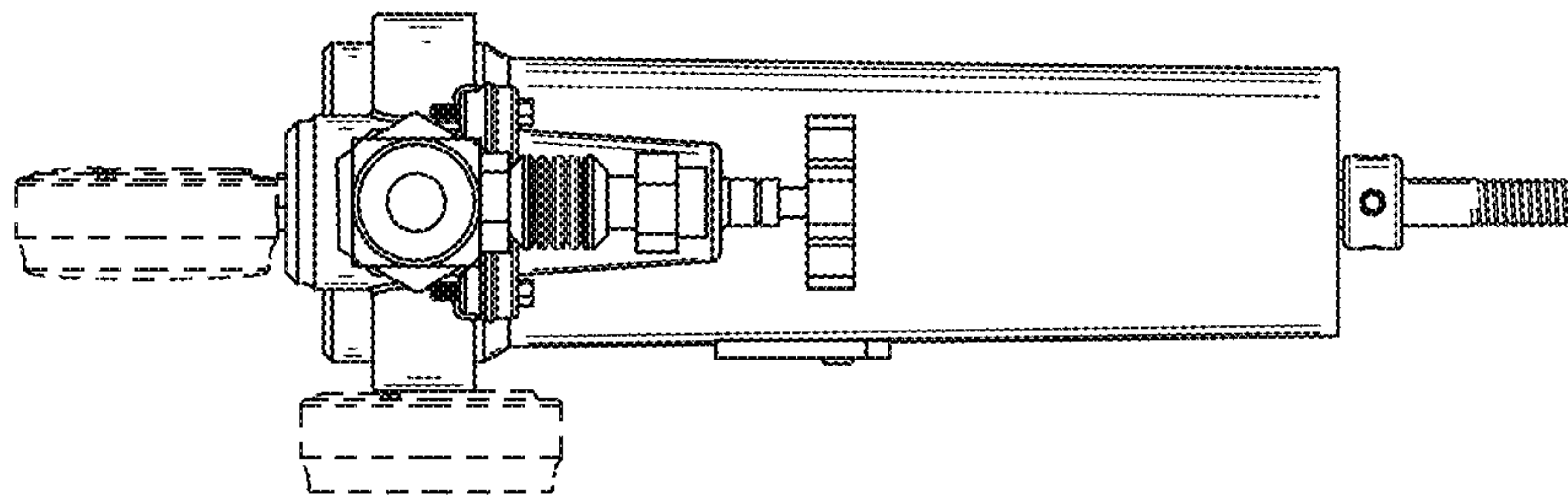


FIG. 3

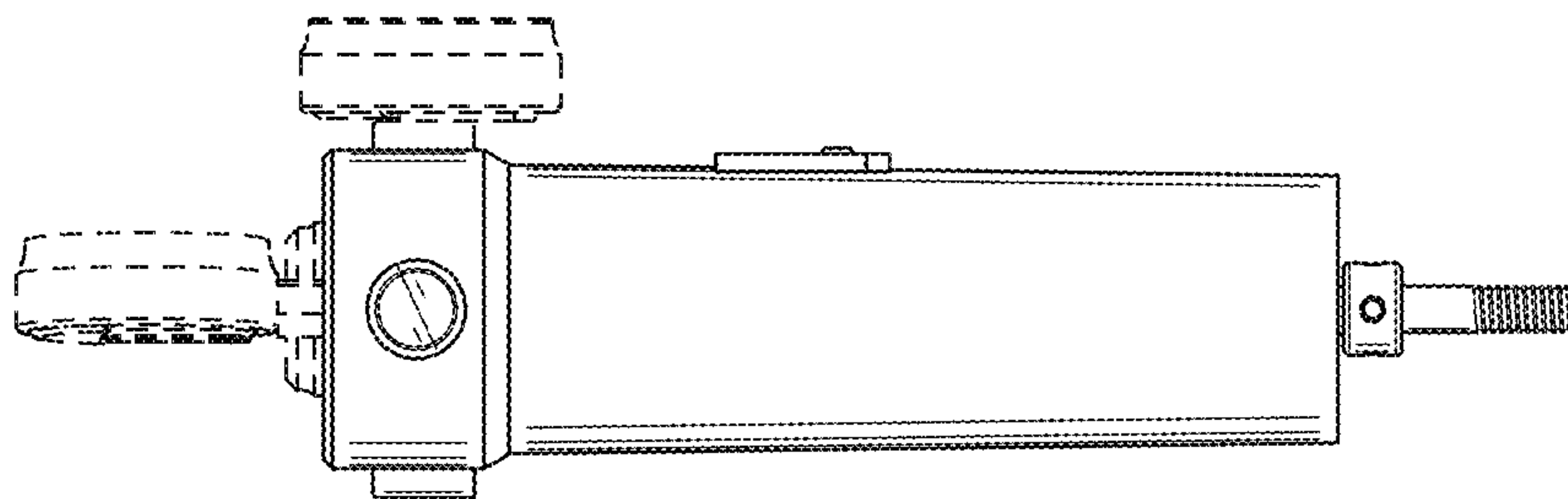


FIG. 2

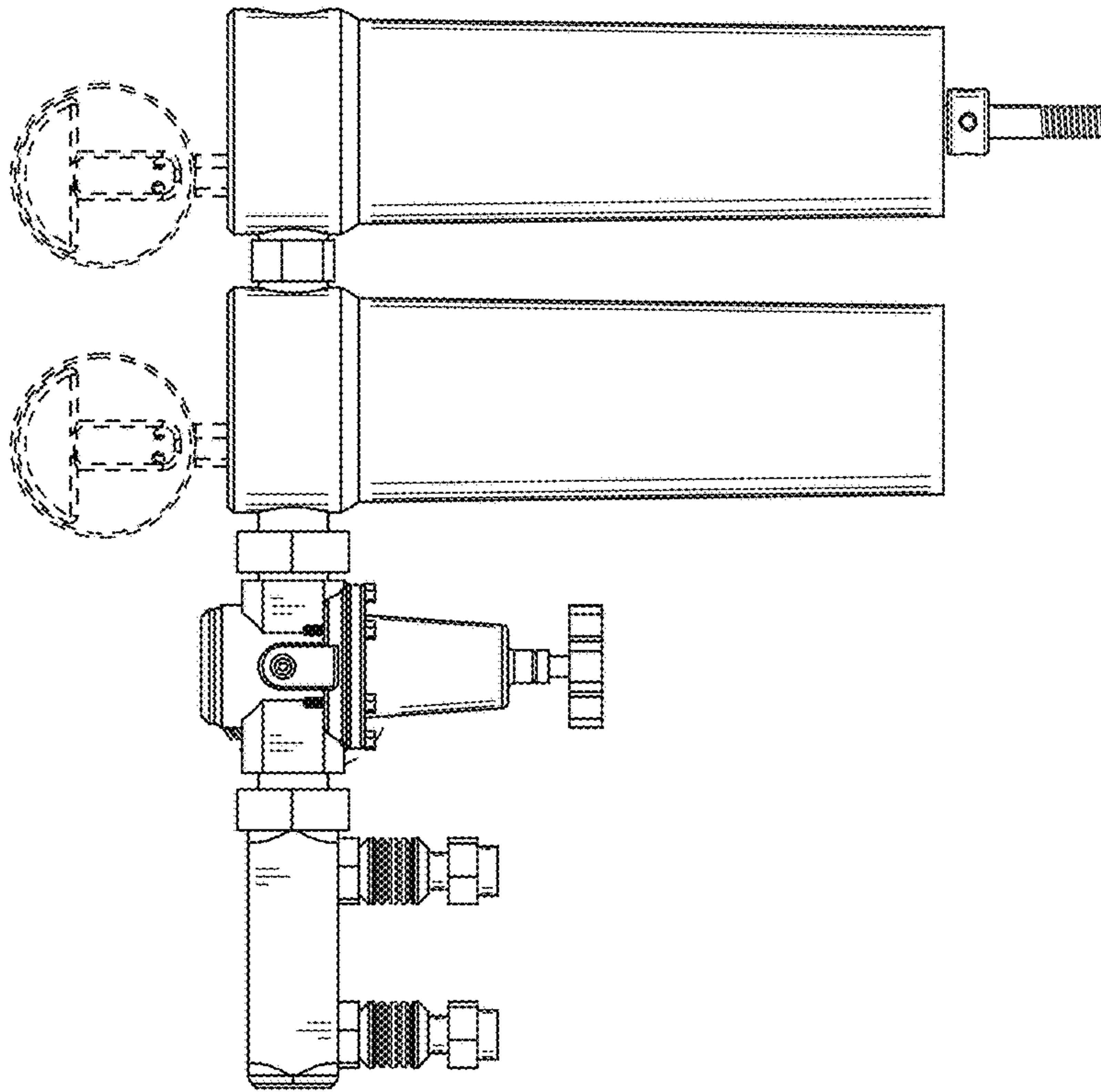


FIG. 5

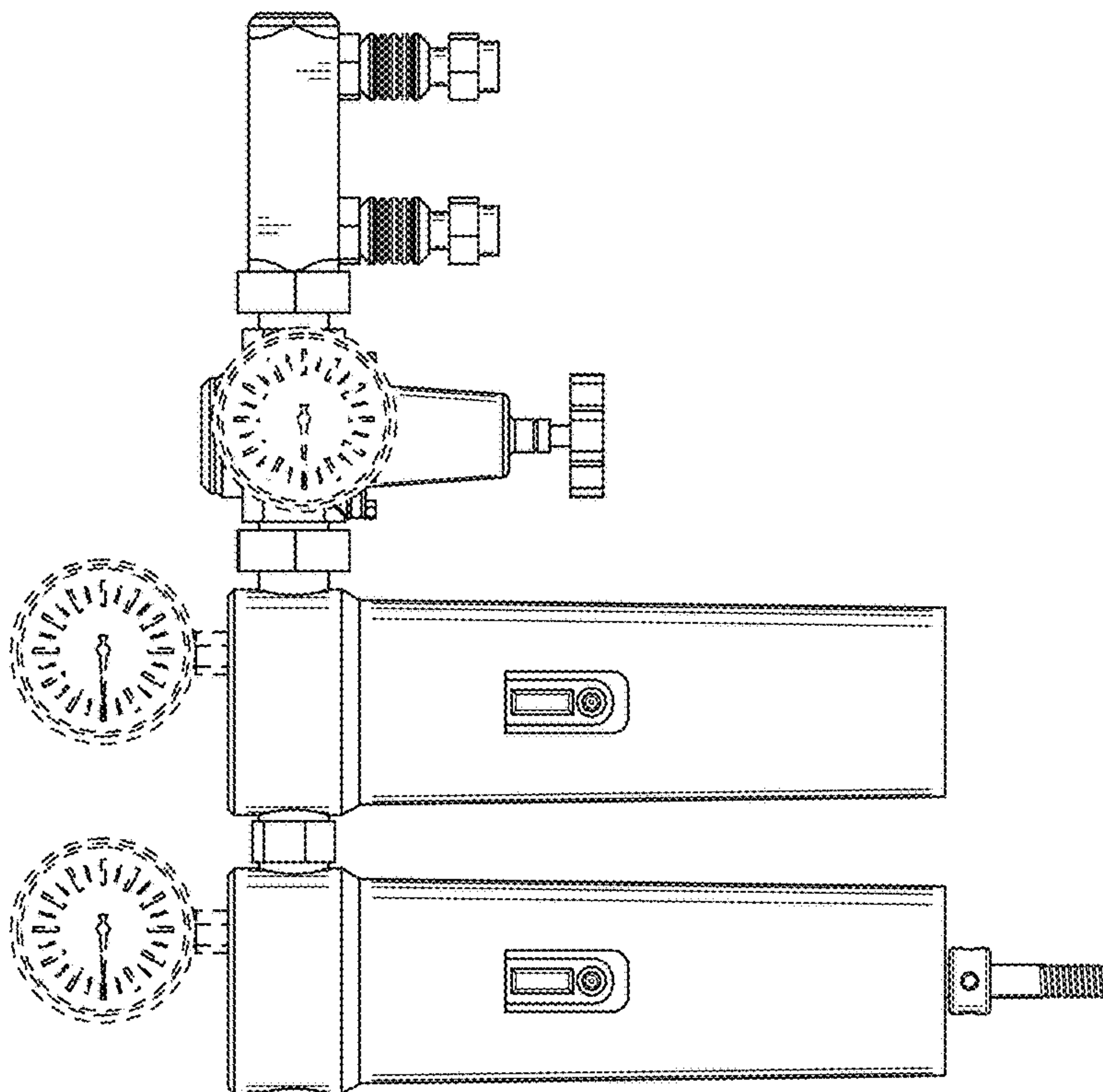


FIG. 4

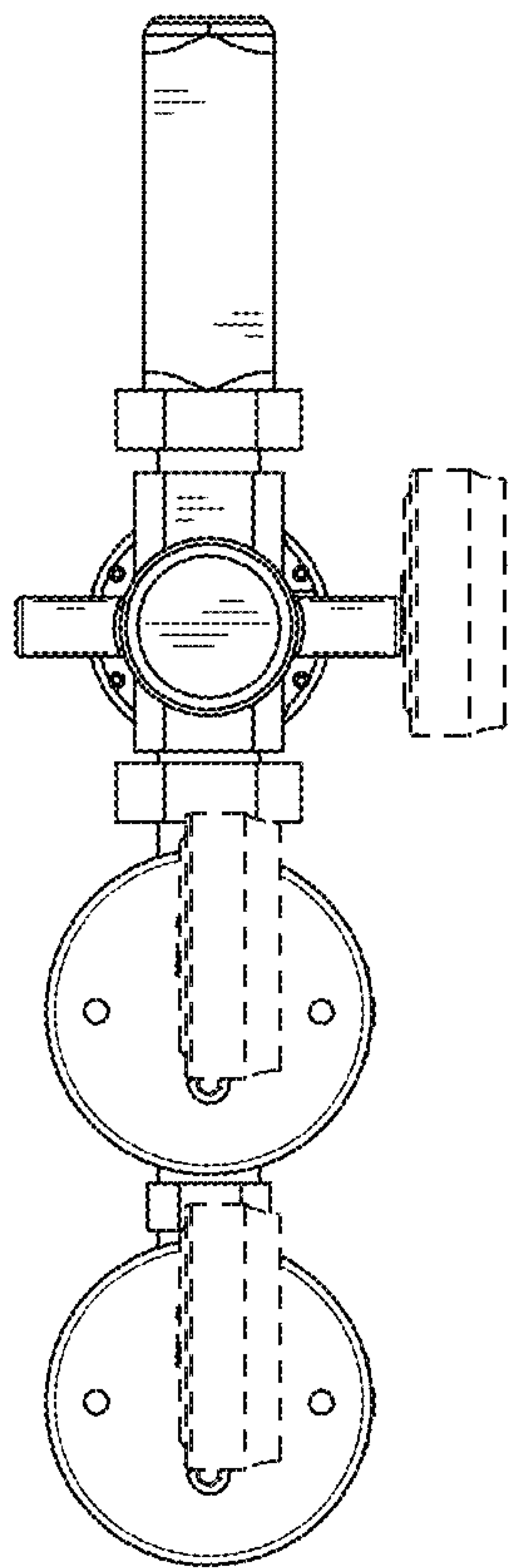


FIG. 6

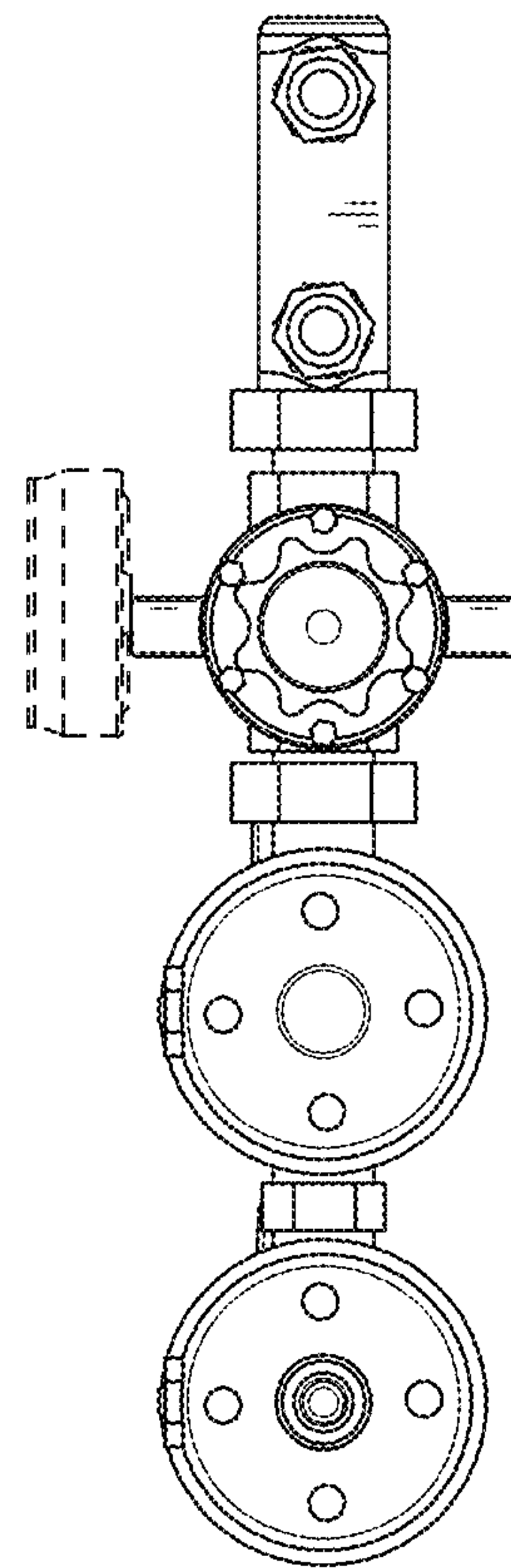


FIG. 7

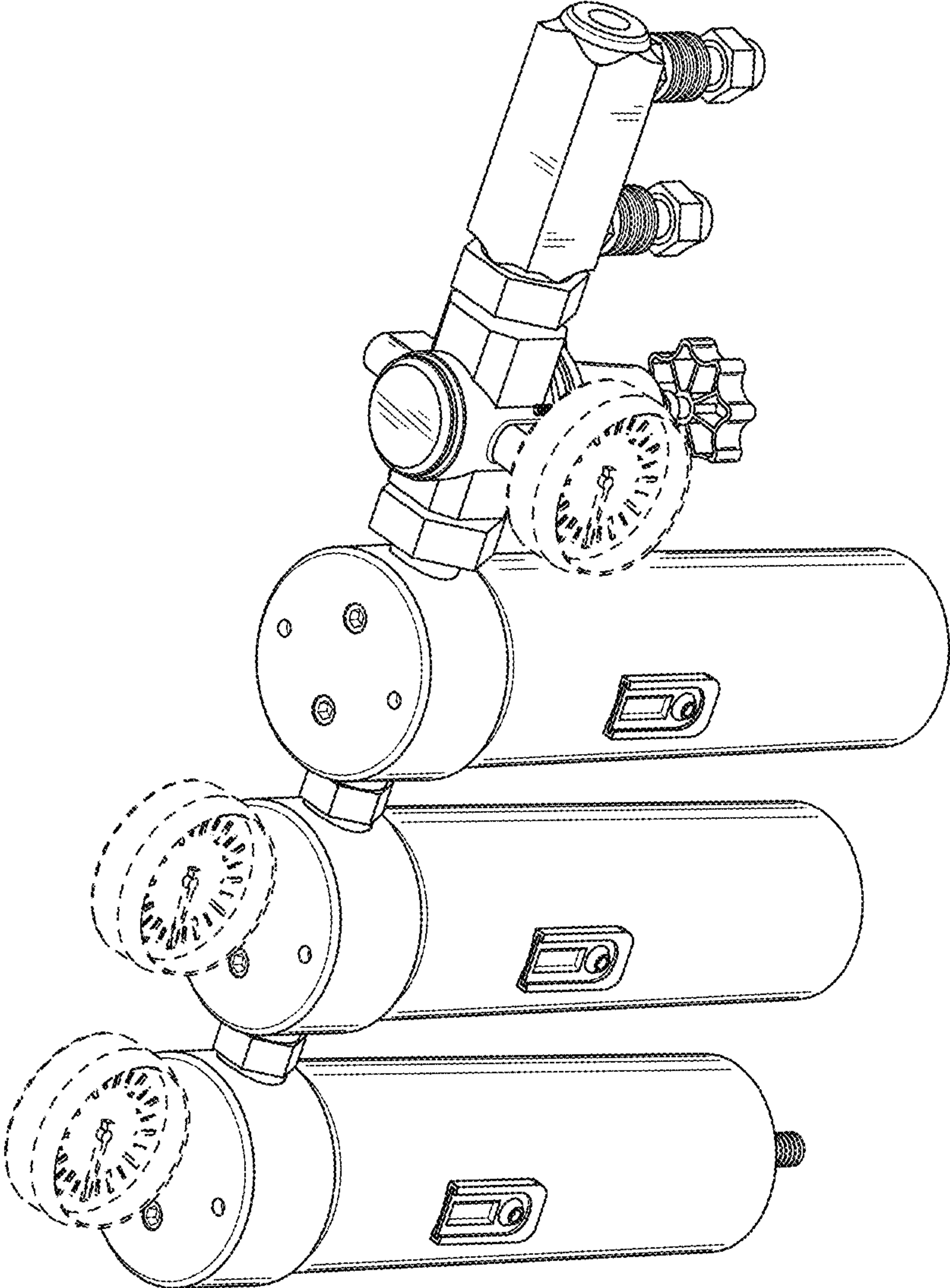


FIG. 8

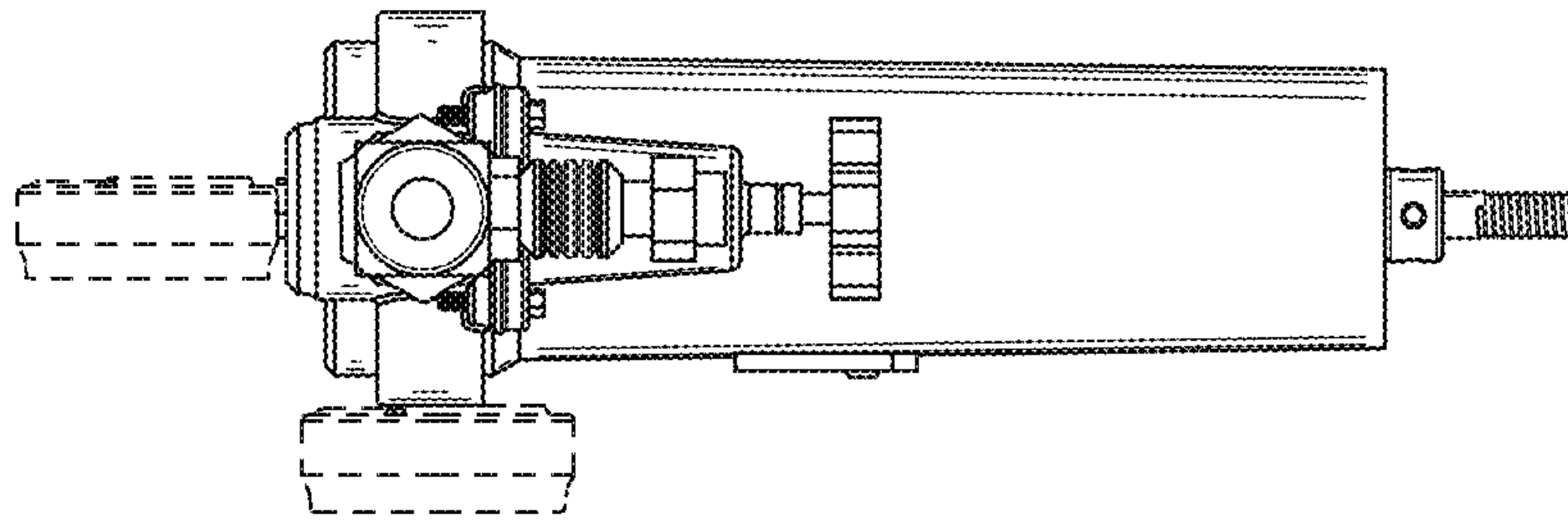


FIG. 10

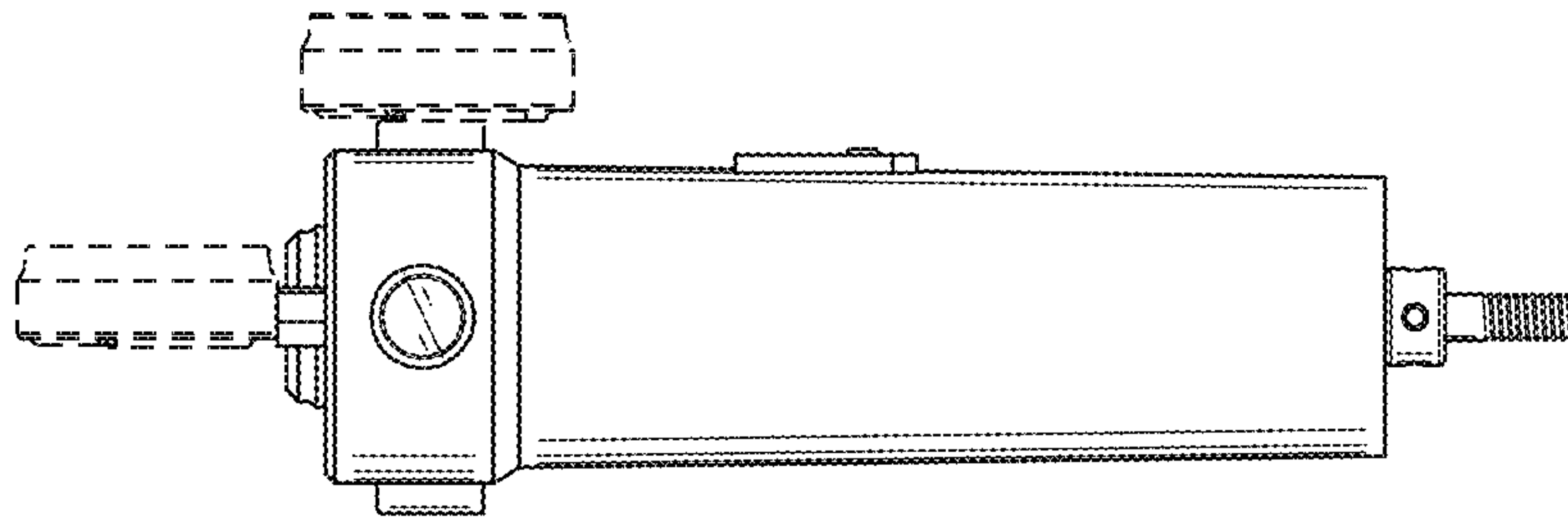


FIG. 9

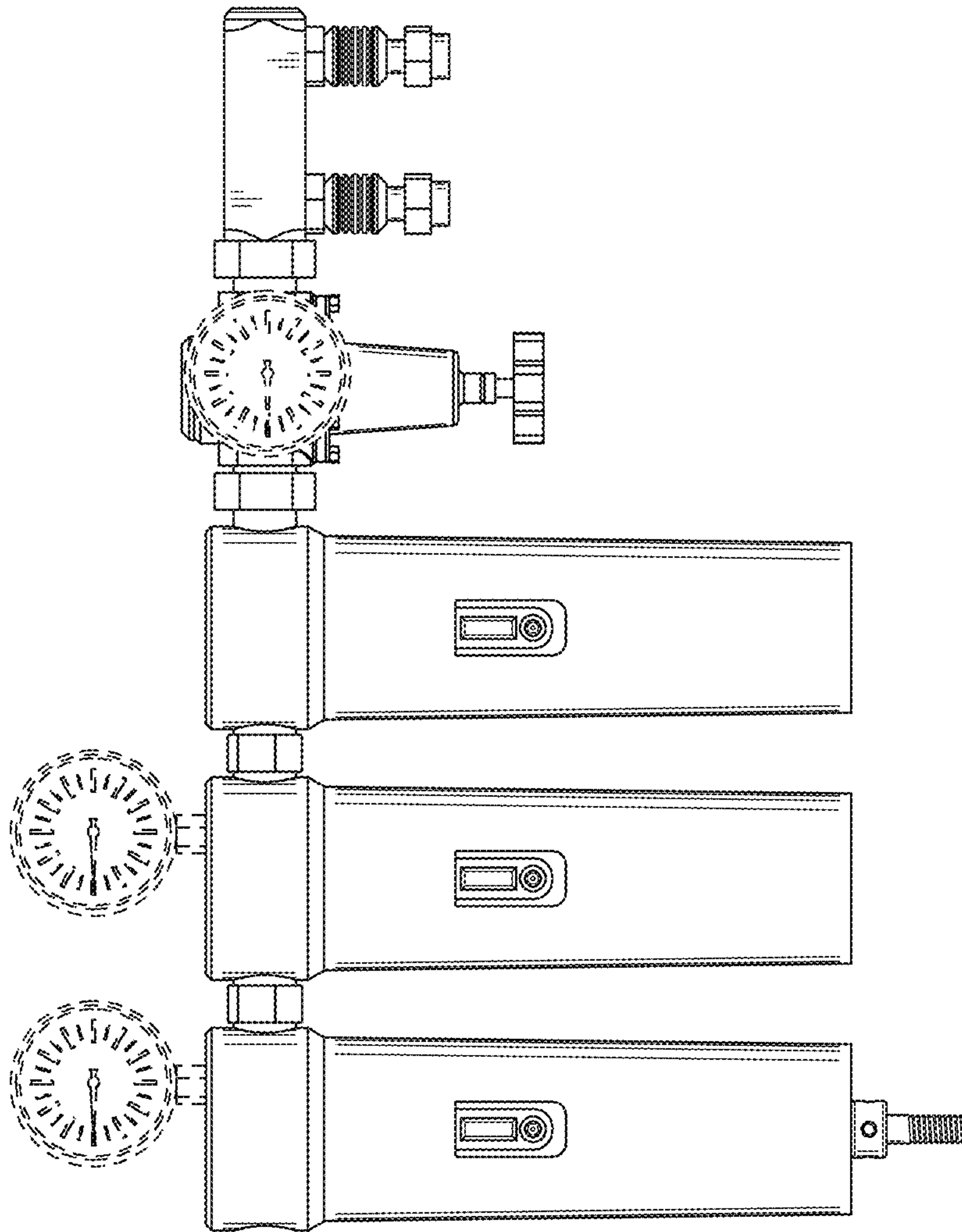


FIG. 11

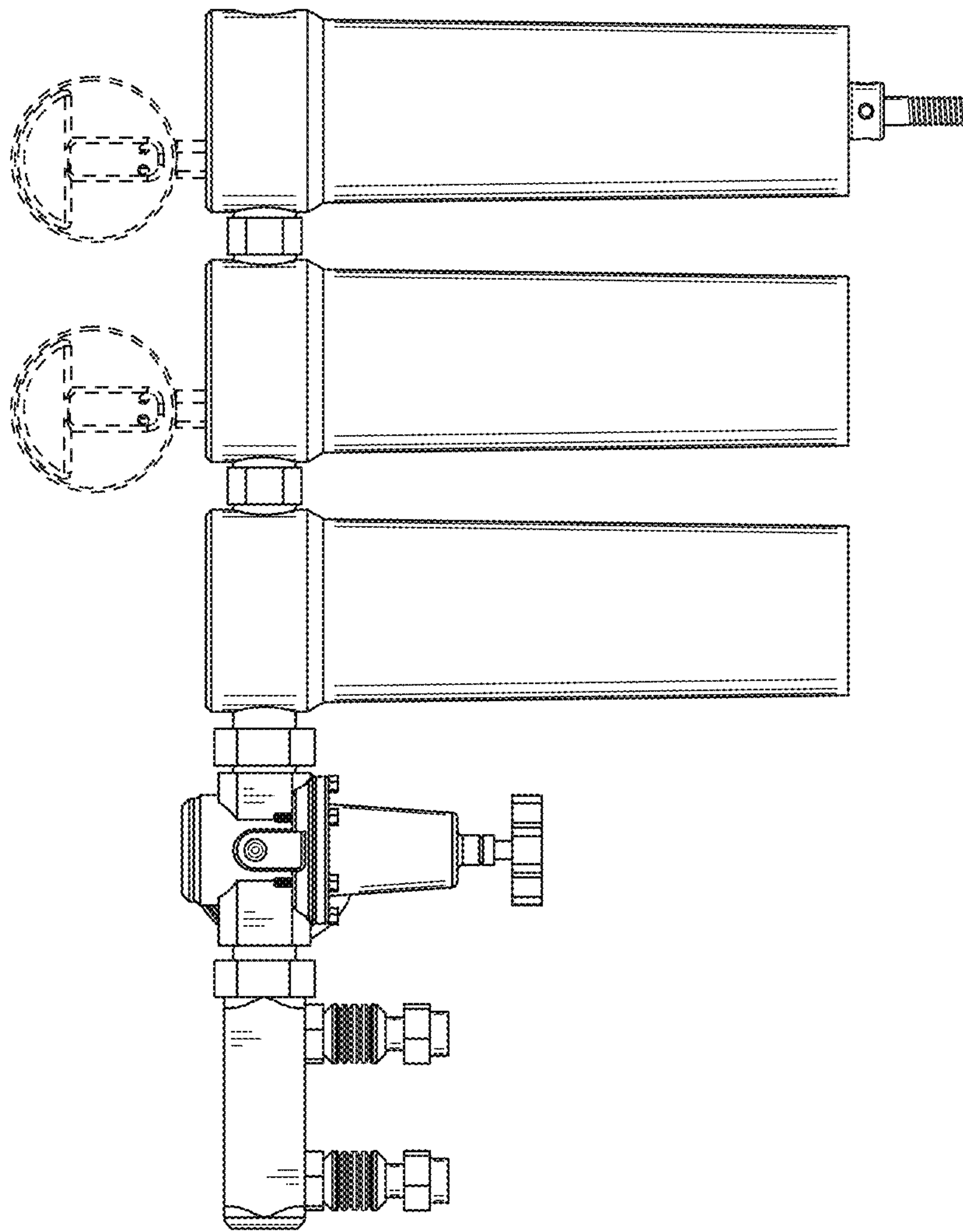


FIG. 12

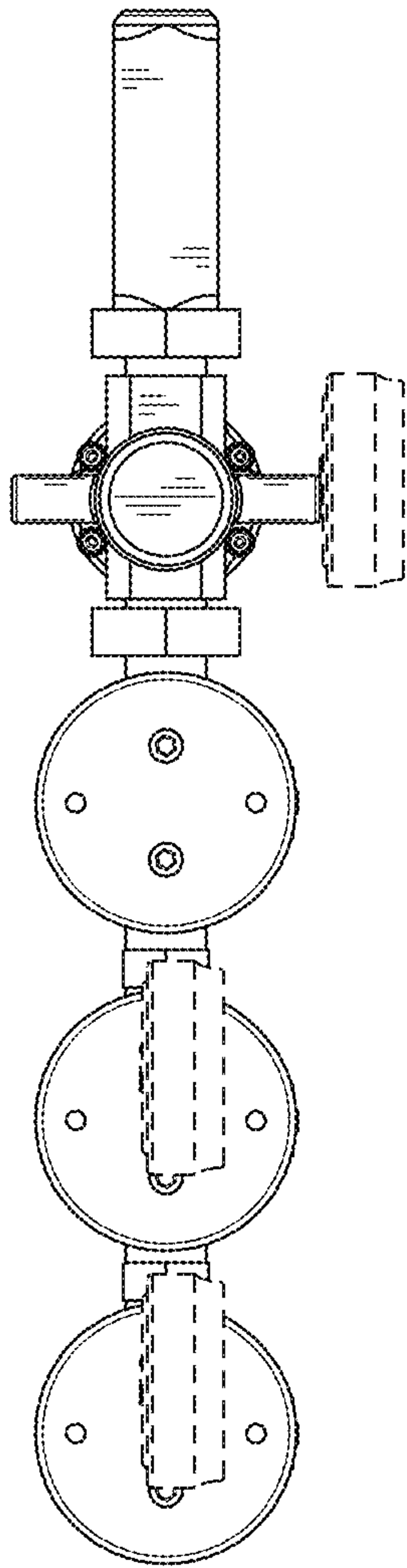


FIG. 13

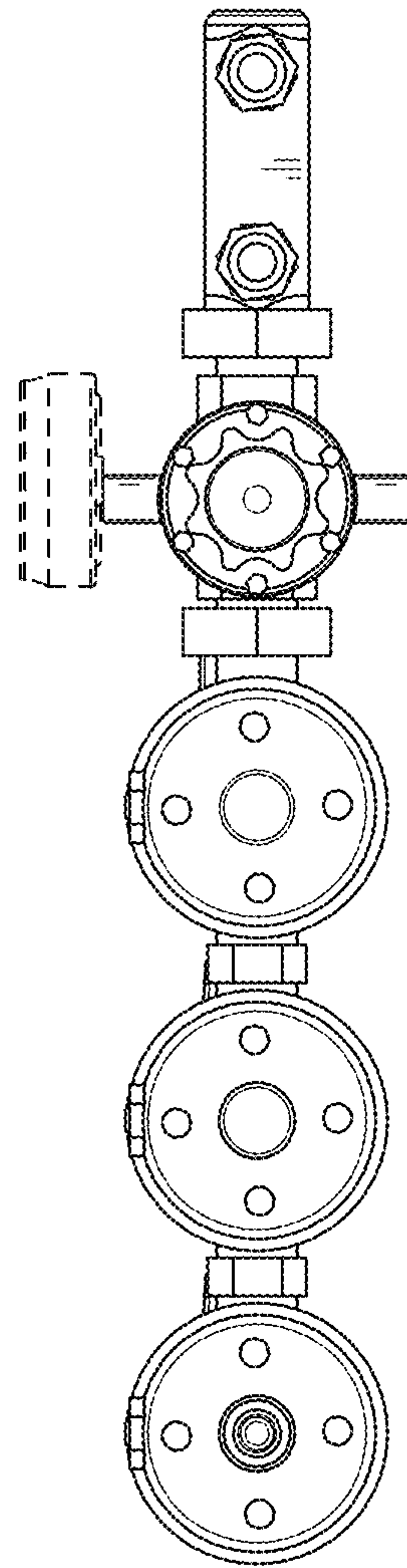


FIG. 14