



US00D793523S

(12) **United States Design Patent** (10) **Patent No.:** **US D793,523 S**  
**Adey et al.** (45) **Date of Patent:** **\*\* Aug. 1, 2017**

(54) **FILTER ASSEMBLY**

(71) Applicant: **Adey Holdings (2008) Limited**,  
Cheltenham (GB)

(72) Inventors: **Christopher Adey**, Cheltenham (GB);  
**Simon Downie**, Cheltenham (GB);  
**Kashem Pathan**, Worcestershire (GB)

(73) Assignee: **Adey Holdings (2008) Limited**,  
Cheltenham (GB)

(\*\*) Term: **15 Years**

(21) Appl. No.: **29/560,412**

(22) Filed: **Apr. 6, 2016**

**Related U.S. Application Data**

(63) Continuation of application No.  
PCT/GB2015/050667, filed on Mar. 6, 2015.

(51) **LOC (10) Cl.** ..... **23-01**

(52) **U.S. Cl.**  
USPC ..... **D23/209**

(58) **Field of Classification Search**  
USPC ..... D23/207, 209; 210/223, 512.1  
CPC ..... B04C 5/14; F16L 29/007; F16R 31/00  
See application file for complete search history.

(56) **References Cited**

**U.S. PATENT DOCUMENTS**

3,339,740	A	9/1967	Starzyk	
3,696,927	A	10/1972	Jakobsson et al.	
4,090,956	A *	5/1978	Benzon	B04C 5/12 209/727
4,544,483	A	10/1985	Arvai	
4,881,573	A	11/1989	Durant et al.	
5,201,552	A	4/1993	Hohmann et al.	
5,203,891	A *	4/1993	Lema	B01D 45/12 55/460
5,257,525	A	11/1993	Clarke	

D454,614	S *	3/2002	Marston	D23/207
D654,558	S *	2/2012	Zeng	D23/208
D675,705	S *	2/2013	Mallol	D23/207
D705,390	S *	5/2014	Okazaki	D23/207
2005/0167352	A1	8/2005	Burrows et al.	
2008/0000820	A1	1/2008	Mitchell	
2012/0067802	A1	3/2012	Irvin	

**FOREIGN PATENT DOCUMENTS**

BE	546074	A	10/1959
DE	4310795	C1	7/1994
EP	2453157	A2	5/2012
FR	2693662	A1	1/1994
GB	274729	A	7/1927
GB	737822	A	10/1955

(Continued)

*Primary Examiner* — Robin V Webster

(74) *Attorney, Agent, or Firm* — Shumaker Loop &  
Kendrick; Michael E. Dockins

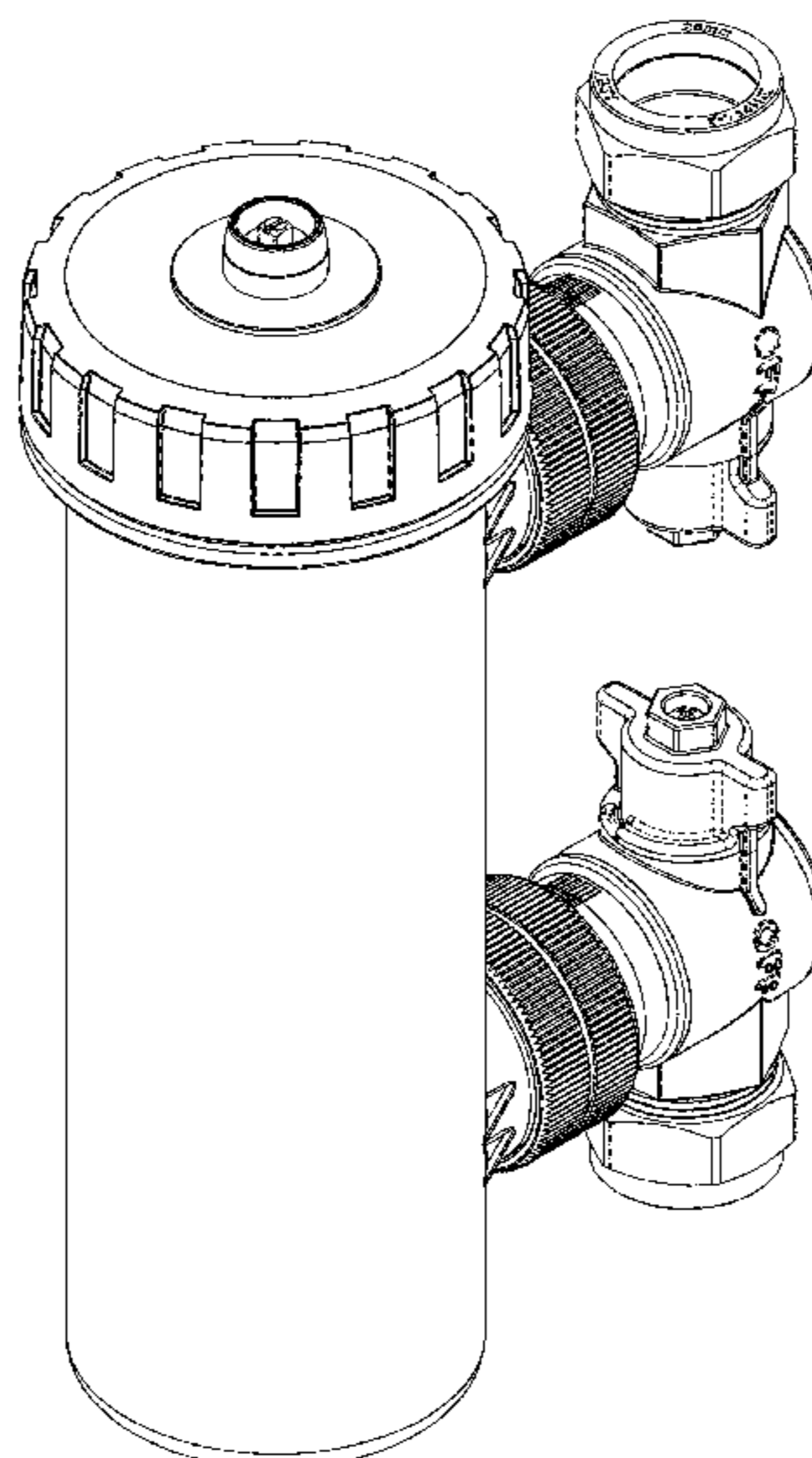
(57) **CLAIM**

The ornamental design for a filter assembly, as shown and described.

**DESCRIPTION**

FIG. 1 is a front perspective view of a filter assembly showing my new design;  
FIG. 2 is a front elevational view thereof;  
FIG. 3 is a rear elevational view thereof;  
FIG. 4 is a left-side elevational view thereof;  
FIG. 5 is a right-side elevational view thereof;  
FIG. 6 is a top plan view thereof; and,  
FIG. 7 is a bottom plan view thereof.  
The ornamental design which is claimed is shown in solid lines in the drawings. Features and portions in broken lines are presented for illustrative purposes and form no part of the claimed design.

**1 Claim, 7 Drawing Sheets**



(56)

**References Cited**

FOREIGN PATENT DOCUMENTS

GB	2349685	A	11/2000
GB	2469145	A	10/2010
GB	2491246	A	11/2012
WO	8402855	A1	8/1984
WO	9942198	A1	8/1999
WO	0045937	A1	8/2000
WO	2012073029	A1	6/2012

\* cited by examiner

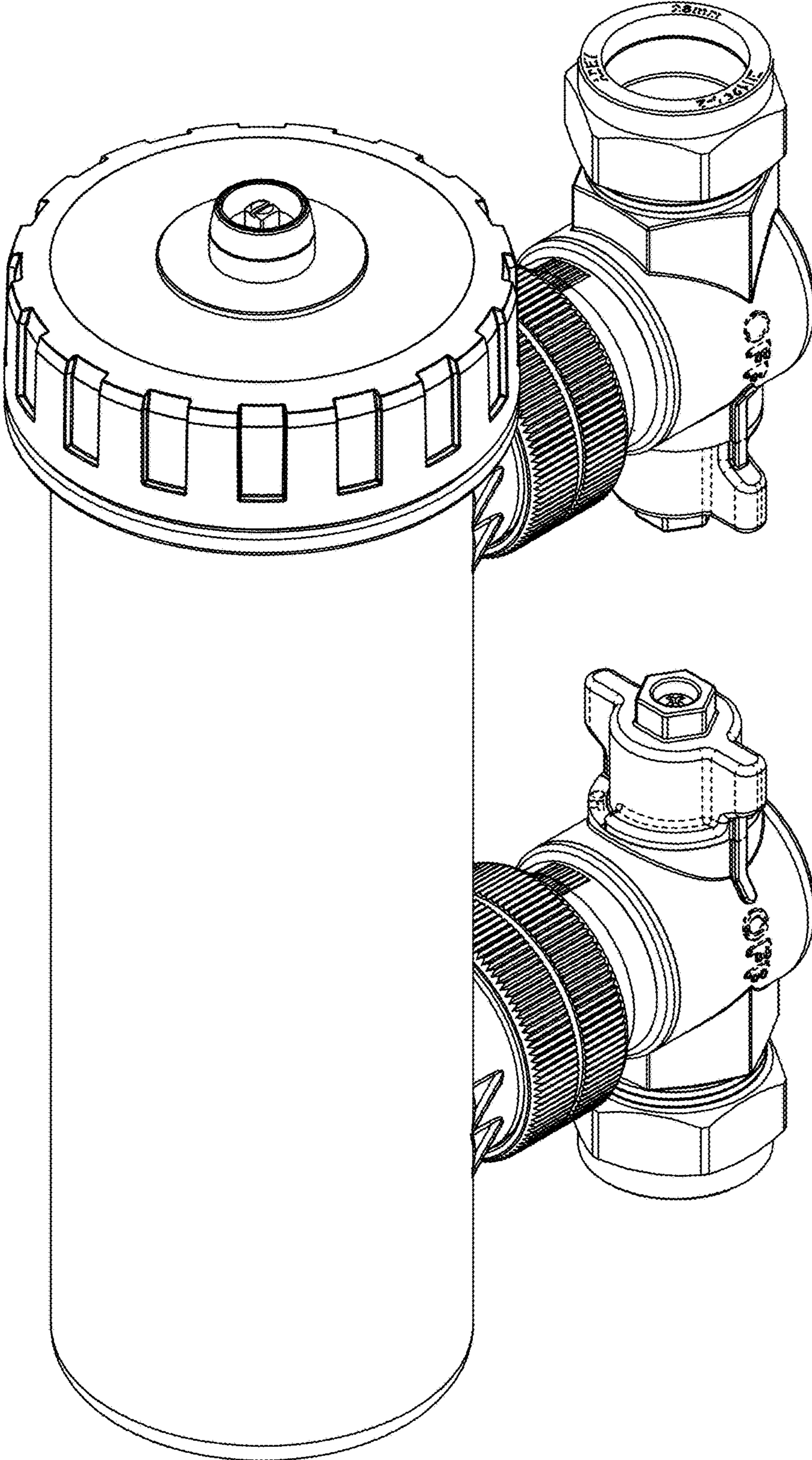


FIG. 1

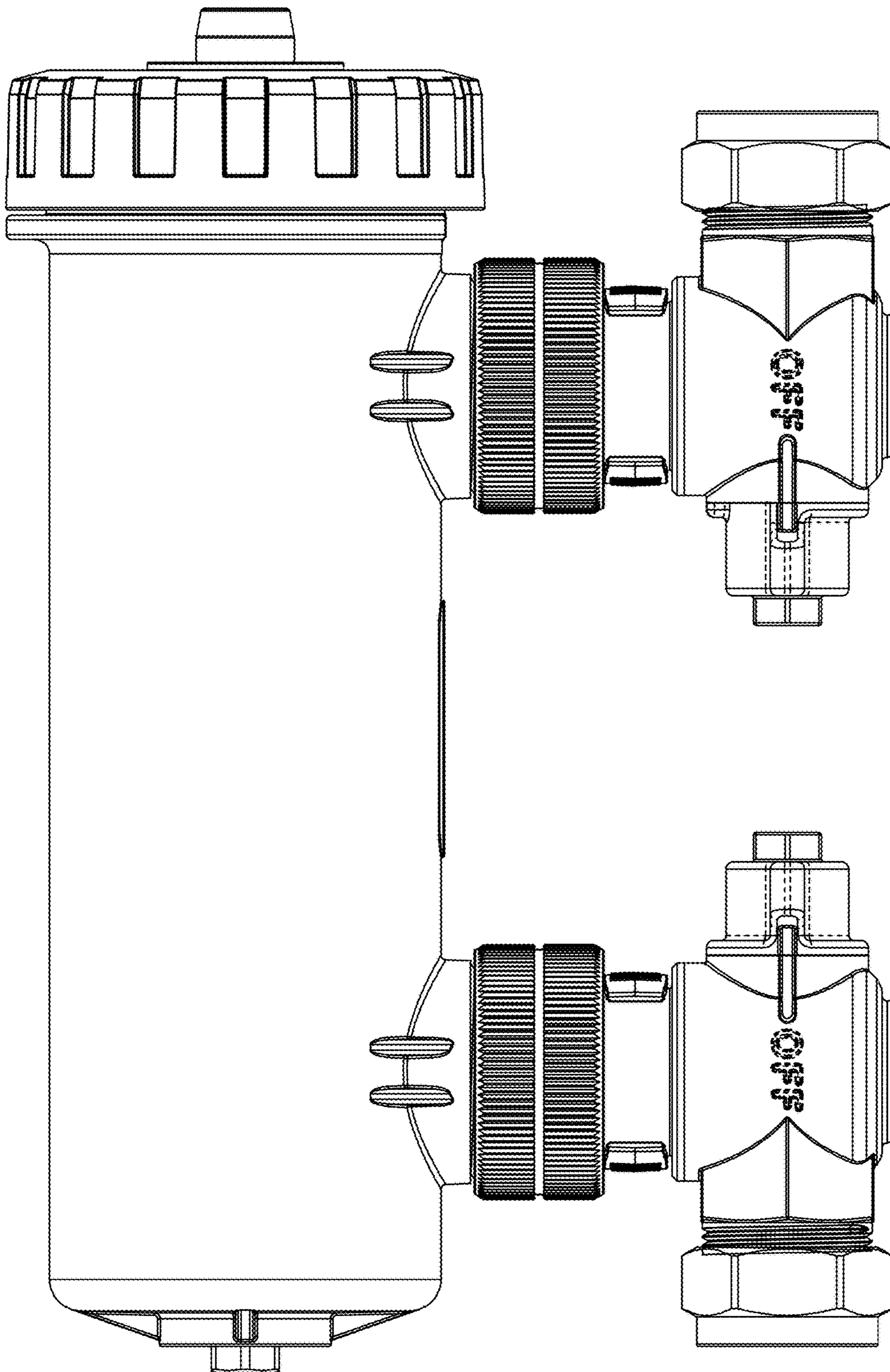


FIG. 2

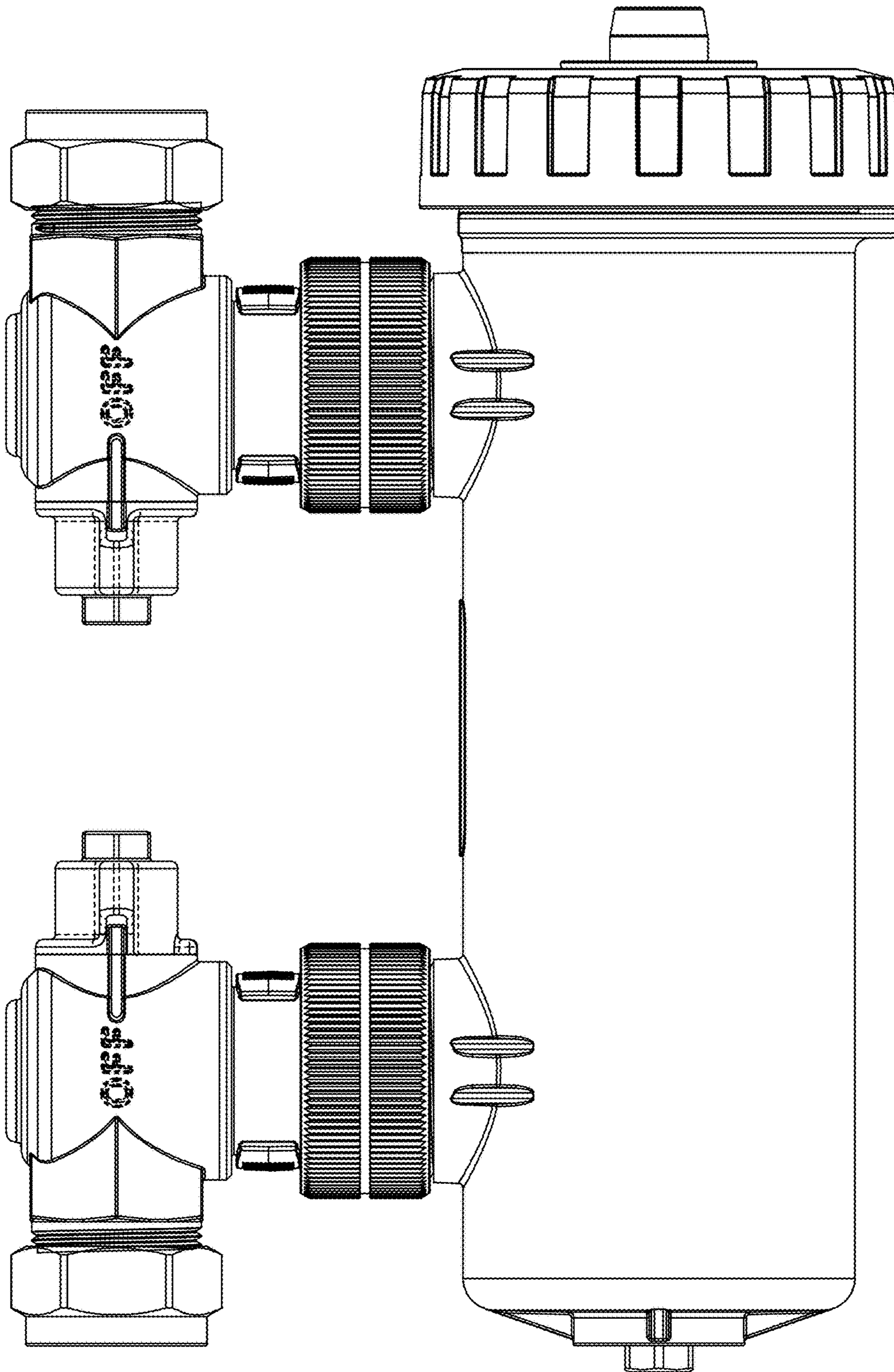


FIG. 3

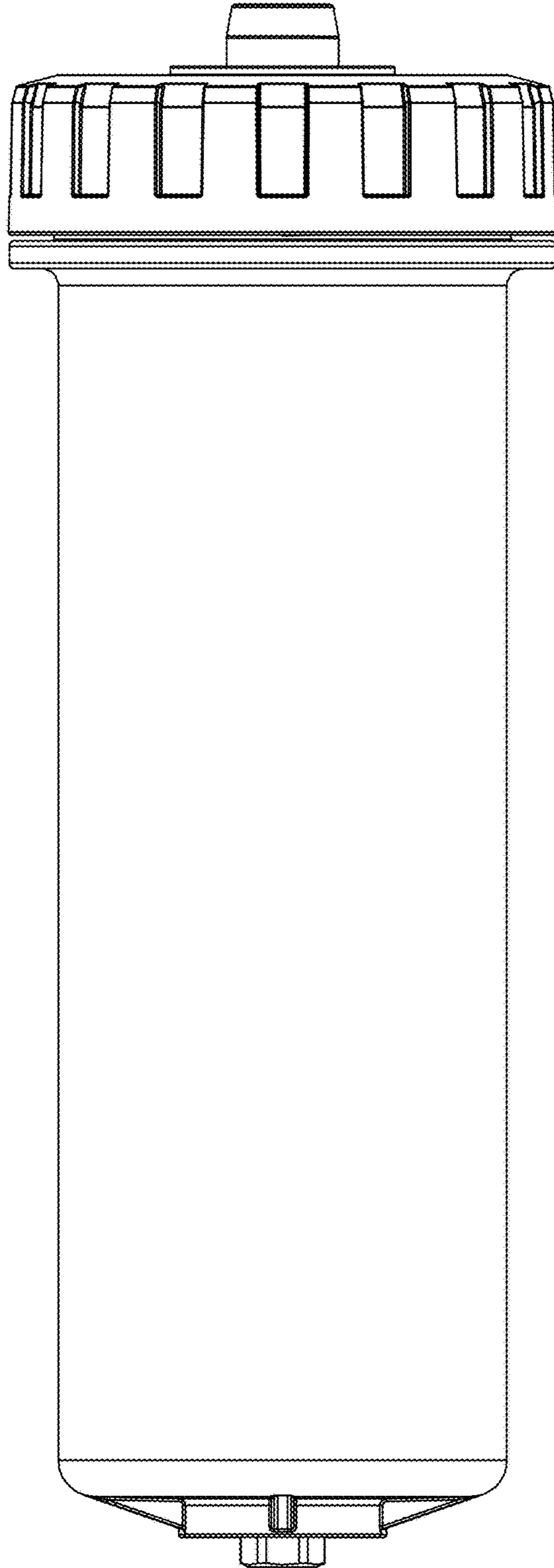


FIG. 4

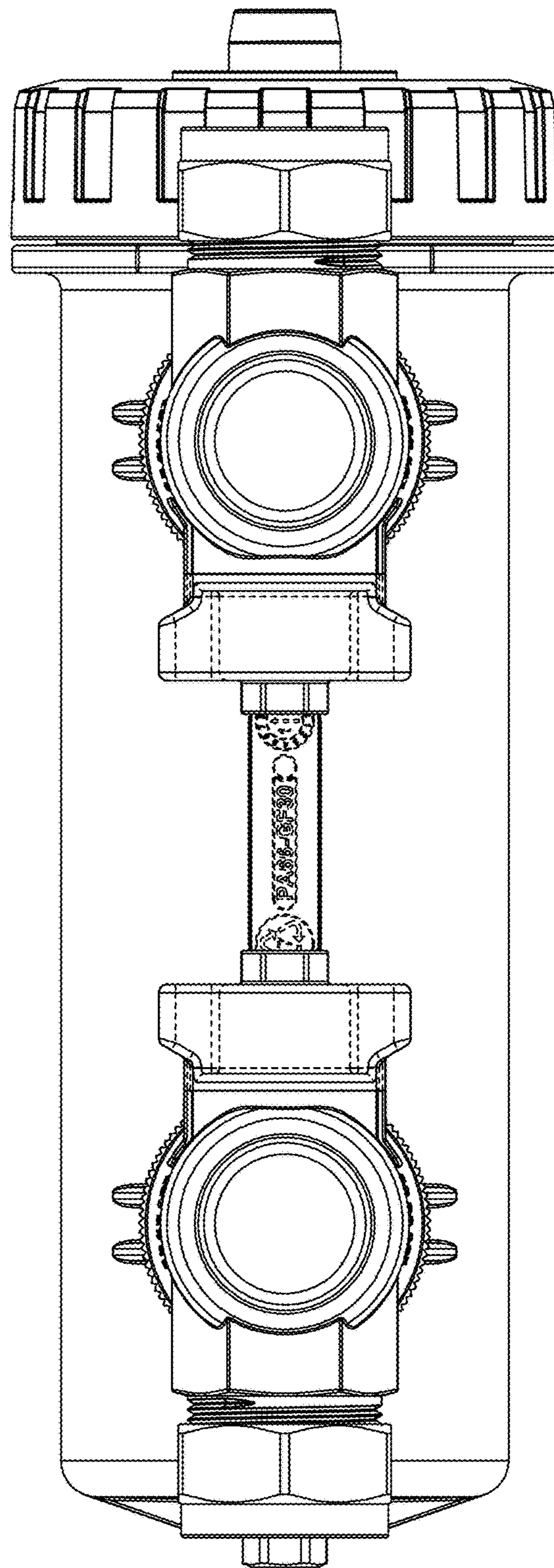


FIG. 5

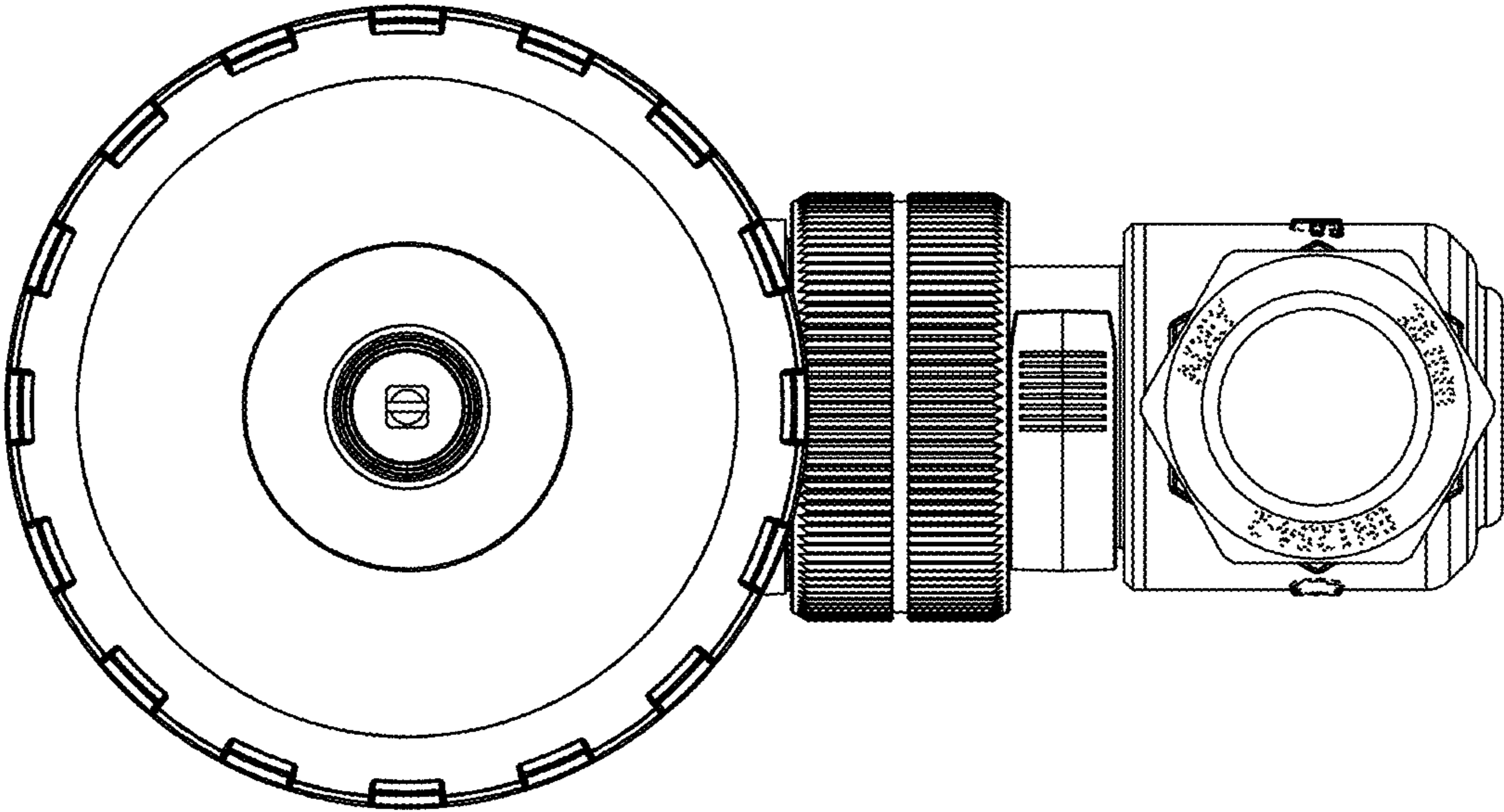
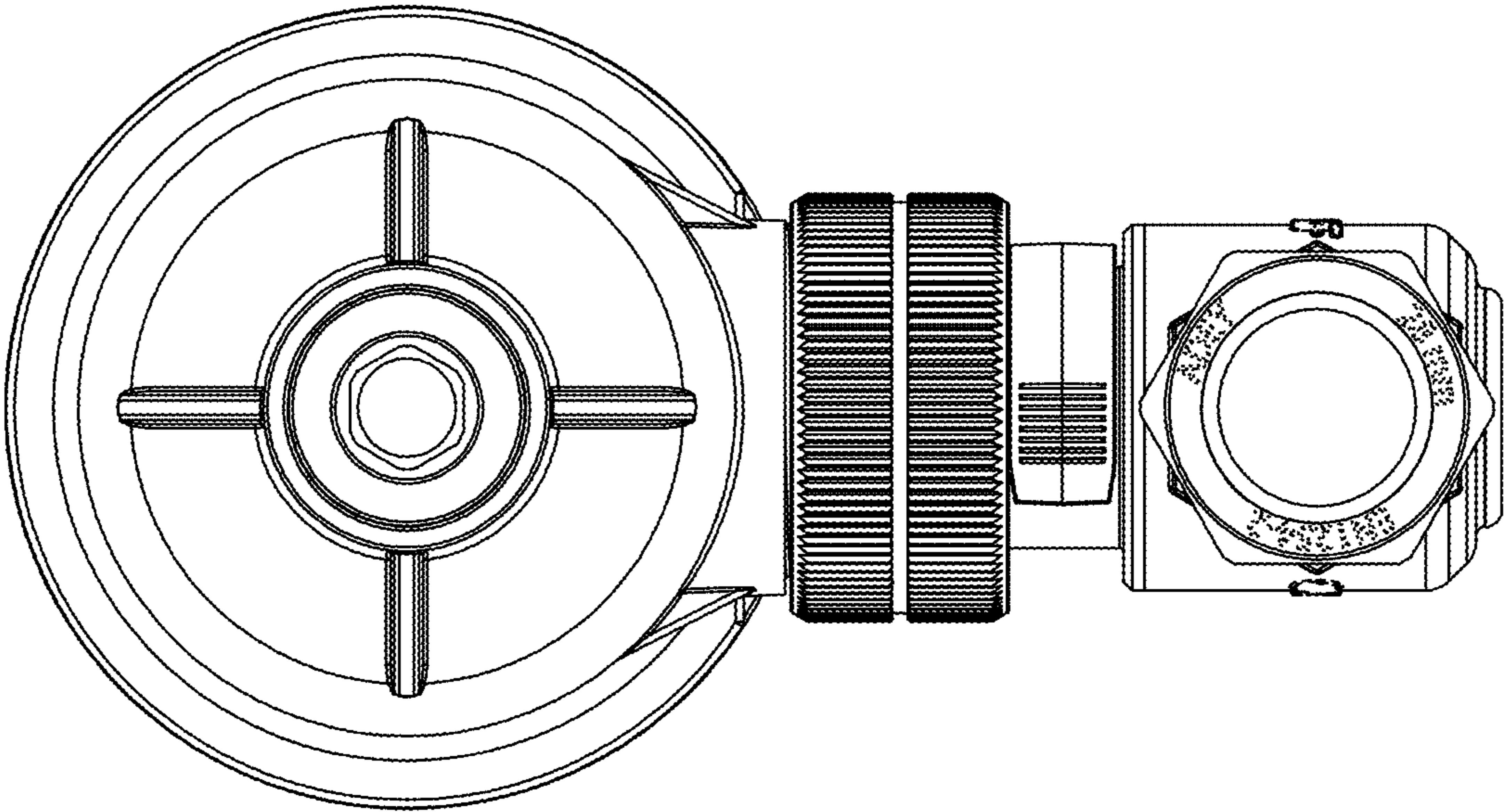


FIG. 6





**FIG. 7**