

US00D793522S

(12) **United States Design Patent** (10) **Patent No.:** **US D793,522 S**
Adey et al. (45) **Date of Patent:** **** Aug. 1, 2017**

(54) **FILTER ASSEMBLY** 5,203,891 A * 4/1993 Lema B01D 45/12
55/460
(71) Applicant: **Adey Holdings (2008) Limited,** 5,257,525 A 11/1993 Clarke
Cheltenham (GB) D454,614 S * 3/2002 Marston D23/207
D654,558 S * 2/2012 Zeng D23/208
(72) Inventors: **Christopher Adey,** Cheltenham (GB); D675,705 S * 2/2013 Mallol D23/207
Matthew Taylor, Cheltenham (GB); D705,390 S * 5/2014 Okazaki D23/207
Simon Downie, Cheltenham (GB) 2005/0167352 A1 8/2005 Burrows et al.
2008/0000820 A1 1/2008 Mitchell
2012/0067802 A1 3/2012 Irvin

(73) Assignee: **ADEY HOLDINGS (2008) LIMITED,**
Cheltenham (GB)

(**) Term: **15 Years**

(21) Appl. No.: **29/560,408**

(22) Filed: **Apr. 6, 2016**

FOREIGN PATENT DOCUMENTS

BE 546074 A 10/1959
DE 4310795 C1 7/1994
EP 2453157 A2 5/2012
FR 2693662 A1 1/1994

(Continued)

Primary Examiner — Robin V Webster

(74) *Attorney, Agent, or Firm* — Shumaker Loop &
Kendrick; Michael E. Dockins

Related U.S. Application Data

(63) Continuation of application No. 14/402,955, filed as
application No. PCT/GB2013/051330 on May 21,
2013.

(51) **LOC (10) Cl.** **23-01**

(52) **U.S. Cl.**
USPC **D23/209**

(58) **Field of Classification Search**
USPC D23/207, 209; 210/223, 512.1
CPC B04C 5/14; F16L 29/007; F16R 31/00
See application file for complete search history.

(56) **References Cited**

U.S. PATENT DOCUMENTS

3,339,740 A 9/1967 Starzyk
3,696,927 A 10/1972 Jakobsson et al.
4,090,956 A * 5/1978 Benzon B04C 5/12
209/727
4,544,483 A 10/1985 Arvai
4,881,573 A 11/1989 Durant et al.
5,201,552 A 4/1993 Hohmann et al.

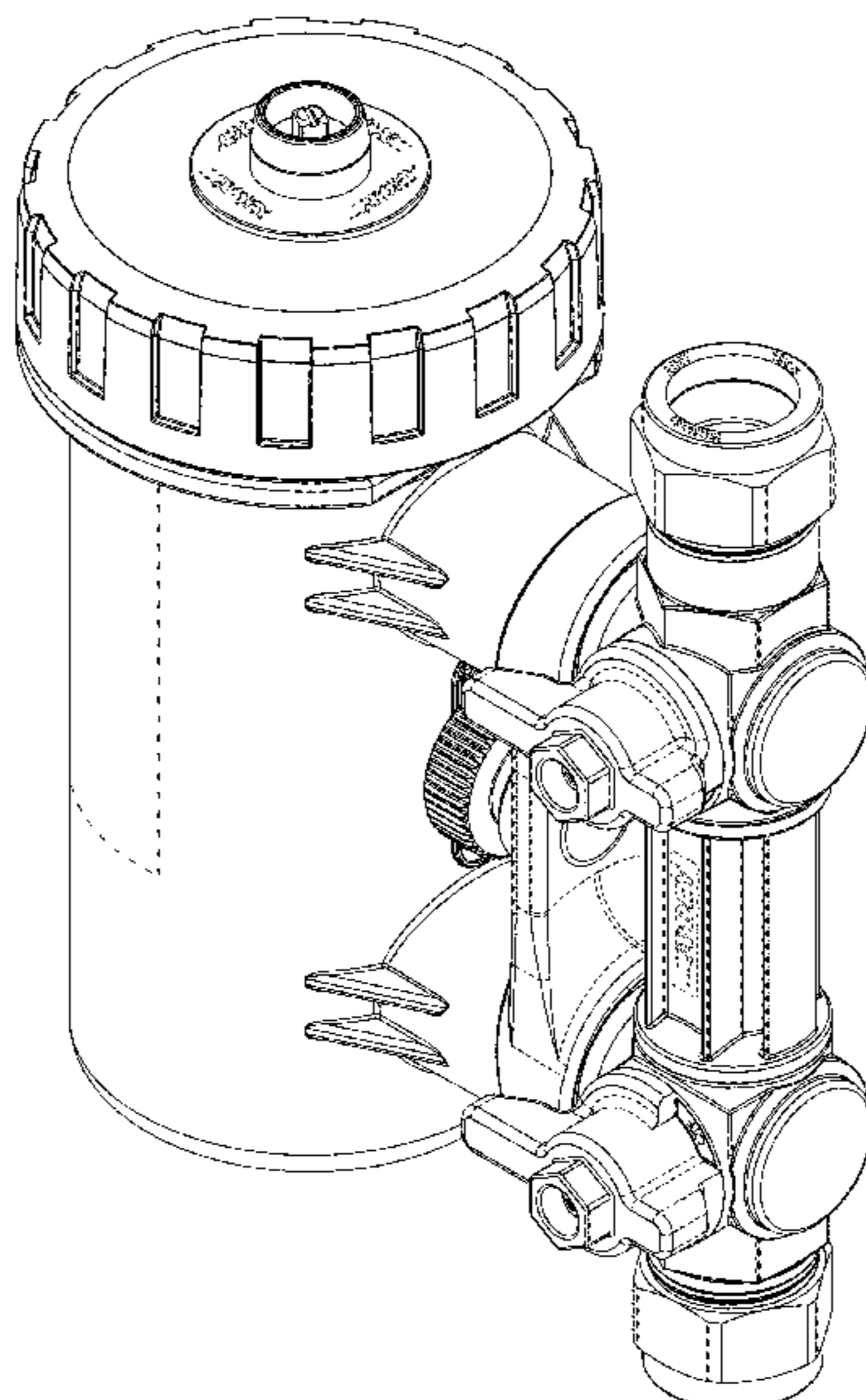
(57) **CLAIM**

The ornamental design for a filter assembly, as shown and
described.

DESCRIPTION

FIG. 1 is a front-right perspective view of a filter assembly
showing my new design;
FIG. 2 is a front elevational view thereof;
FIG. 3 is a rear elevational view thereof;
FIG. 4 is a left-side elevational view thereof;
FIG. 5 is a right-side elevational view thereof;
FIG. 6 is a top plan view thereof;
FIG. 7 is a bottom plan view thereof; and,
FIG. 8 is a front-left perspective view thereof.
The ornamental design which is claimed is shown in solid
lines in the drawings. Features and portions in broken lines
are presented for illustrative purposes and form no part of
the claimed design.

1 Claim, 8 Drawing Sheets



(56)

References Cited

FOREIGN PATENT DOCUMENTS

| | | | |
|----|------------|----|---------|
| GB | 274729 | A | 7/1927 |
| GB | 737822 | A | 10/1955 |
| GB | 2349685 | A | 11/2000 |
| GB | 2469145 | A | 10/2010 |
| GB | 2491246 | A | 11/2012 |
| WO | 8402855 | A1 | 8/1984 |
| WO | 9942198 | A1 | 8/1999 |
| WO | 0045937 | A1 | 8/2000 |
| WO | 2012073029 | A1 | 6/2012 |

* cited by examiner

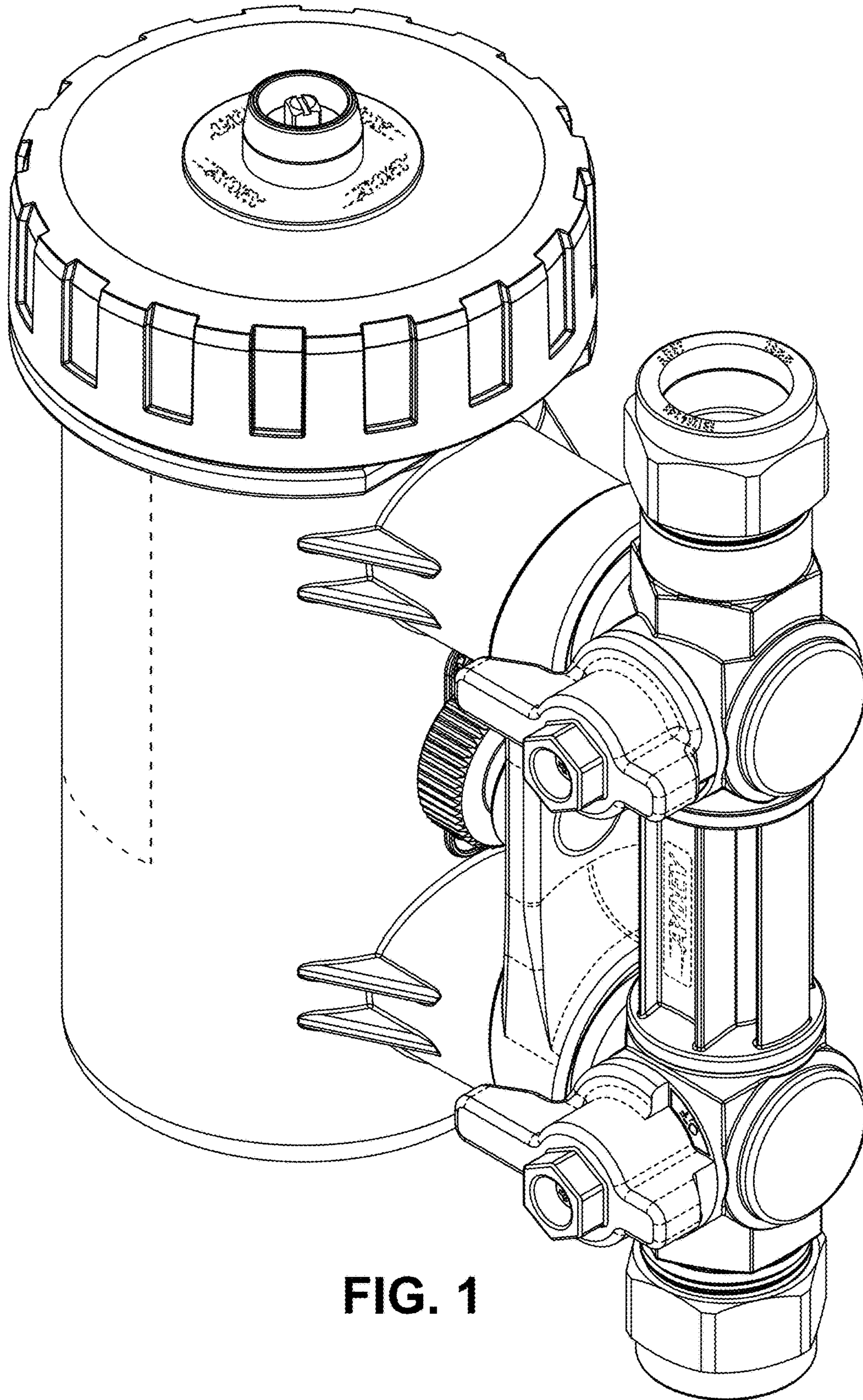


FIG. 1

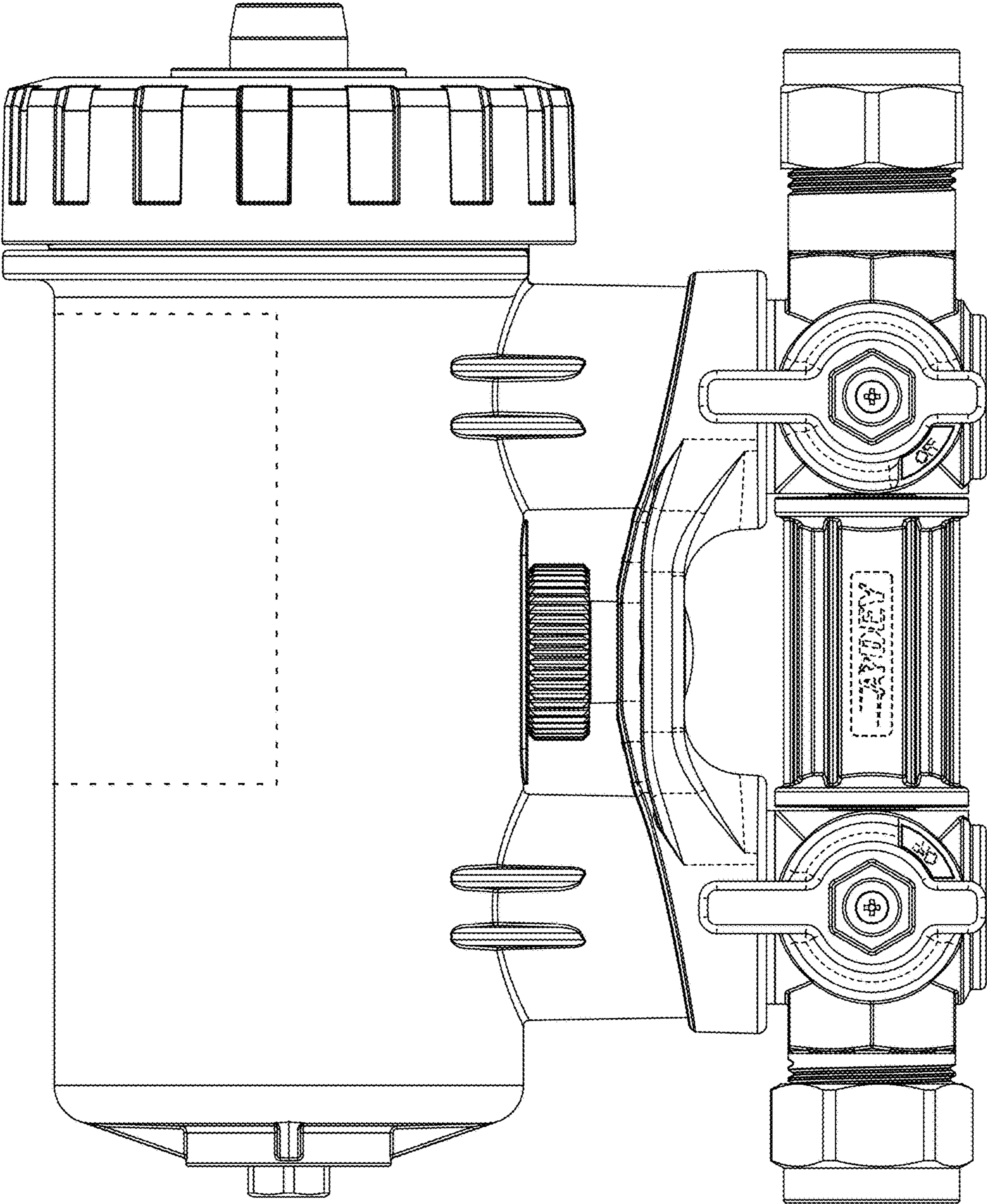


FIG. 2

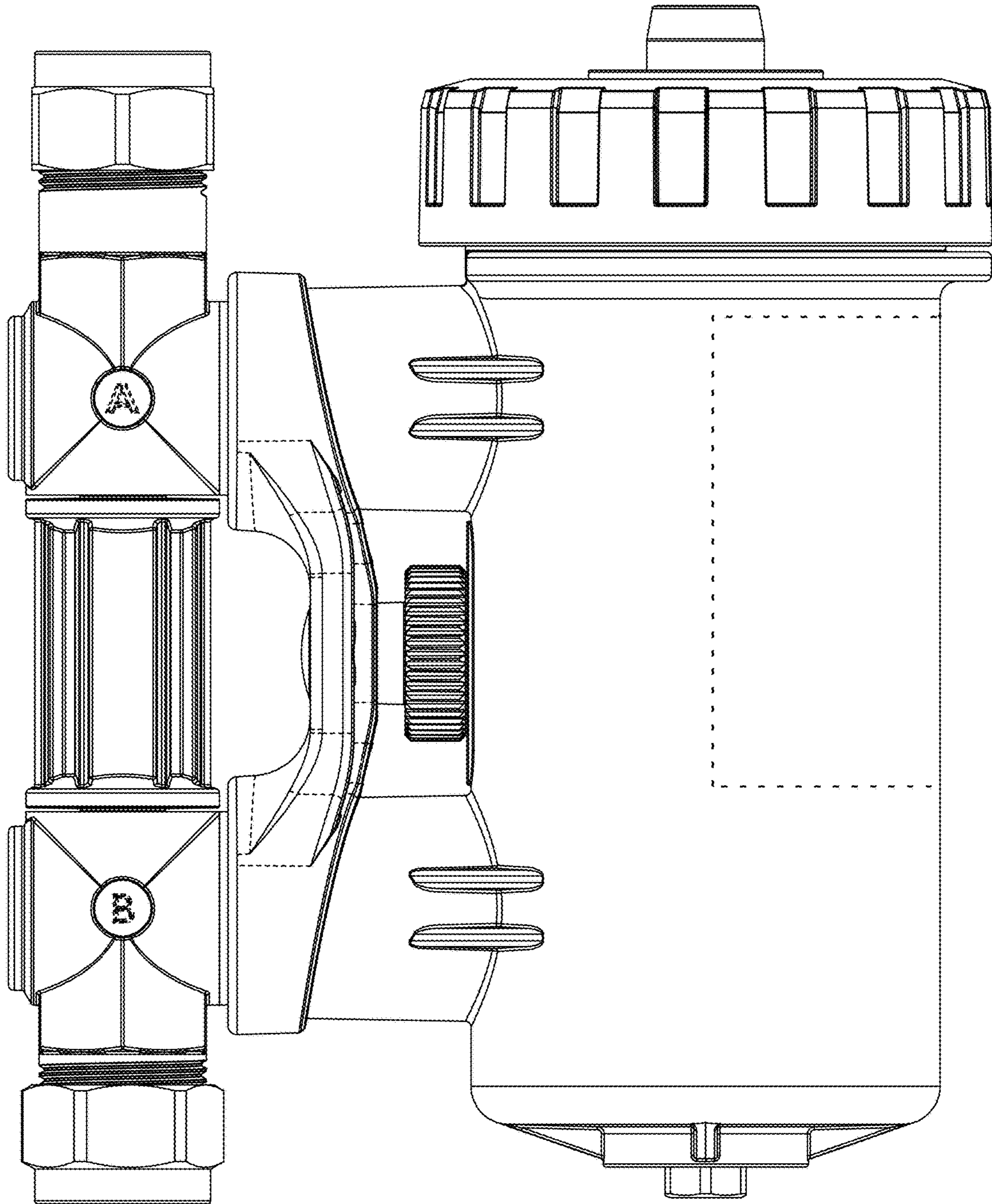


FIG. 3

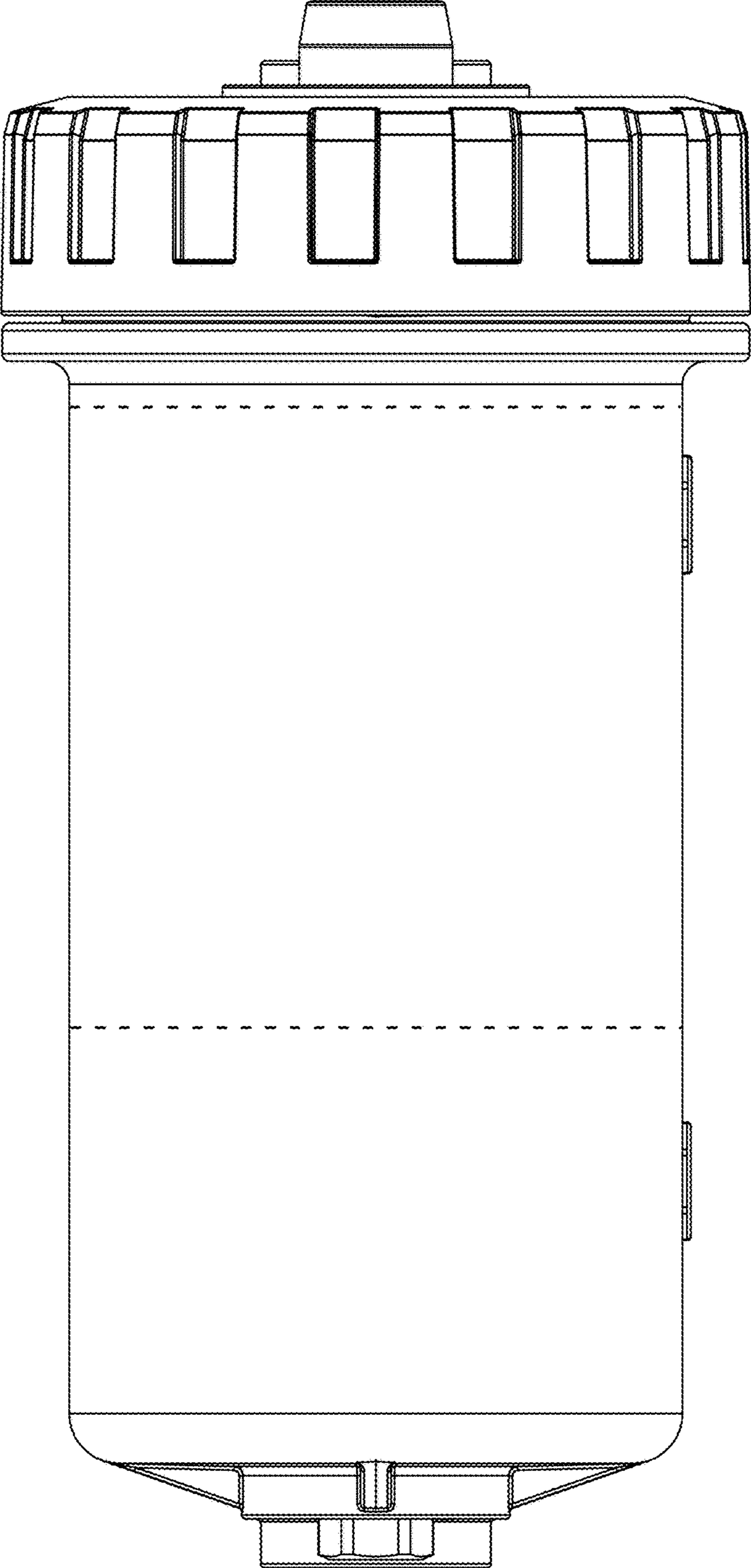


FIG. 4

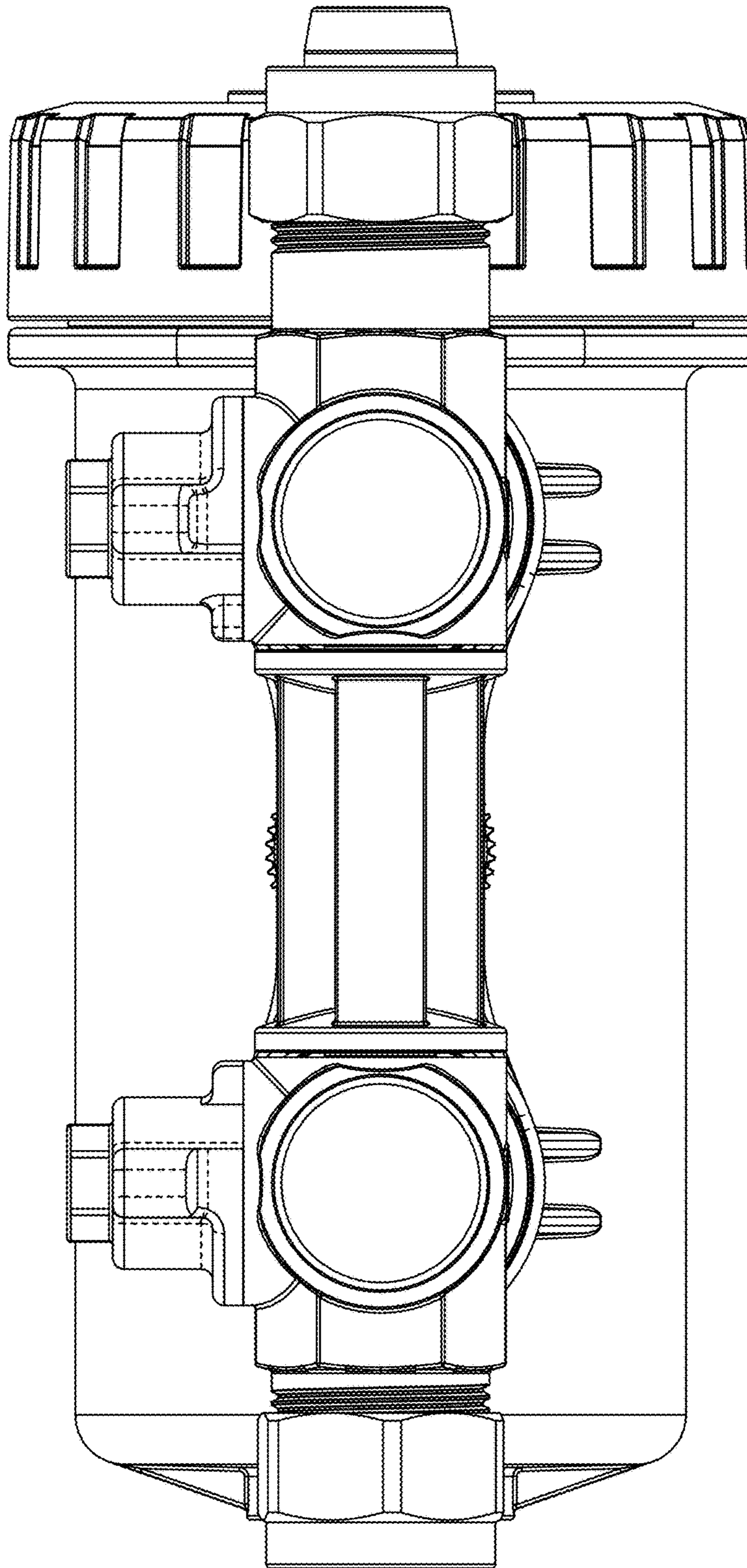


FIG. 5

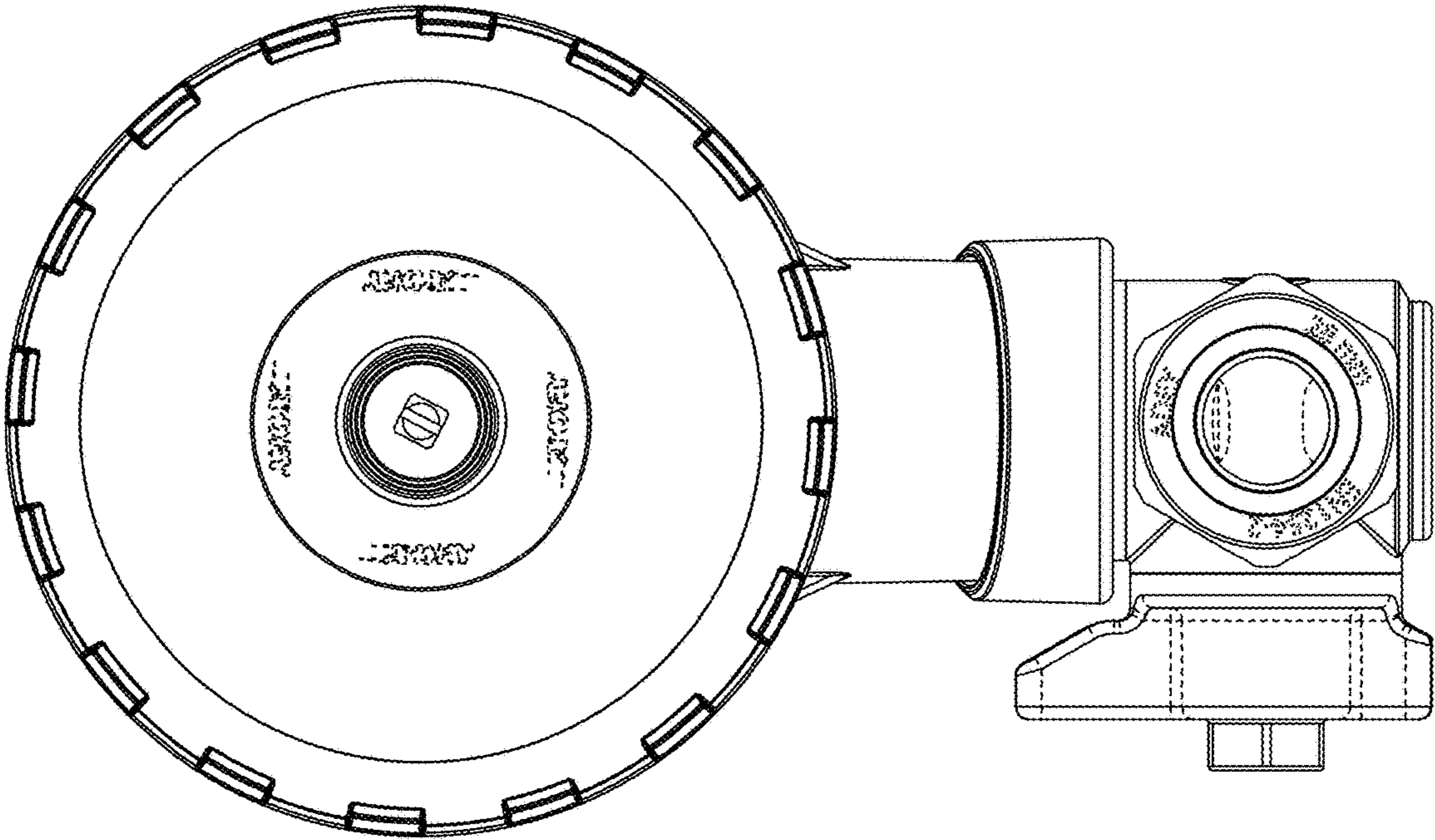


FIG. 6

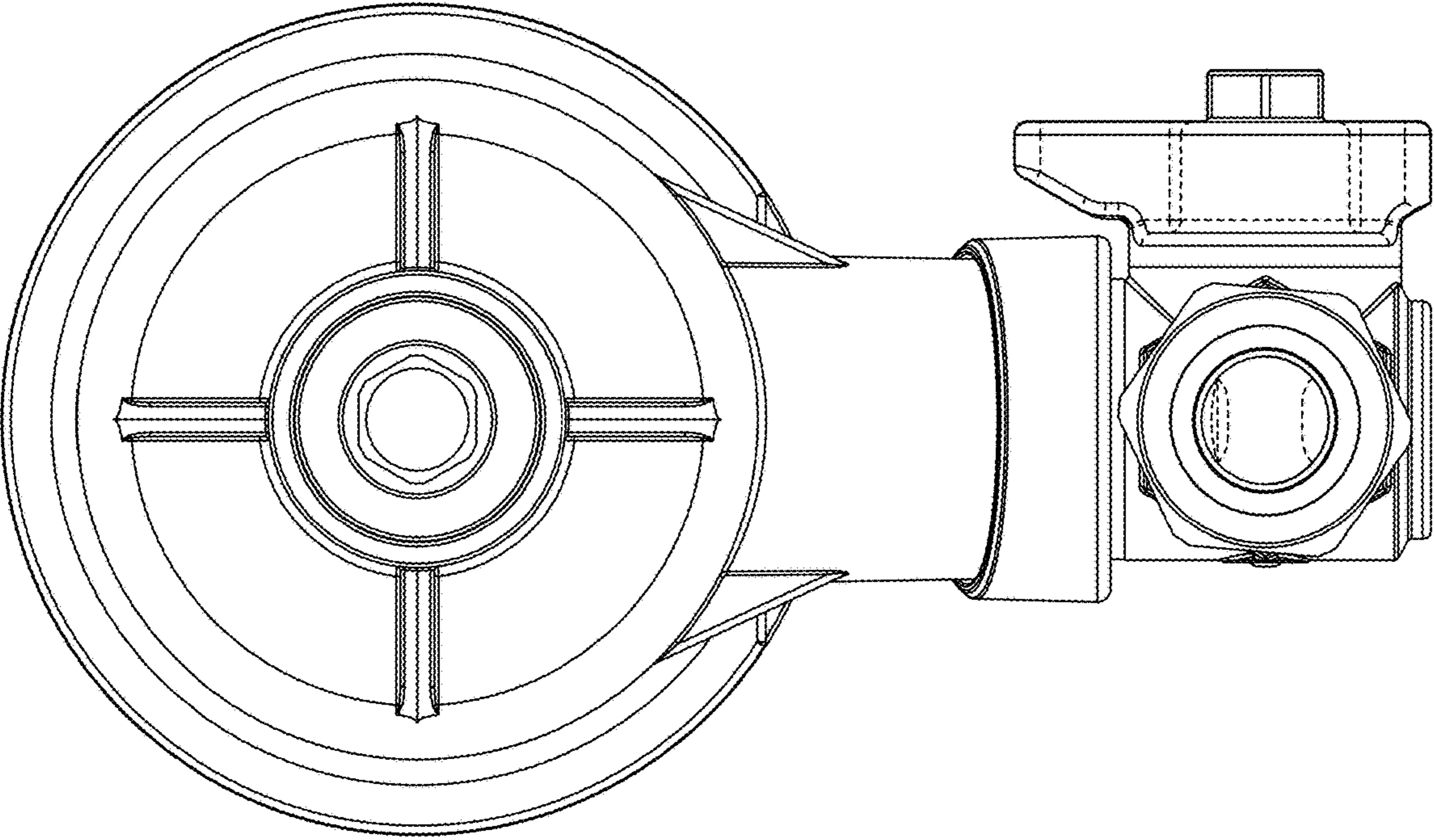


FIG. 7

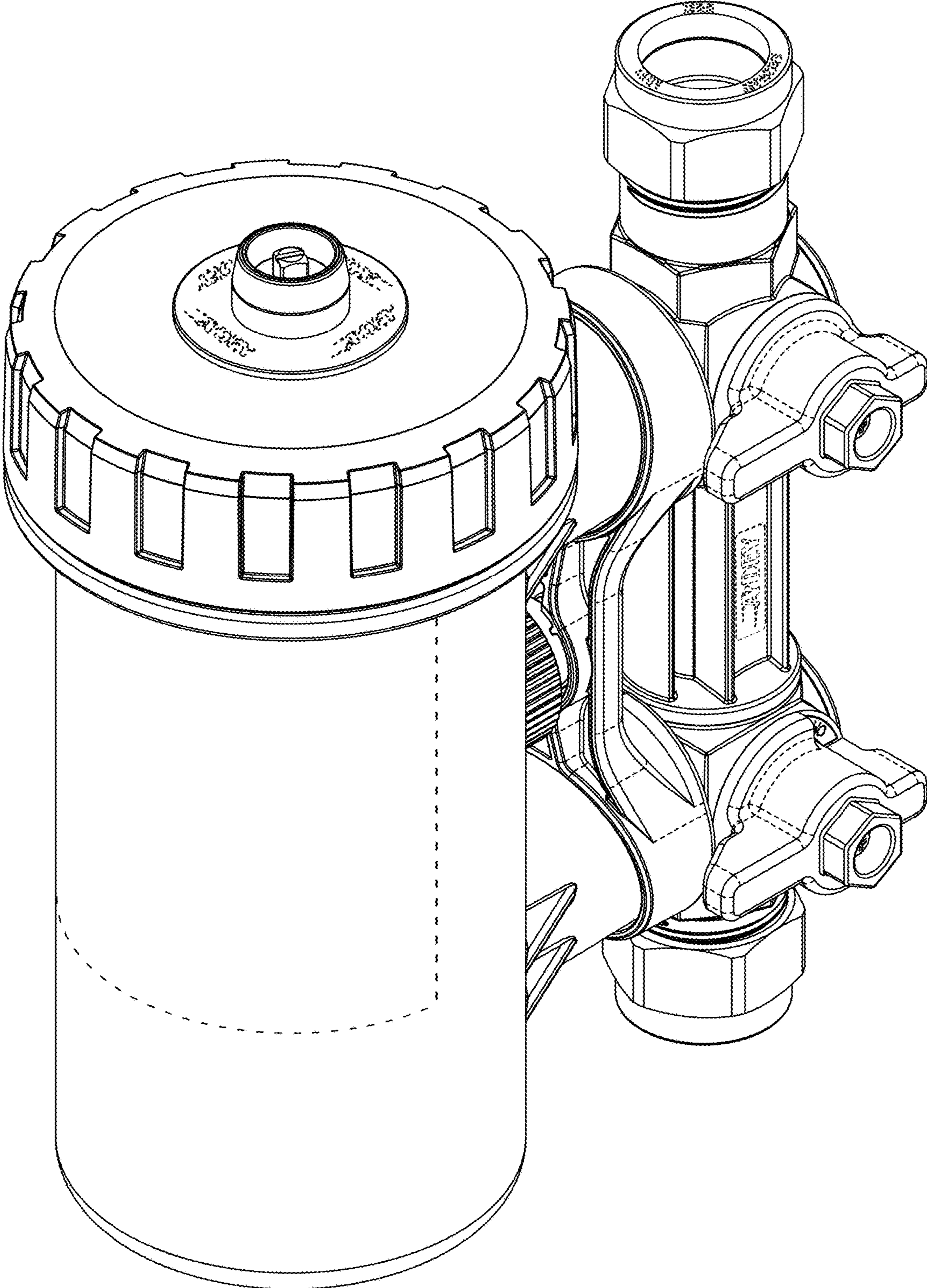


FIG. 8