



US00D793518S

(12) **United States Design Patent** (10) **Patent No.:** **US D793,518 S**
Ramczyk (45) **Date of Patent:** **** Aug. 1, 2017**

(54) **ICE FISHING SEAT**

- (71) Applicant: **Clarence Ramczyk**, Custer, WI (US)
- (72) Inventor: **Clarence Ramczyk**, Custer, WI (US)
- (**) Term: **15 Years**
- (21) Appl. No.: **29/620,145**
- (22) Filed: **Jul. 22, 2016**
- (51) **LOC (10) Cl.** **22-05**
- (52) **U.S. Cl.**
USPC **D22/136**
- (58) **Field of Classification Search**
USPC D22/136, 134-135; 43/54.1, 55-57;
261/121.2; D32/53
CPC A01K 97/05
See application file for complete search history.

(56) **References Cited**

U.S. PATENT DOCUMENTS

D235,205 S *	5/1975	Schwartz	D22/136
4,677,785 A *	7/1987	Lambourn	A01K 97/05
				43/55
D371,185 S *	6/1996	Mullins	D22/134
D425,600 S *	5/2000	Pas	D22/136
D574,668 S *	8/2008	Kelly	D22/136
7,644,535 B2 *	1/2010	Sloop	A01K 97/05
				43/56

OTHER PUBLICATIONS

Gander Mountain, Frabill Sit-N-Fish Item #419994, reviewed 2009.*

* cited by examiner

Primary Examiner — Catheri Oliver-Garcia

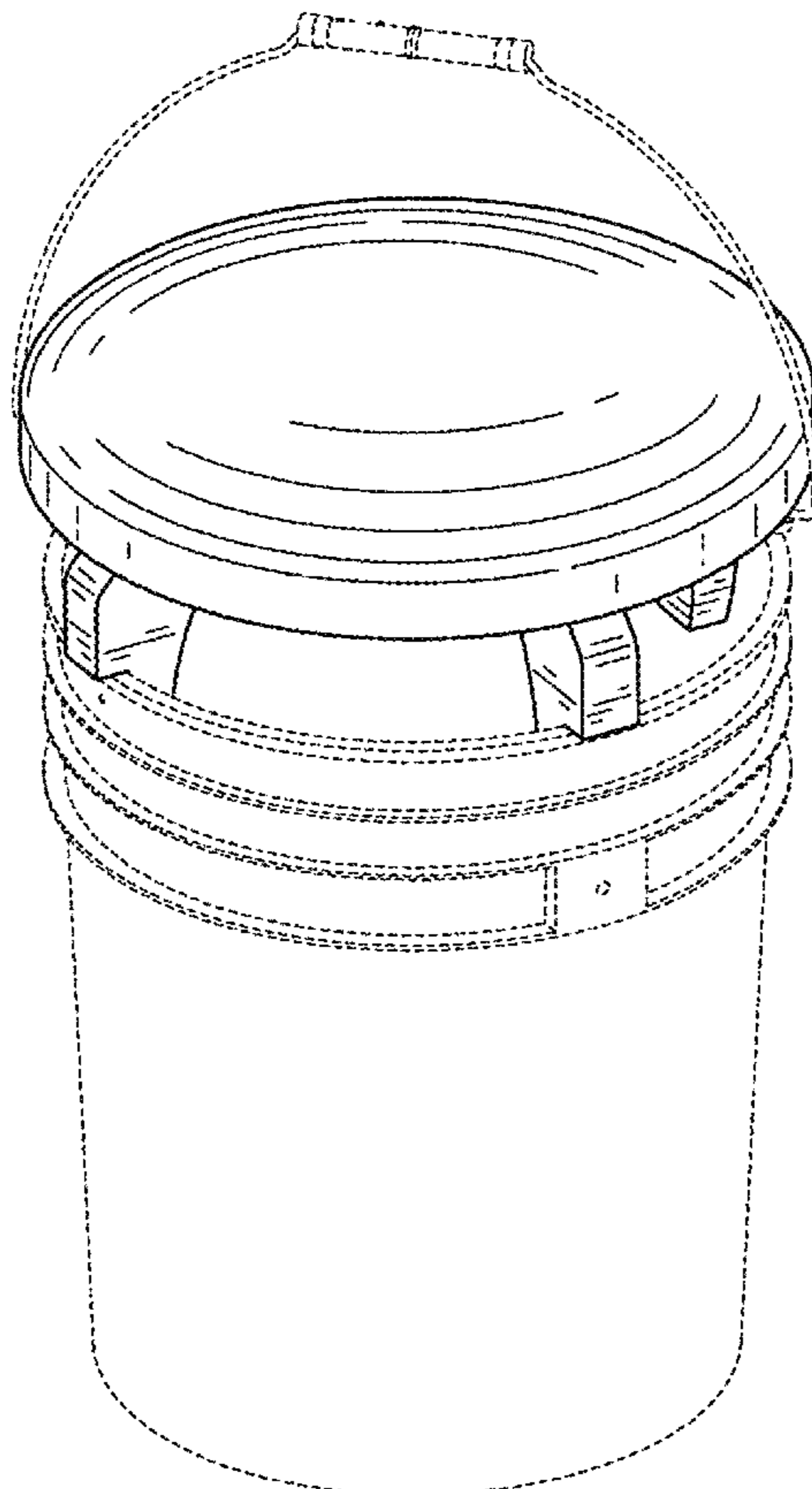
(57) **CLAIM**

The ornamental design for an ice fishing seat, as shown.

DESCRIPTION

FIG. 1 is a front, top and left side perspective view of the ice fishing seat showing my new design;
 FIG. 2 is an exploded perspective view thereof;
 FIG. 3 is a front elevation view thereof, with the rear elevation view being identical;
 FIG. 4 is a right side elevation view thereof, with the left side elevation view being;
 FIG. 5 is a top plan view thereof; and
 FIG. 6 is a bottom plan view thereof; and,
 FIG. 7 is a bottom perspective view thereof.
 The broken lines shown in the FIGS. depict environmental subject matter, and are for illustration only and form no part of the claimed design.

1 Claim, 5 Drawing Sheets



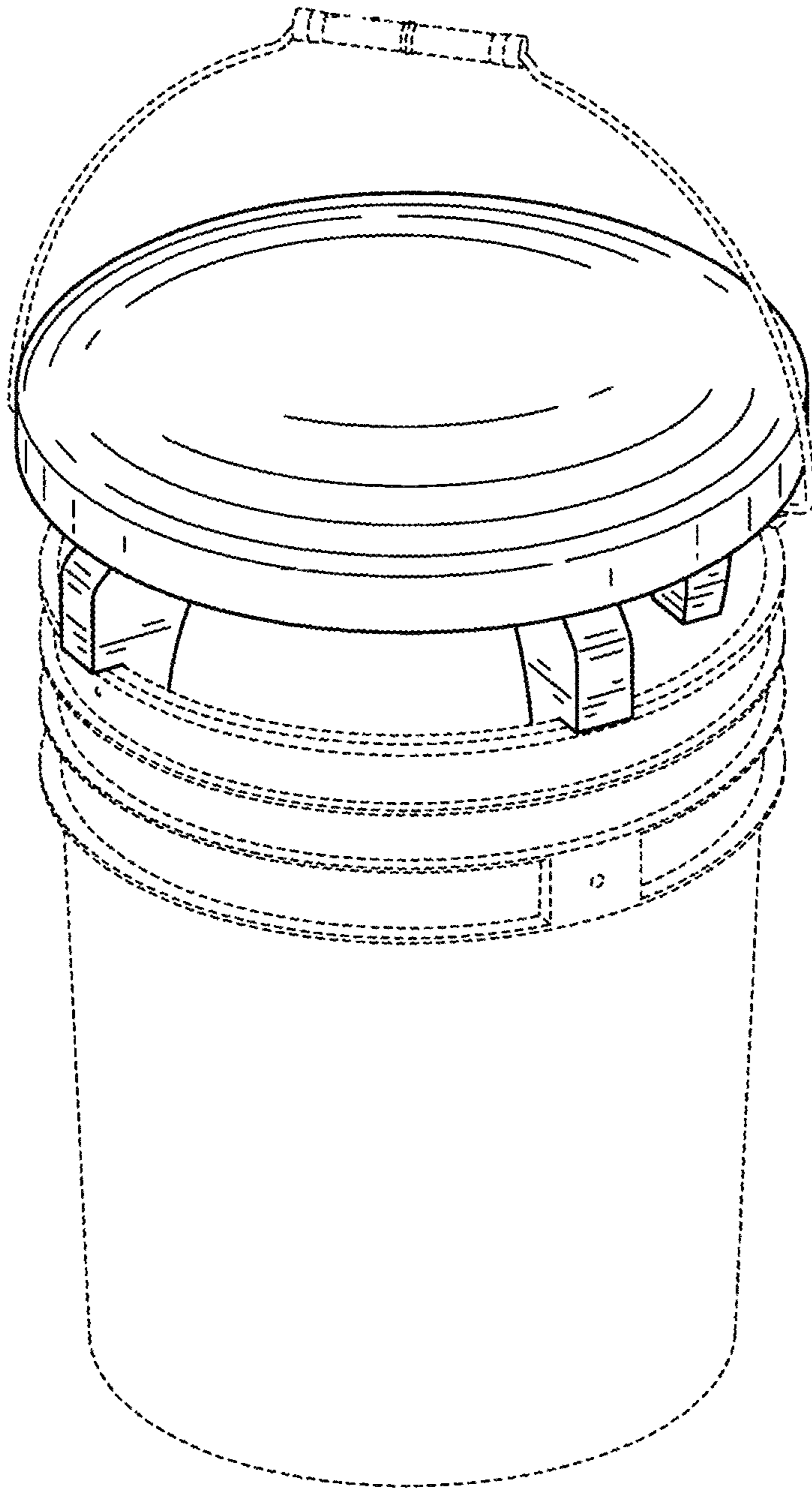


FIG. 1

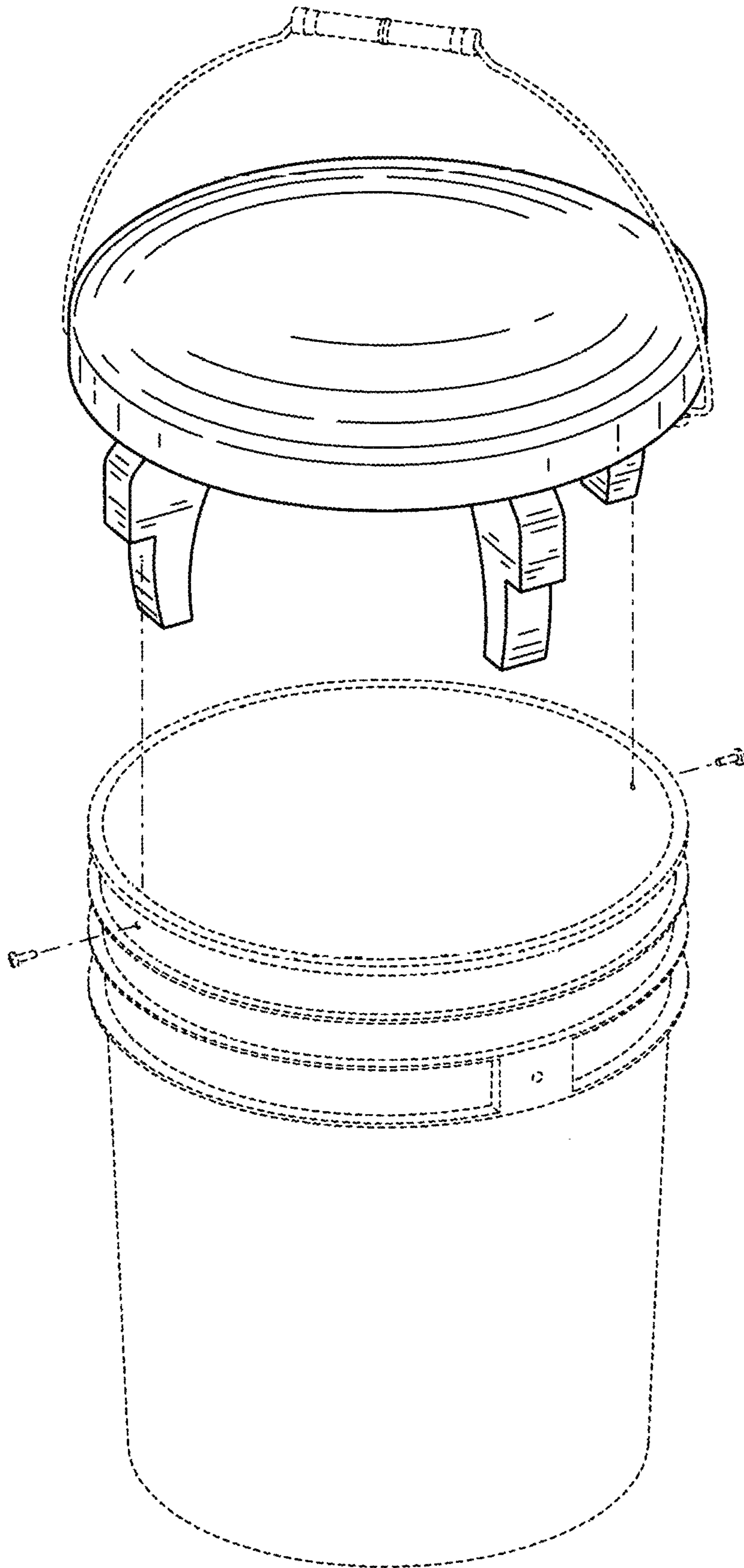


FIG. 2

FIG. 3

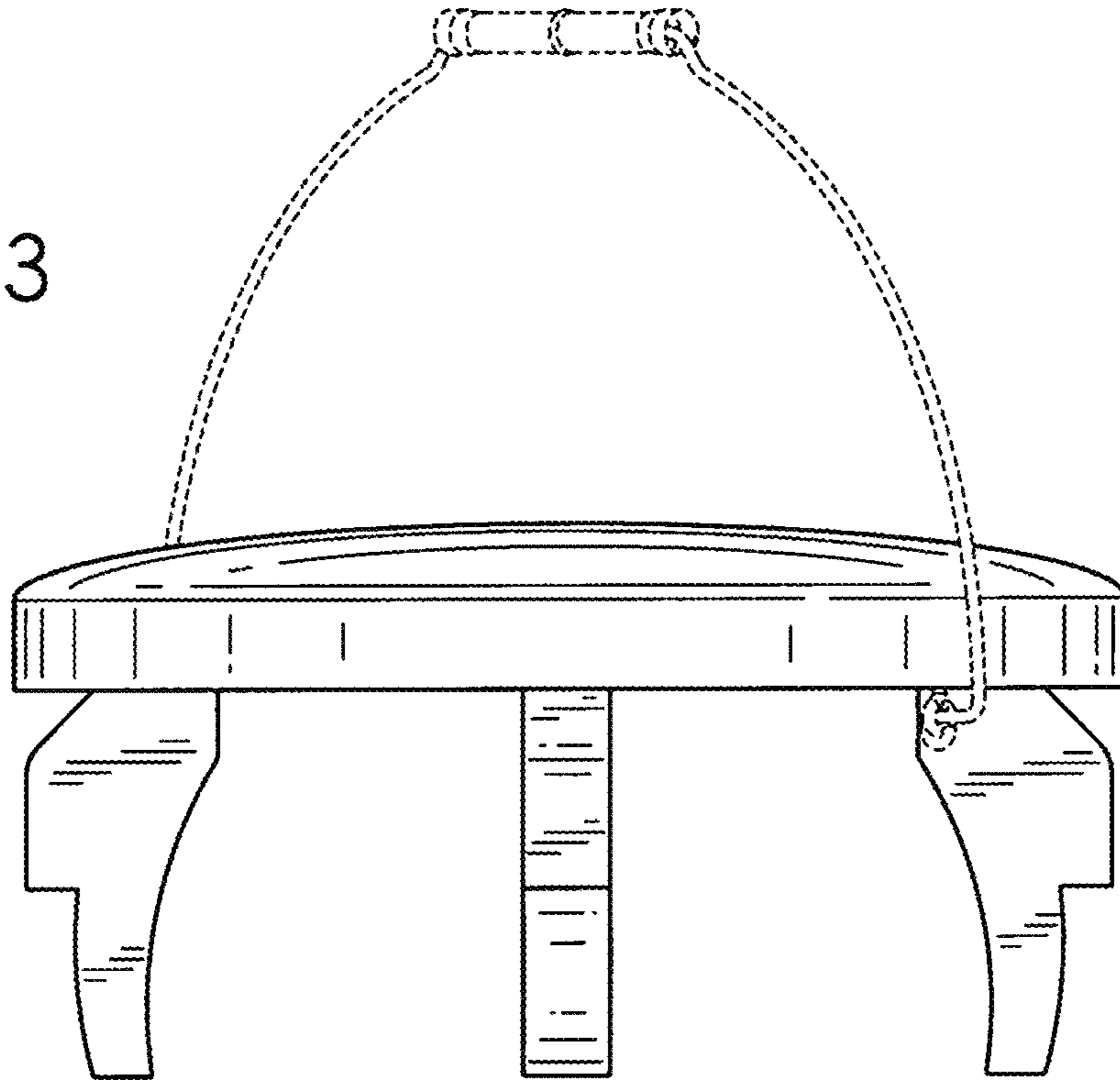


FIG. 4

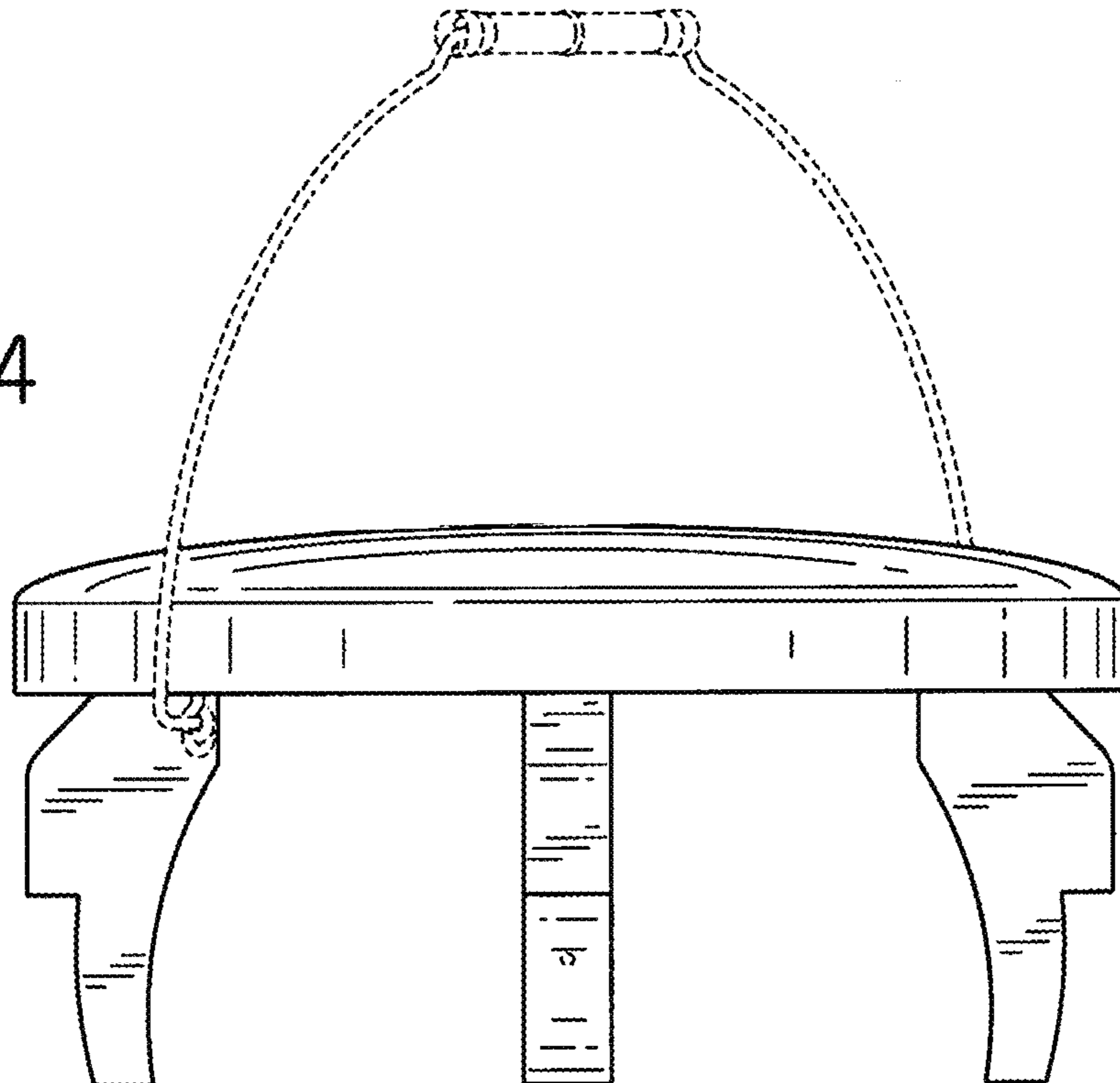


FIG. 5

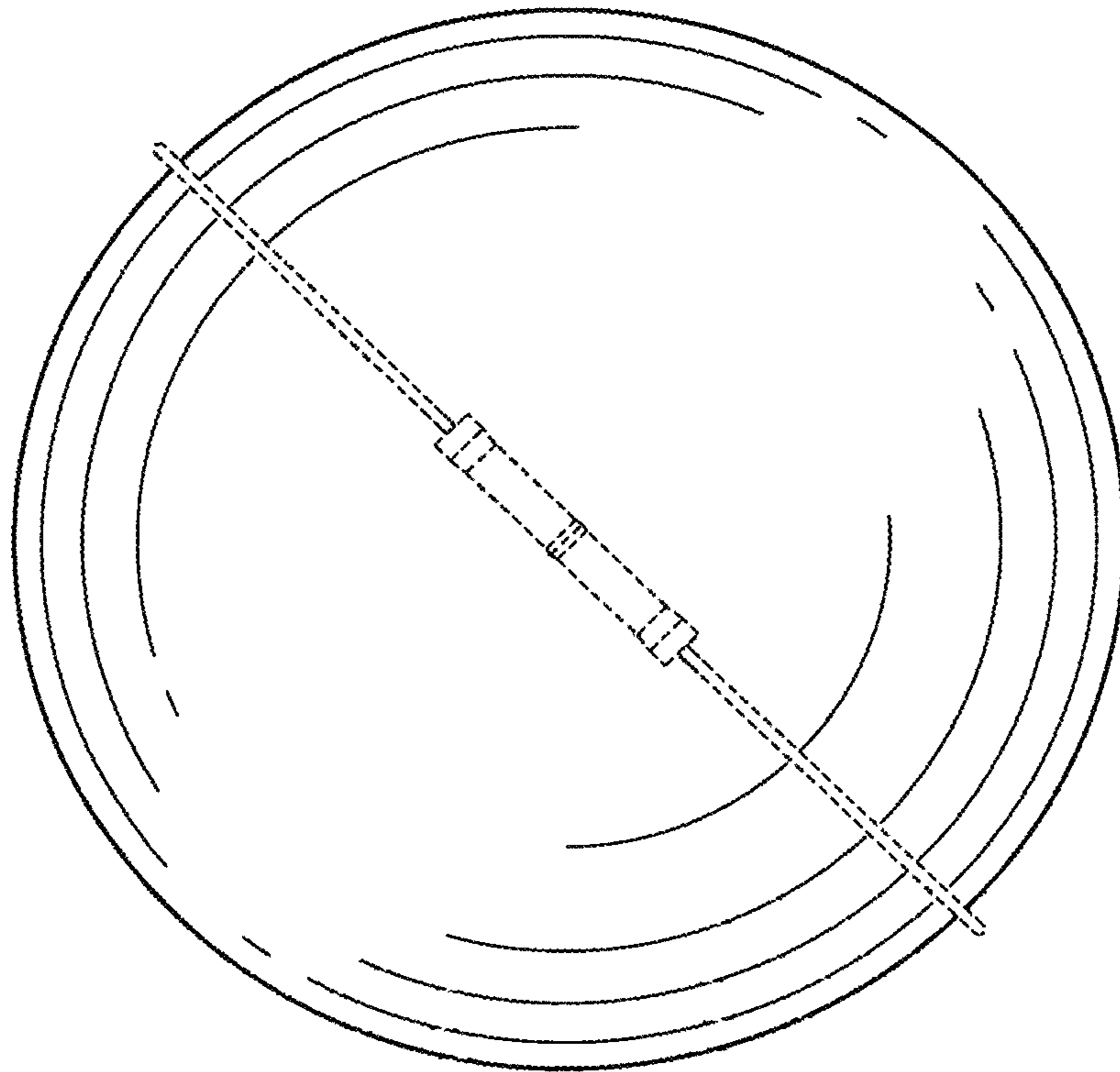
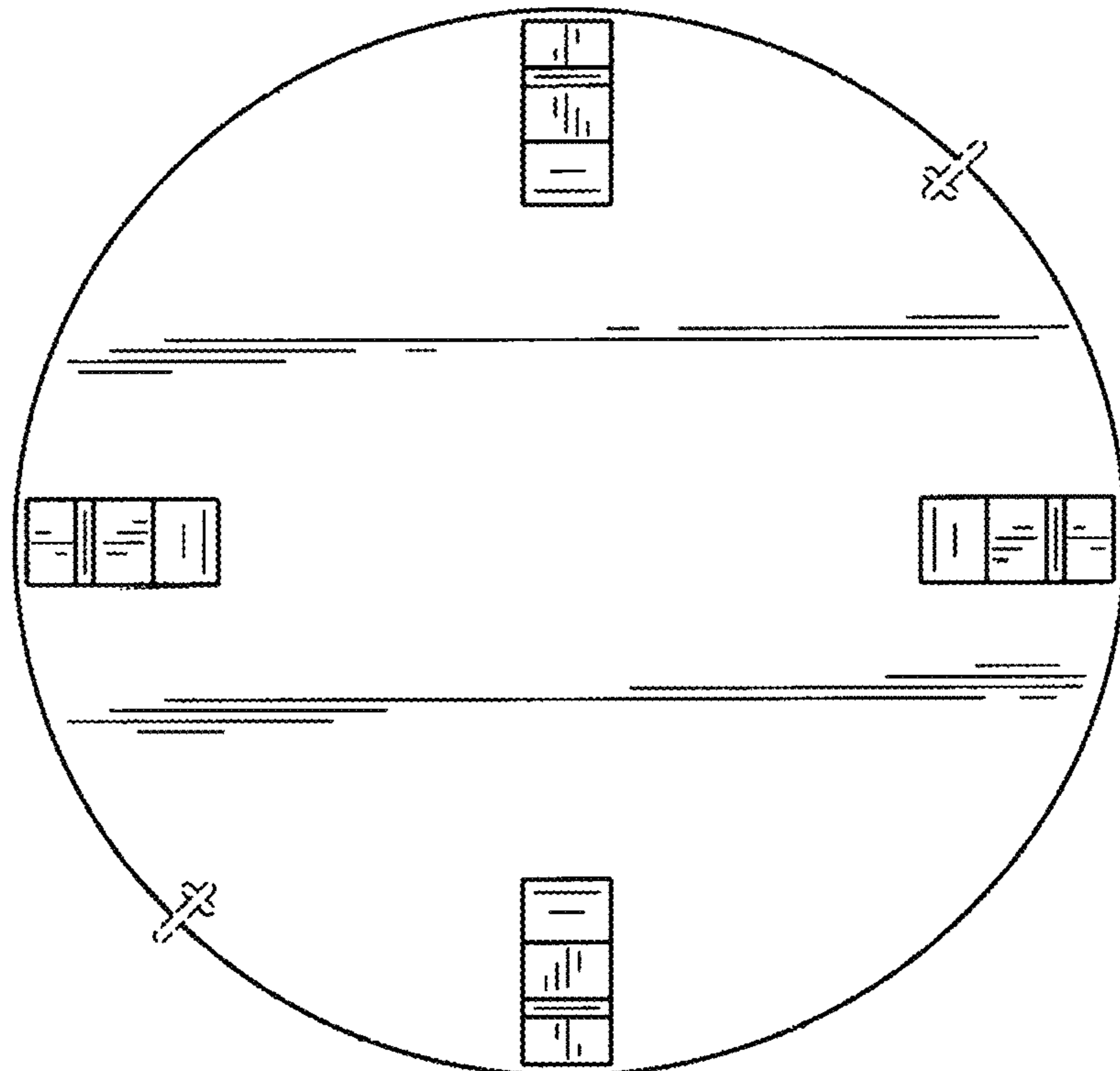


FIG. 6



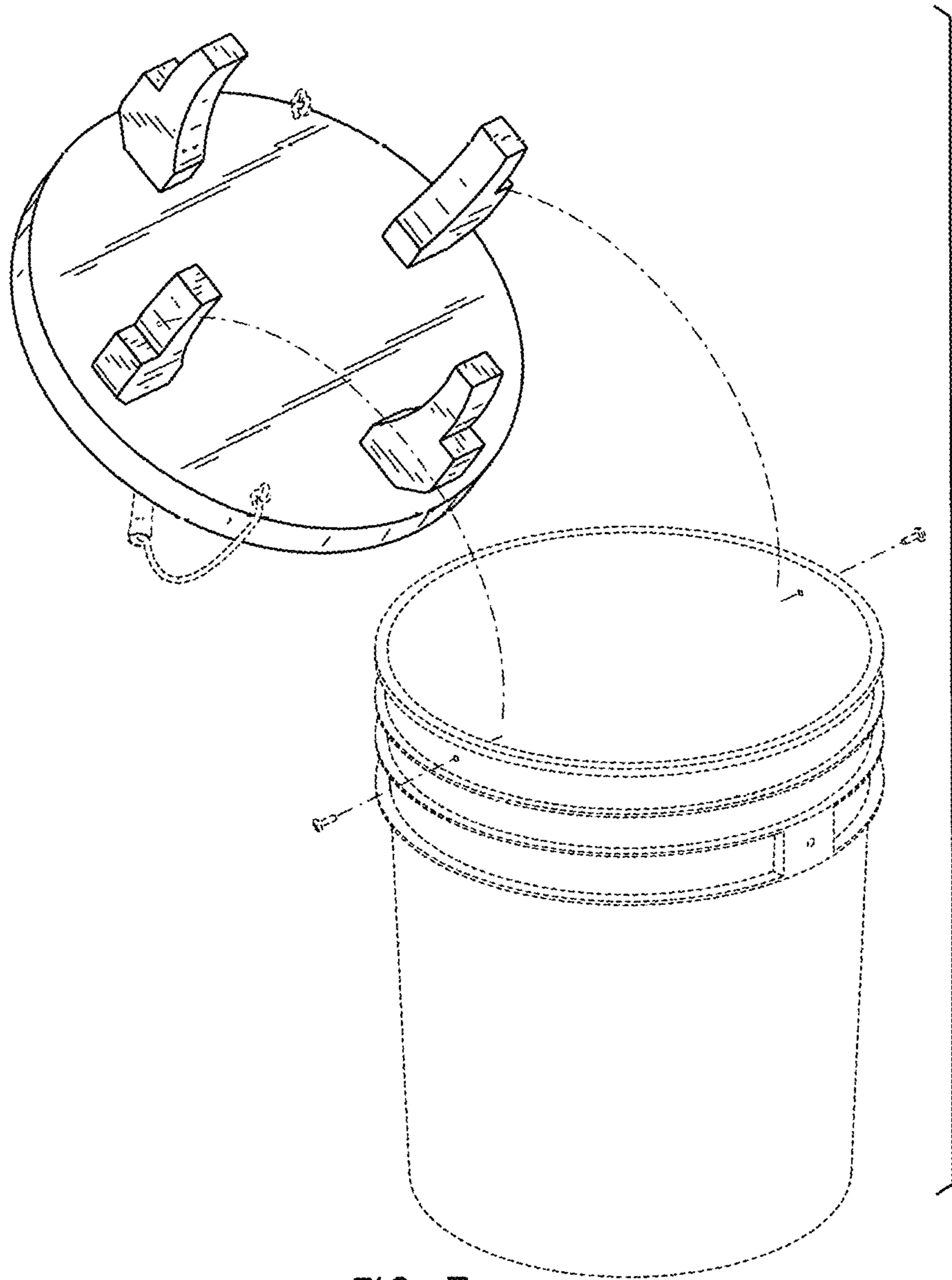


FIG. 7