



US00D793516S

(12) **United States Design Patent**
Winge

(10) **Patent No.:** **US D793,516 S**

(45) **Date of Patent:** **** Aug. 1, 2017**

(54) **AMMUNITION BELT FEED ASSEMBLY**

(71) Applicant: **David A. Winge**, Boonville, IN (US)

(72) Inventor: **David A. Winge**, Boonville, IN (US)

(**) Term: **15 Years**

(21) Appl. No.: **29/537,493**

(22) Filed: **Aug. 26, 2015**

(51) **LOC (10) Cl.** **22-01**

(52) **U.S. Cl.**
USPC **D22/108**

(58) **Field of Classification Search**
USPC D22/108, 199
See application file for complete search history.

(56) **References Cited**

U.S. PATENT DOCUMENTS

D566,804 S *	4/2008	Hahin	D22/108
D569,473 S *	5/2008	Hahin	D22/108
D728,066 S *	4/2015	Tal	D22/199

* cited by examiner

Primary Examiner — Susan Bennett Hattan
Assistant Examiner — S. Bryan Reinholdt, Jr.
(74) *Attorney, Agent, or Firm* — Gary K. Price

(57) **CLAIM**

The ornamental design of an ammunition belt feed assembly, as shown and described.

DESCRIPTION

FIG. 1 is a perspective view from a first side of the ammunition belt feed assembly.
FIG. 2 is a perspective view from an opposite side of the ammunition belt feed assembly.
FIG. 3 is a top view of the ammunition belt feed assembly.
FIG. 4 is a perspective view showing the first arm separated from the second arm of the ammunition belt feed assembly.
FIG. 5 is a front view showing the first arm separated from the second arm of the ammunition belt feed assembly; and, FIG. 6 is a front view of one arm of the ammunition belt feed assembly in position of use on a firearm which is shown in broken lines to illustrate the environment of the claimed design and forms no part thereof.

1 Claim, 6 Drawing Sheets

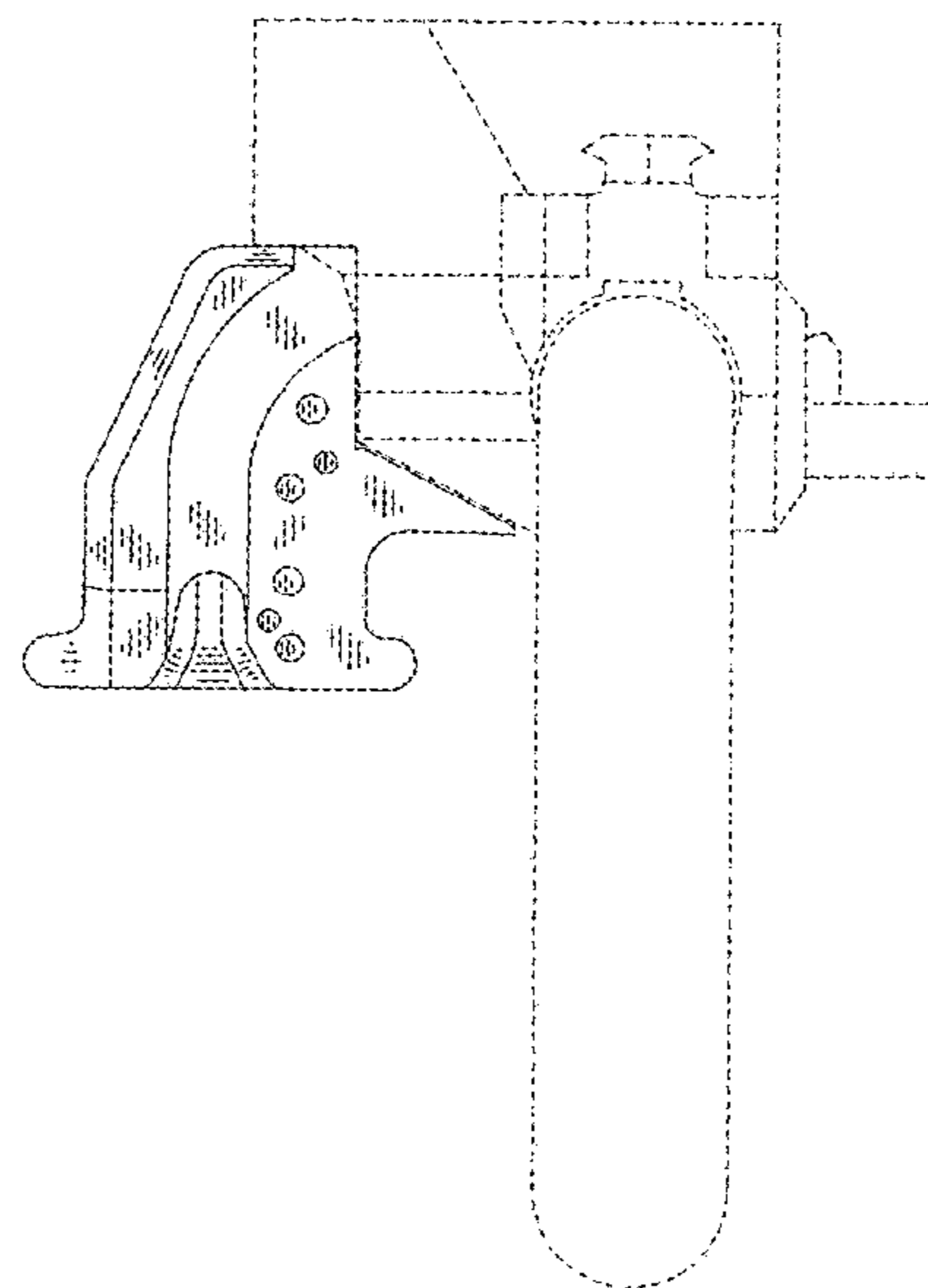
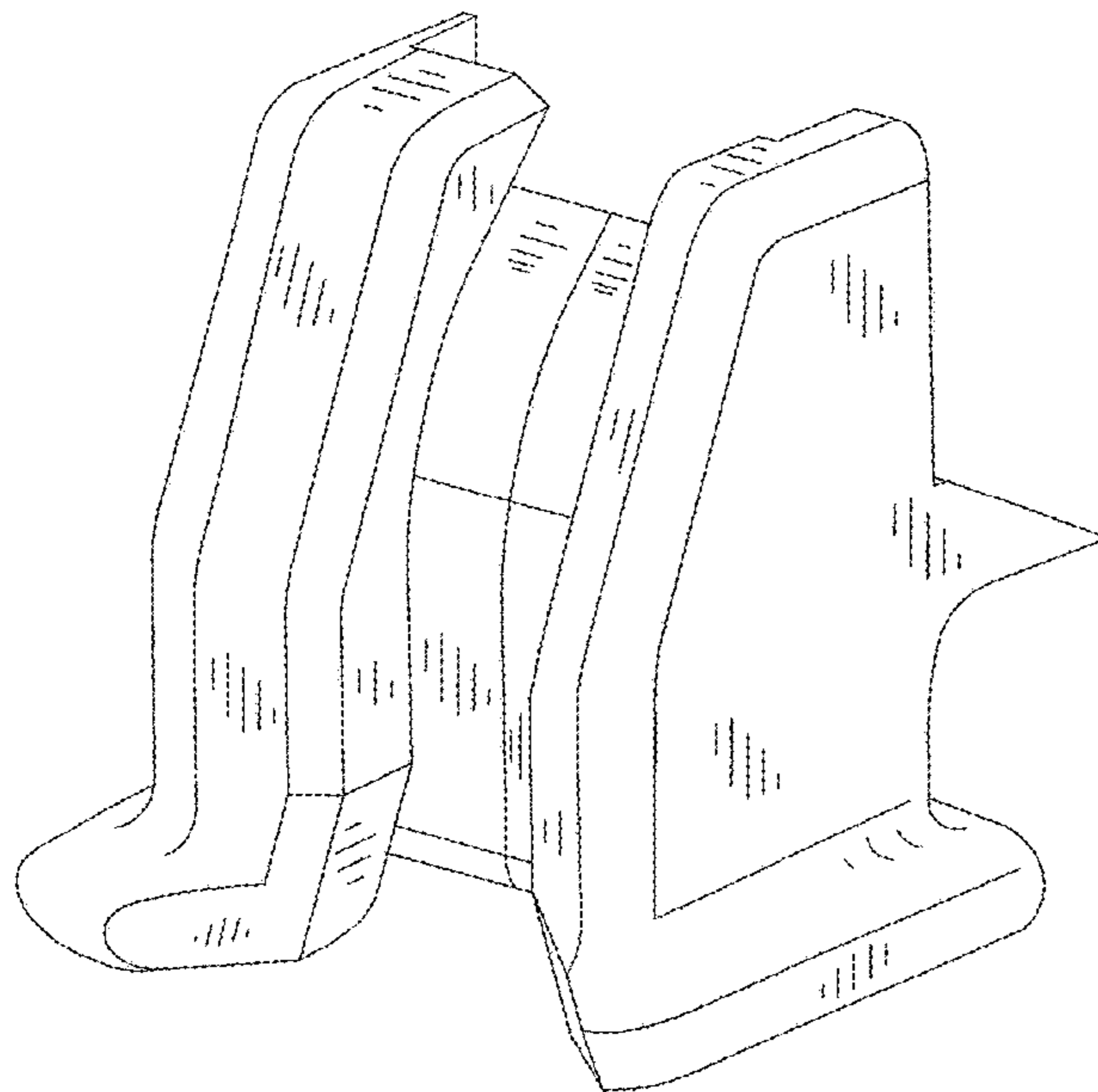


FIG. 1

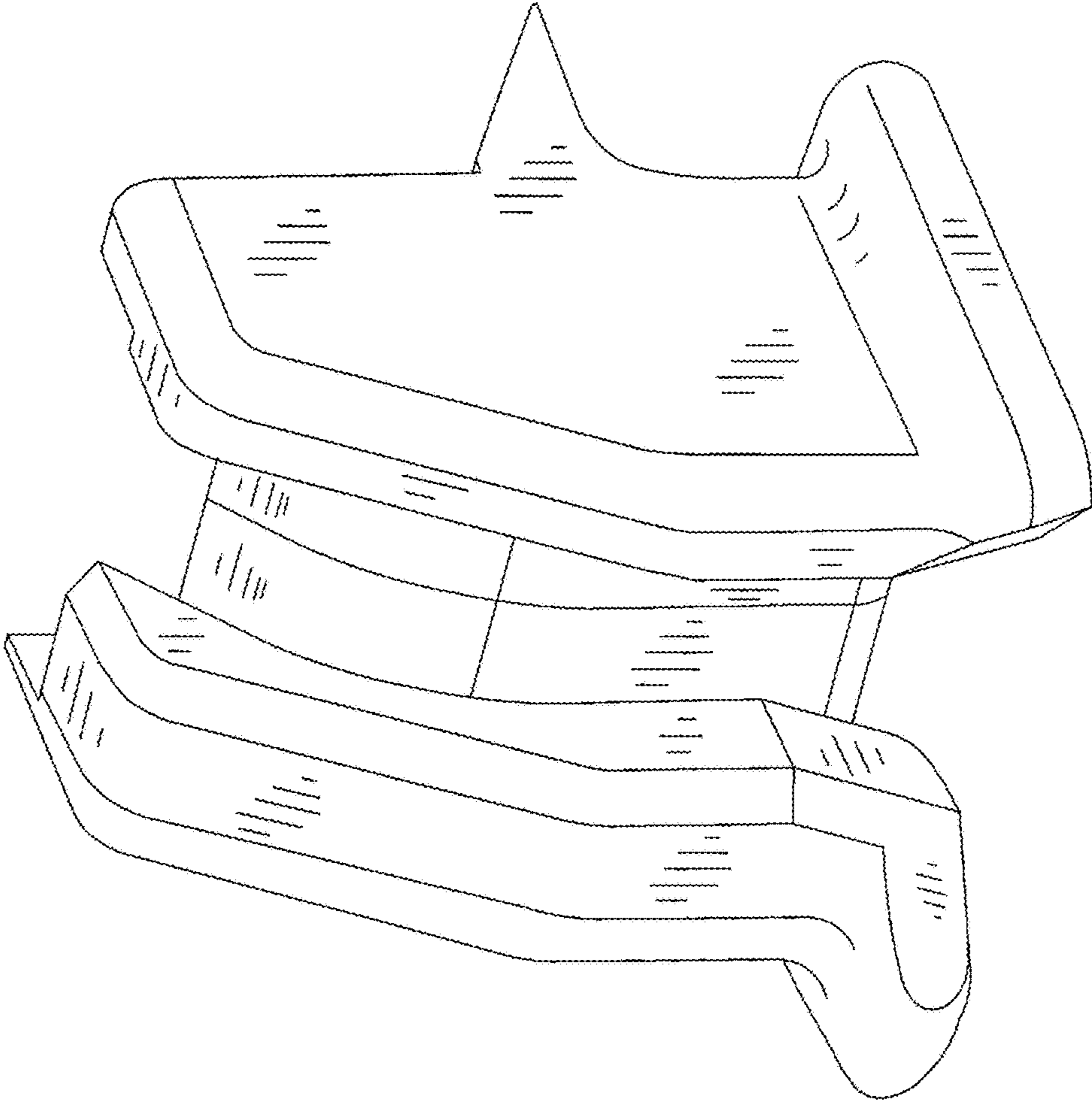


FIG. 2

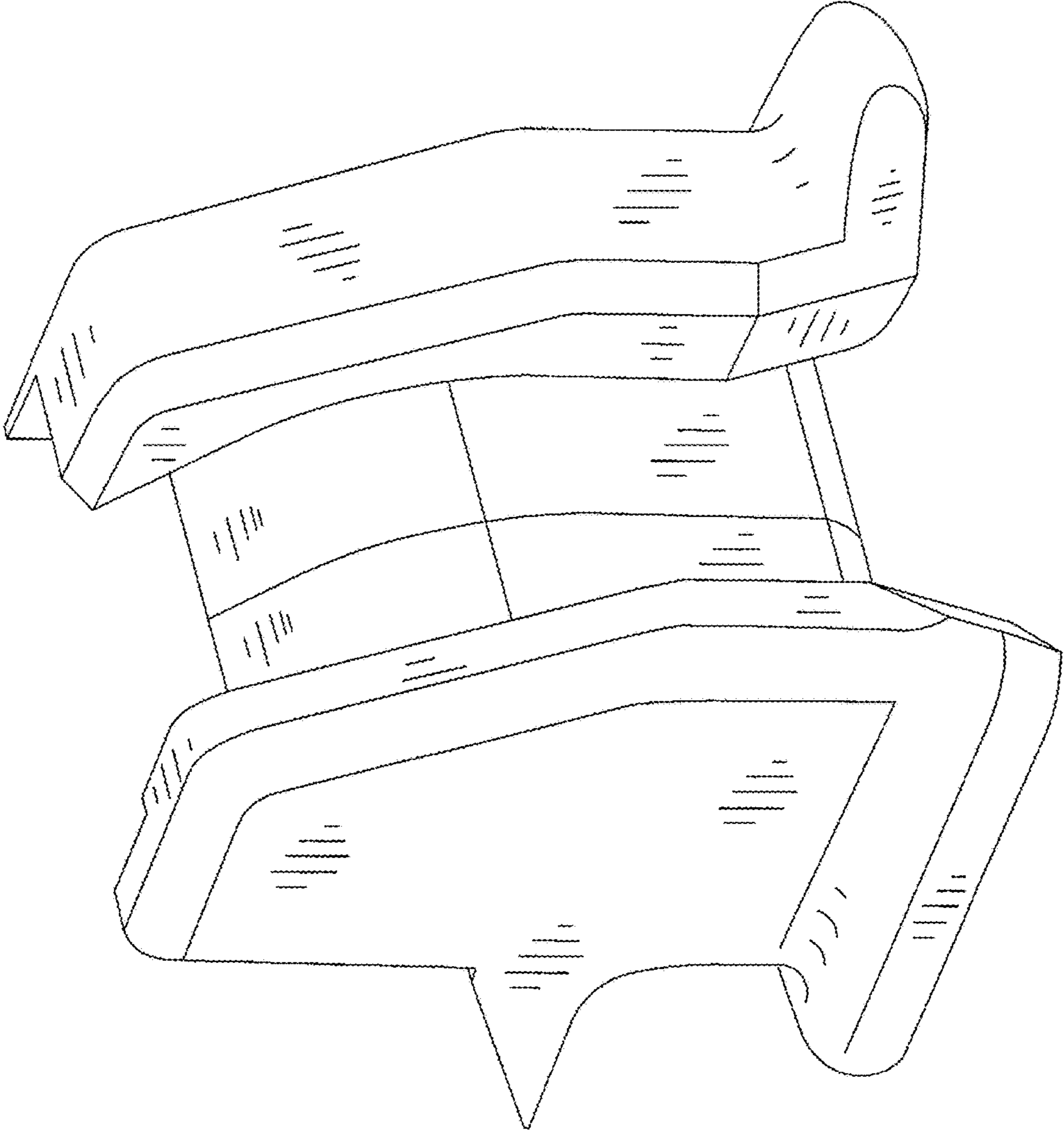


FIG. 3

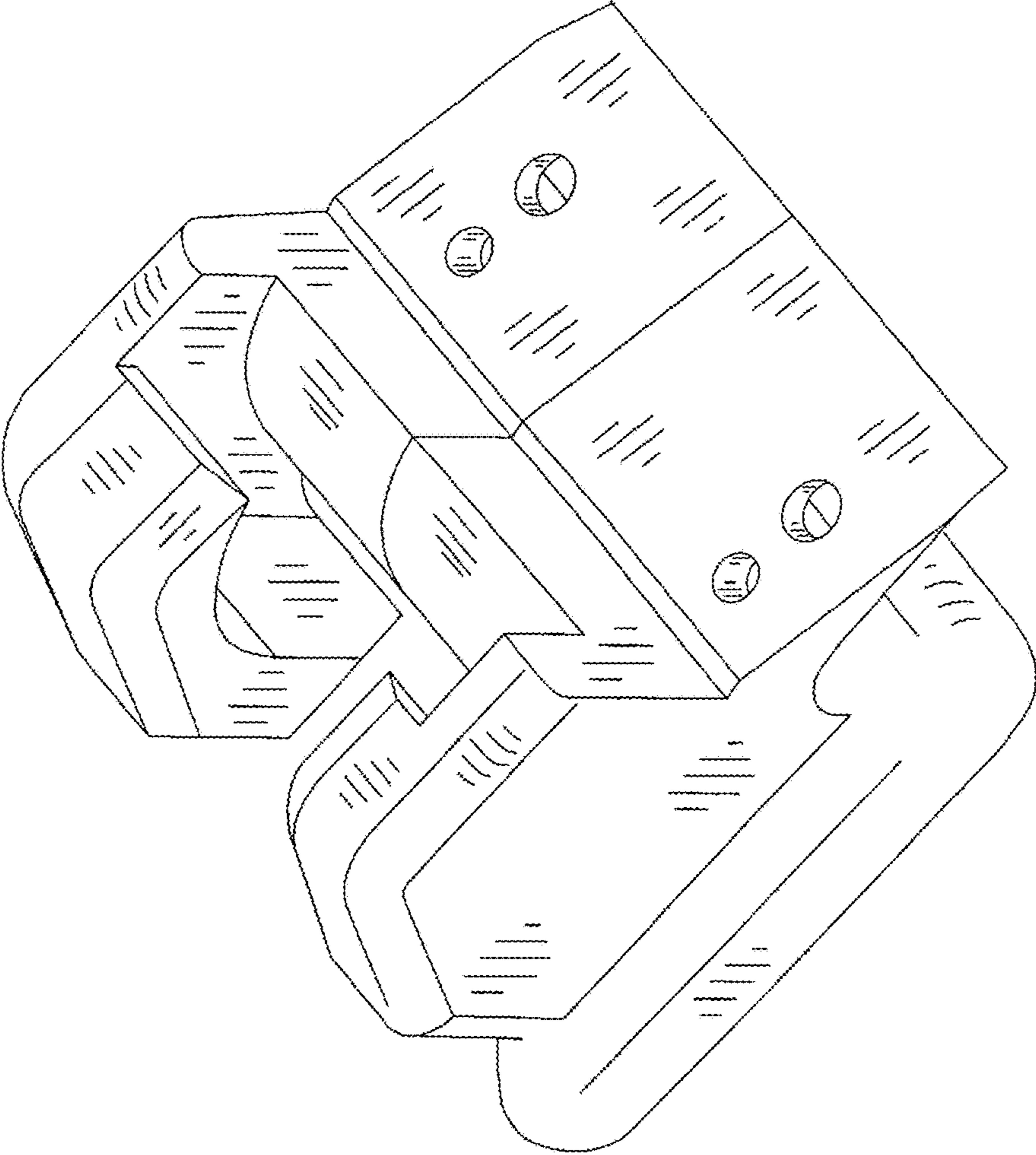


FIG. 4

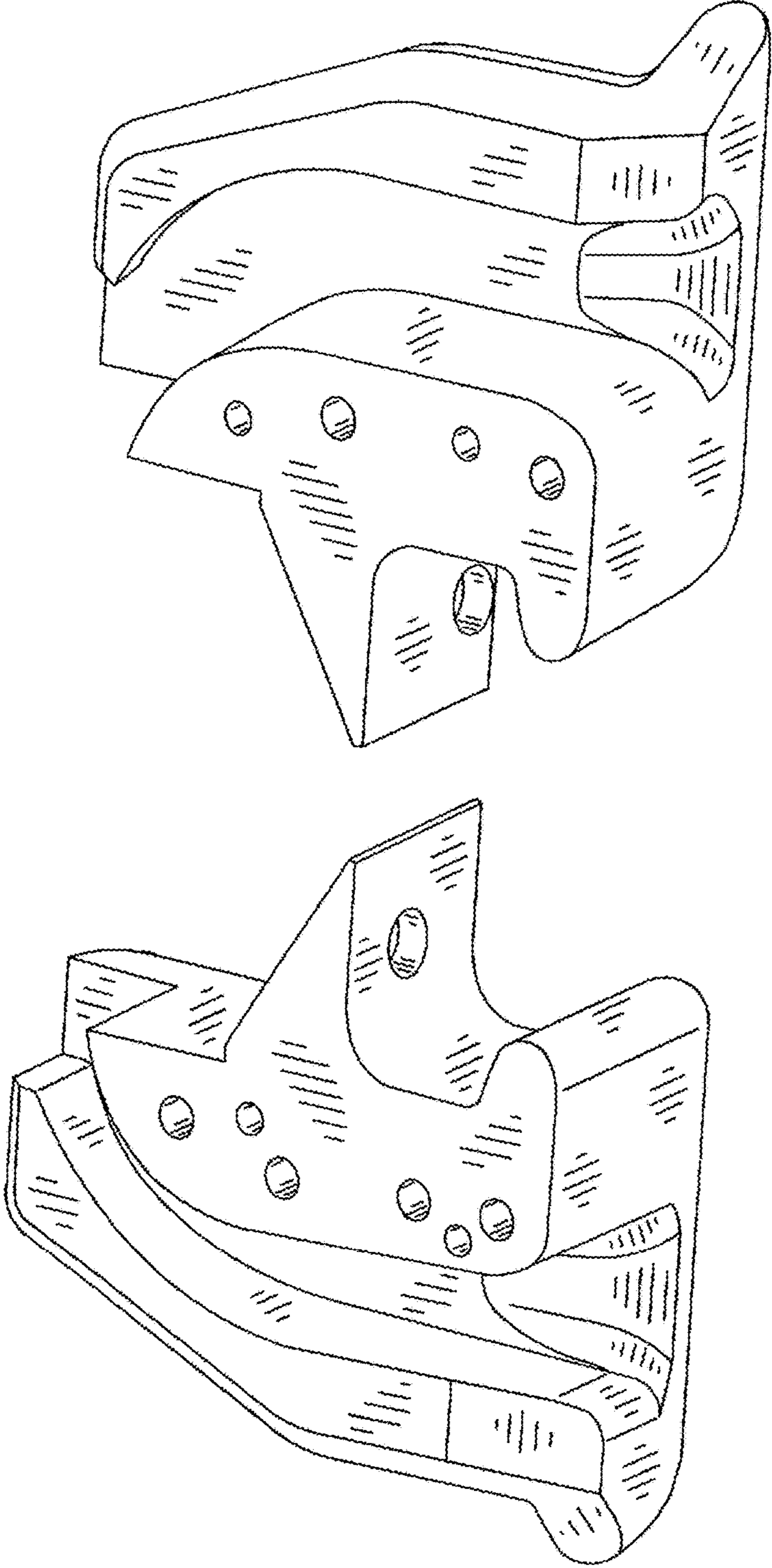


FIG. 5

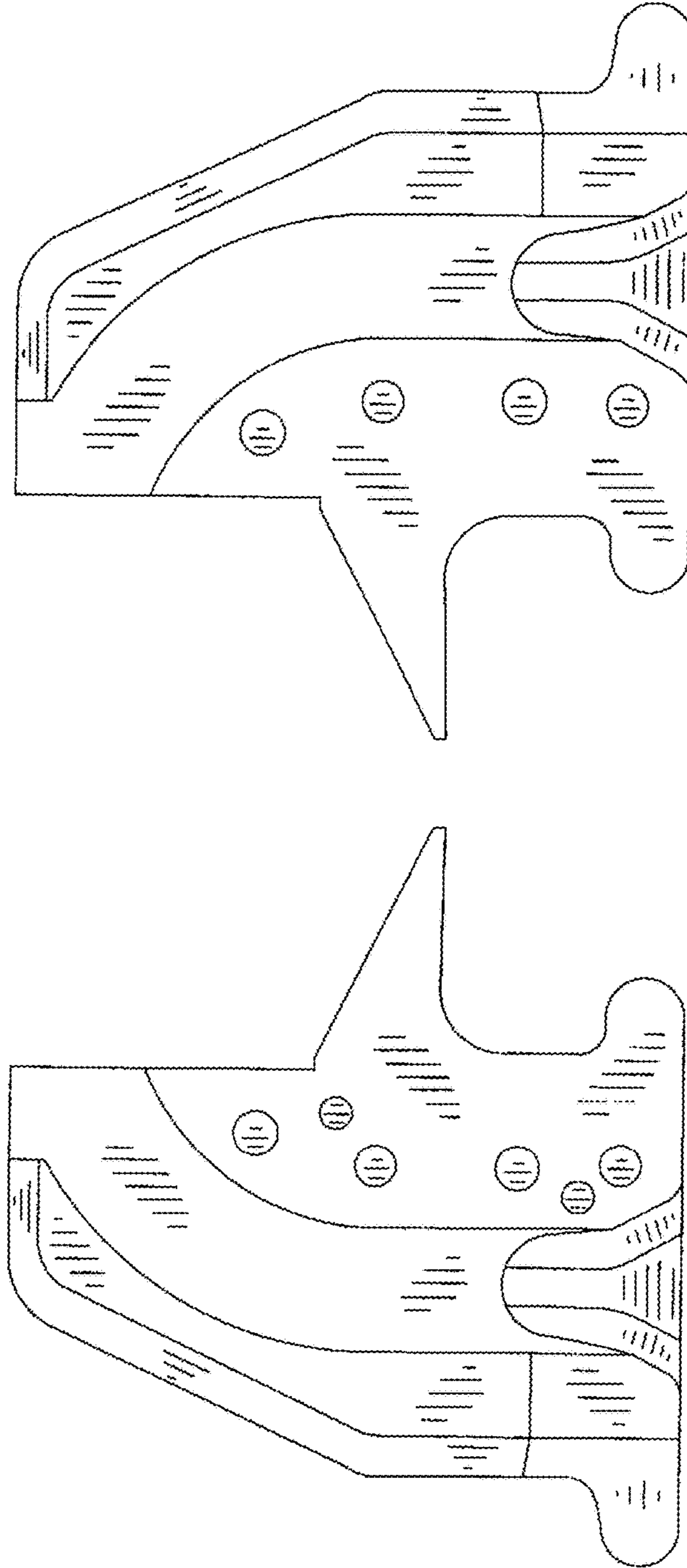


FIG. 6

