

US00D793508S

(12) **United States Design Patent**
Lester

(10) **Patent No.:** **US D793,508 S**

(45) **Date of Patent:** **** Aug. 1, 2017**

(54) **GOLF SWING AID**

(71) Applicant: **Jonathan Lester**, Palm Bay, FL (US)

(72) Inventor: **Jonathan Lester**, Palm Bay, FL (US)

(**) Term: **15 Years**

(21) Appl. No.: **29/561,586**

(22) Filed: **Apr. 18, 2016**

(51) **LOC (10) Cl.** **21-02**

(52) **U.S. Cl.**
USPC **D21/791**

(58) **Field of Classification Search**
USPC D21/789, 791
CPC .. A63B 69/3608; A63B 69/0059; A63B 69/00
See application file for complete search history.

(56) **References Cited**

U.S. PATENT DOCUMENTS

- 4,294,239 A * 10/1981 Oram A61F 13/148
128/100.1
- 4,688,800 A * 8/1987 Lopez A63B 69/3608
473/215
- 4,743,028 A * 5/1988 Harrison A63B 69/3608
340/573.1
- 4,883,276 A * 11/1989 Brown A63B 69/0059
473/215
- 5,203,567 A 4/1993 Erlinger et al.
- 5,295,690 A 3/1994 Johnson
- 5,344,152 A * 9/1994 Brannen A63B 69/0059
473/214
- 5,390,929 A * 2/1995 Todaro A63B 69/0059
473/215
- D364,911 S * 12/1995 Todaro D21/791
- D404,103 S * 1/1999 Winters D21/791

- 6,176,790 B1 * 1/2001 Latella A63B 69/0057
273/DIG. 20
- 6,357,444 B1 * 3/2002 Parker A61F 5/56
128/848
- 6,582,318 B1 * 6/2003 Halfacre A63B 69/0059
473/207
- 7,204,767 B2 * 4/2007 Roberts A63B 69/3608
473/212
- 7,976,398 B2 * 7/2011 Clawson A63B 69/0059
473/212
- D654,131 S * 2/2012 Crabtree D21/791
- 8,292,760 B2 * 10/2012 Johnson A63B 69/0002
473/422

FOREIGN PATENT DOCUMENTS

NO WO9702605 1/1997

* cited by examiner

Primary Examiner — Mitchell Siegel

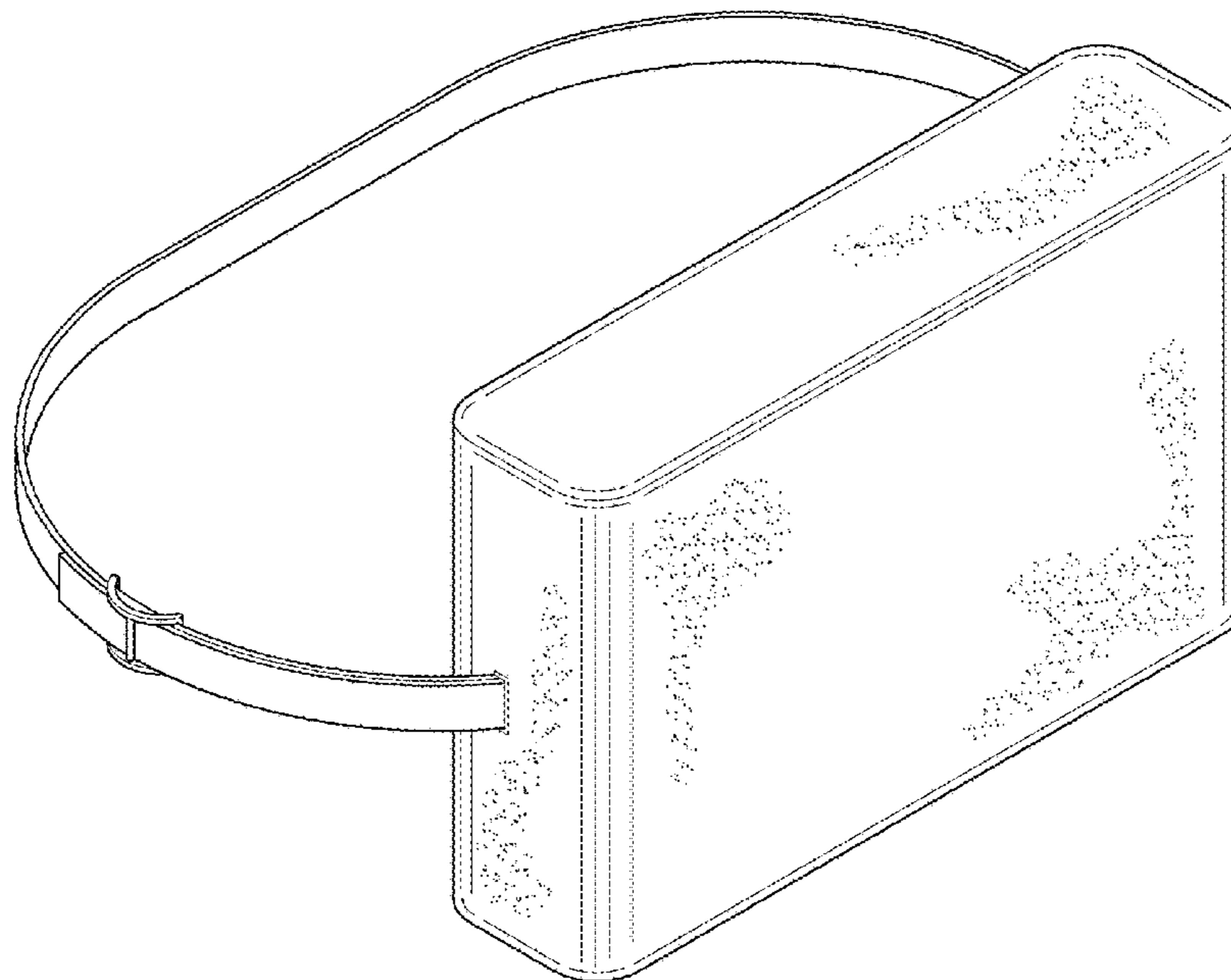
(57) **CLAIM**

The ornamental design for a golf swing aid, as shown and described.

DESCRIPTION

FIG. 1 is a front view of a golf swing aid showing my new design;
FIG. 2 is a rear view of the golf swing aid;
FIG. 3 is a left side view of the golf swing aid;
FIG. 4 is a right side view of the golf swing aid;
FIG. 5 is a top view of the golf swing aid, a bottom view being a mirror image thereof; and,
FIG. 6 is a top front side perspective view of the golf swing aid.

1 Claim, 4 Drawing Sheets



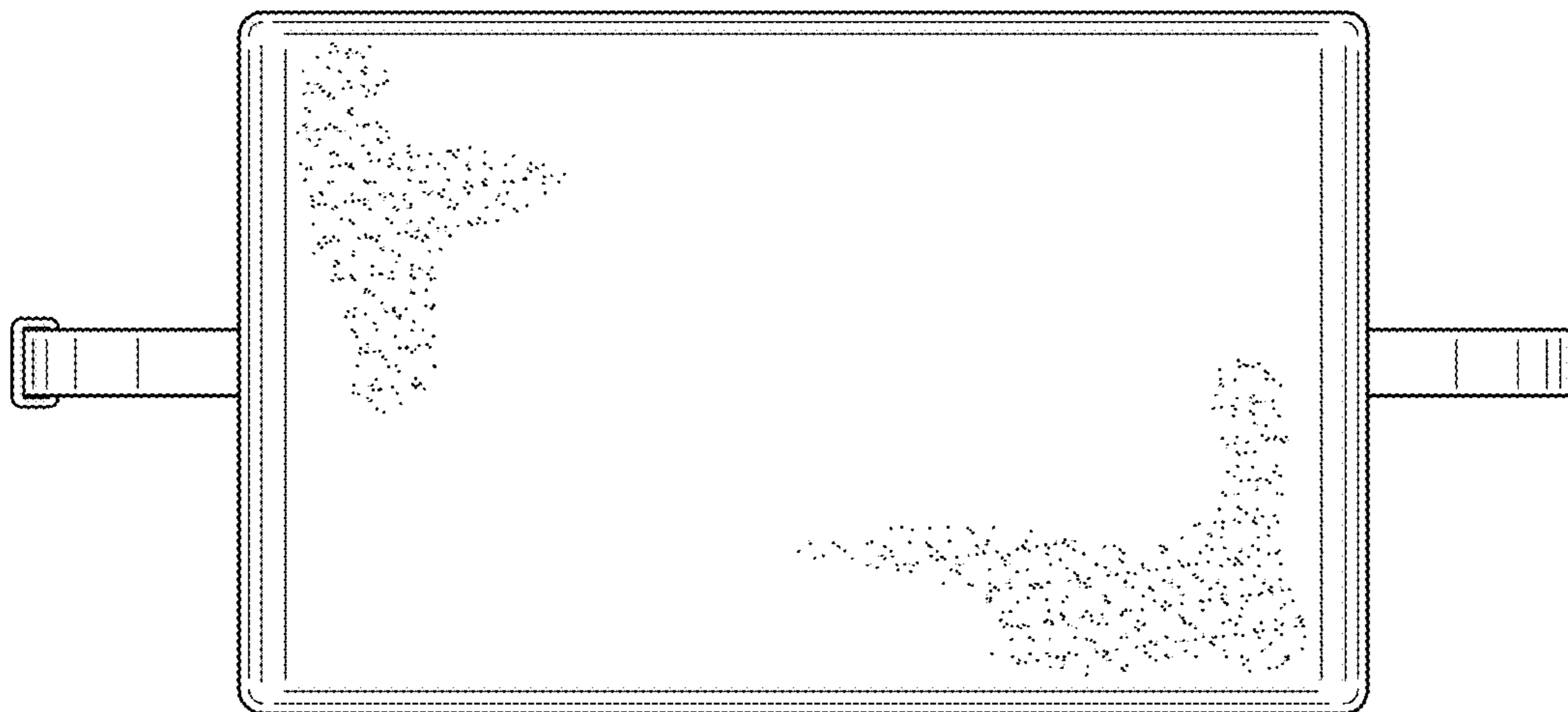


FIG. 1

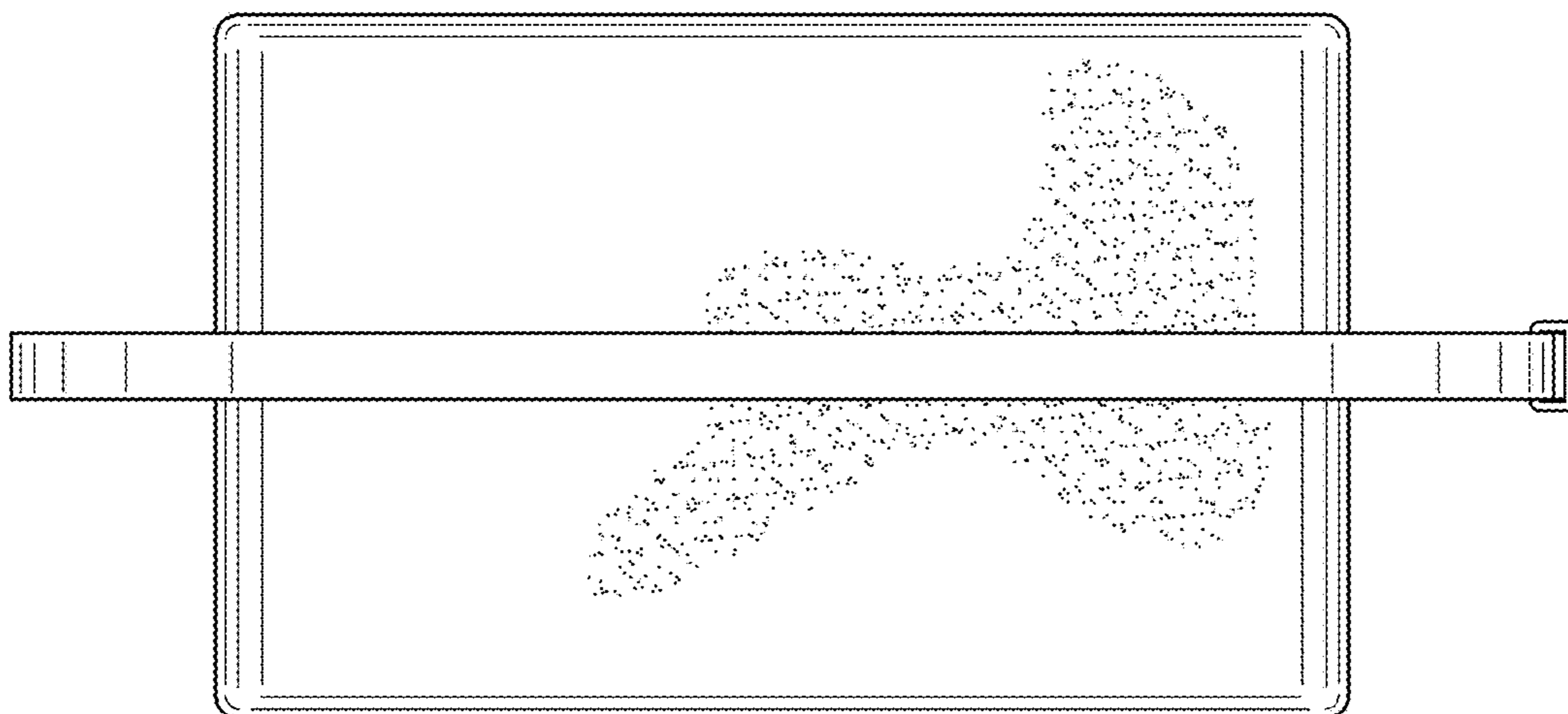


FIG. 2

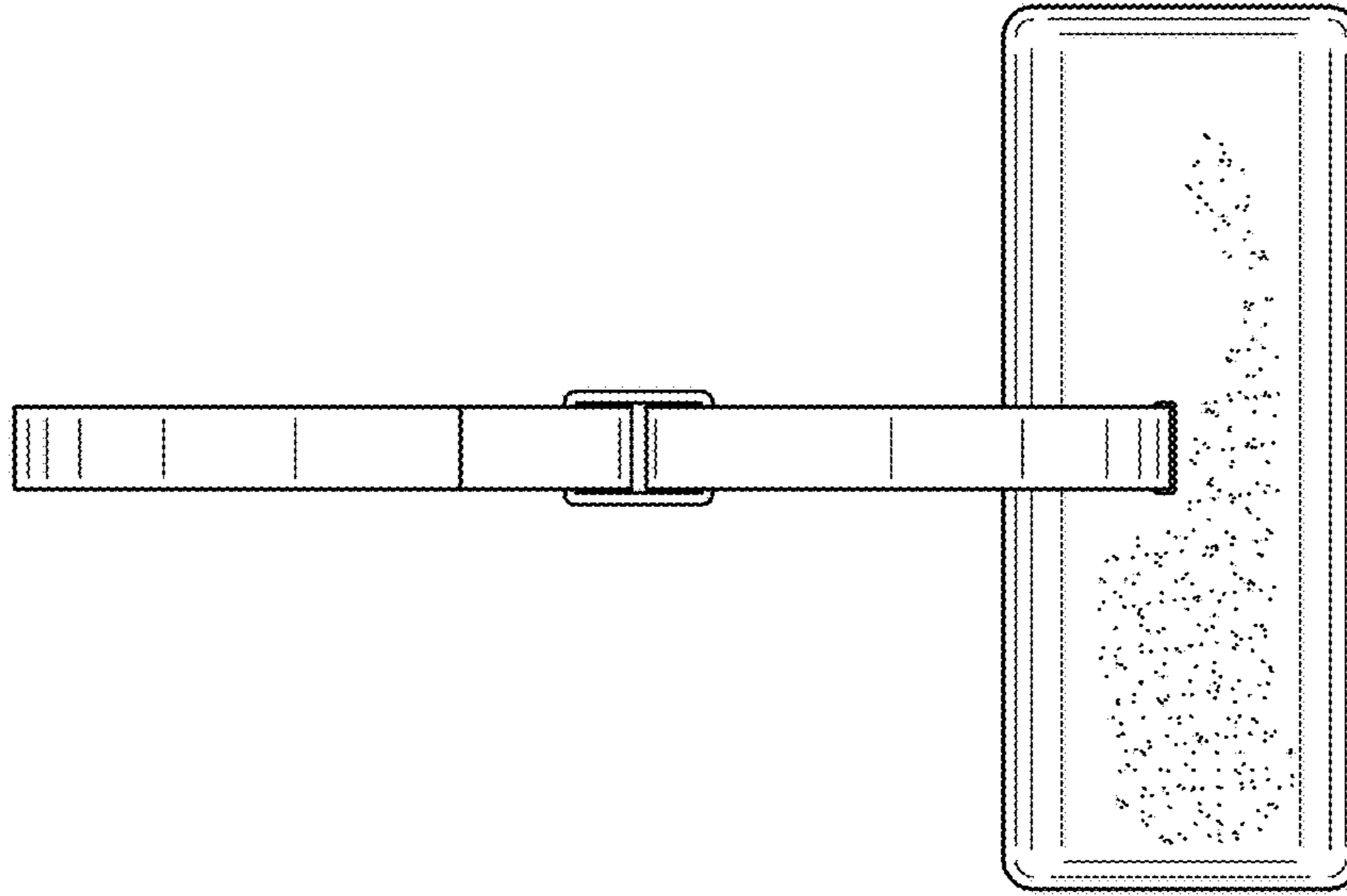


FIG. 3

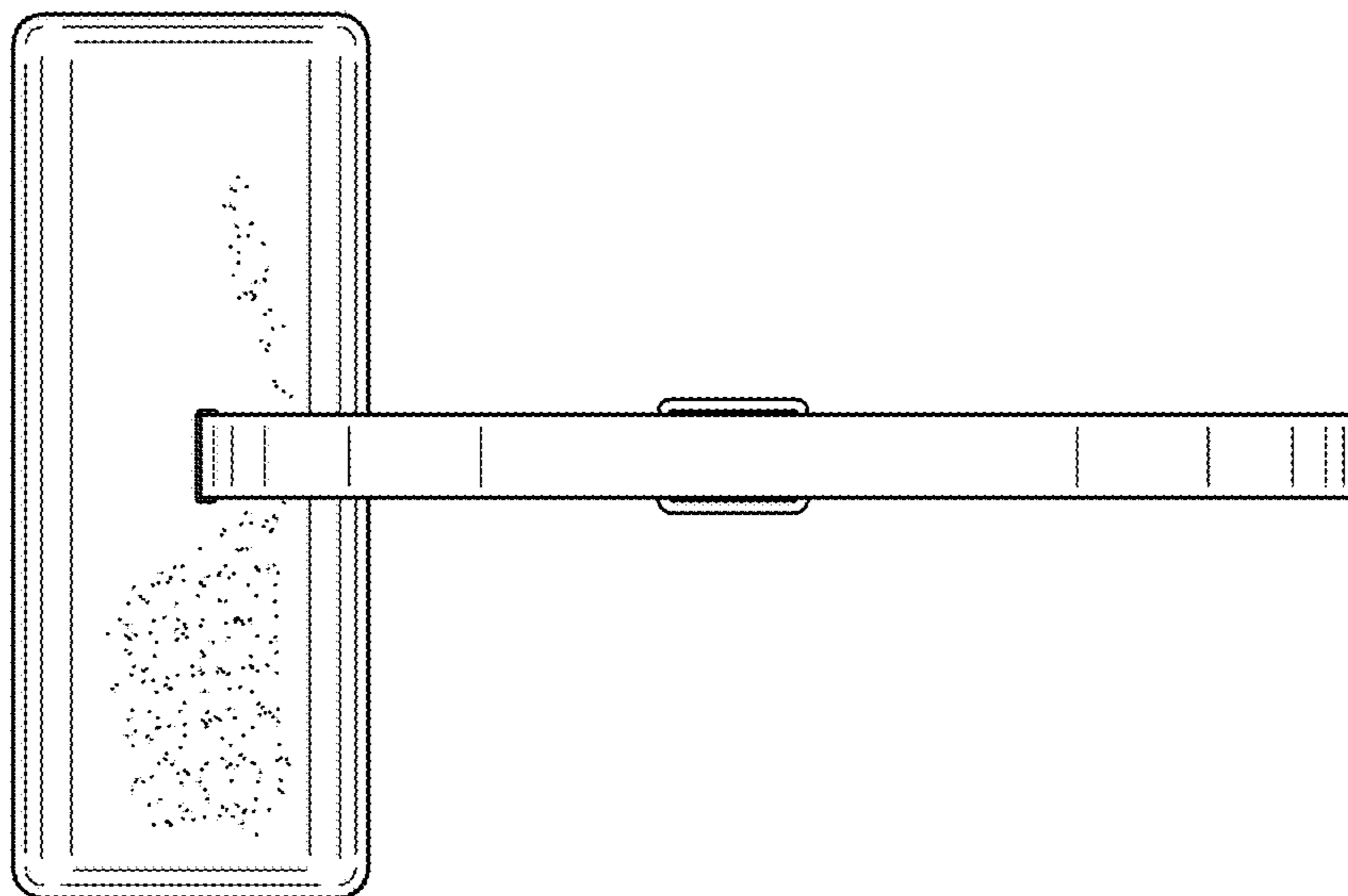


FIG. 4

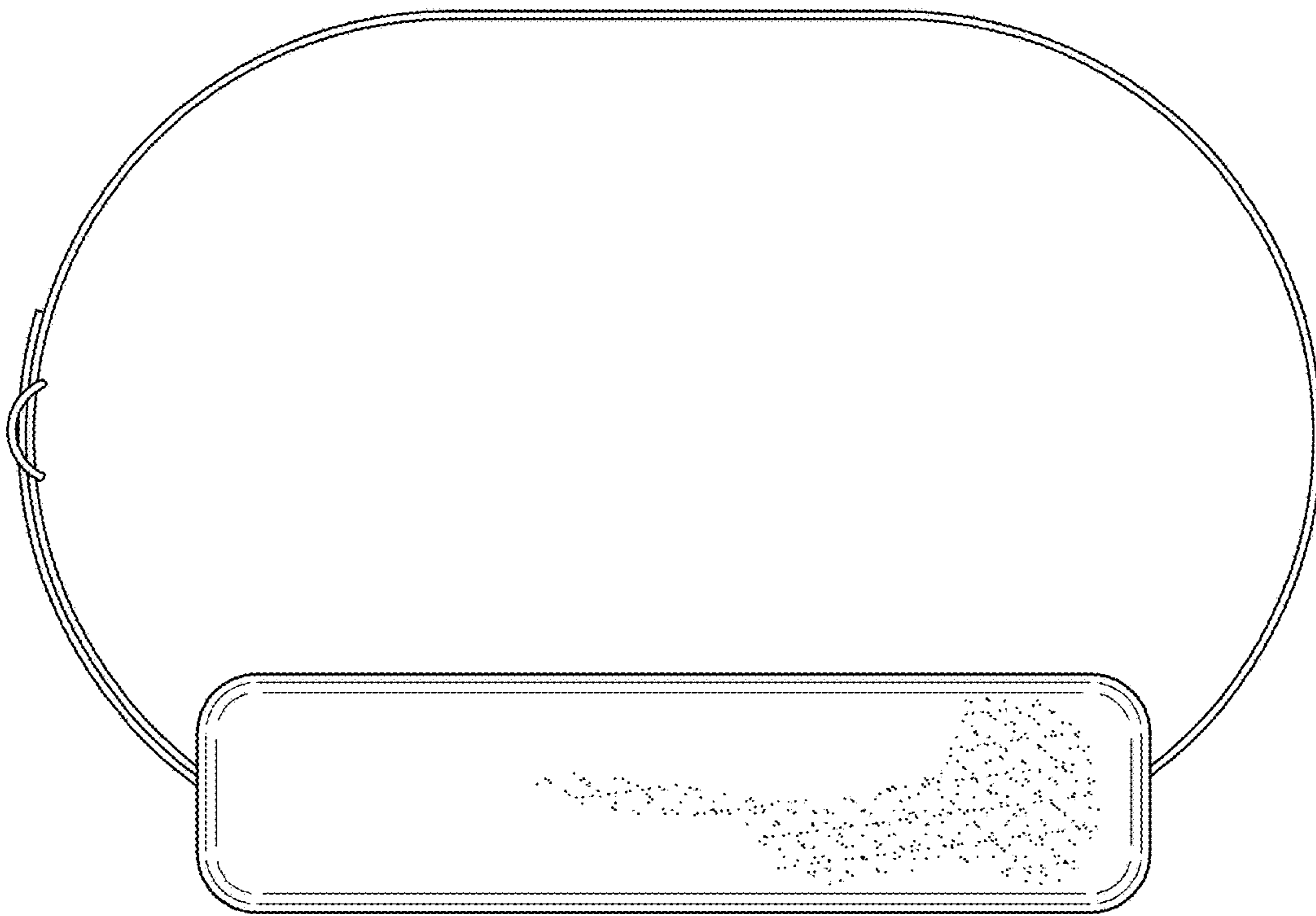


FIG. 5

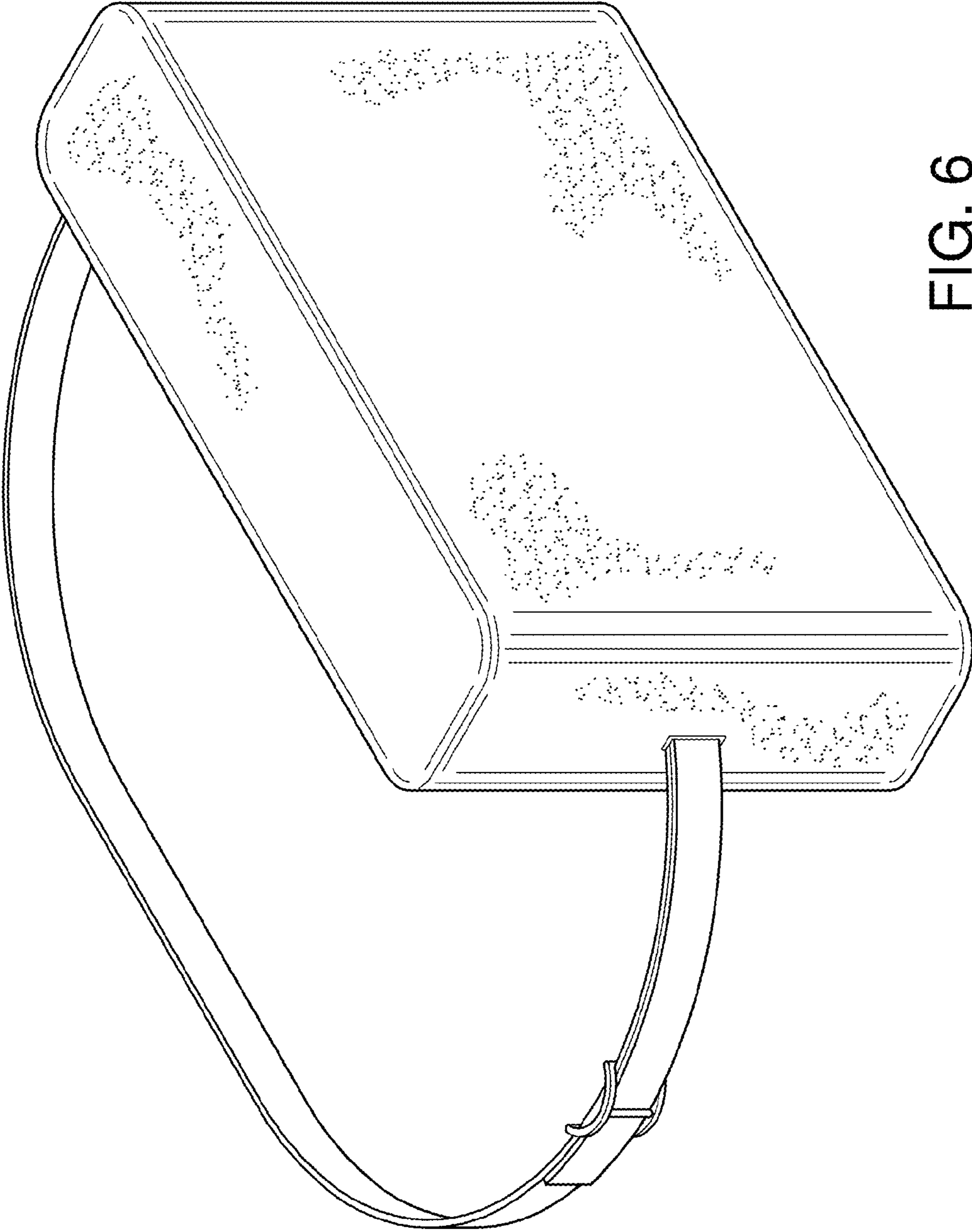


FIG. 6