



US00D793505S

(12) **United States Design Patent** (10) **Patent No.:** **US D793,505 S**  
**Cardani et al.** (45) **Date of Patent:** **\*\* Aug. 1, 2017**

(54) **GOLF CLUB HEAD FOR A PUTTER**

D639,879 S \* 6/2011 Lee ..... D21/736  
 8,790,193 B2 \* 7/2014 Serrano ..... A63B 53/04  
 473/331  
 2005/0130764 A1 \* 6/2005 Frame ..... A63B 53/0487  
 473/340

(71) Applicant: **NIKE, Inc.**, Beaverton, OR (US)

(72) Inventors: **Jason Cardani**, Portland, OR (US);  
**Andrew G.V. Oldknow**, Beaverton, OR (US);  
**Michael Prichard**, Portland, OR (US)

\* cited by examiner

*Primary Examiner* — Mitchell Siegel

(73) Assignee: **NIKE, Inc.**, Beaverton, OR (US)

(74) *Attorney, Agent, or Firm* — Banner & Witcoff, Ltd.

(\*\*) Term: **15 Years**

(57) **CLAIM**

(21) Appl. No.: **29/559,008**

The ornamental design for a golf club head for a putter, as shown and described.

(22) Filed: **Mar. 23, 2016**

**DESCRIPTION**

(51) **LOC (10) Cl.** ..... **21-02**

(52) **U.S. Cl.**  
USPC ..... **D21/759**

(58) **Field of Classification Search**  
USPC ..... D21/733-752, 759  
CPC ... A63B 53/065; A63B 53/0487; A63B 53/00;  
A63B 53/04; A63B 53/007  
See application file for complete search history.

FIG. 1 is a perspective of a golf club head for a putter showing our new design;  
FIG. 2 is a front view thereof;  
FIG. 3 is a rear view thereof;  
FIG. 4 is a toe end view thereof;  
FIG. 5 is a heel view thereof;  
FIG. 6 is a top view thereof; and,  
FIG. 7 is a bottom perspective view thereof.

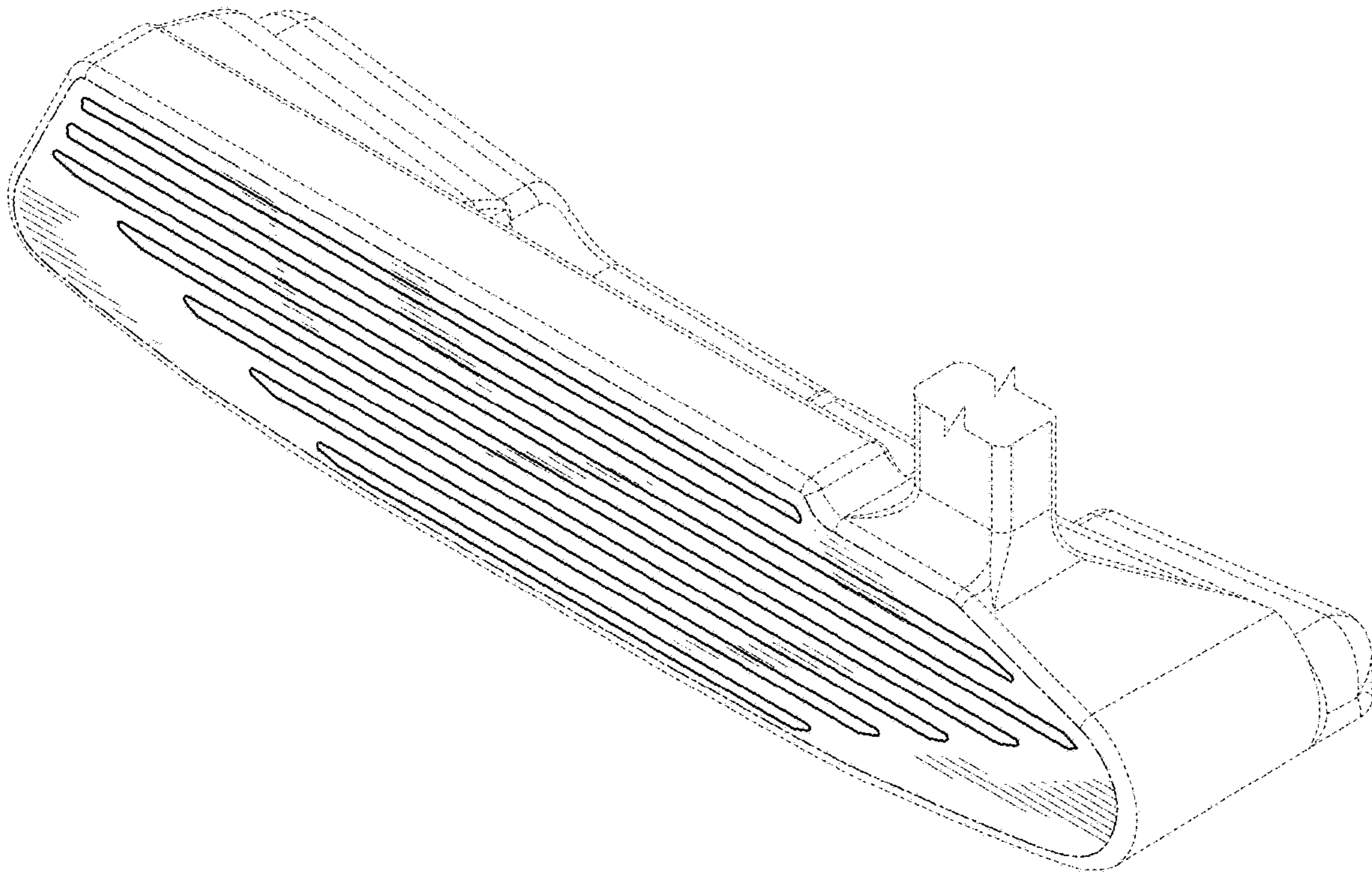
The broken lines immediately adjacent to the shaded area represent unclaimed boundaries of the design. The broken lines showing the remainder of the golf club are for environmental purposes only and form no part of the claimed design.

(56) **References Cited**

U.S. PATENT DOCUMENTS

D435,072 S \* 12/2000 Jaeckel ..... D21/738  
 D466,173 S \* 11/2002 Sizemore, Jr. .... D21/736  
 D530,764 S \* 10/2006 Frame ..... D21/738  
 D553,702 S \* 10/2007 Frame ..... D21/759

**1 Claim, 6 Drawing Sheets**



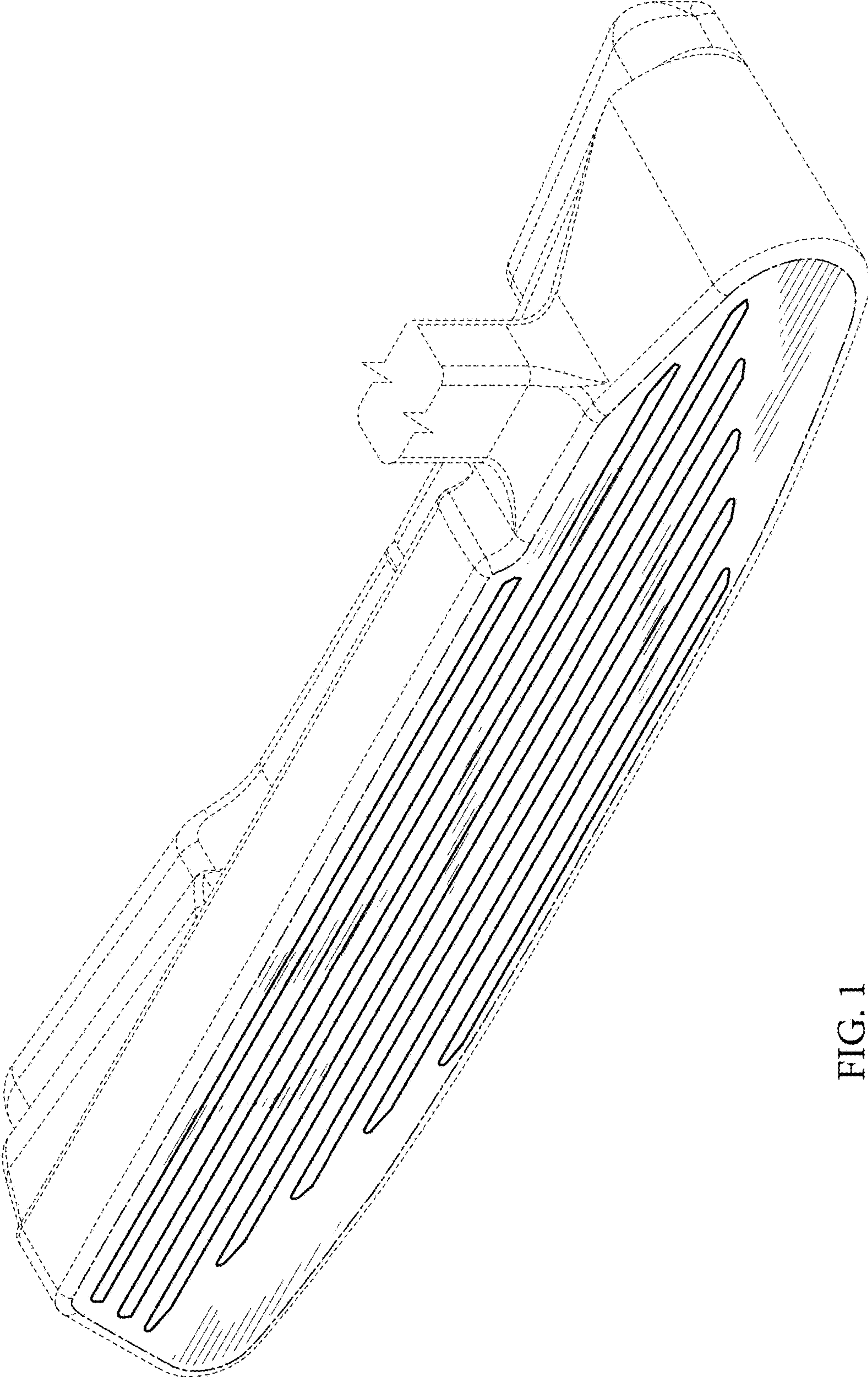


FIG. 1

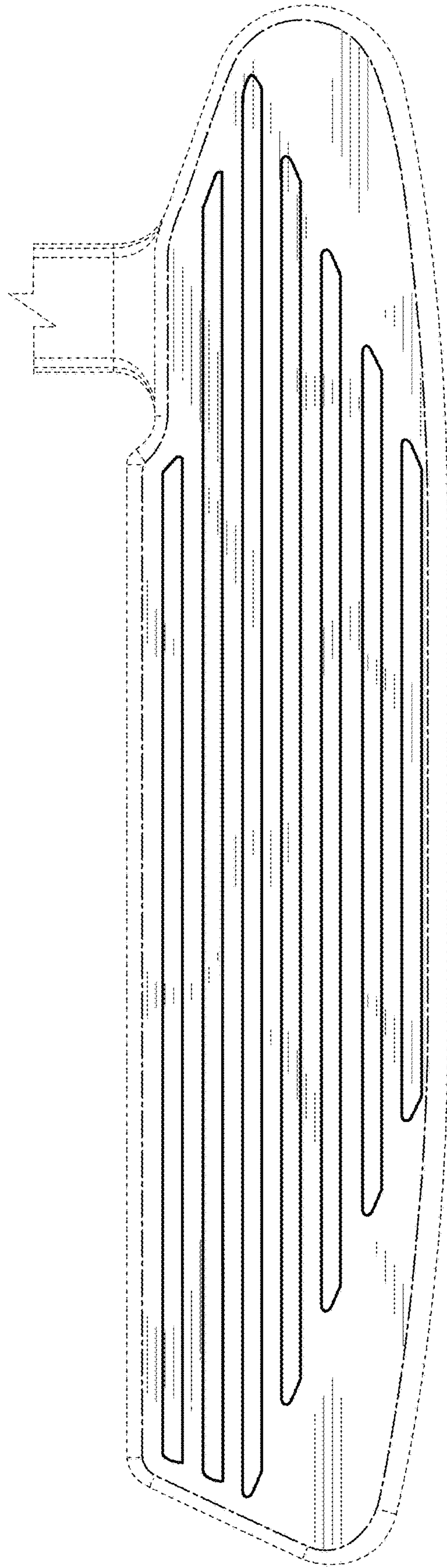


FIG. 2



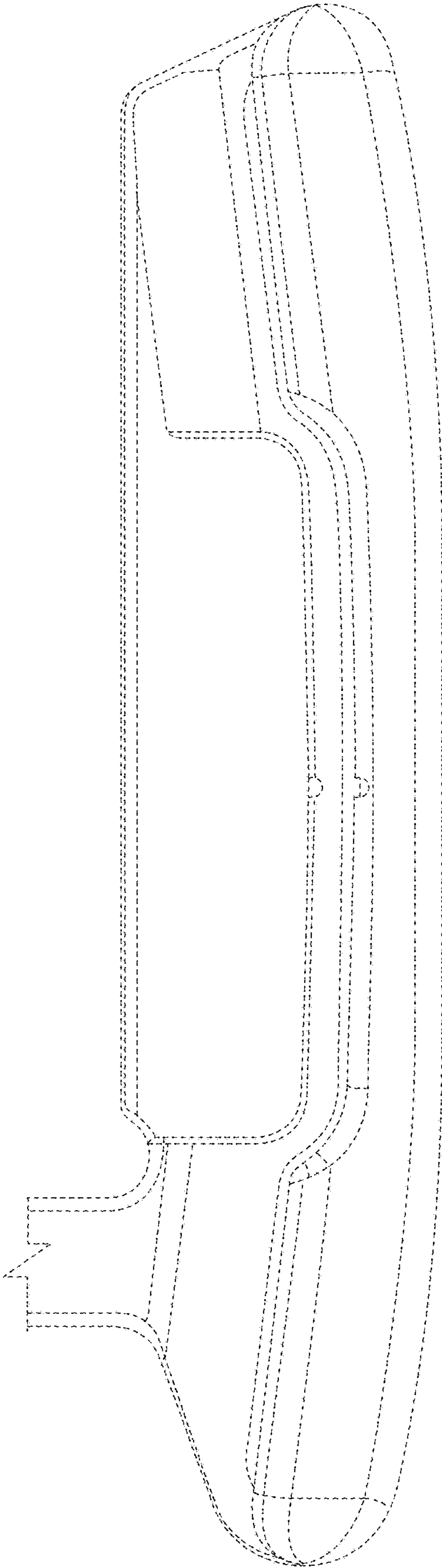


FIG. 3

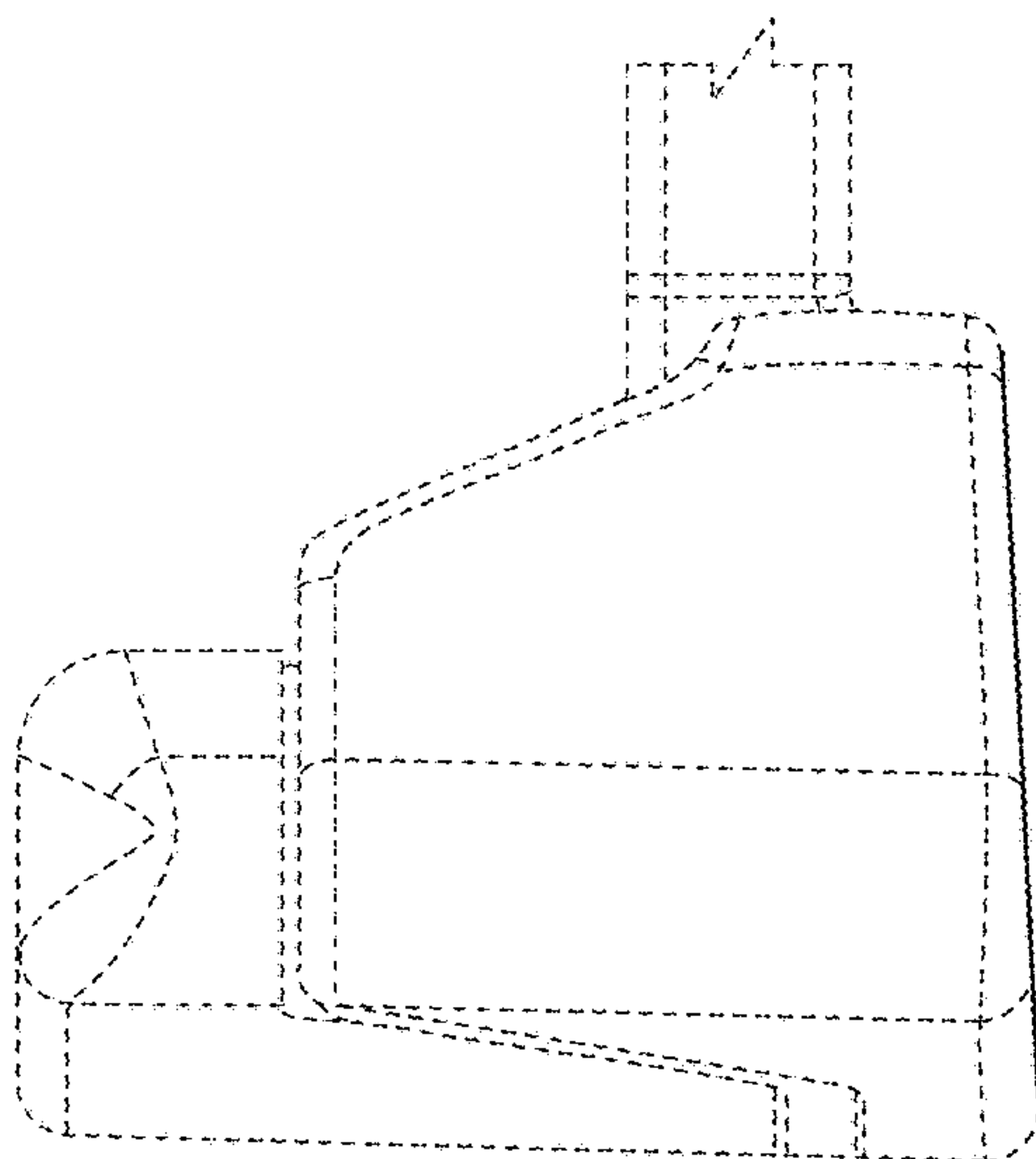


FIG. 4

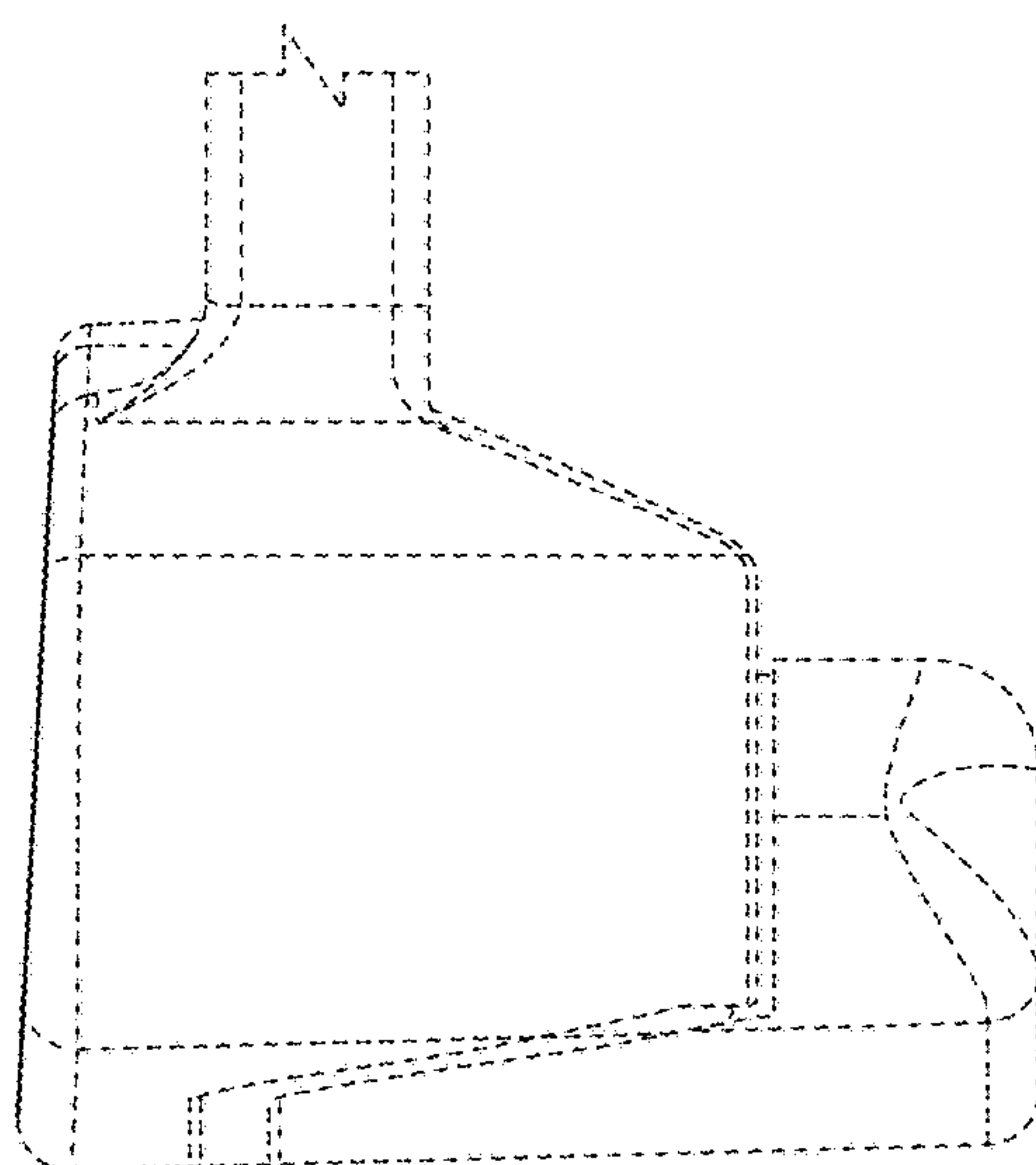


FIG. 5

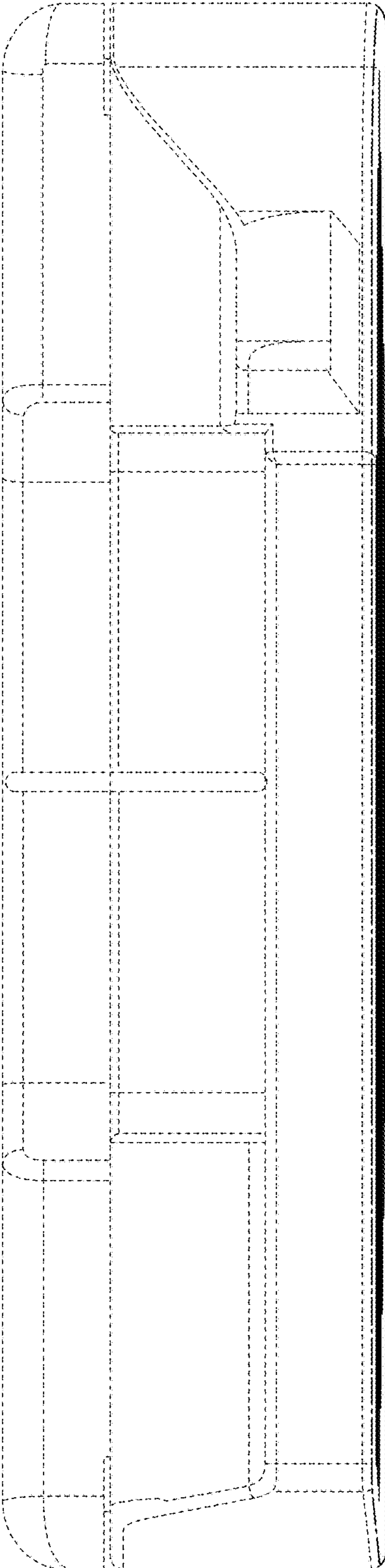


FIG. 6

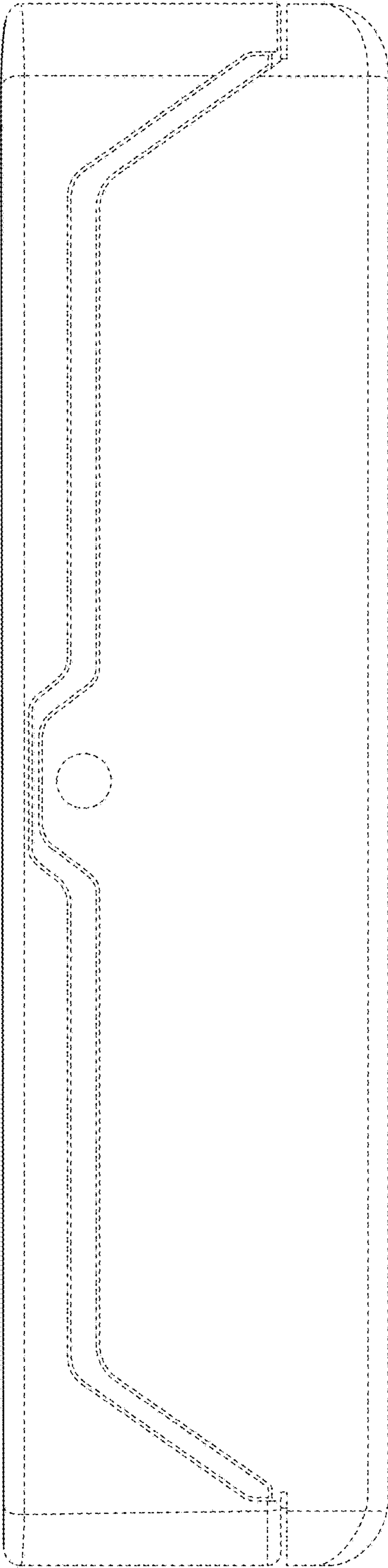


FIG. 7