



US00D793504S

(12) **United States Design Patent**
Cardani et al.

(10) **Patent No.:** **US D793,504 S**

(45) **Date of Patent:** **** Aug. 1, 2017**

(54) **GOLF CLUB HEAD FOR A PUTTER**

(71) Applicant: **NIKE, Inc.**, Beaverton, OR (US)

(72) Inventors: **Jason Cardani**, Portland, OR (US);
Andrew G. V. Oldknow, Beaverton,
OR (US); **Michael Prichard**, Portland,
OR (US)

(73) Assignee: **NIKE, Inc.**, Beaverton, OR (US)

(**) Term: **15 Years**

(21) Appl. No.: **29/559,004**

(22) Filed: **Mar. 23, 2016**

(51) **LOC (10) Cl.** **21-02**

(52) **U.S. Cl.**
USPC **D21/759**

(58) **Field of Classification Search**
USPC D21/733-752, 759
CPC ... A63B 53/065; A63B 53/0487; A63B 53/00;
A63B 53/04; A63B 53/007
See application file for complete search history.

(56) **References Cited**

U.S. PATENT DOCUMENTS

D496,084 S *	9/2004	Imamoto	D21/759
D500,824 S *	1/2005	Imamoto	D21/759
D565,686 S *	4/2008	Homma	D21/759
D574,456 S *	8/2008	Chen	D21/759
D574,914 S *	8/2008	Oldknow	D21/759
D577,399 S *	9/2008	Oldknow	D21/759
D583,433 S *	12/2008	Oldknow	D21/759

D618,749 S *	6/2010	Morris	D21/759
D665,863 S *	8/2012	Gonzalez	D21/759
D680,180 S *	4/2013	Clausen	D21/759
D751,659 S *	3/2016	Dolezel	D21/759
D754,270 S *	4/2016	Dolezel	D21/759
D762,274 S *	7/2016	Cardani	D21/759
D763,382 S *	8/2016	Cardani	D21/759
D764,611 S *	8/2016	Cardani	D21/759
D765,198 S *	8/2016	Cardani	D21/759
D769,385 S *	10/2016	Tang	D21/759
D777,272 S *	1/2017	Serrano	D21/759

* cited by examiner

Primary Examiner — Mitchell Siegel

(74) *Attorney, Agent, or Firm* — Banner & Witcoff, Ltd.

(57) **CLAIM**

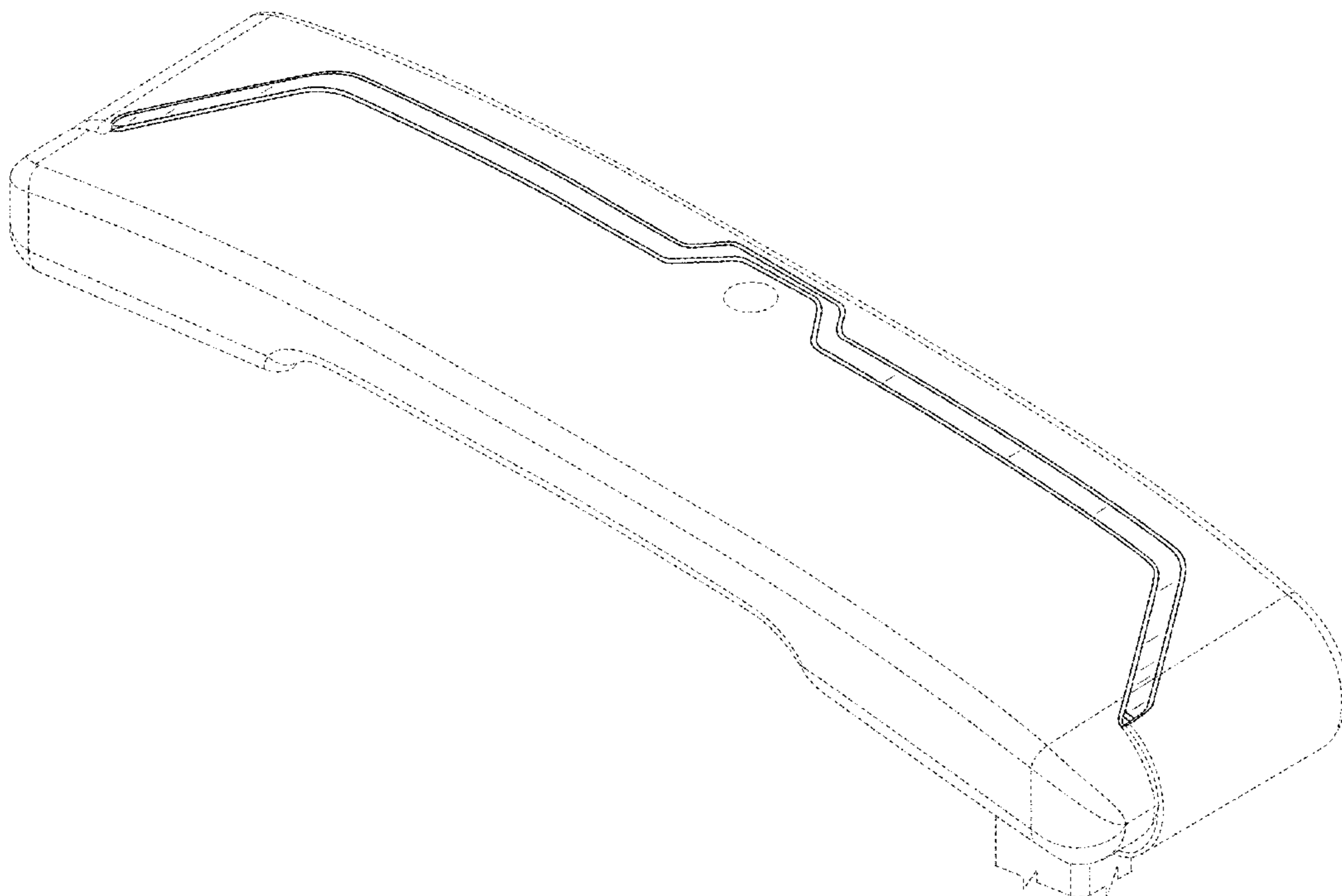
The ornamental design for a golf club head for a putter, as shown and described.

DESCRIPTION

FIG. 1 is a bottom perspective view of a golf club head for a putter showing our new design;
FIG. 2 is a bottom view thereof;
FIG. 3 is a top view thereof;
FIG. 4 is a front view thereof;
FIG. 5 is a rear view thereof;
FIG. 6 is a toe end view thereof; and,
FIG. 7 is a heel end view thereof.

The broken lines immediately adjacent to the shaded area represent unclaimed boundaries of the design. The broken lines showing the remainder of the golf club are for environmental purposes only and form no part of the claimed design.

1 Claim, 6 Drawing Sheets



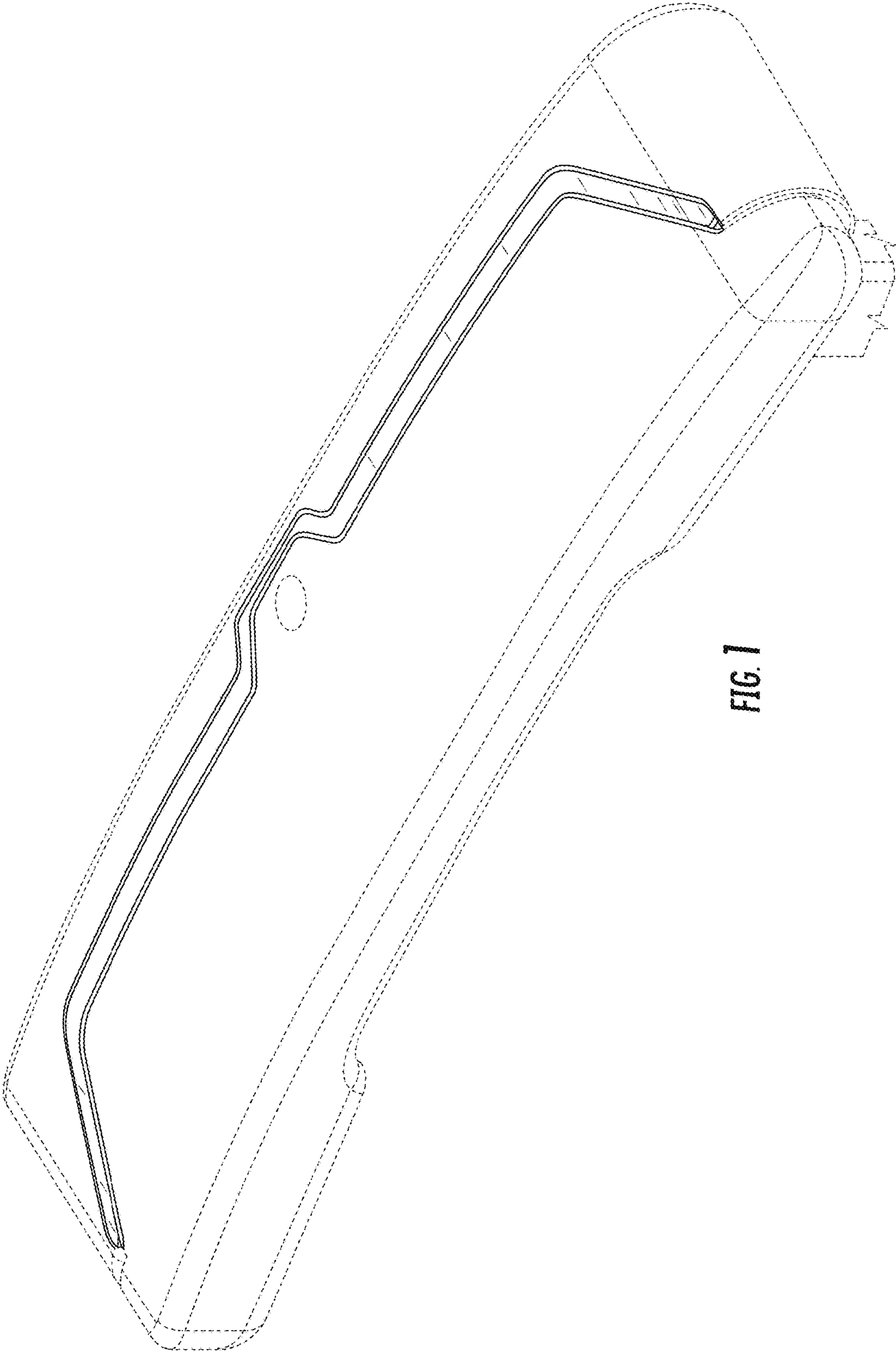


FIG. 1

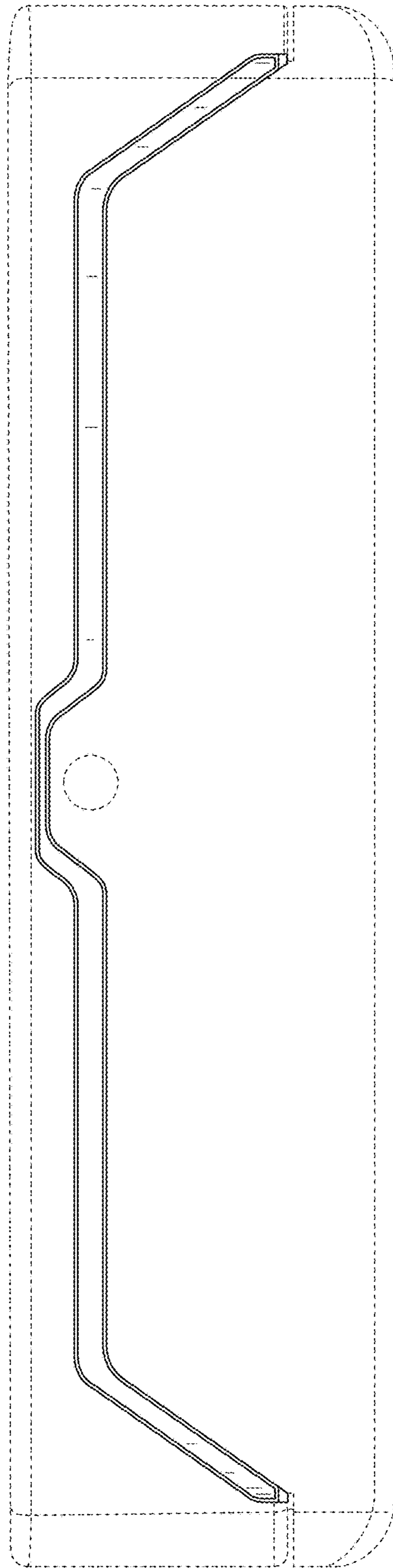


FIG. 2

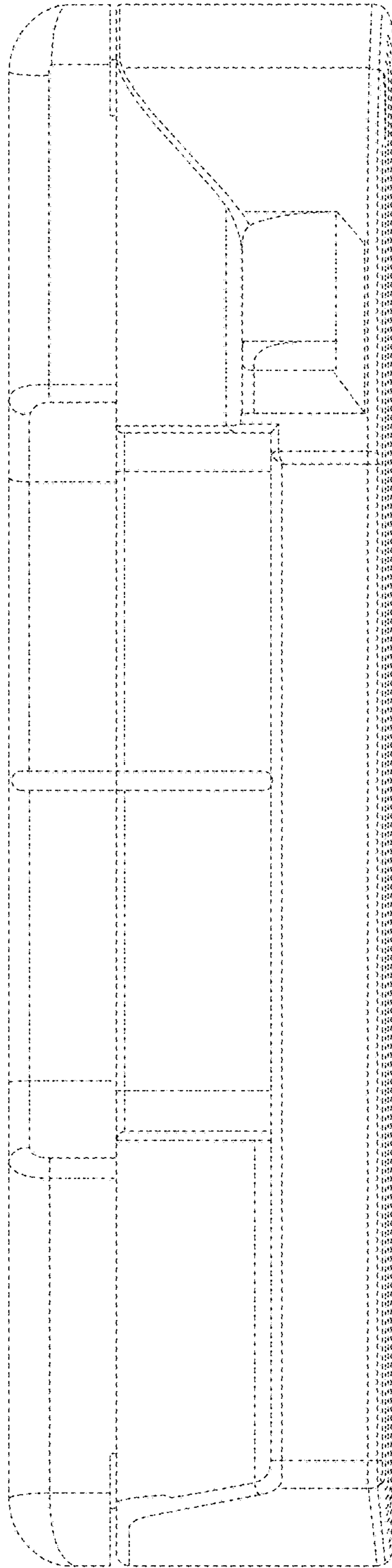


FIG. 3

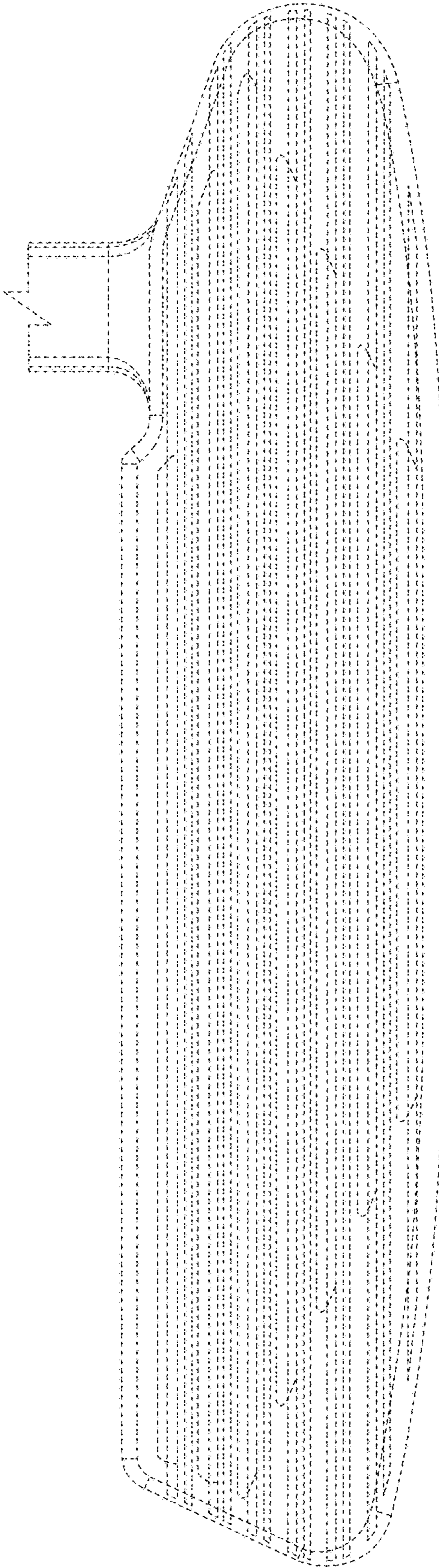


FIG. 4

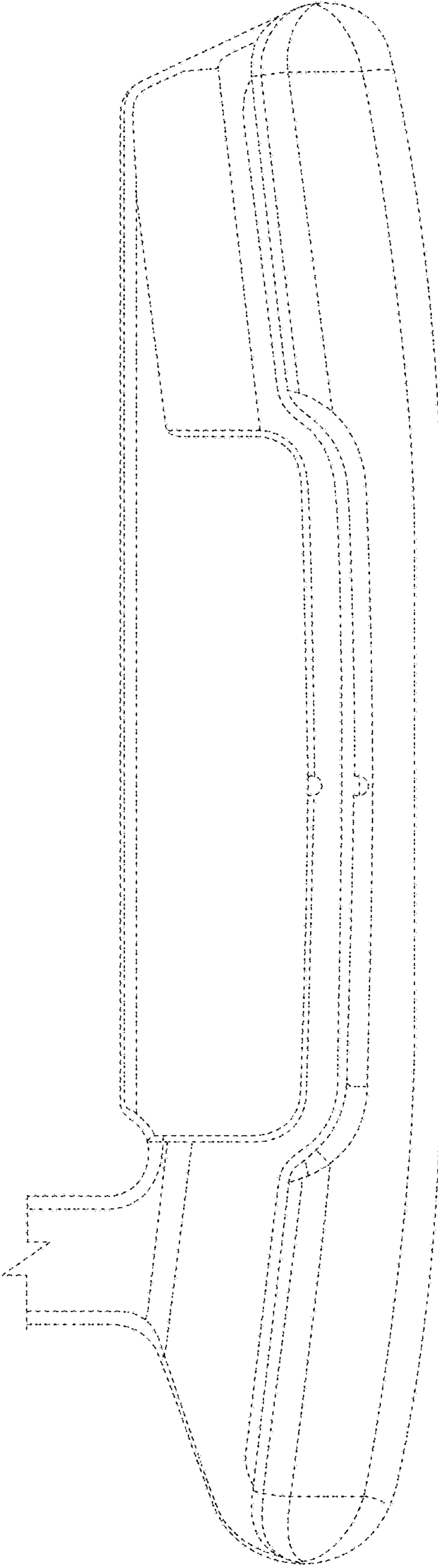


FIG. 5

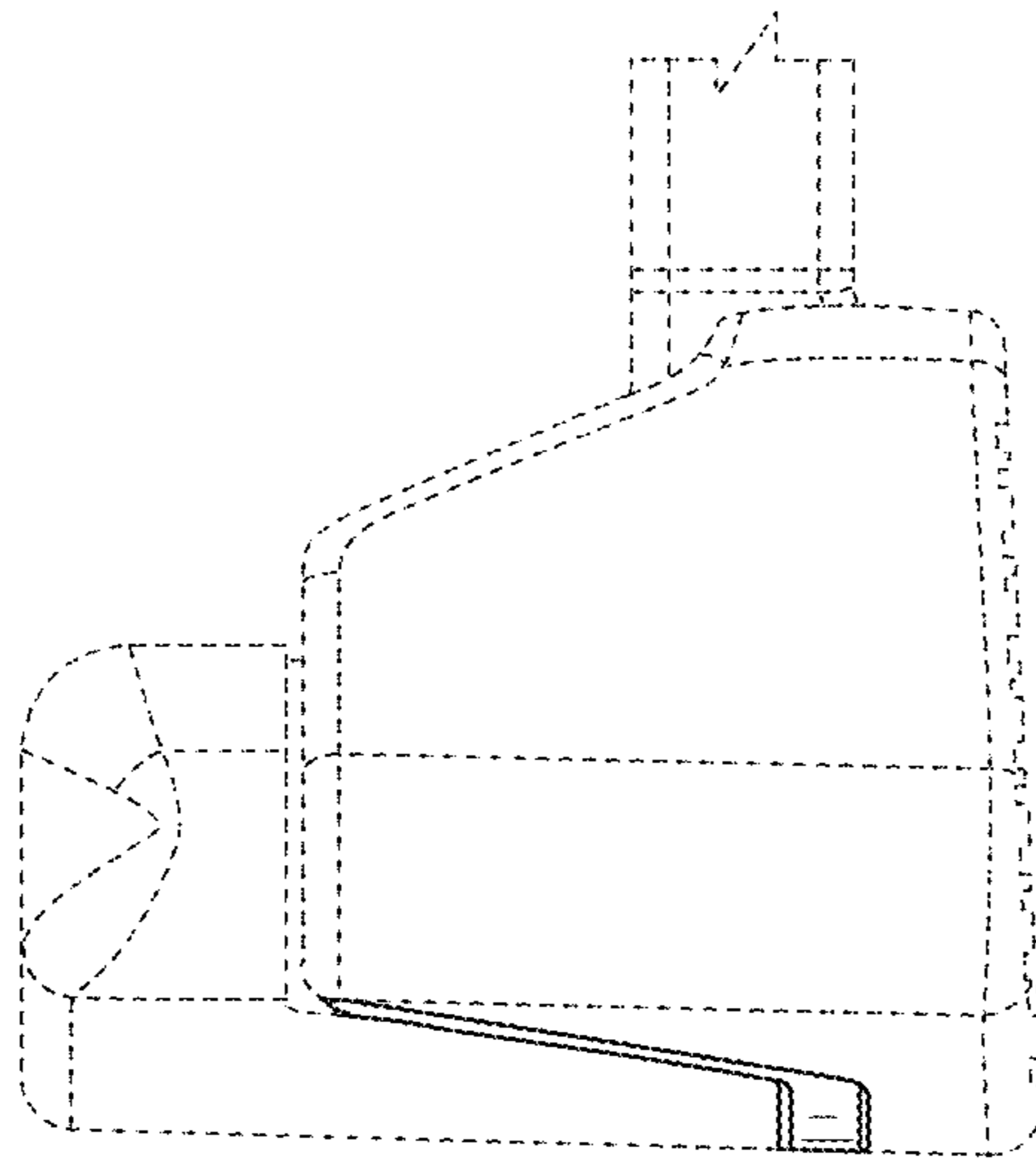


FIG. 6

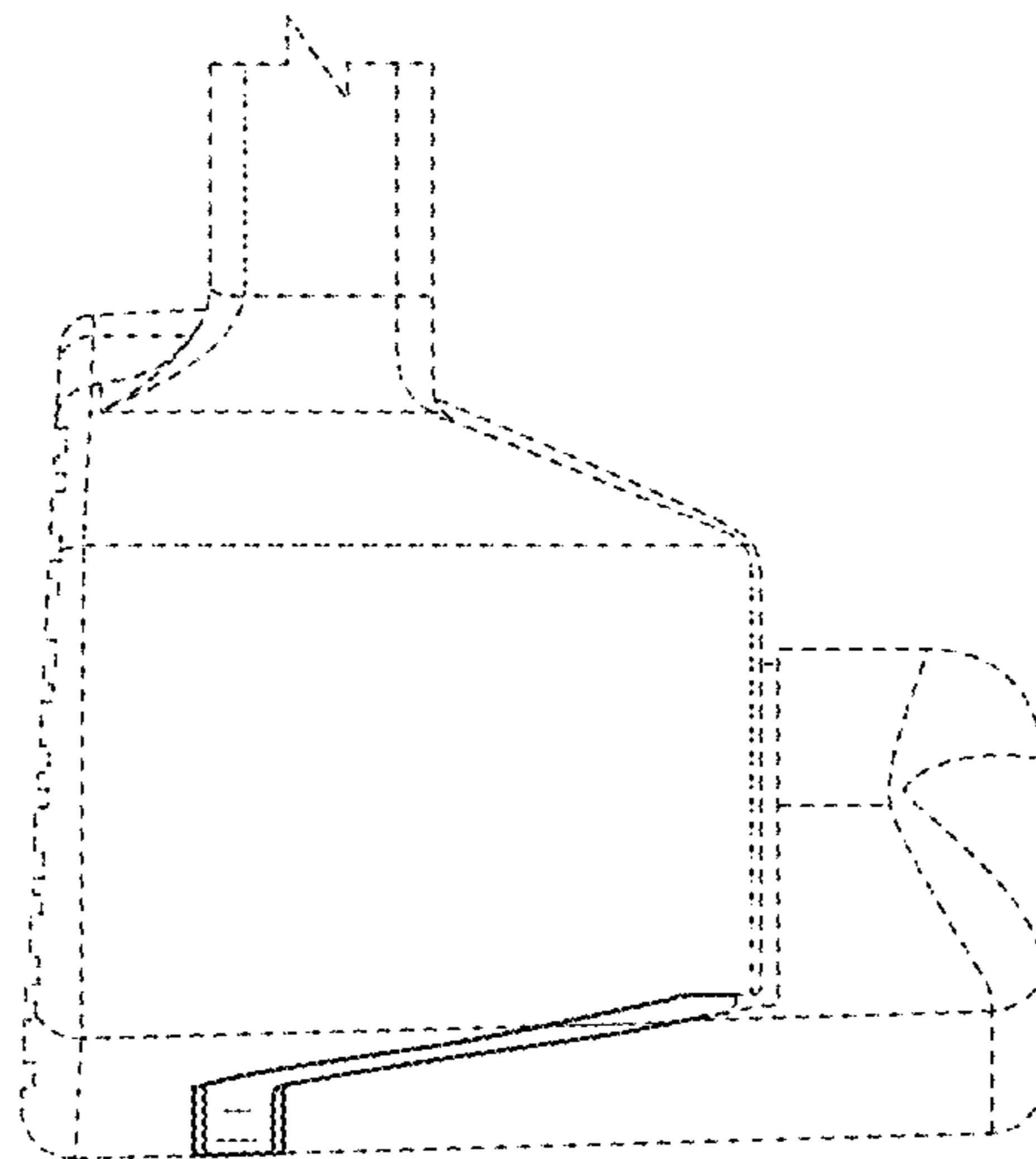


FIG. 7