



US00D793500S

(12) **United States Design Patent**
Dingle

(10) **Patent No.:** **US D793,500 S**

(45) **Date of Patent:** **** Aug. 1, 2017**

- (54) **TOY FOOTBALL**
- (71) Applicant: **Performance Designed Products LLC**,
Burbank, CA (US)
- (72) Inventor: **Christopher K. Dingle**, Los Angeles,
CA (US)
- (73) Assignee: **Performance Designed Products LLC**,
Burbank, CA (US)
- (**) Term: **15 Years**
- (21) Appl. No.: **29/550,458**
- (22) Filed: **Jan. 4, 2016**
- (51) **LOC (10) Cl.** **21-02**
- (52) **U.S. Cl.**
USPC **D21/712**
- (58) **Field of Classification Search**
USPC D21/707-714, 662; D30/160; D11/75,
D11/76, 62, 121; D26/1-4, 40, 122, 123,
D26/131, 134, 154; 473/569-577,
473/593-615
CPC . A63B 37/00; A63B 37/0003; A63B 37/0005;
A63B 37/0006; A63B 37/0007; A63B
37/0009; A63B 37/0011; A63B 37/0097;
A63B 37/0098; A63B 37/14; A63B
37/12; A63B 39/00; A63B 39/06; A63B
39/08; A63B 2039/003; A63B 2039/006;
A63B 41/00; A63B 41/08; A63B 41/085;
A63B 43/02; A63B 43/002; A63B
43/008; A63B 43/06; A63B 2043/001
See application file for complete search history.

- 6,582,330 B1 * 6/2003 Rehkemper A63B 41/00
446/484
- 6,722,889 B1 * 4/2004 Page A63B 41/08
434/251
- D755,450 S * 5/2016 Setser D30/160
- 2007/0178997 A1 * 8/2007 Chang A63B 41/02
473/603
- 2008/0039250 A1 * 2/2008 Martino A63B 43/00
473/613
- 2009/0156092 A1 * 6/2009 Zawitz A63B 39/00
446/438
- 2013/0130848 A1 * 5/2013 Homsy A63B 43/008
473/570
- 2013/0167290 A1 * 7/2013 Ben Ezra A63B 71/10
2/425
- 2015/0246266 A1 * 9/2015 Zawitz A63B 43/06
473/570
- 2016/0273738 A1 * 9/2016 Wolfenbarger F21V 15/01

* cited by examiner

Primary Examiner — Catherine Tuttle

(74) *Attorney, Agent, or Firm* — Sheppard Mullin Richter & Hampton LLP

(57) **CLAIM**

The ornamental design for a toy football, as shown and described.

DESCRIPTION

FIG. 1 is a top perspective view of the toy football showing my new design;

FIG. 2 is a right side view of FIG. 1;

FIG. 3 is a left side view of FIG. 1;

FIG. 4 is a rear end view of FIG. 1;

FIG. 5 is a front end view of FIG. 1;

FIG. 6 is a top view of FIG. 1; and,

FIG. 7 is a bottom side view of FIG. 1.

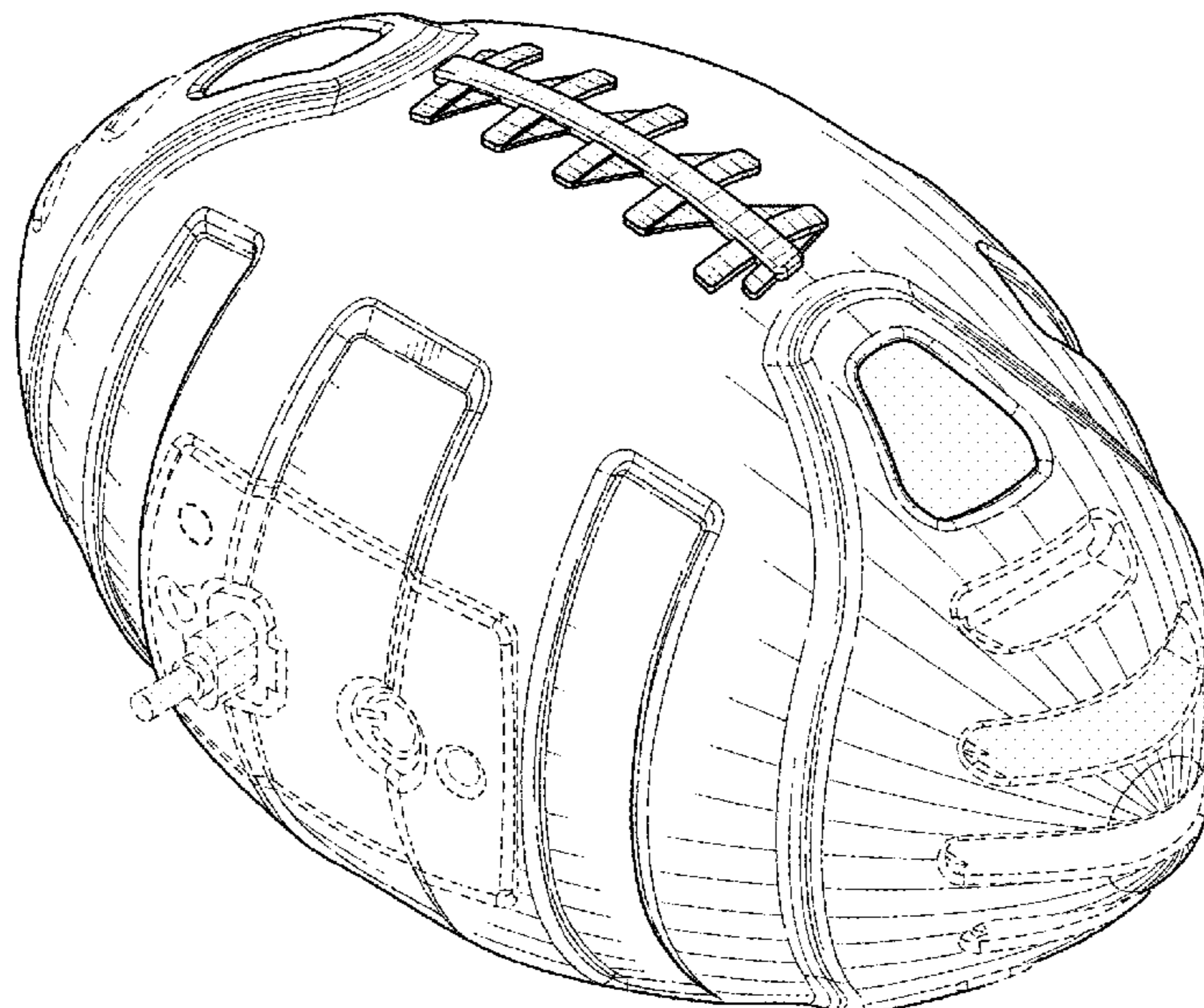
The broken lines are included for the purpose of illustrating the portions of the toy ball that form no part of the claimed design.

(56) **References Cited**

U.S. PATENT DOCUMENTS

- D411,269 S * 6/1999 Albarelli, Jr. D21/712
- D421,034 S * 2/2000 Shirley D16/227

1 Claim, 4 Drawing Sheets



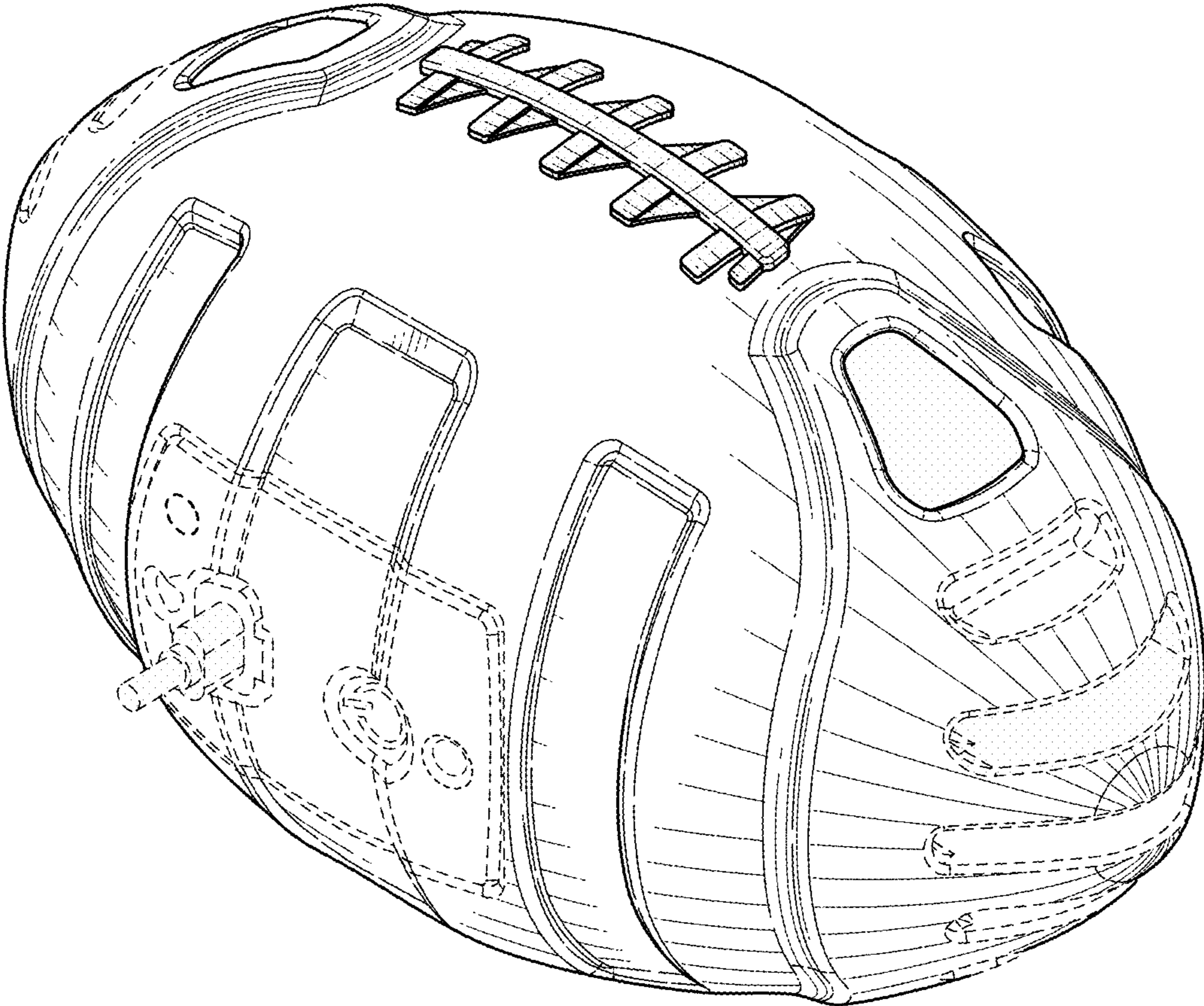


FIG. 1

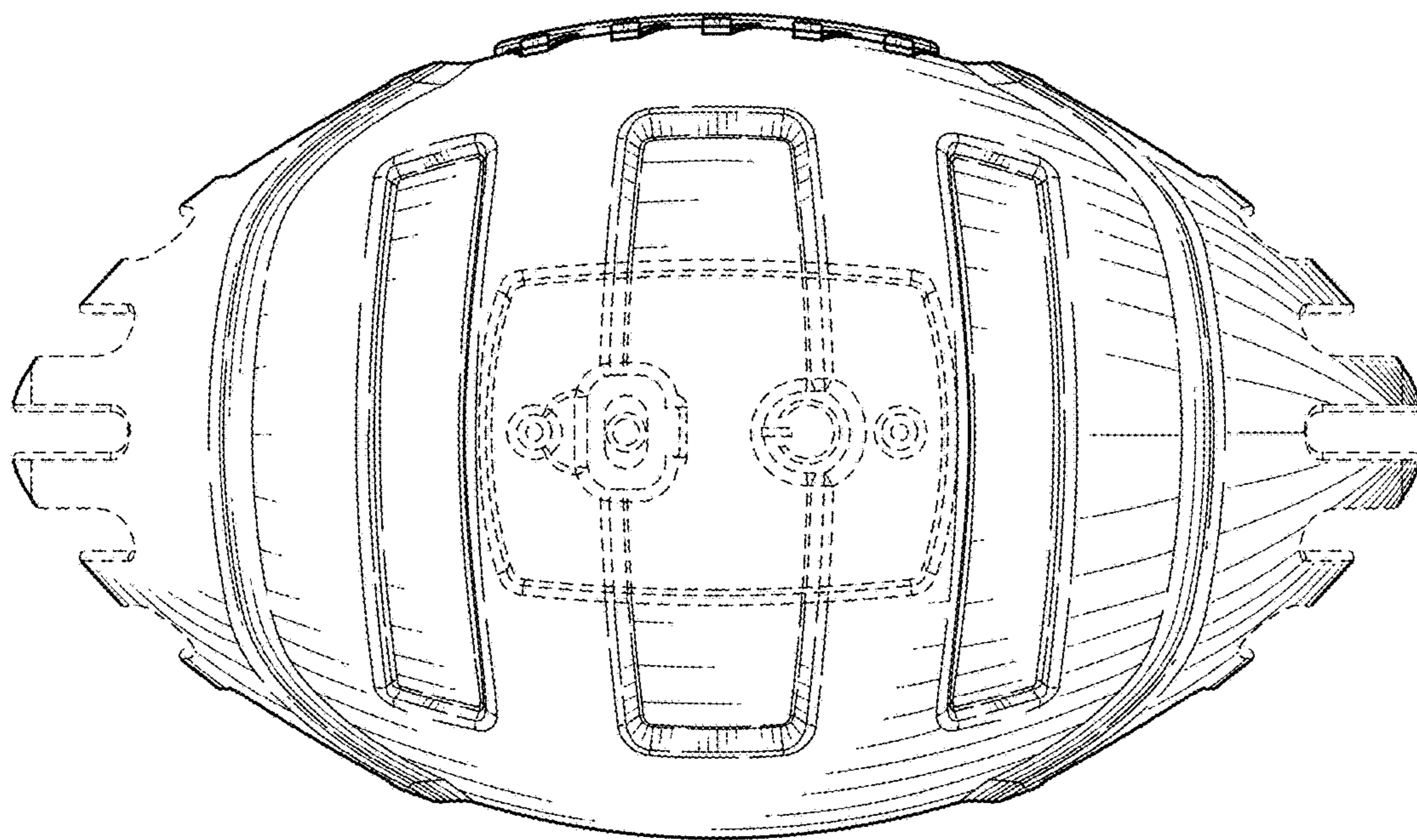


FIG. 2

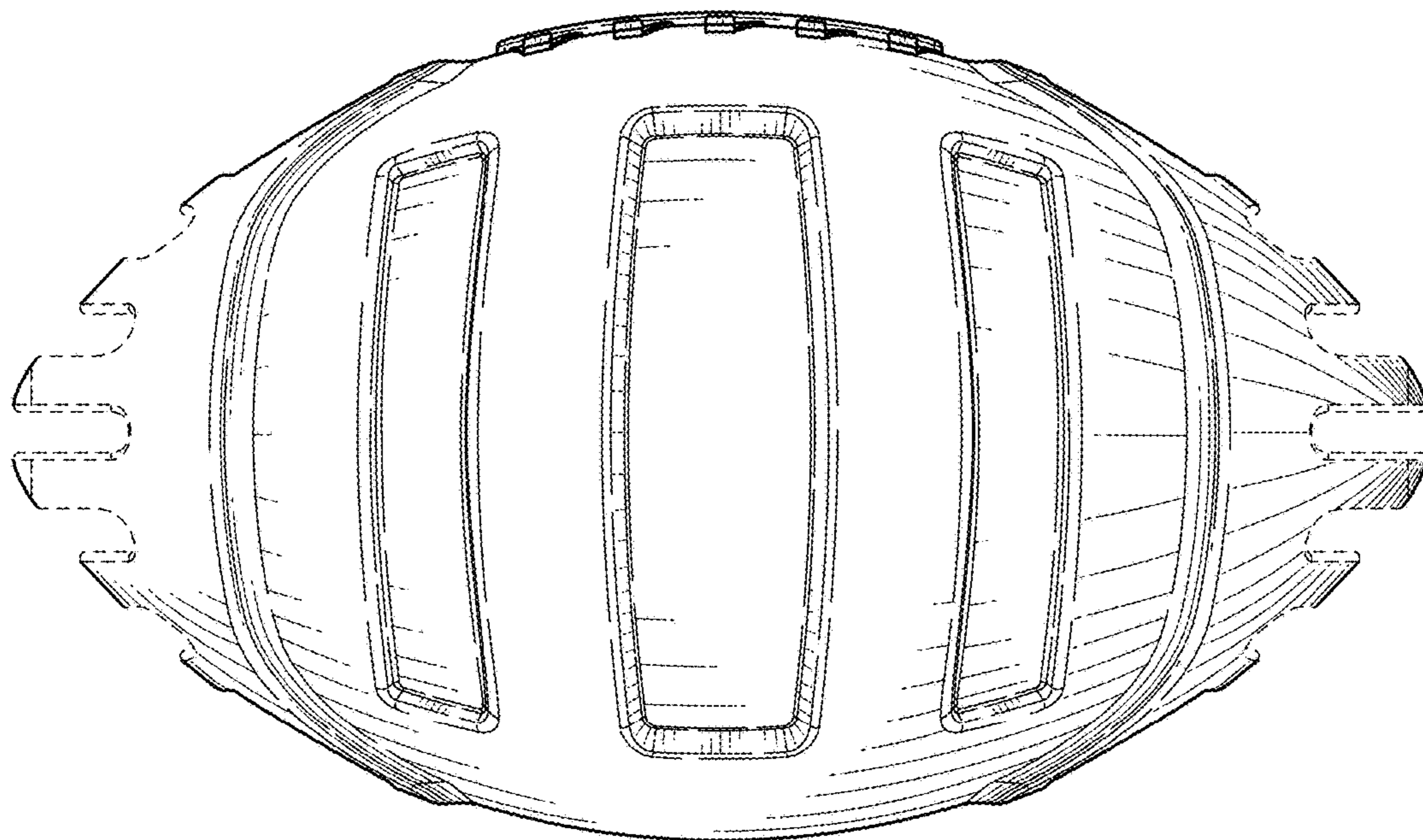


FIG. 3

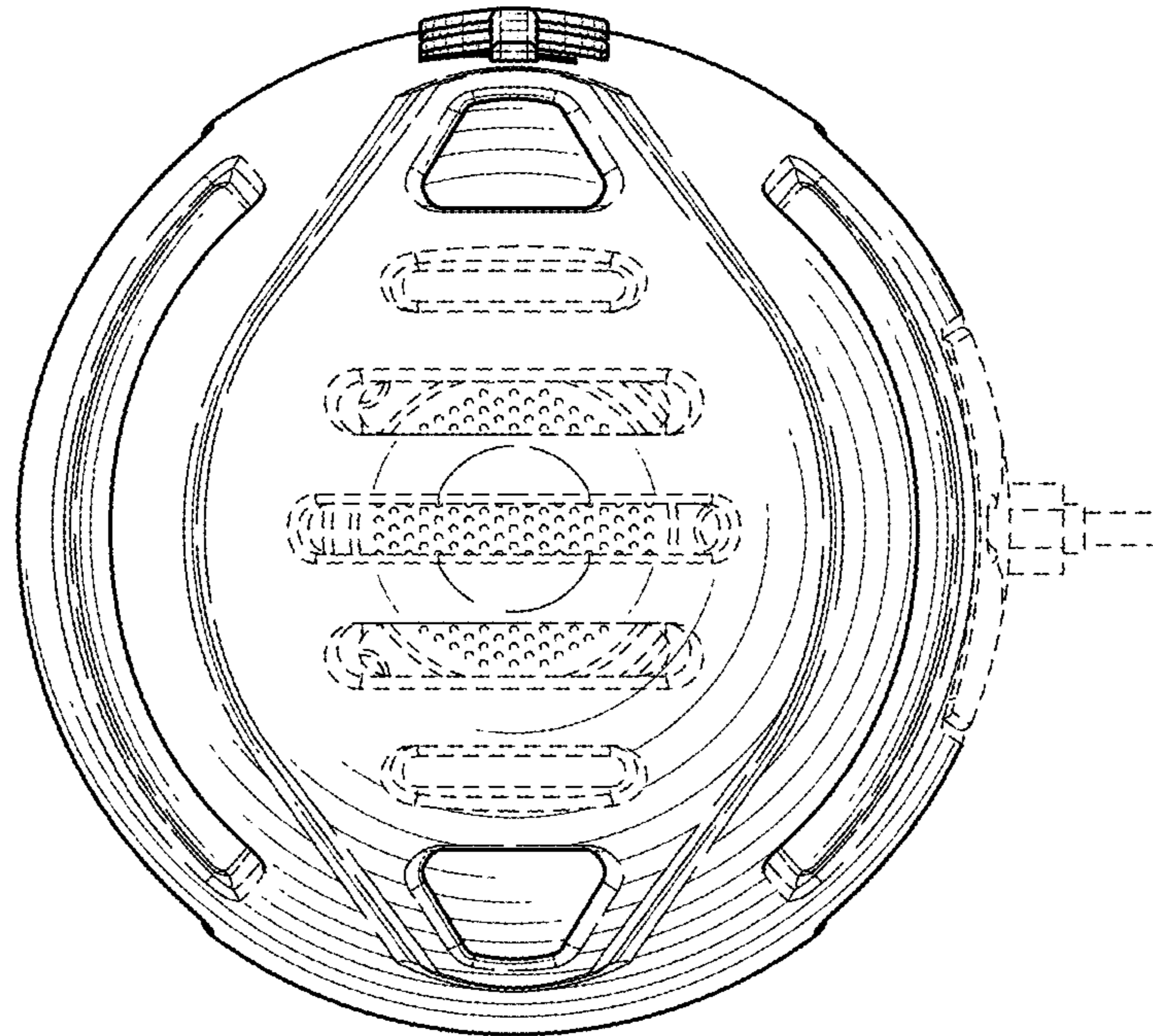


FIG. 4

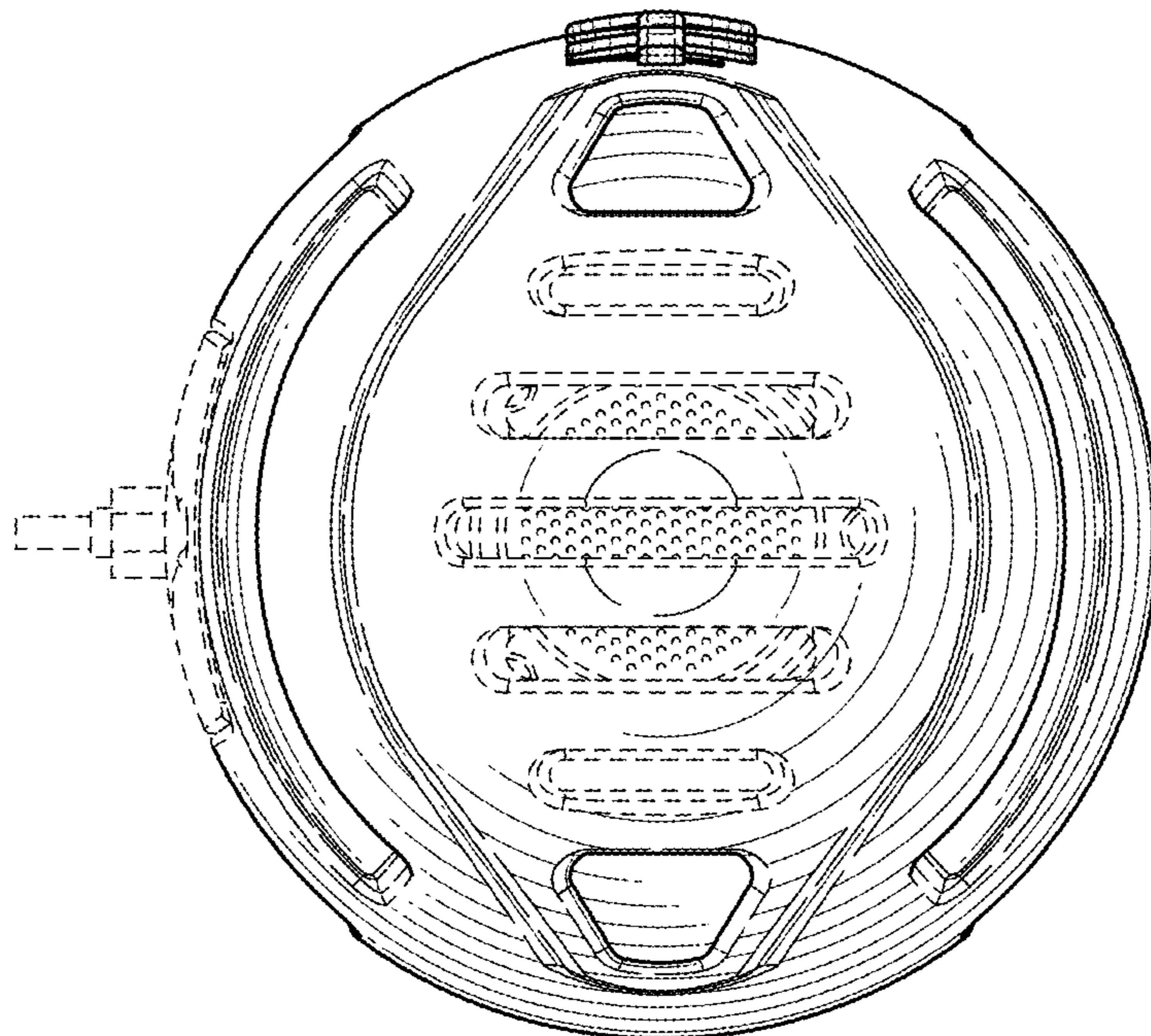


FIG. 5

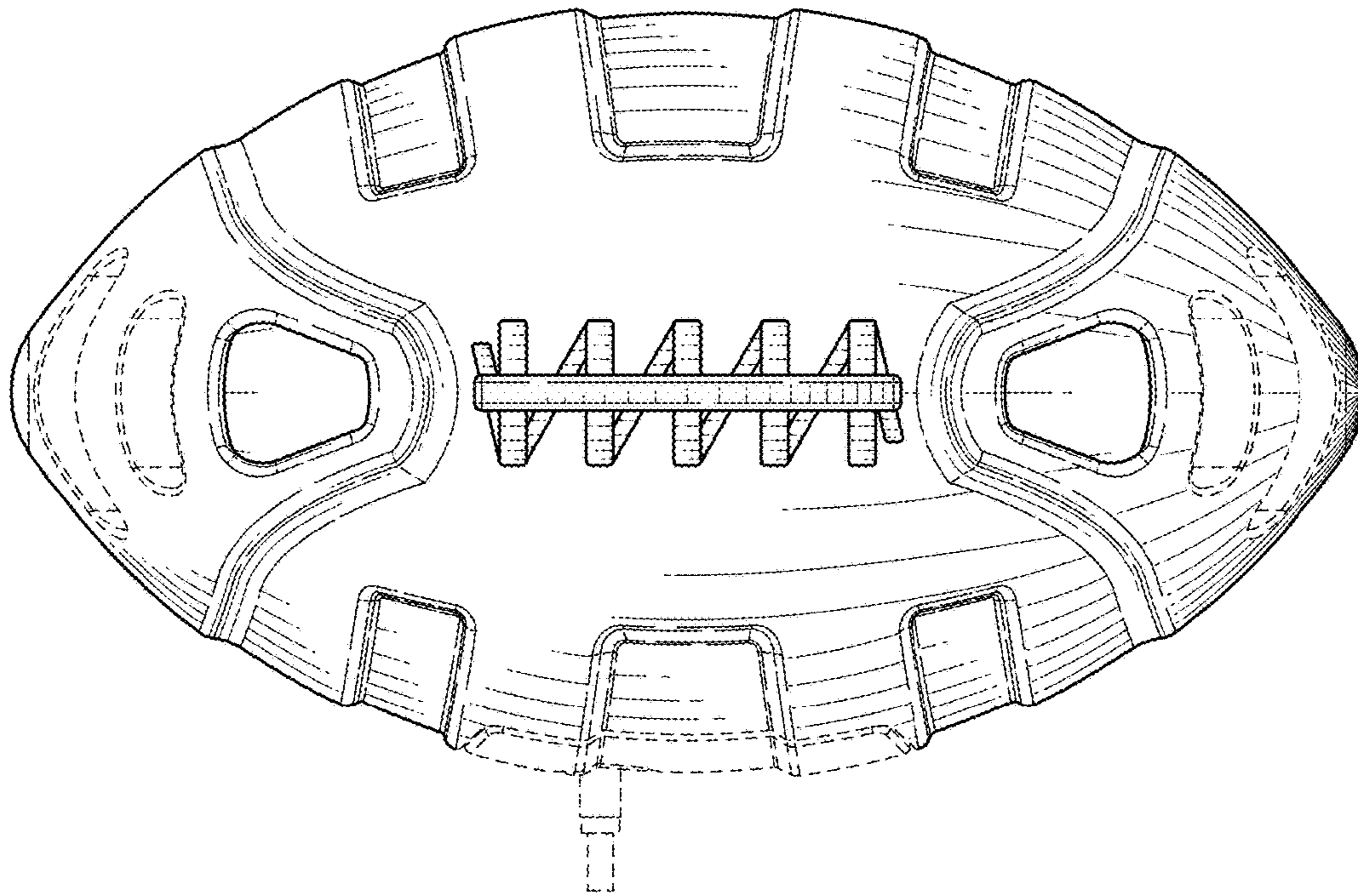


FIG. 6

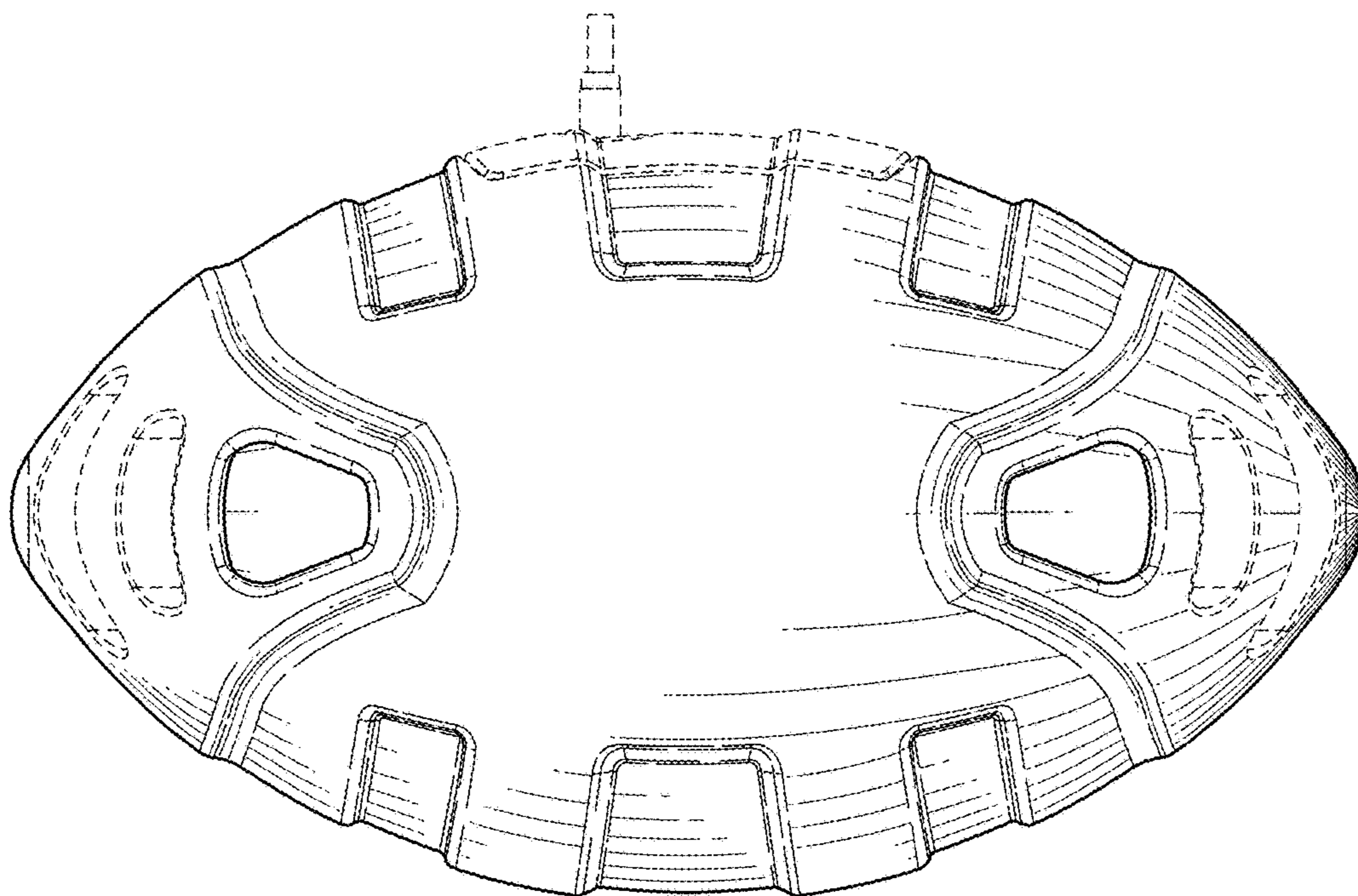


FIG. 7