

US00D793498S

(12) **United States Design Patent**
Manus

(10) **Patent No.:** **US D793,498 S**

(45) **Date of Patent:** **** Aug. 1, 2017**

- (54) **APPARATUS FOR FUNNEL BALL GAMES**
- (71) Applicant: **Ray G. Manus**, Mooresboro, NC (US)
- (72) Inventor: **Ray G. Manus**, Mooresboro, NC (US)
- (**) Term: **15 Years**
- (21) Appl. No.: **29/577,703**
- (22) Filed: **Sep. 15, 2016**
- (51) **LOC (10) Cl.** **21-02**
- (52) **U.S. Cl.**
USPC **D21/701**; D21/699
- (58) **Field of Classification Search**
USPC D21/300–303, 305, 698, 699, 701–705,
D21/720; 473/432, 433, 436, 447, 472,
473/476, 479–489; 273/317.3, 348, 394,
273/396, 398, 401, 402, 350, 368
CPC A63B 63/00; A63B 63/06; A63B 63/08;
A63B 63/083; A63B 2063/001; A63B
67/002; A63B 67/007; A63B 47/002;
A63B 2208/12; A63F 9/02; A63F 9/0204
See application file for complete search history.

(56) **References Cited**

U.S. PATENT DOCUMENTS

- 3,350,097 A * 10/1967 Chevette A63B 63/08
273/350
- 3,586,323 A * 6/1971 Carter A63B 67/007
273/440
- 3,599,978 A * 8/1971 Sondergaard A63B 69/40
124/82
- 3,920,246 A * 11/1975 Contreras A63B 57/357
273/127 R
- 4,611,812 A * 9/1986 Morrison A63B 63/08
473/485
- 5,522,598 A * 6/1996 Loyd A63B 63/08
273/402

- 5,632,490 A * 5/1997 Brown A63F 7/048
273/138.3
- D391,332 S * 2/1998 Williams D21/720
- 6,142,890 A * 11/2000 Craig A63B 67/002
273/394
- 6,315,672 B1 * 11/2001 Gillot A63G 31/00
434/247
- 2009/0005196 A1 * 1/2009 Kessler A63B 63/00
473/476
- 2014/0224816 A1 * 8/2014 Topolosky A63B 67/06
220/737
- 2016/0158637 A1 * 6/2016 Saddler A63F 3/0423
273/272

* cited by examiner

Primary Examiner — Catherine Tuttle

(74) *Attorney, Agent, or Firm* — Christopher C. Dremann,
P.C.; Christopher C. Dremann

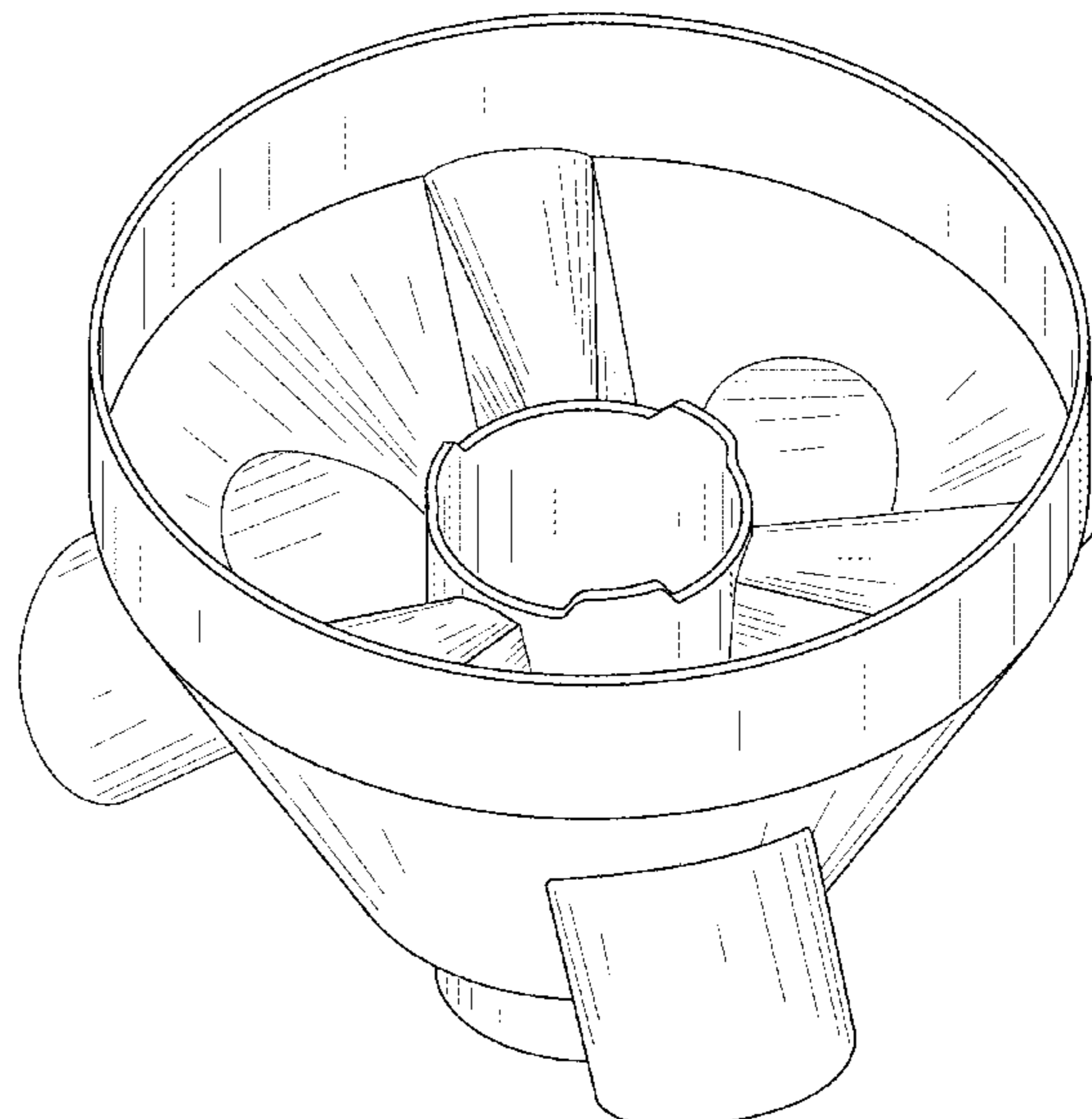
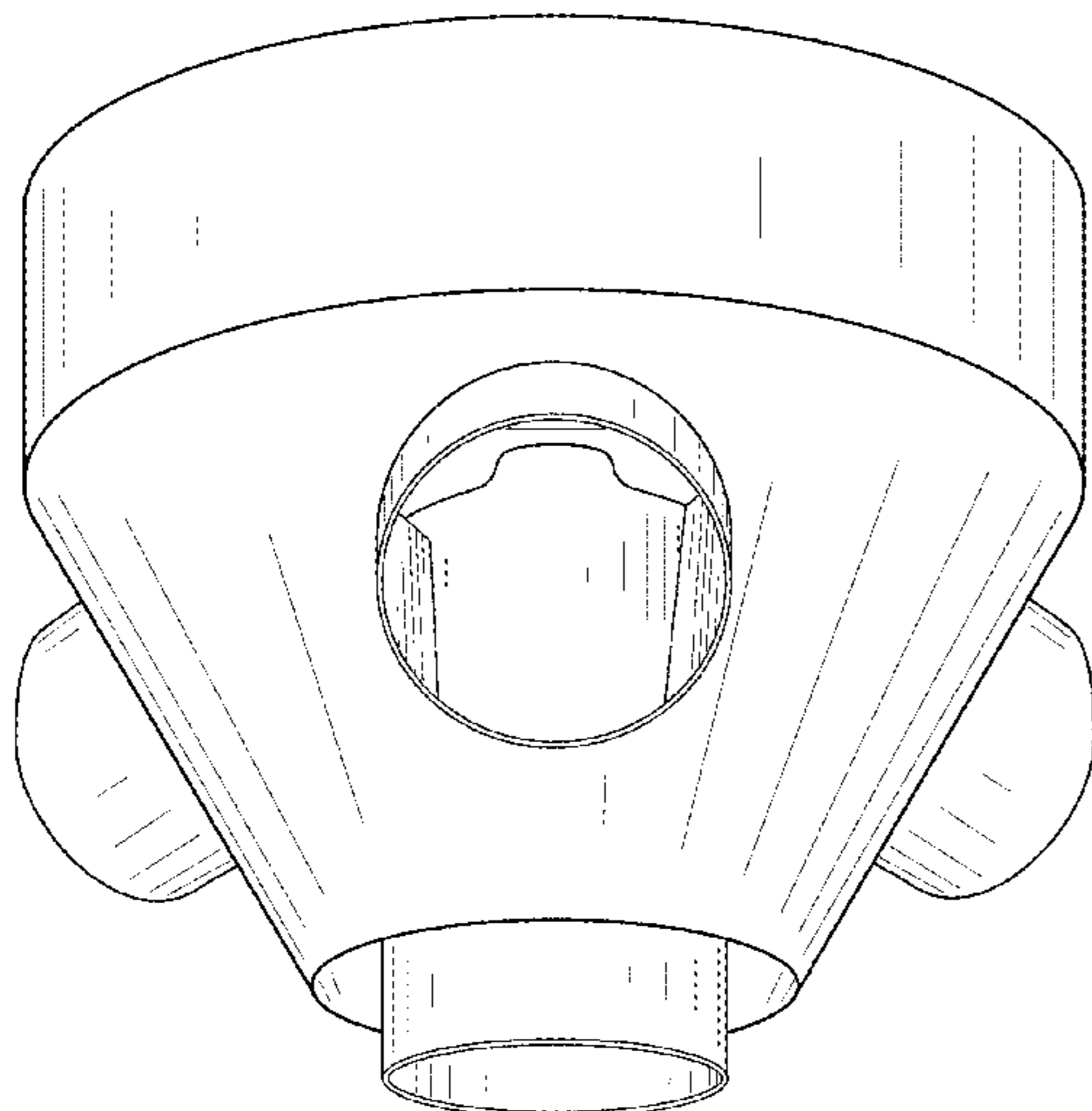
(57) **CLAIM**

The ornamental design for an apparatus for funnel ball games, as shown and described.

DESCRIPTION

FIG. 1 is a front perspective view of an apparatus for funnel ball games showing my design;
 FIG. 2 is a rear perspective view thereof;
 FIG. 3 is a front view thereof;
 FIG. 4 is a rear view thereof;
 FIG. 5 is a left side view thereof, the right side view being a mirror image of the right side view;
 FIG. 6 is a bottom view thereof;
 FIG. 7 is a top view thereof;
 FIG. 8 is a top perspective view thereof;
 FIG. 9 is a sectional view taken along the line 9-9 indicated in FIG. 7; and,
 FIG. 10 is a sectional view taken along the line 10-10 indicated in FIG. 7.

1 Claim, 10 Drawing Sheets



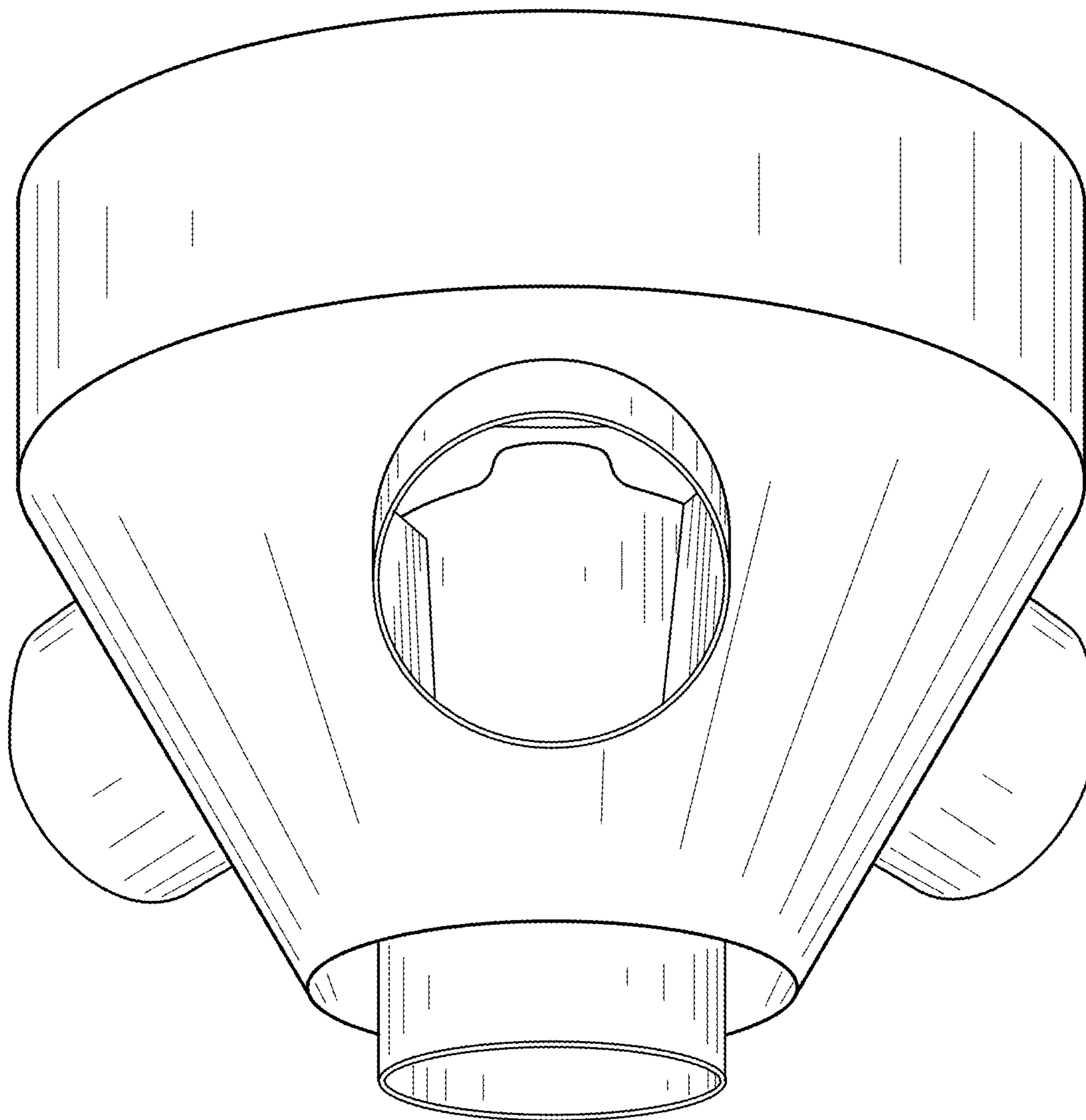


FIG. 1

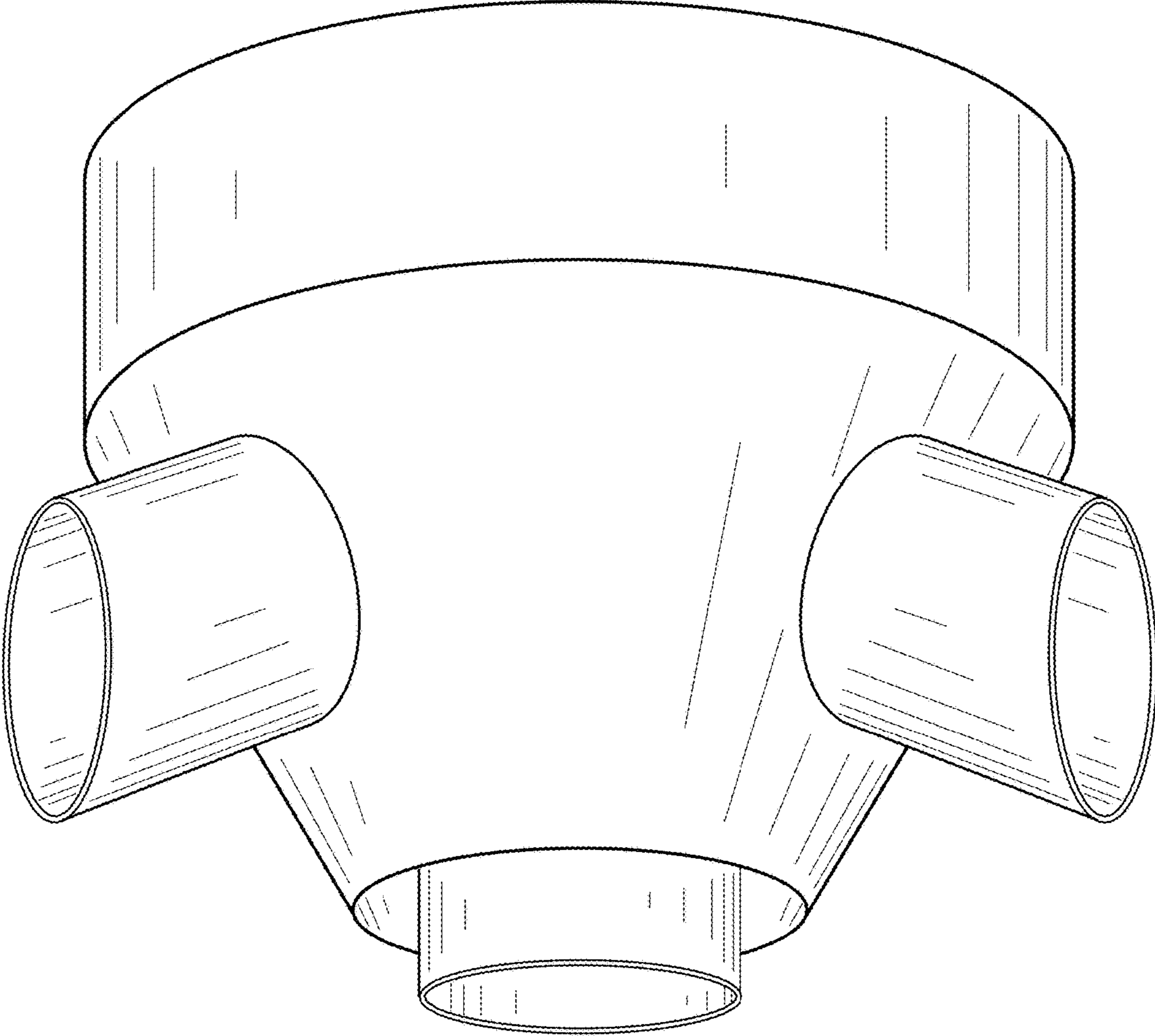


FIG. 2

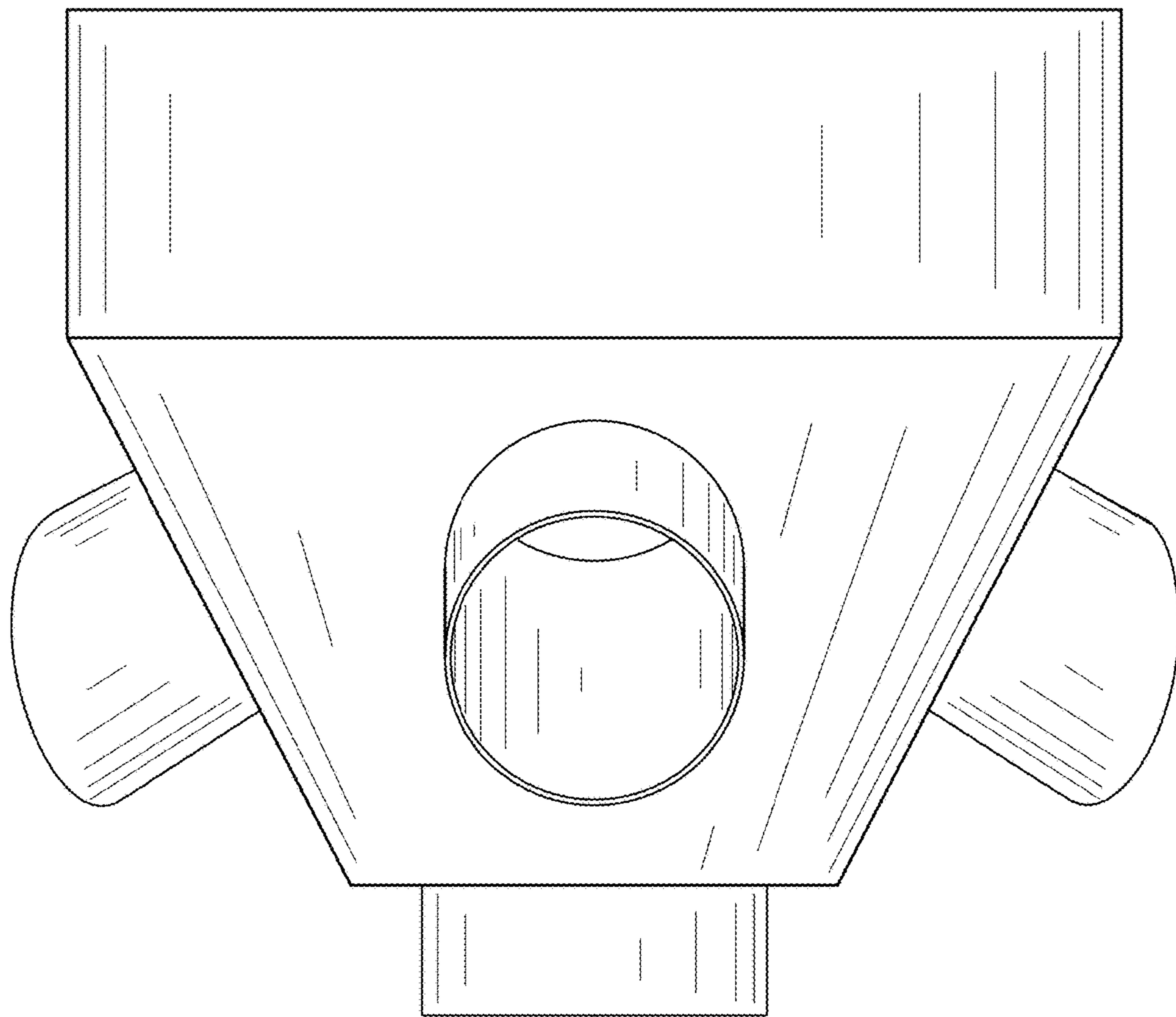


FIG. 3

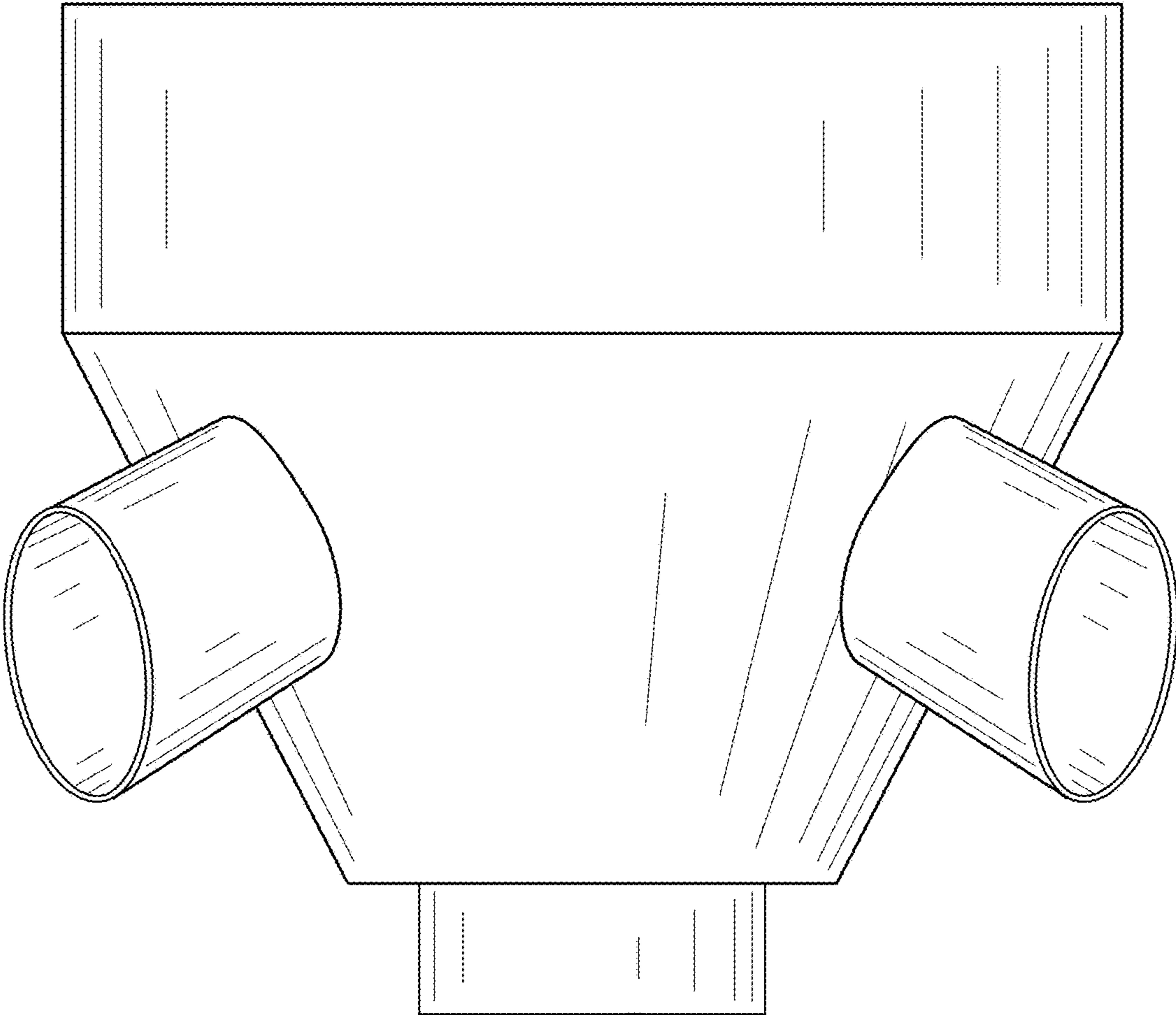


FIG. 4

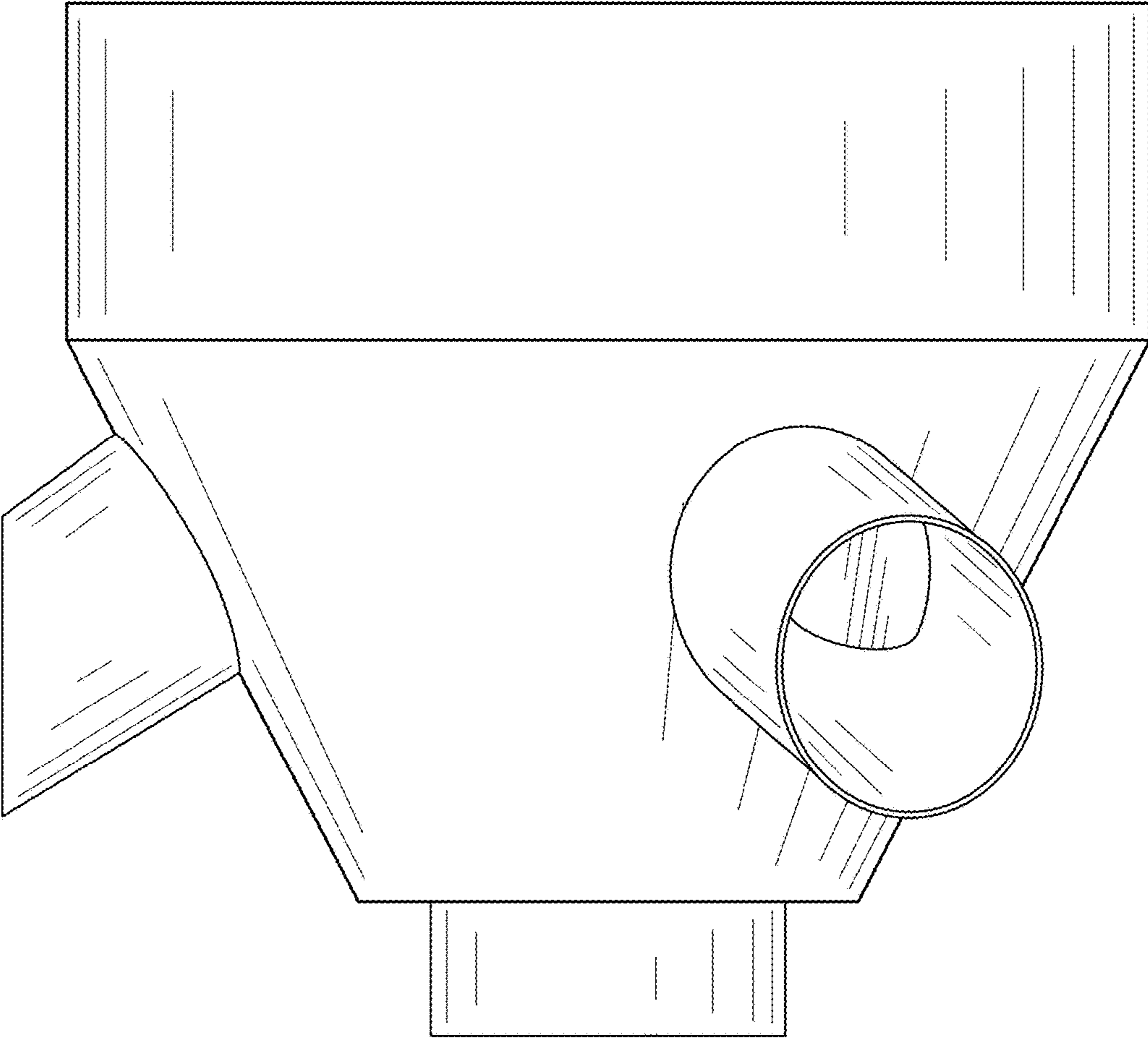


FIG. 5

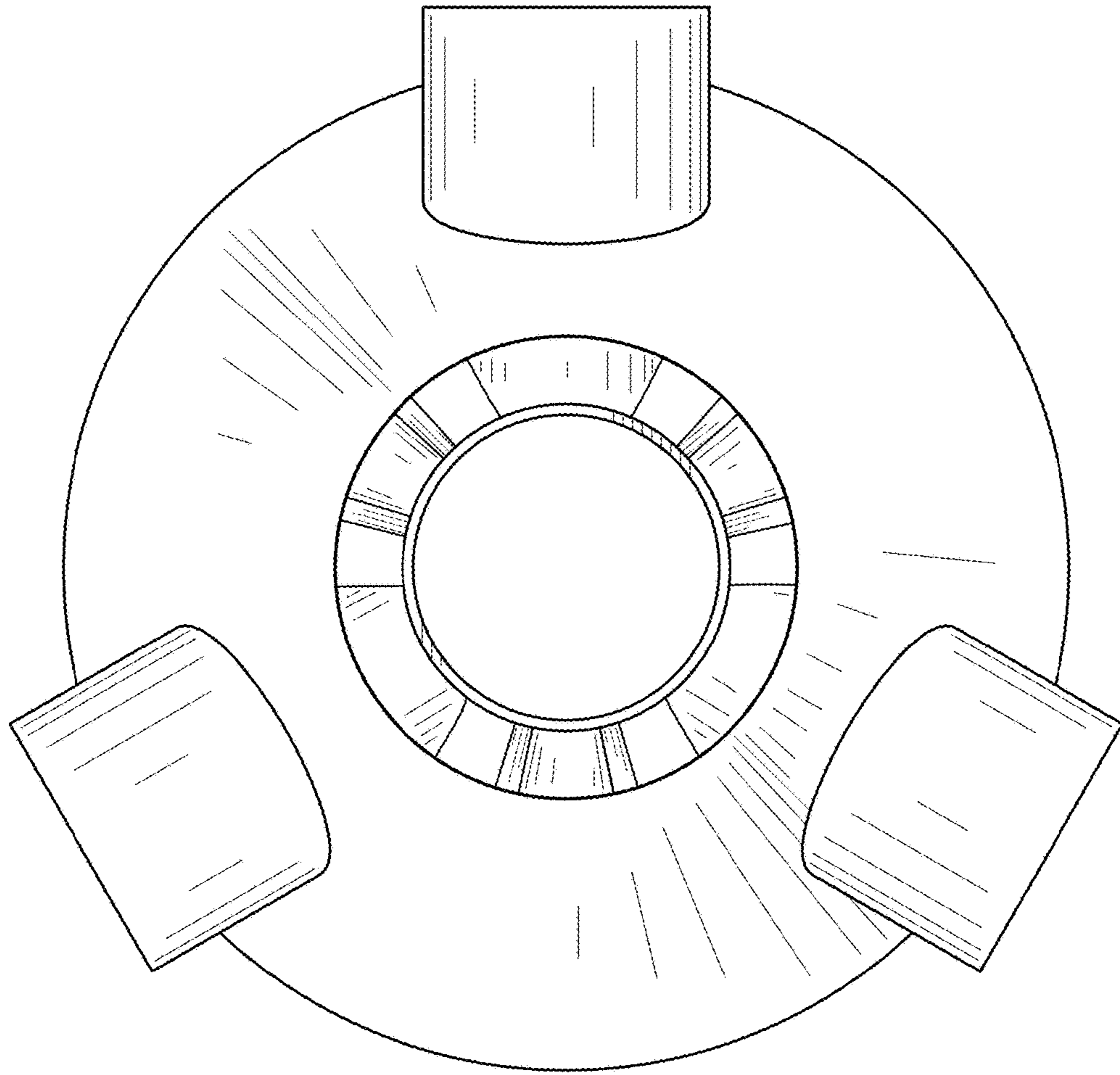


FIG. 6

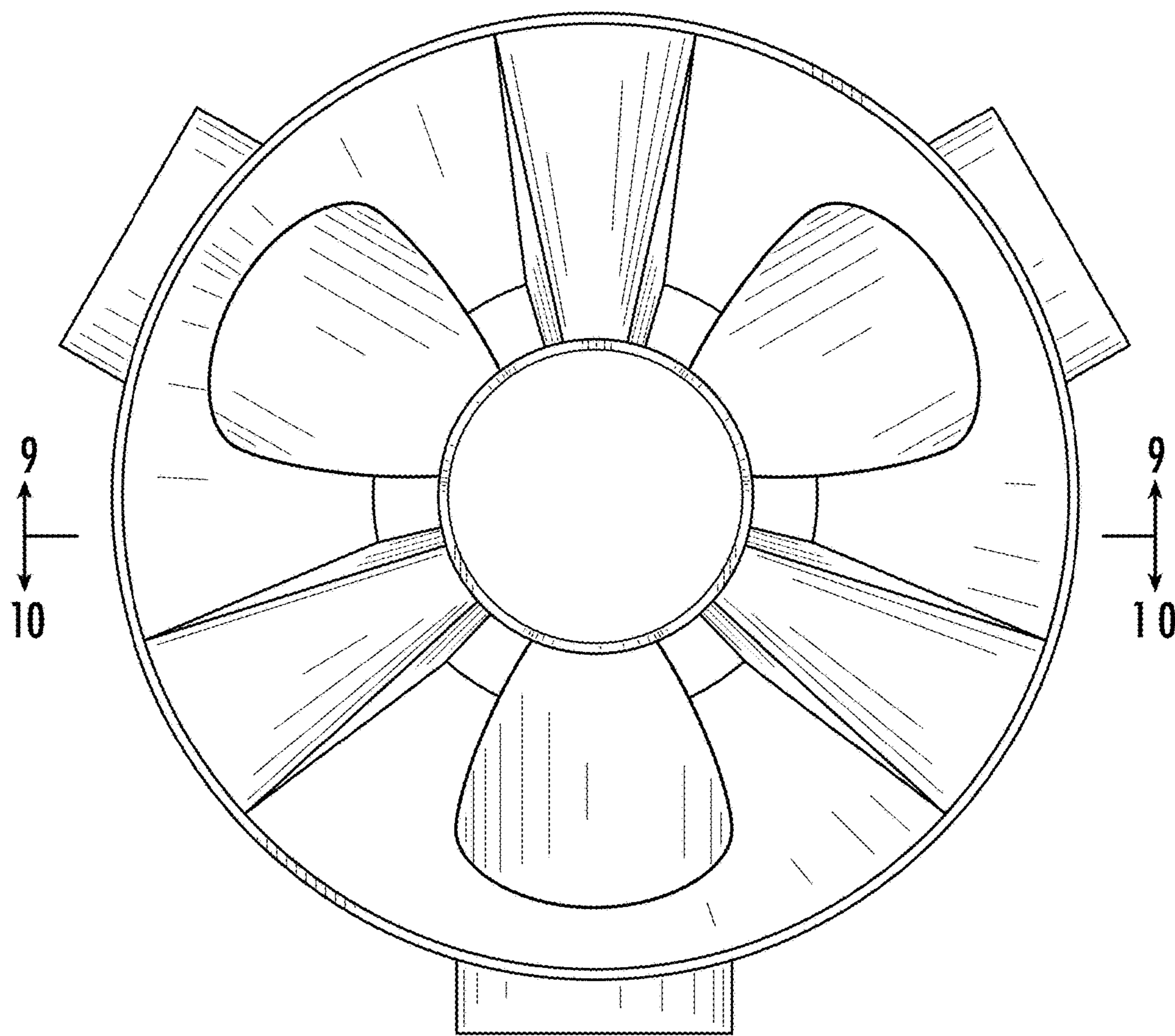


FIG. 7

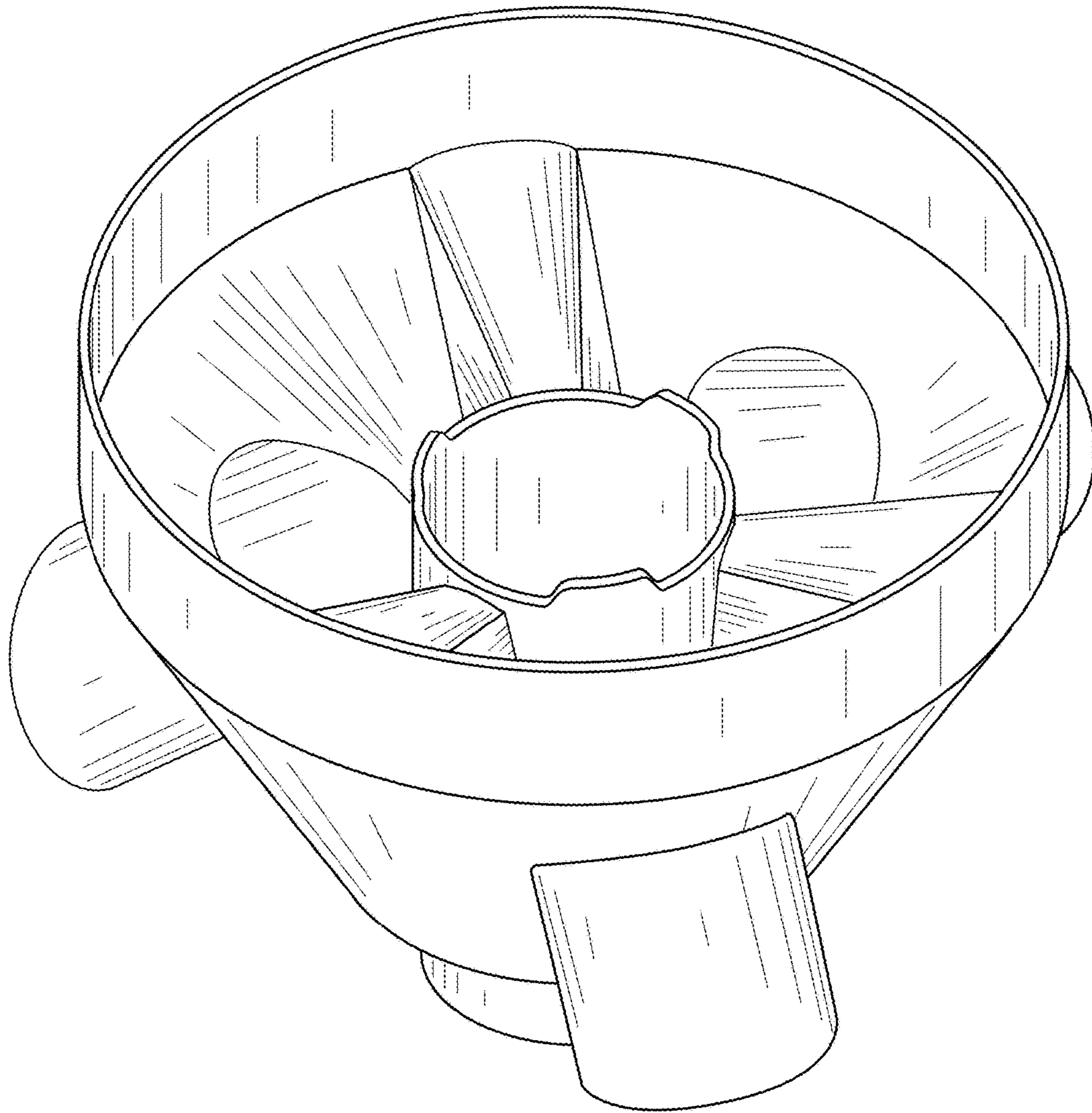


FIG. 8

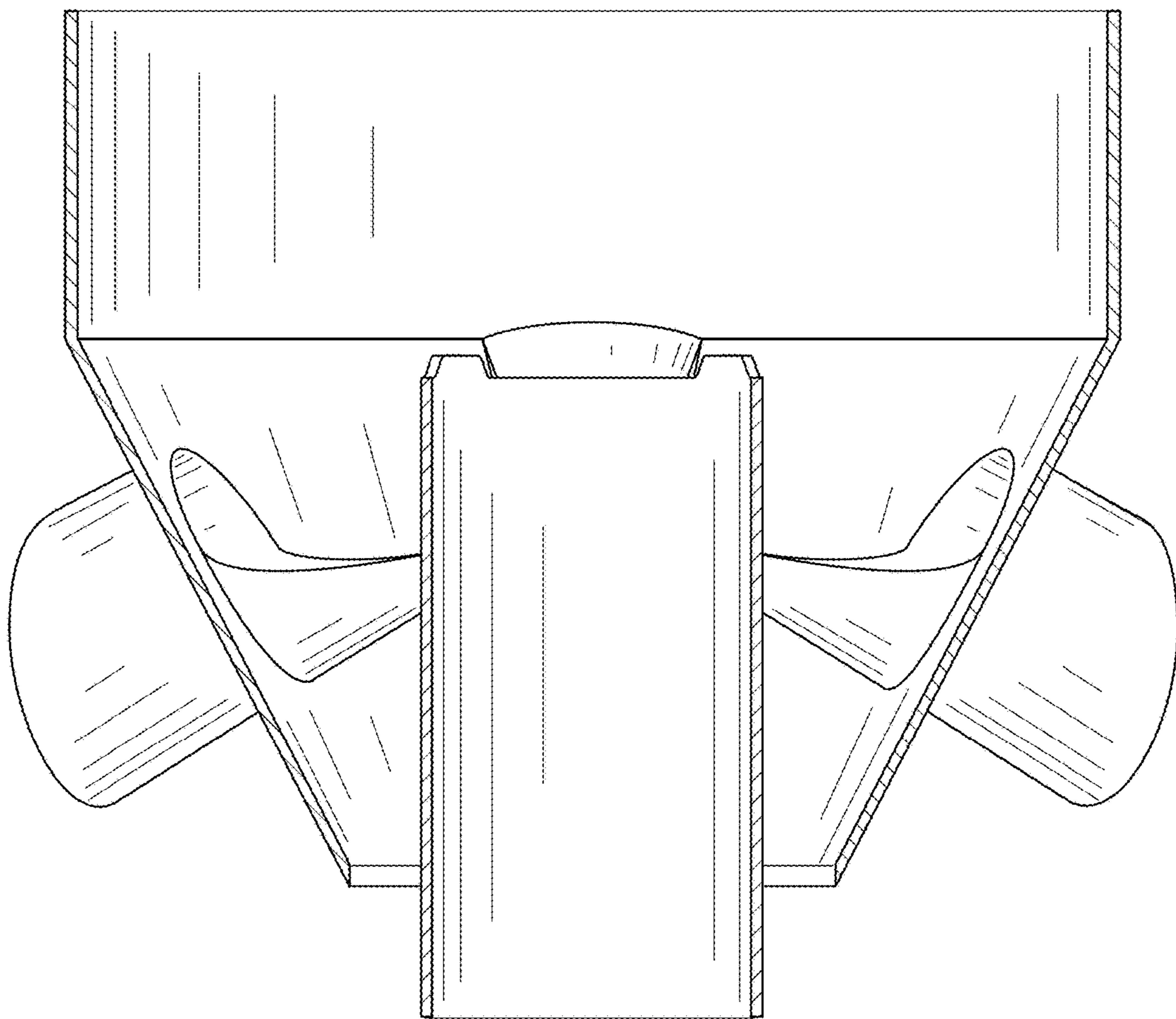


FIG. 9

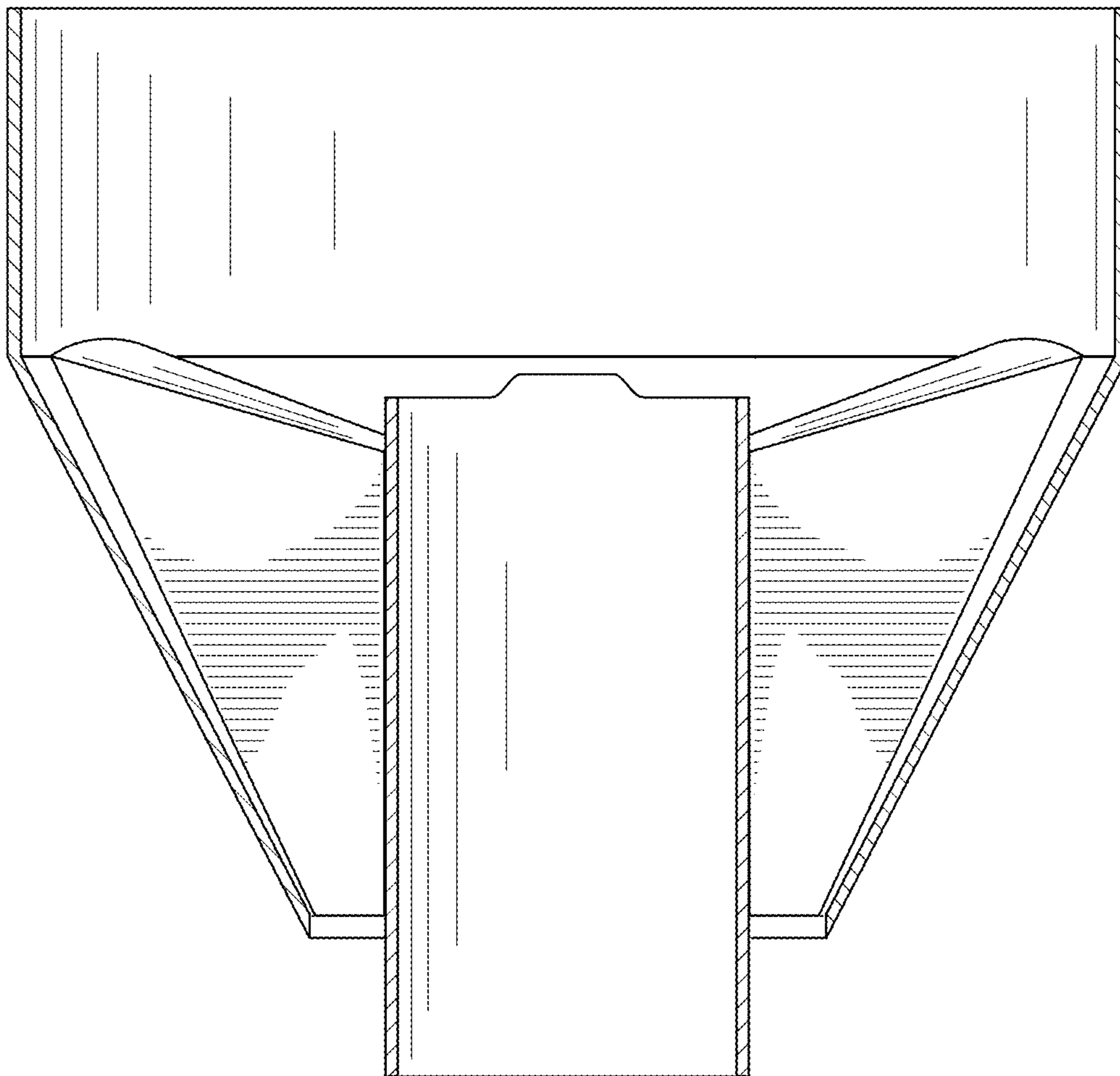


FIG. 10