



US00D793497S

(12) **United States Design Patent** (10) **Patent No.:** **US D793,497 S**
Ho et al. (45) **Date of Patent:** **** Aug. 1, 2017**

(54) **WHEELED TORSO EXERCISER**
(71) Applicants: **Wei-Teh Ho**, Taipei (TW); **Willy Ho**, Taipei (TW)
(72) Inventors: **Wei-Teh Ho**, Taipei (TW); **Willy Ho**, Taipei (TW)
(**) Term: **15 Years**
(21) Appl. No.: **29/530,739**
(22) Filed: **Jun. 18, 2015**
(51) **LOC (10) Cl.** **21-02**
(52) **U.S. Cl.**
USPC **D21/687**
(58) **Field of Classification Search**
USPC 482/54, 140, 142, 123, 121, 122, 129, 482/130, 96, 52, 57, 907, 126, 131, 145, 482/144, 112, 134, 26, 27, 77, 125, 132, 482/92, 95, 91, 128, 68, 141, 53, 133, 482/138; D21/687, 686, 669, 673, 690, D21/691, 694, 676, 674, 670, 663, 662, D21/423, 695, 688; D24/183, 188; 297/175, 445.1, 423.38, 230.1; 601/24, 601/49; 606/240, 244, 242; 5/613, 618, 5/624; 473/197, 422; 280/47.371, 79.6; D14/447
CPC . A63B 22/02; A63B 22/0023; A63B 22/0235; A63B 2210/50; A63B 21/4029; A63B 22/0285; A63B 22/0242; A63B 2225/30; A63B 21/078; A61H 2203/0493; A61H 1/0292; A61H 2201/1284; A61H 1/0222
See application file for complete search history.

5,222,927 A * 6/1993 Chang A63B 22/0005 482/126
D355,228 S * 2/1995 Hung D21/670
6,814,690 B1 * 11/2004 Stearns A63B 21/0552 482/122
D522,076 S * 5/2006 Casey D21/423
7,306,547 B2 * 12/2007 Stearns A63B 21/00072 482/91
7,357,763 B2 4/2008 Ho
7,819,788 B1 * 10/2010 Ho A63B 21/023 482/122
D637,664 S * 5/2011 Battison A63B 21/012 D21/663
D699,306 S * 2/2014 Ho D21/662
D705,367 S * 5/2014 Ho D21/687
D729,887 S * 5/2015 Zeng D21/686
2006/0014614 A1 * 1/2006 Szabo A63B 21/00072 482/140
2006/0194681 A1 * 8/2006 Ho A63B 21/055 482/132
2006/0270535 A1 * 11/2006 Casey A63B 21/0552 482/140

* cited by examiner

Primary Examiner — Robert M Spear
Assistant Examiner — Ryan Harvey
(74) *Attorney, Agent, or Firm* — Blakely, Sokoloff, Taylor & Zafman LLP

(57) **CLAIM**

The ornamental design for an wheeled torso exerciser, as shown and described.

DESCRIPTION

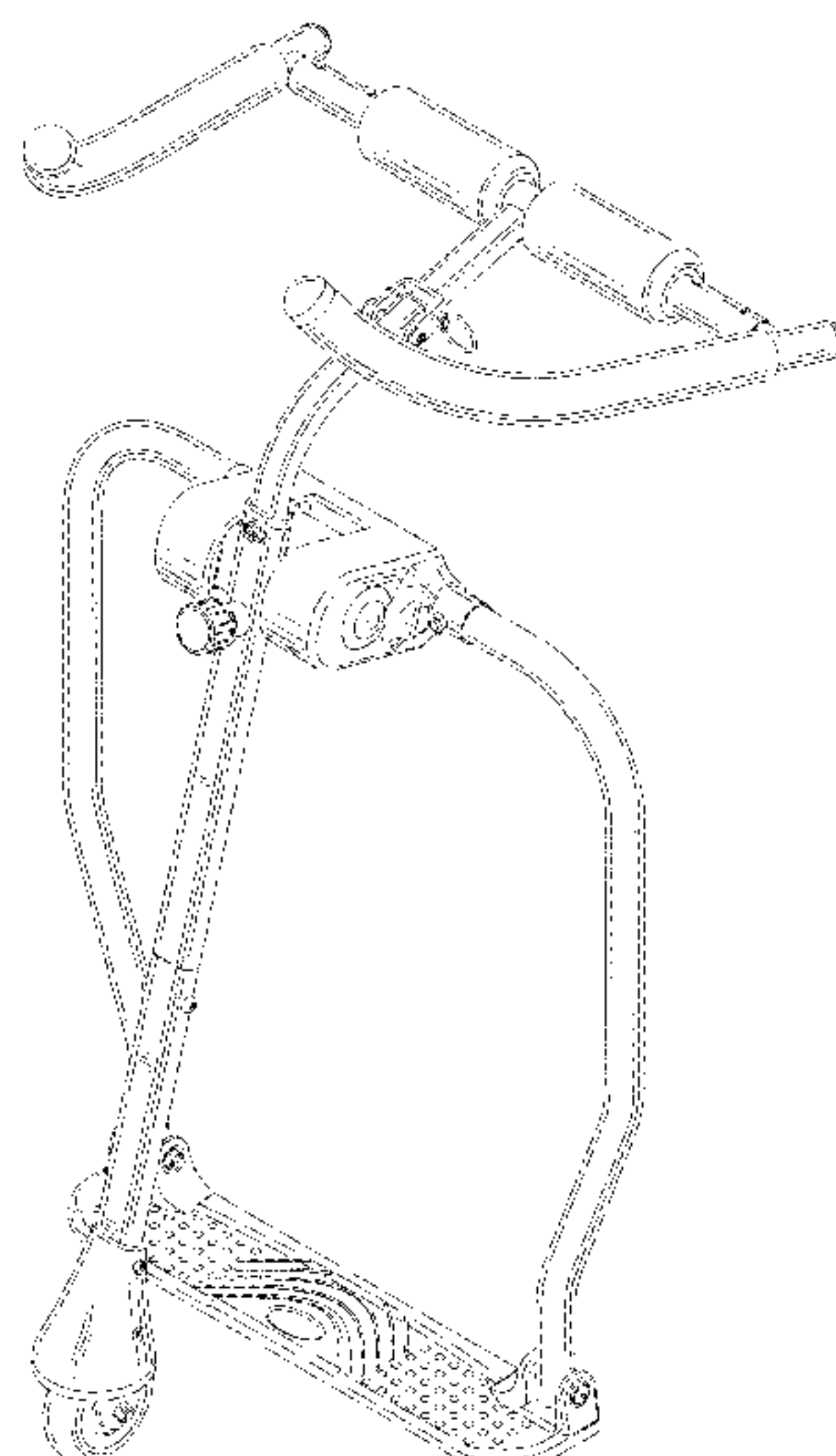
FIG. 1 is a perspective view showing the new design for an wheeled torso exerciser;
FIG. 2 is a front view thereof;
FIG. 3 is a rear view thereof;
FIG. 4 is a right view thereof;
FIG. 5 is a left view thereof;
FIG. 6 is a top view thereof; and,
FIG. 7 is a bottom view thereof.

1 Claim, 7 Drawing Sheets

(56) **References Cited**

U.S. PATENT DOCUMENTS

D263,490 S * 3/1982 Hickman D21/670
D315,937 S * 4/1991 Huggins D21/670
D326,695 S * 6/1992 Evans D21/670
D329,478 S * 9/1992 Wang D21/670



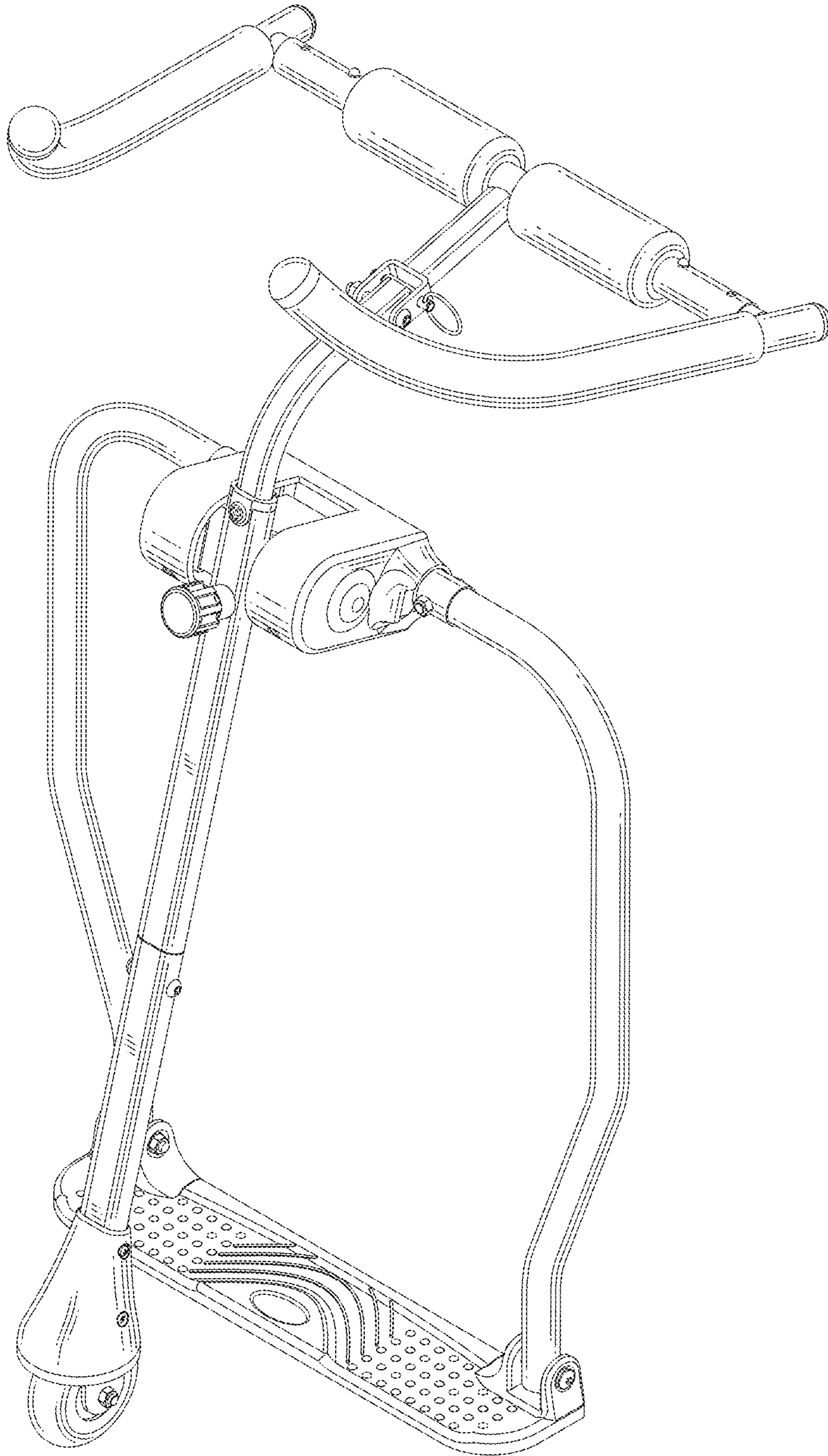


FIG. 1

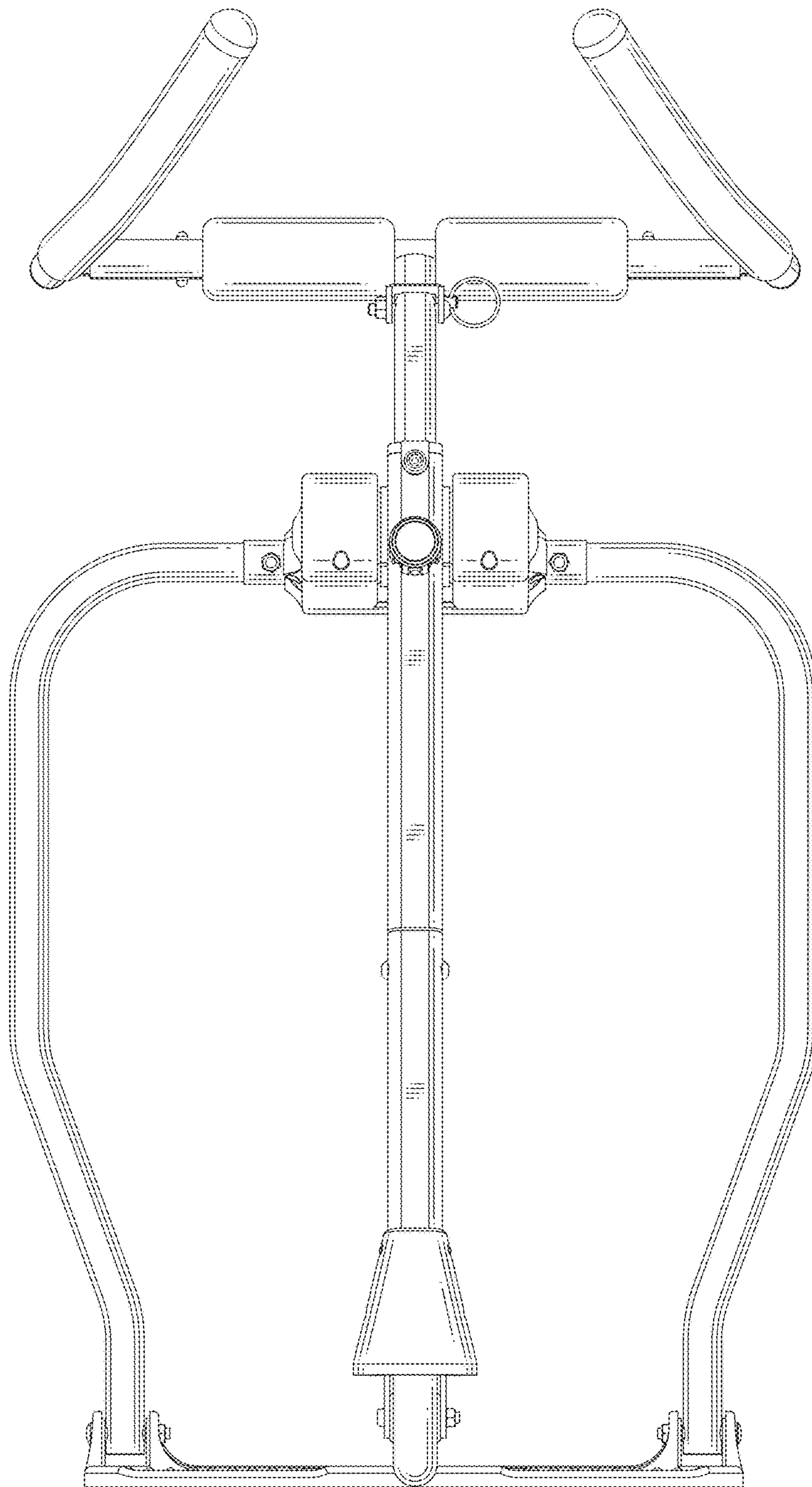


FIG. 2

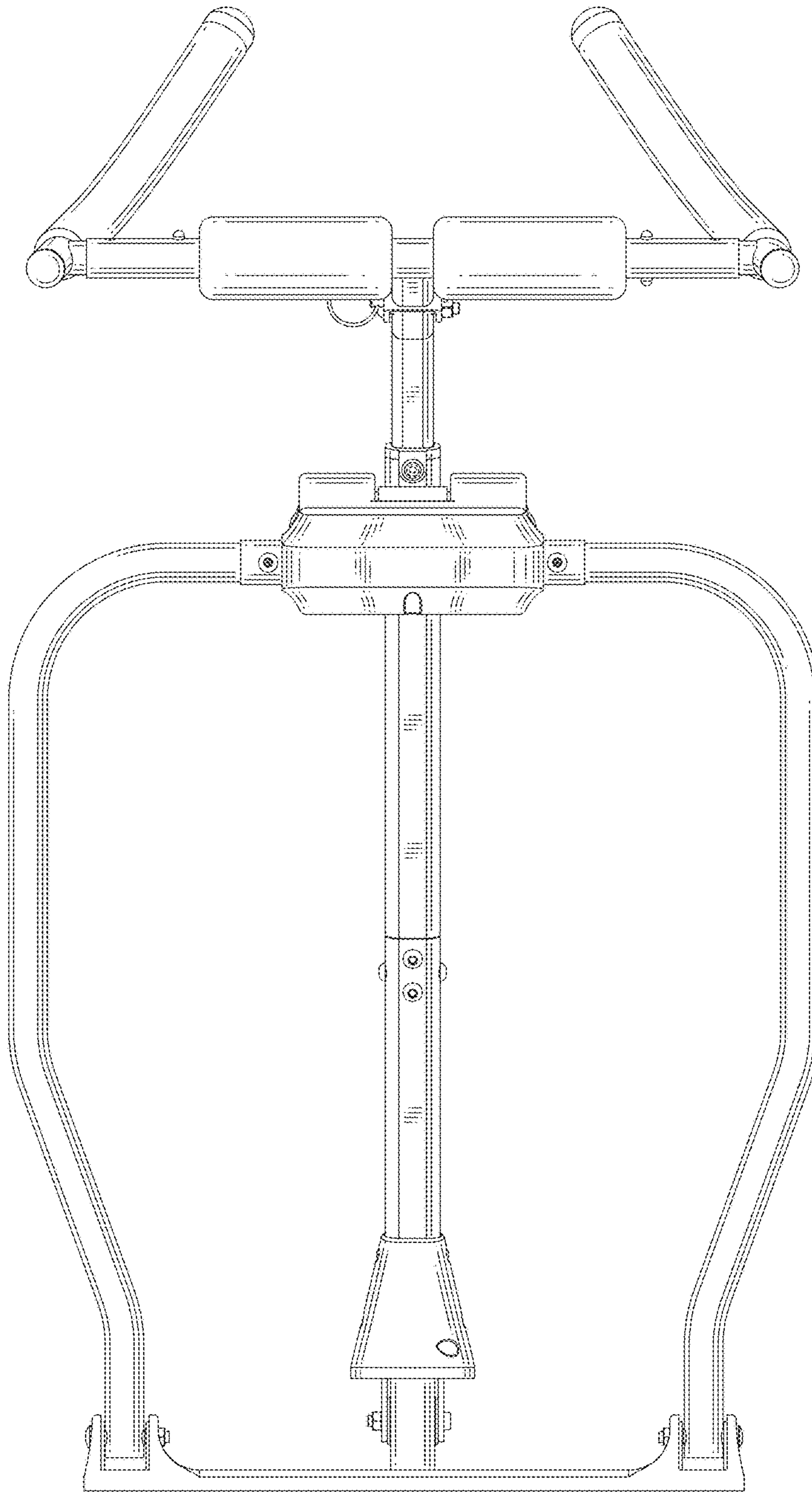


FIG. 3

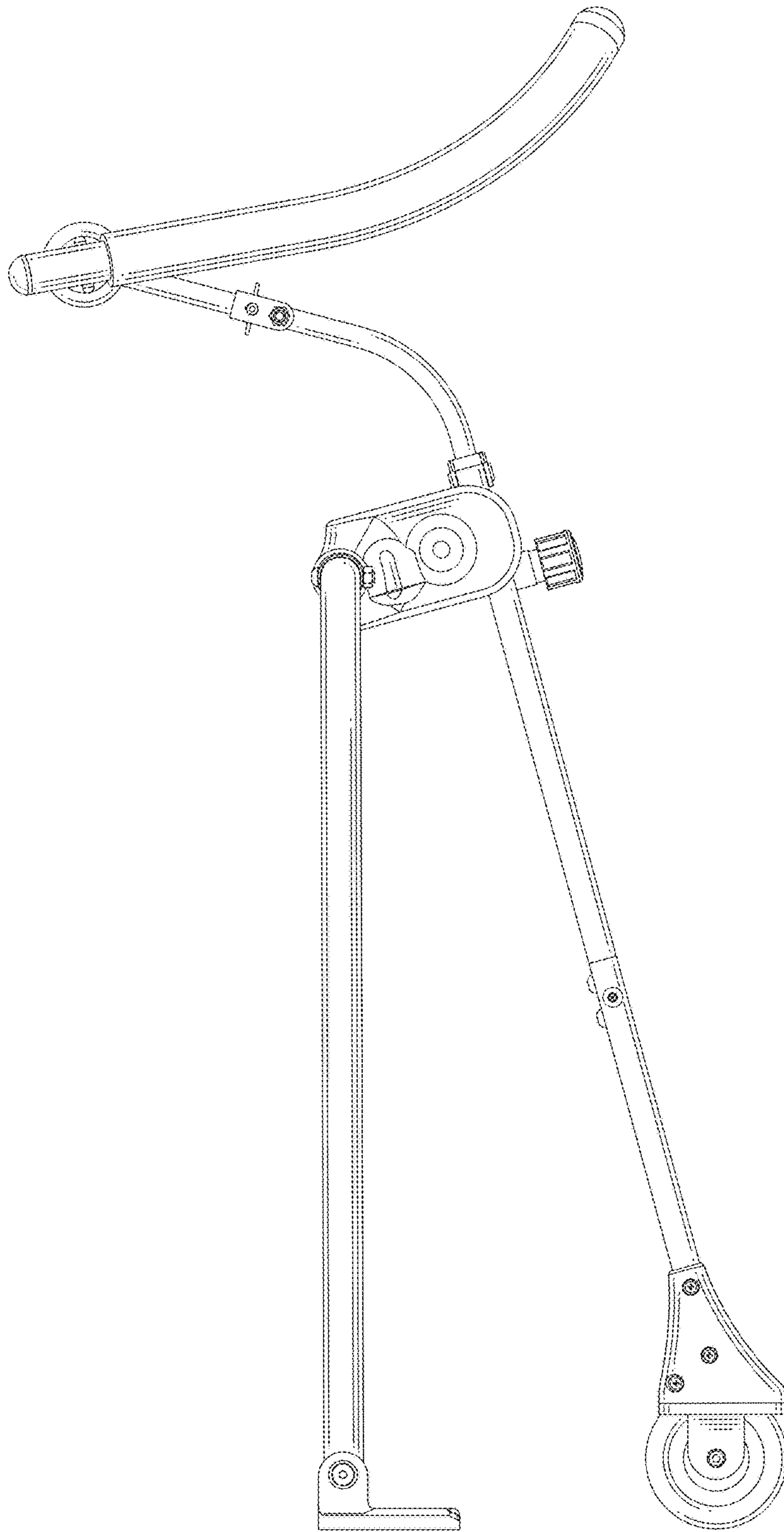


FIG . 4

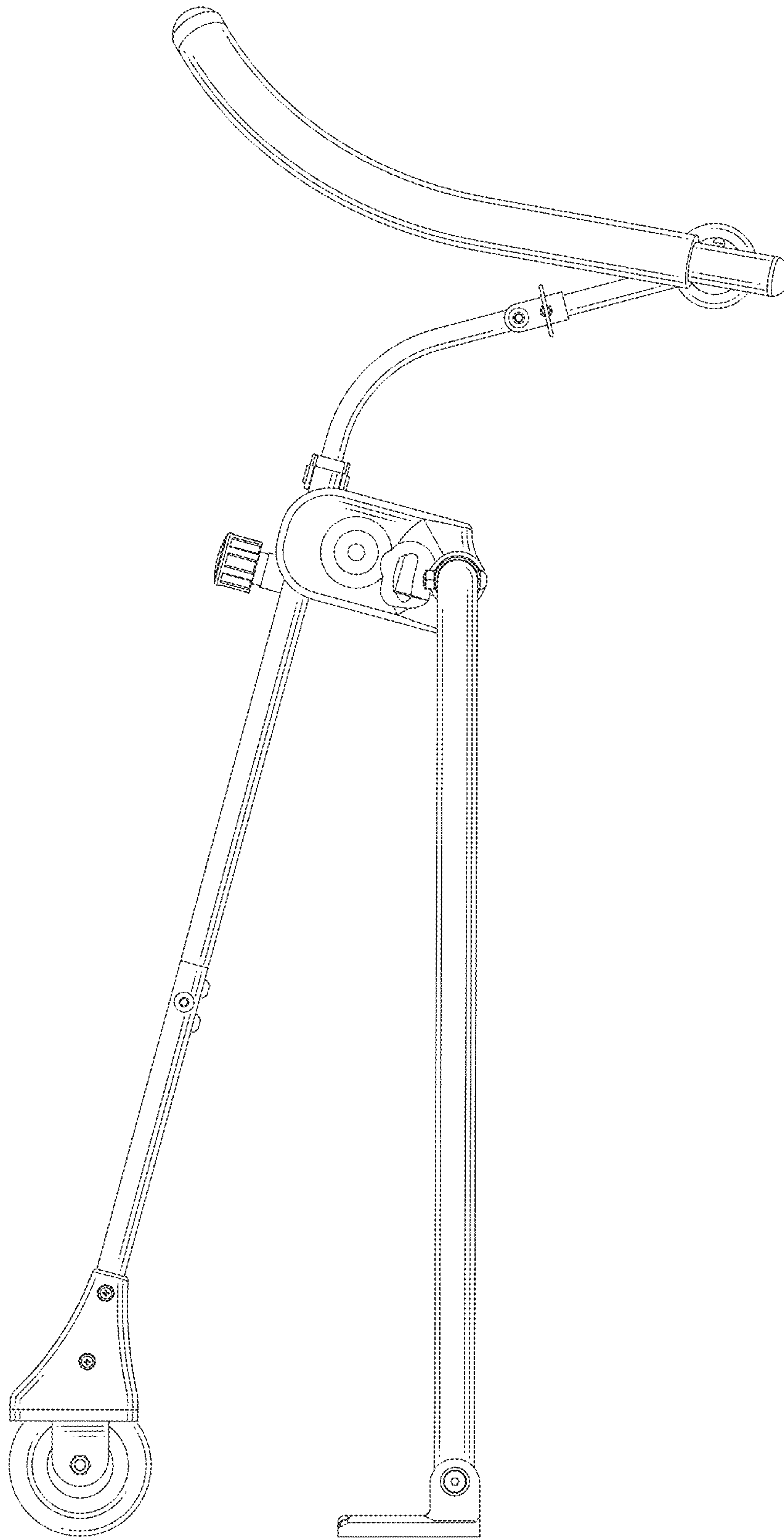


FIG. 5

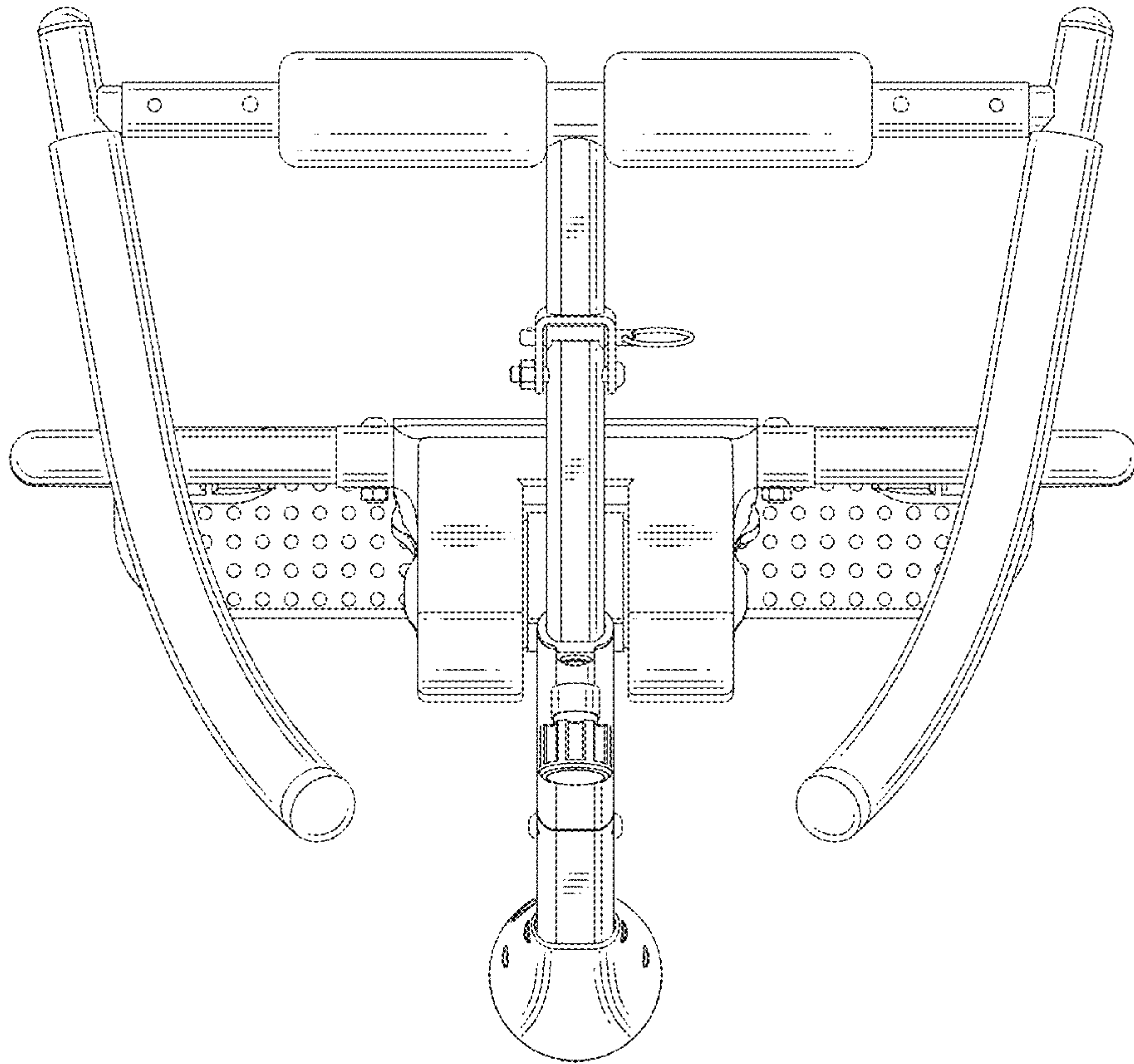


FIG. 6

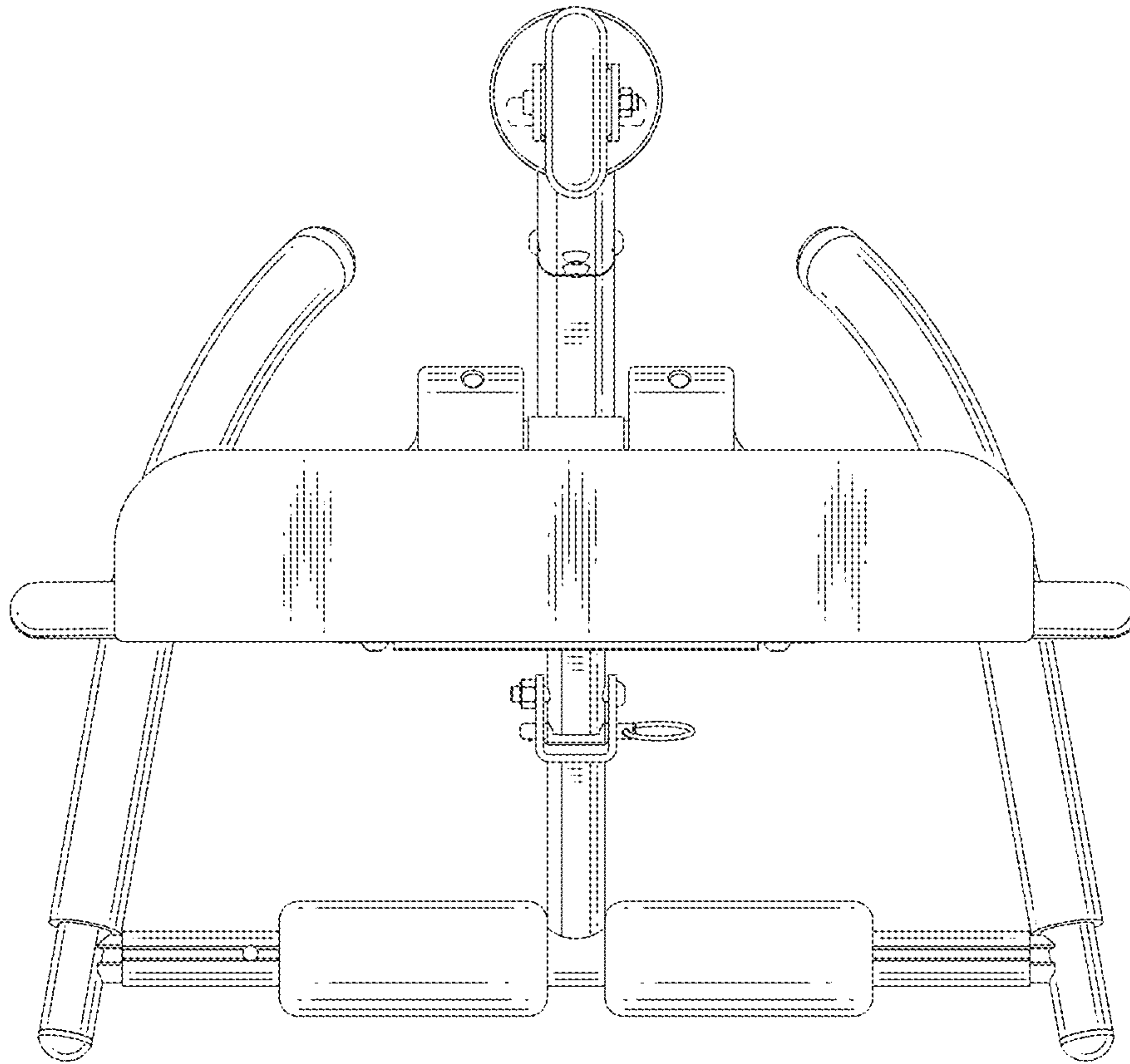


FIG. 7