



US00D793489S

(12) **United States Design Patent** (10) **Patent No.:** **US D793,489 S**  
**Ha et al.** (45) **Date of Patent:** **\*\* Aug. 1, 2017**

(54) **ROBOT TOY**

(71) Applicant: **CJ E&M Corporation**, Seoul (KR)  
(72) Inventors: **Se Jung Ha**, Seoul (KR); **Bu Kyung Kim**, Seoul (KR); **Yoon Sun Shim**, Gyeonggi-do (KR); **Ye Rim Woo**, Seoul (KR)  
(73) Assignee: **CJ E&M CORPORATION**, Seoul (KR)  
(\*\*) Term: **15 Years**

(21) Appl. No.: **29/535,439**  
(22) Filed: **Aug. 6, 2015**

(30) **Foreign Application Priority Data**

Jul. 9, 2015 (KR) ..... 30-2015-0034743  
(51) **LOC (10) Cl.** ..... **21-01**  
(52) **U.S. Cl.**  
USPC ..... **D21/578; D21/580**  
(58) **Field of Classification Search**  
USPC ..... D21/658-659, 630, 578-581  
CPC ..... A63H 33/003; Y10S 901/01  
See application file for complete search history.

(56) **References Cited**

**U.S. PATENT DOCUMENTS**

4,516,948 A \* 5/1985 Obara ..... A63H 33/003  
446/376  
D297,039 S \* 8/1988 Matsumoto ..... D21/578  
D622,786 S \* 8/2010 Lee ..... D21/578  
D647,149 S \* 10/2011 Wong ..... D15/199  
D680,177 S \* 4/2013 Wong ..... D15/199  
2007/0220637 A1 \* 9/2007 Endo ..... B25J 9/161  
318/568.17  
2007/0260355 A1 \* 11/2007 Morimoto ..... G06N 3/008  
700/245  
2009/0209167 A1 \* 8/2009 Ejima ..... A63H 17/02  
446/93

**OTHER PUBLICATIONS**

Gmarket—Robot Train, first available Jan. 2015, item2.gmarket.co.kr, Copyright © eBay Korea Co., Ltd., site visited Oct. 18, 2016, Available from Internet, <http://item2.gmarket.co.kr/Item/DetailView/Item.aspx?goodscode=658116551>.\*  
8pcs/set Super Wings Mini Planes Toys Deformation Airplane Robot Action Figures Boys&Girls Birthday Gift Brinquedos, posted date unknown, amazon.com, Copyright © 1996-2016, site visited Oct. 18, 2016, Available from Internet, <http://item2.gmarket.co.kr/Item/DetailView/Item.aspx?goodscode=658116551>.\*

(Continued)

*Primary Examiner* — Cathron Brooks  
*Assistant Examiner* — Sharon S Oum  
(74) *Attorney, Agent, or Firm* — Jeremy Jay

(57) **CLAIM**

The ornamental design for a robot toy, as shown and described.

**DESCRIPTION**

The patent or application file contains at least one drawing executed in color. Copies of this patent or patent application publication with color drawing(s) will be provided by the Office upon request and payment of the necessary fee.  
FIG. 1 is a perspective view of a robot toy of the present invention.  
FIG. 2 is a front elevational view thereof;  
FIG. 3 is a rear elevational view thereof;  
FIG. 4 is a left side view thereof;  
FIG. 5 is a right side view thereof;  
FIG. 6 is a top plan view thereof; and,  
FIG. 7 is a bottom plan view thereof.

**1 Claim, 7 Drawing Sheets**  
**(7 of 7 Drawing Sheet(s) Filed in Color)**



(56)

**References Cited**

OTHER PUBLICATIONS

Favorite Cars Song Disney Pixar Cars Collection Song  
DisneyCarToys Original Pixar Cars 2 McQueen, posted date Nov.  
2, 2013, youtube.com, site visited Oct. 21, 2016, Available from  
Internet, <<https://www.youtube.com/watch?v=jnllQBUOS60>>.\*  
Korean Intellectual Property Office, Korean Office Action in Korean  
Application No. 30-2015-0034743, mailed Dec. 1, 2015.  
Reference Design, <http://www.etnews.com/20150105000030>,  
released Jan. 5, 2015.

\* cited by examiner

FIG. 1



FIG. 2

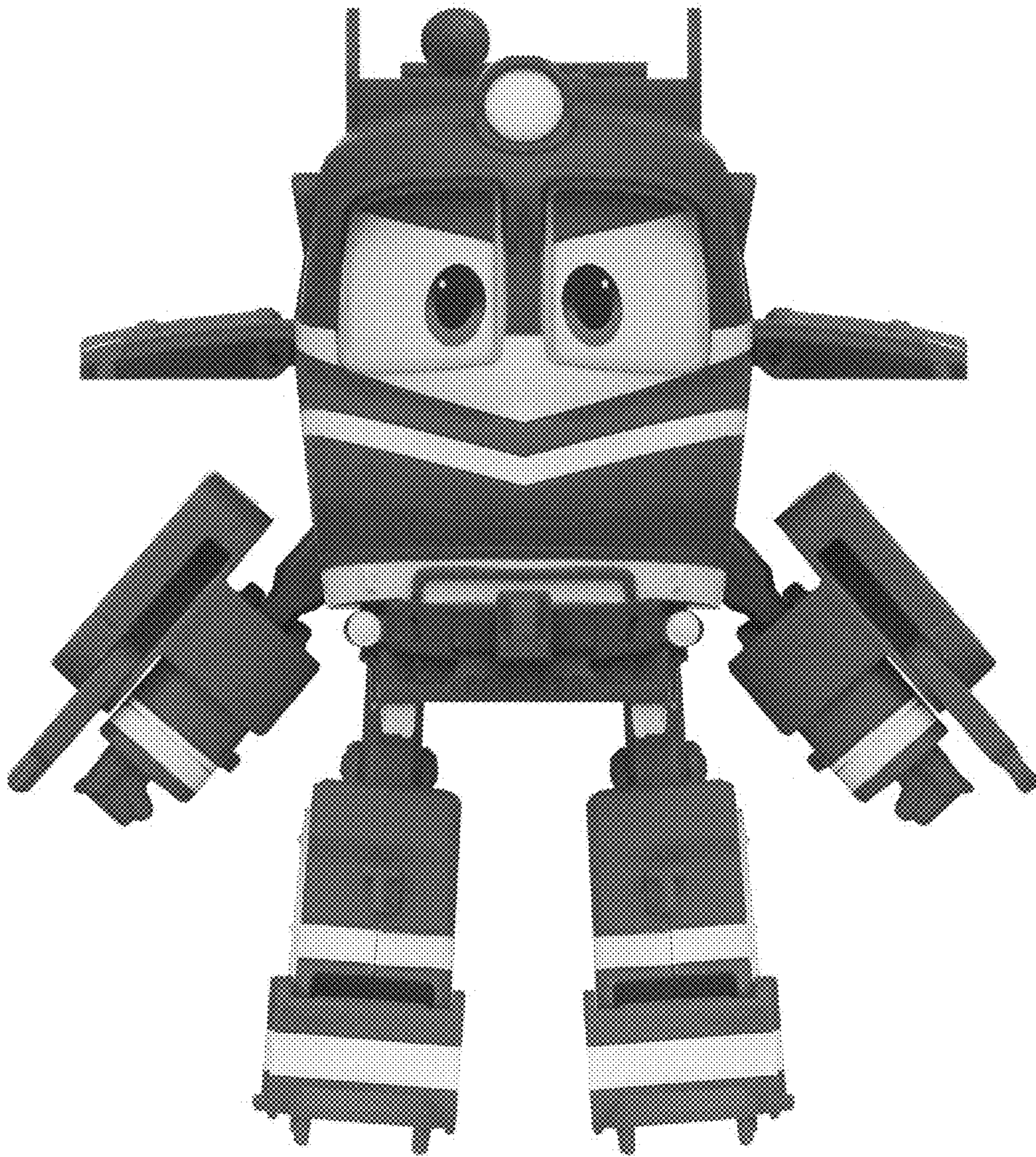


FIG. 3



FIG. 4

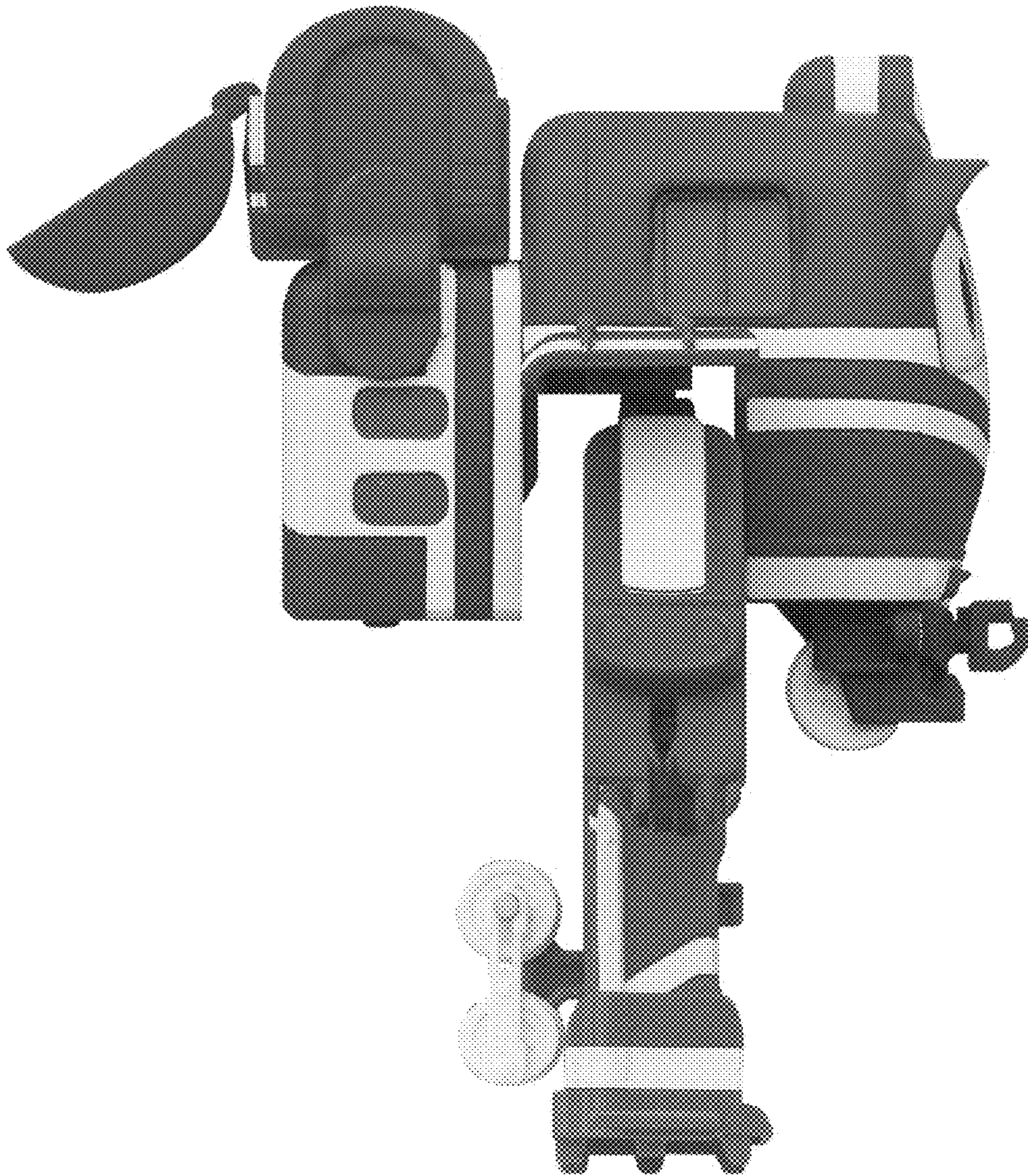


FIG. 5

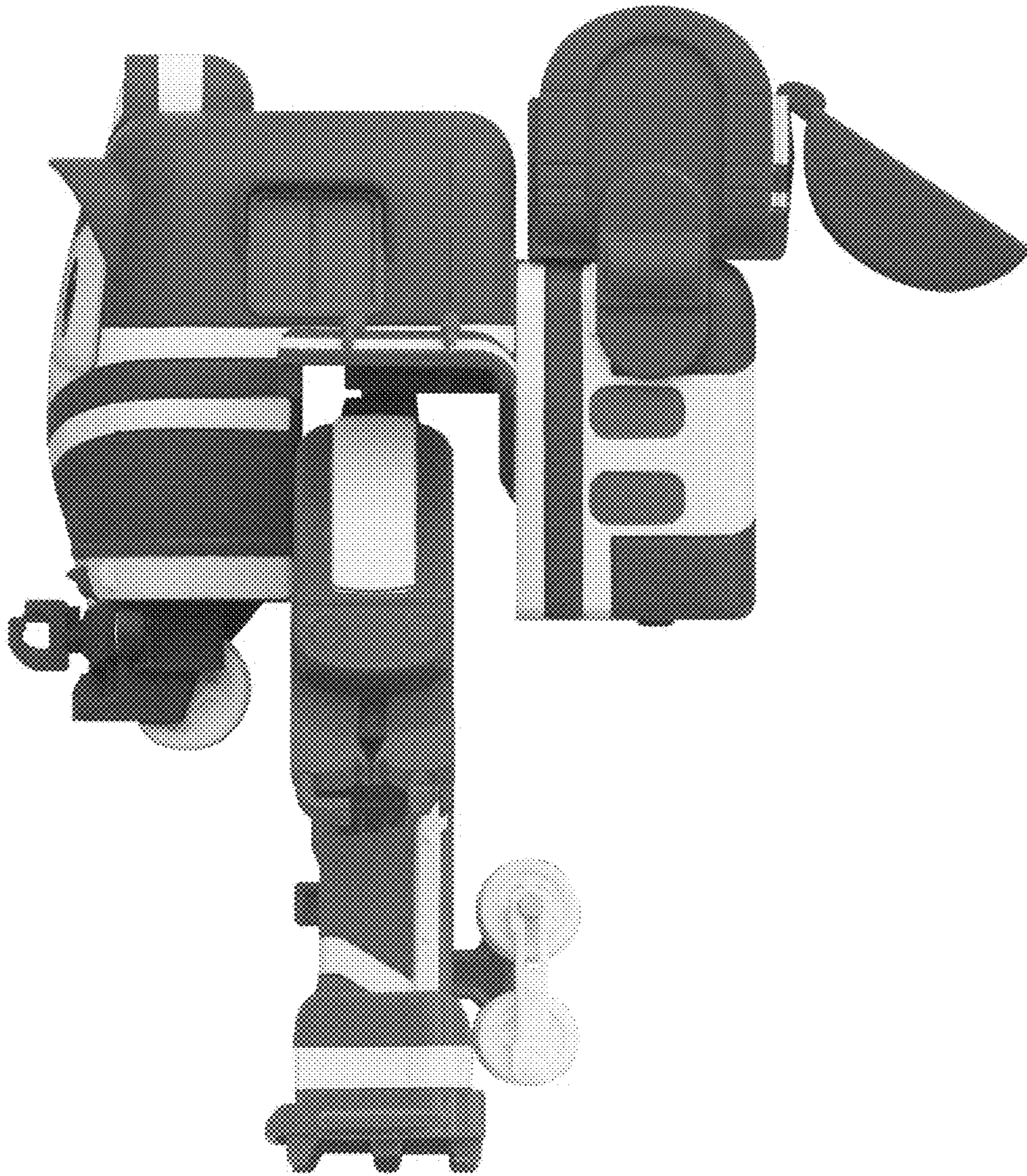


FIG. 6

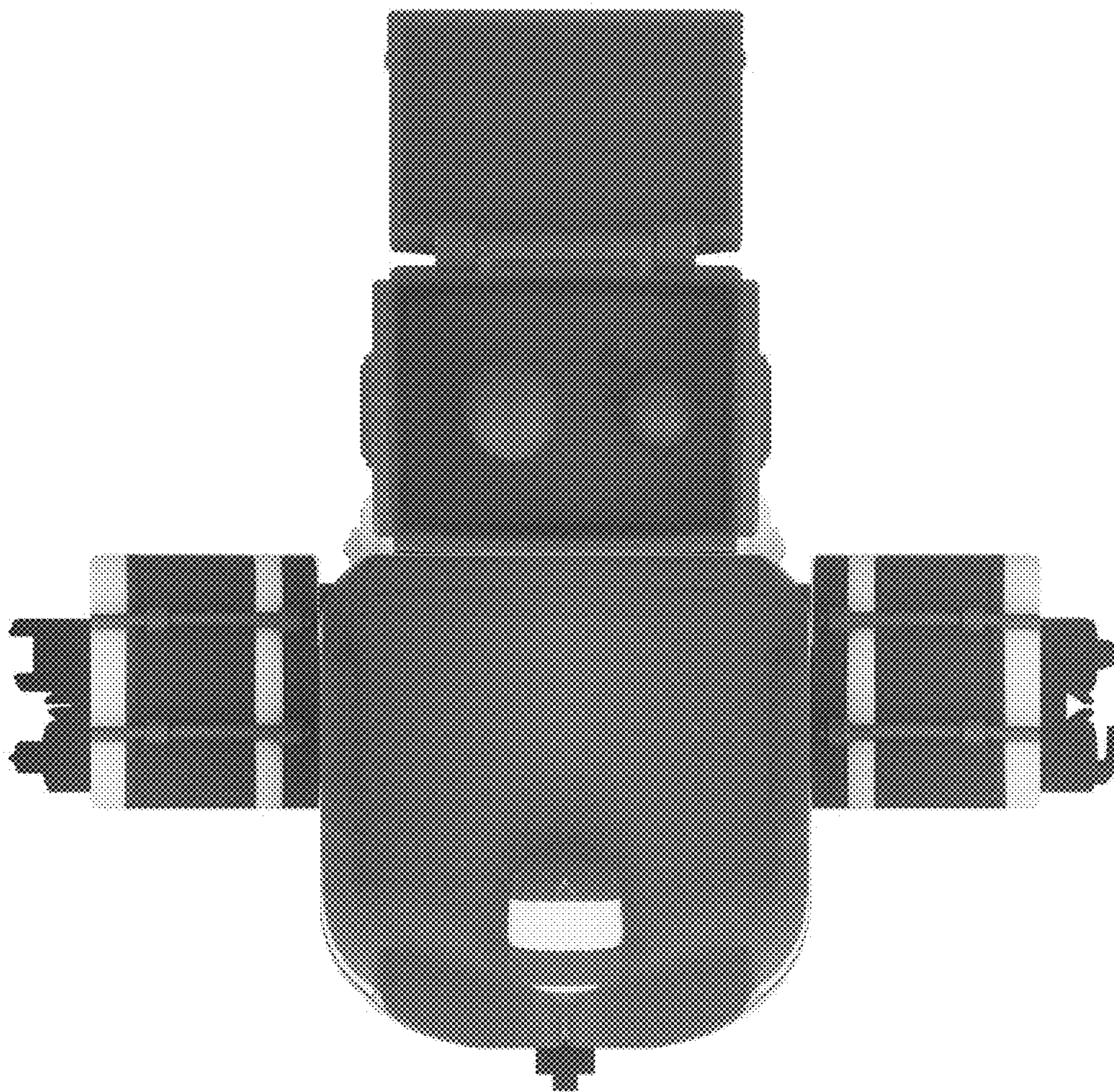




FIG. 7

