



US00D793488S

(12) **United States Design Patent** (10) **Patent No.:** **US D793,488 S**
Rondeau et al. (45) **Date of Patent:** **** Aug. 1, 2017**

(54) **LAUNCHER**

(71) Applicant: **MEGA Brands Inc.**, Montreal (CA)
(72) Inventors: **Alexandre Rondeau**, Montreal (CA);
Charles Vaillancourt, Blainville (CA)
(73) Assignee: **MEGA Brands Inc.**, Montreal, Quebec (CA)
(**) Term: **15 Years**

(21) Appl. No.: **29/554,563**

(22) Filed: **Feb. 12, 2016**

(51) **LOC (10) Cl.** **21-01**

(52) **U.S. Cl.**
USPC **D21/573**

(58) **Field of Classification Search**
USPC D21/333, 401, 461, 567, 568, 570–575;
D14/418; D22/100, 101, 103, 104, 105,
D22/108–110; 124/16, 26, 27, 28, 29,
124/54, 73–77; 222/78, 79; 42/54, 57,
42/58, 71.01, 72, 73, 74, 75.03, 90;
446/23, 182, 192, 401, 403, 405–407,
446/473, 475
CPC F41C 23/00; F41C 23/02; F41C 23/04;
F41C 23/06; F41C 23/08; F41C 23/10;
F41C 23/12; F41C 23/14; F41C 23/16;
(Continued)

(56) **References Cited**

U.S. PATENT DOCUMENTS

1,311,934 A * 8/1919 Weinholt F41B 7/006
124/27
D145,805 S * 10/1946 Hooper D21/573
(Continued)

FOREIGN PATENT DOCUMENTS

WO 2014140102 9/2014

OTHER PUBLICATIONS

“Car Air Horn.” Lego Part 112, first produced 1996 according to:
<URL: <http://www.peeron.com/inv/parts/112>>.

(Continued)

Primary Examiner — Cynthia M Chin

(74) *Attorney, Agent, or Firm* — Plumsea Law Group, LLC

(57) **CLAIM**

The ornamental design for a launcher, as shown and described.

DESCRIPTION

FIG. 1 is a top isometric perspective view of a launcher showing the new design, with the launcher in an after-launch configuration;

FIG. 2 is a front elevational view of the launcher of FIG. 1; FIG. 3 is a rear elevational view of the launcher of FIG. 1; FIG. 4 is a right side elevational view of the launcher of FIG. 1;

FIG. 5 is a left side elevational view of the launcher of FIG. 1;

FIG. 6 is a top plan view of the launcher of FIG. 1;

FIG. 7 is a bottom plan view of the launcher of FIG. 1;

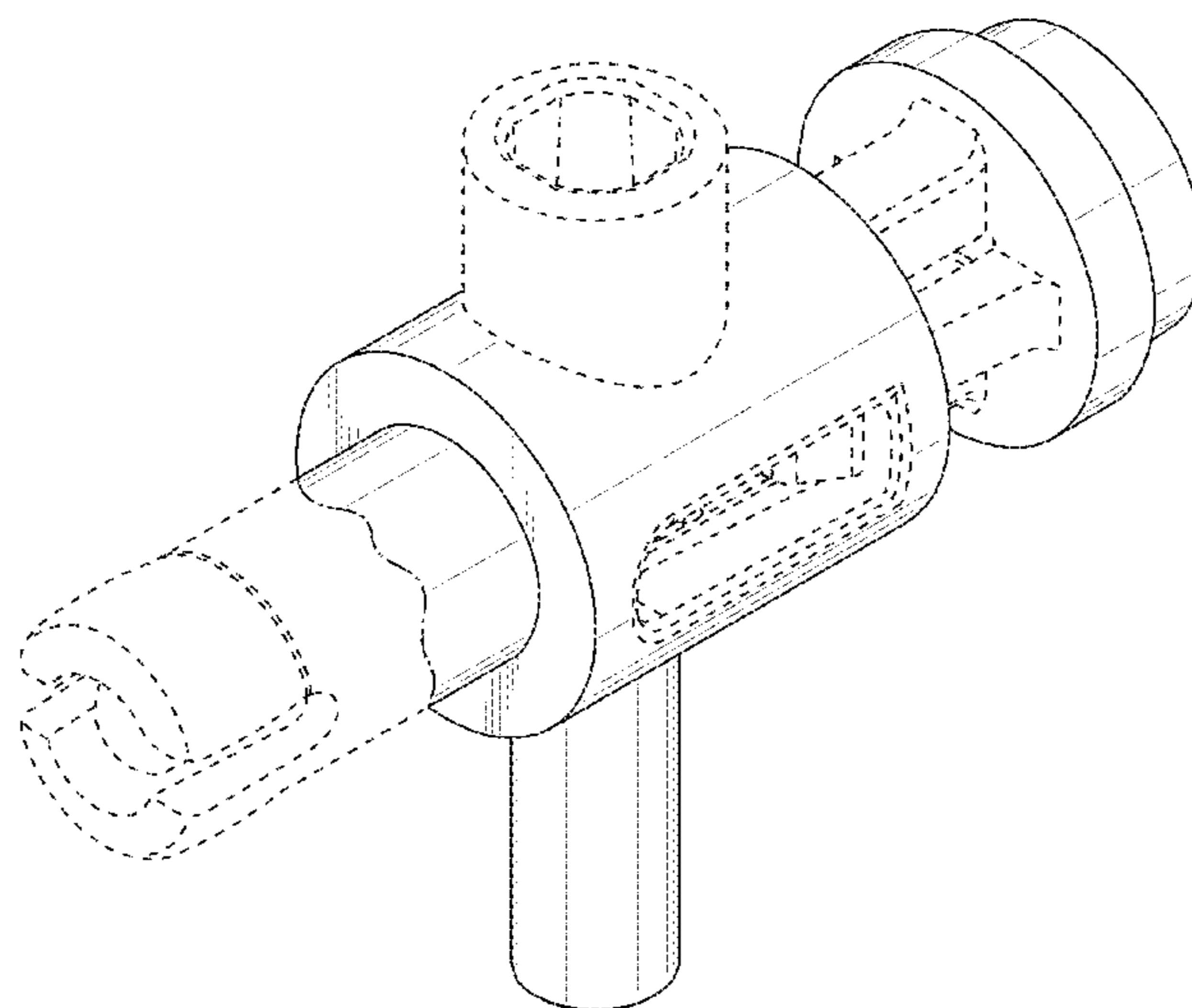
FIG. 8 is a top isometric perspective view of the launcher of FIG. 1, with the launcher in a before-launch configuration; FIG. 9 is a right side elevational view of the launcher of FIG. 8;

FIG. 10 is a left side elevational view of the launcher of FIG. 8;

FIG. 11 is a top plan view of the launcher of FIG. 8; and, FIG. 12 is a bottom plan view of the launcher of FIG. 8.

The broken lines and unshaded surfaces depict parts of the launcher’s appearance that form no part of the claimed design. The dash-dot broken lines immediately adjacent the shaded areas represent the bounds of the claim. None of the broken lines form a part of the claimed design.

1 Claim, 12 Drawing Sheets



(58) **Field of Classification Search**
 CPC F41C 23/18; F41C 23/20; F41C 23/22;
 F41C 7/02; F41C 7/04; F41C 7/06; F41C
 7/11; F41C 7/12

See application file for complete search history.

2007/0119440 A1* 5/2007 Andersen A63F 7/2472
 124/79
 2015/0226514 A1 8/2015 Bird et al.
 2016/0016086 A1 1/2016 Garling

OTHER PUBLICATIONS

(56) **References Cited**

U.S. PATENT DOCUMENTS

D159,552 S * 8/1950 Shelton 42/54
 2,583,510 A * 1/1952 Ingram G03B 23/12
 353/108
 D282,764 S * 2/1986 Megargee D21/574
 5,213,089 A * 5/1993 DeLuca F41B 7/006
 124/29
 D358,178 S * 5/1995 O'Dell D21/385
 D409,257 S 5/1999 Toft
 D477,642 S * 7/2003 Byrd D21/574
 D488,521 S * 4/2004 Byrd D21/574
 D489,098 S * 4/2004 Byrd D21/574
 D617,398 S * 6/2010 Selevan D21/572
 D674,849 S * 1/2013 Wilson D21/572
 D676,504 S * 2/2013 Wilson D21/572
 D677,741 S * 3/2013 Wilson D21/572
 D678,427 S * 3/2013 Wilson D21/572
 8,893,699 B2 11/2014 Bird et al.

“Minifig Gun Rifle.” Lego Part 30141, first produced 1996 according to: <URL: <http://www.pearon.com/inv/parts/30141>>.
 “Minifig Tool Hose Nozzle with Handle without String.” Lego Part 194, first produced 1997 according to: <URL: <http://www.pearon.com/inv/parts/194>>.
 “Minifig Tool Hose Nozzle with Handles with Black String.” Lego Part 22921cx1, first produced 2000 according to: <URL: <http://www.pearon.com/inv/parts/22921cx1>>.
 “Minifig Gun Blaster Pistol.” Lego Part x1740, first produced 2007 according to: <URL: <http://www.pearon.com/inv/parts/x1740>>.
 “Minifig Tool Hose Nozzle with Side String Hole.” Lego Part x1742, first produced 2007 according to: <URL: <http://www.pearon.com/inv/parts/x1742>>.
 “Minifig Gun Blaster Pistol Small.” Lego Part x1913, first produced 2008 according to: <URL: <http://www.pearon.com/inv/parts/x1913>>.
 “Tap 1 x1 with solid Handle.” Lego Part 4599b, first produced 2010 according to: <URL: <http://www.pearon.com/inv/parts/4599b>>.

* cited by examiner

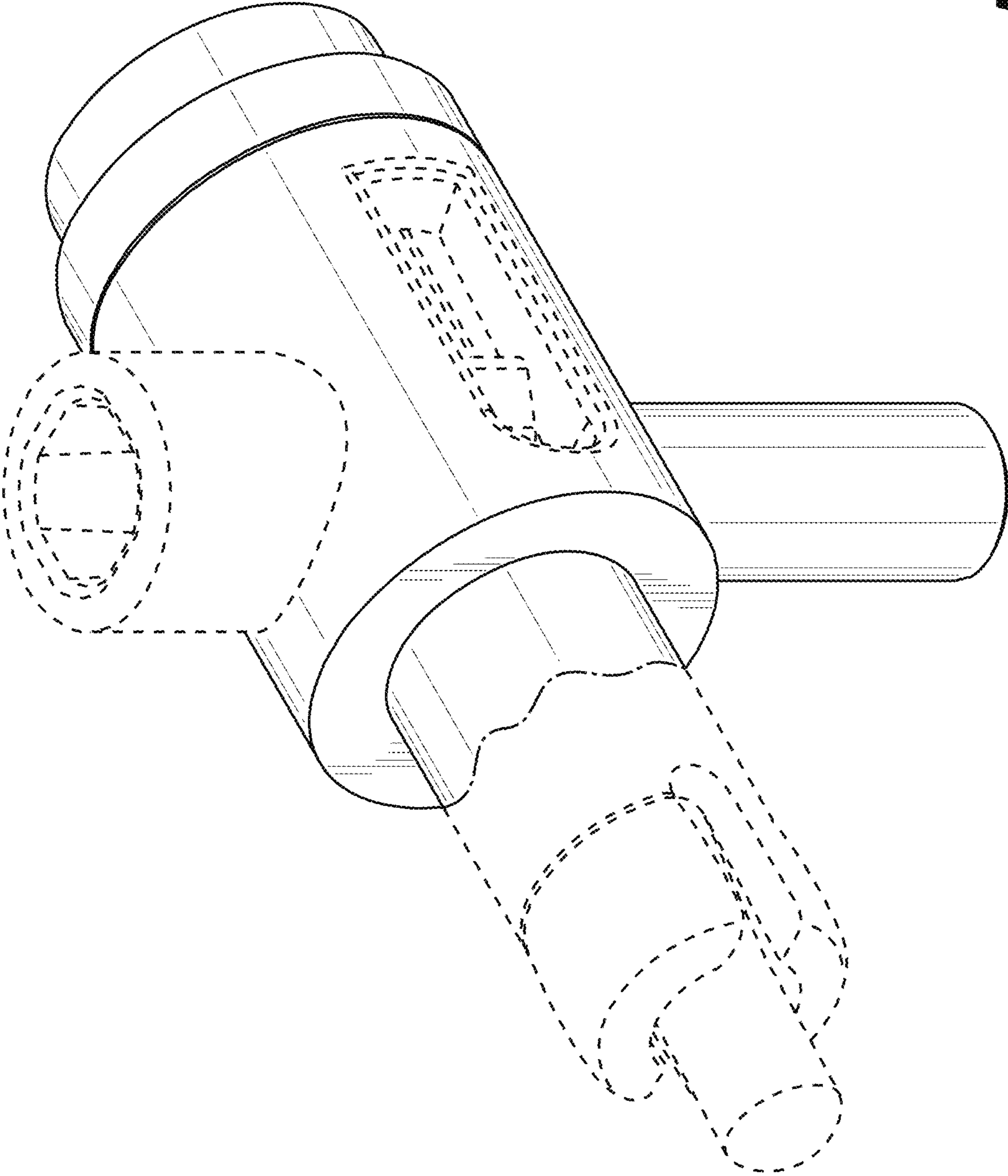


FIG. 1

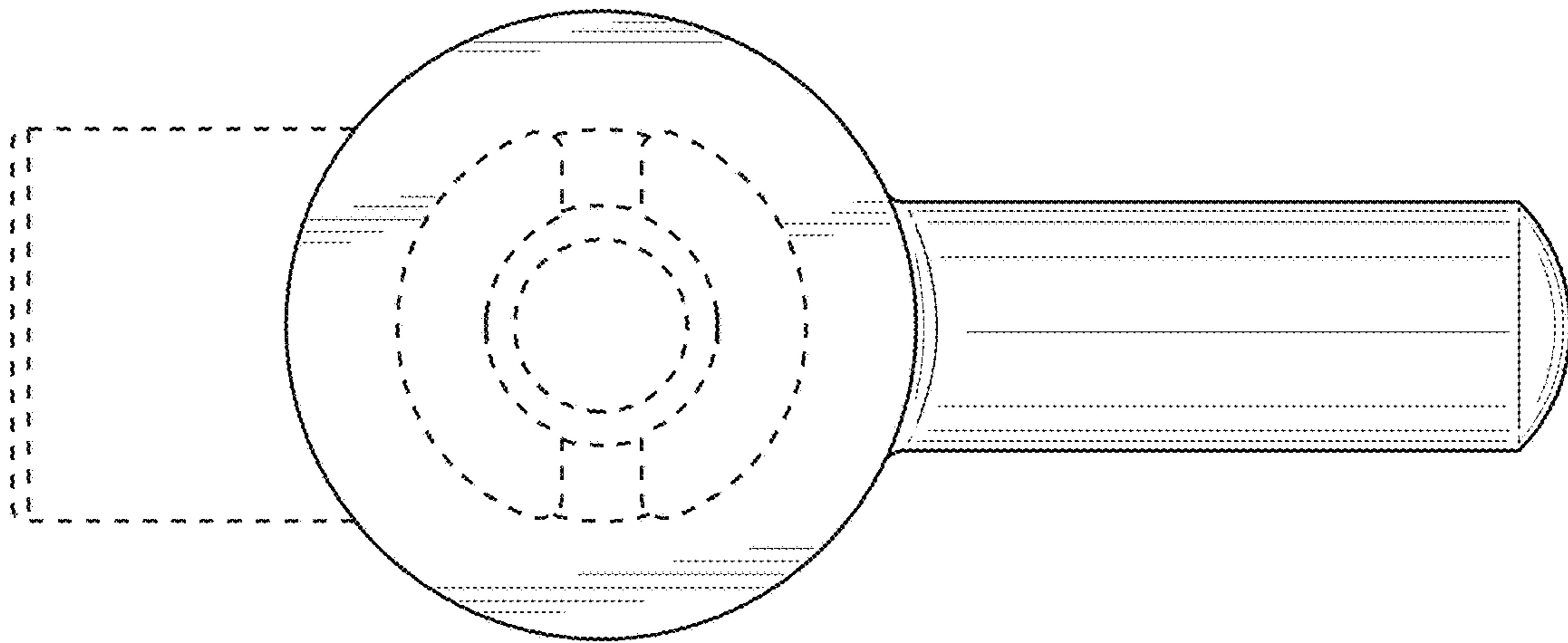


FIG. 2

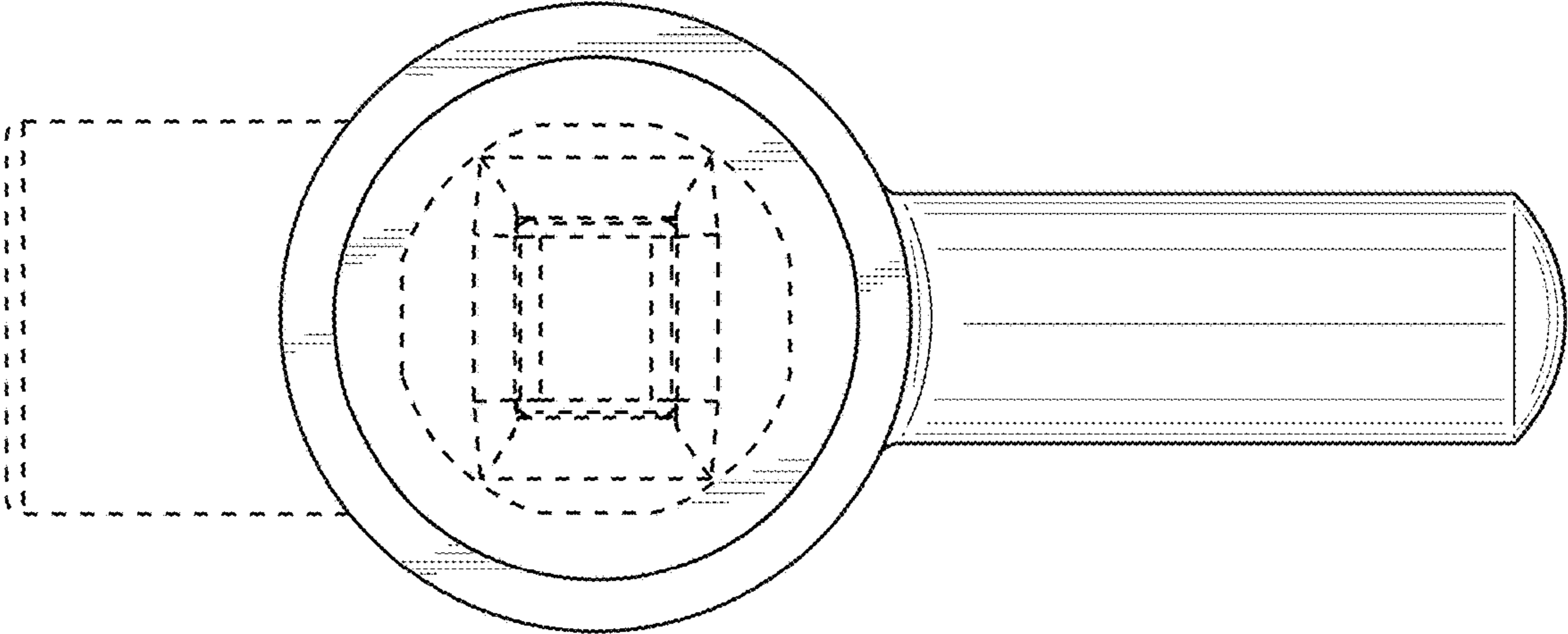


FIG. 3

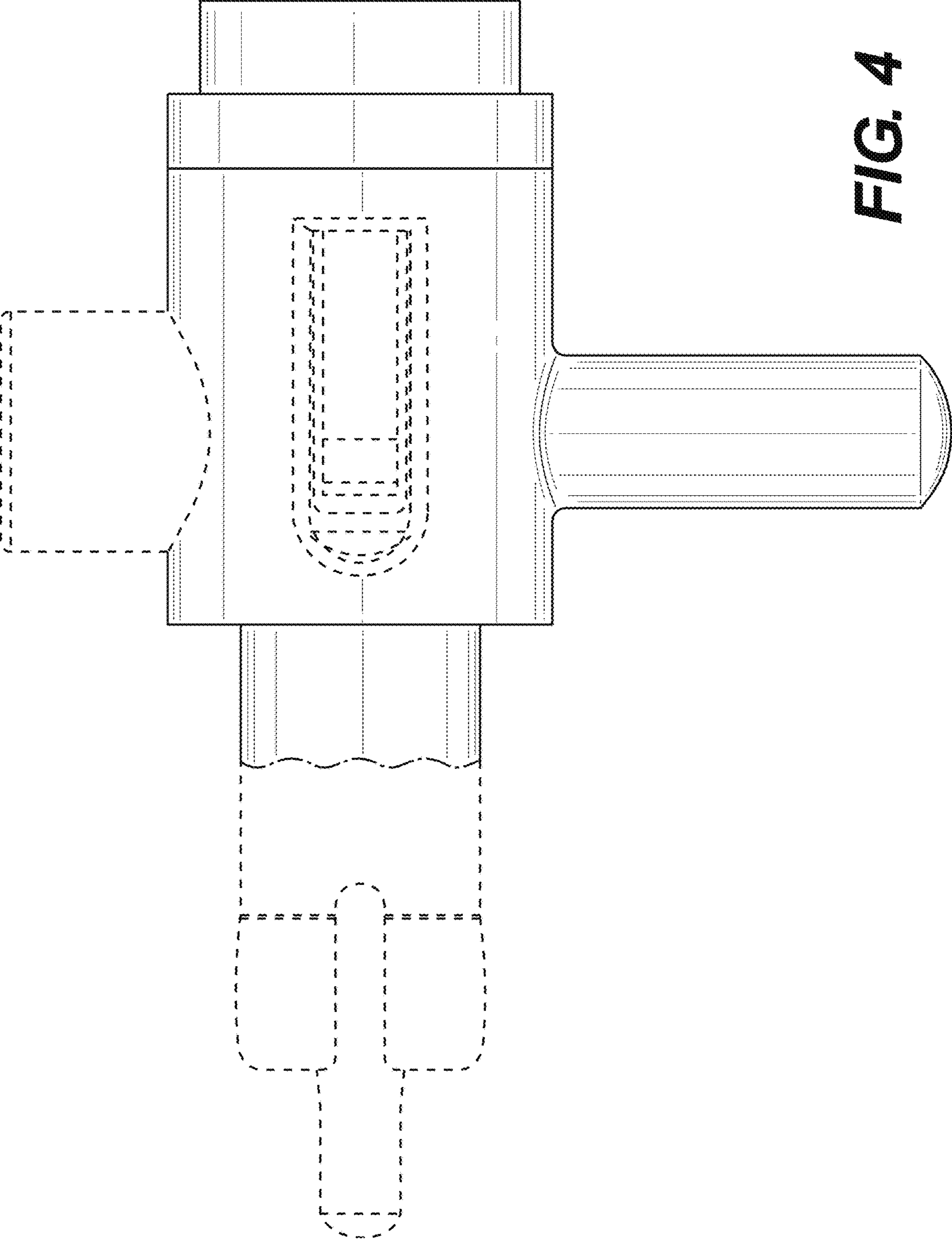


FIG. 4

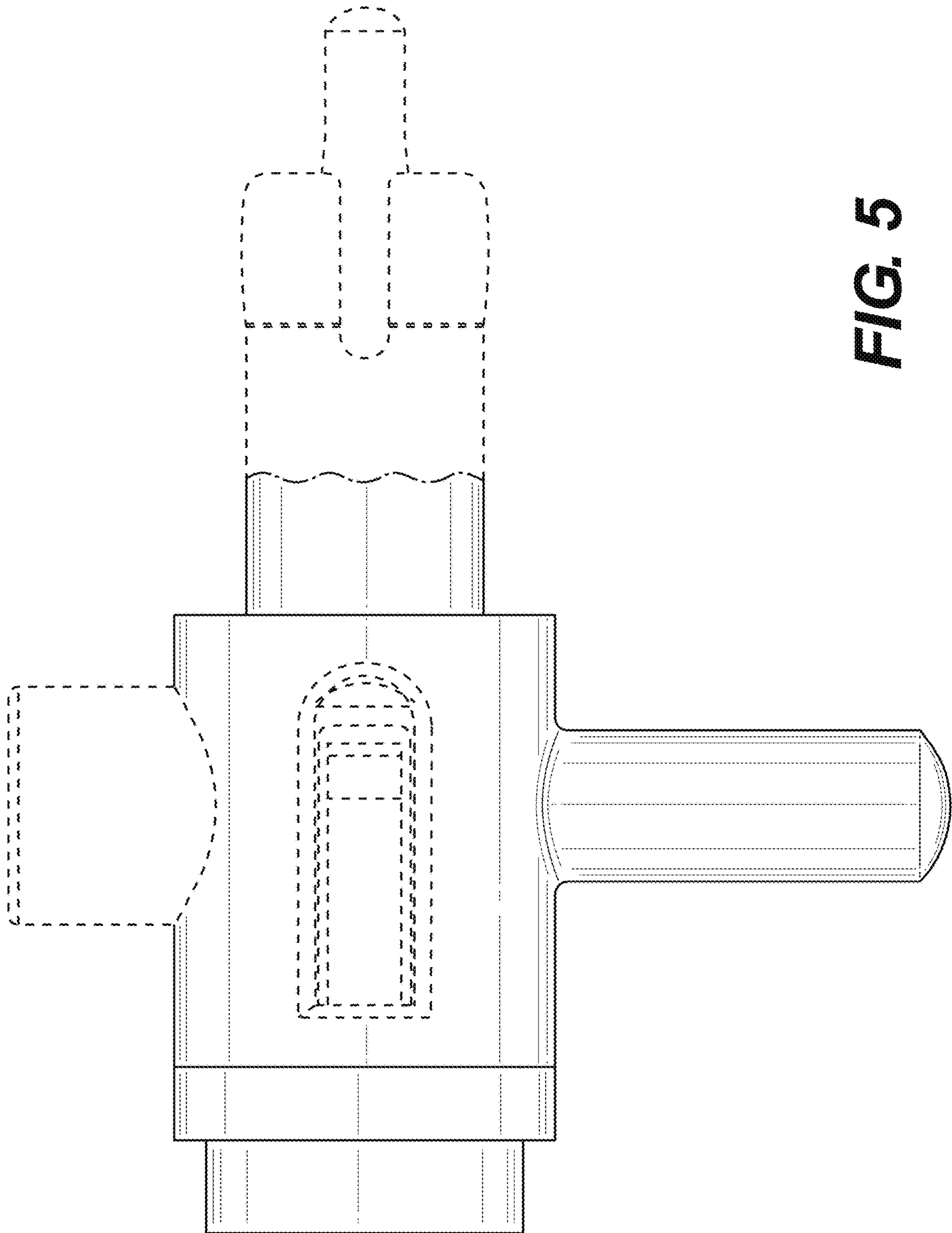


FIG. 5

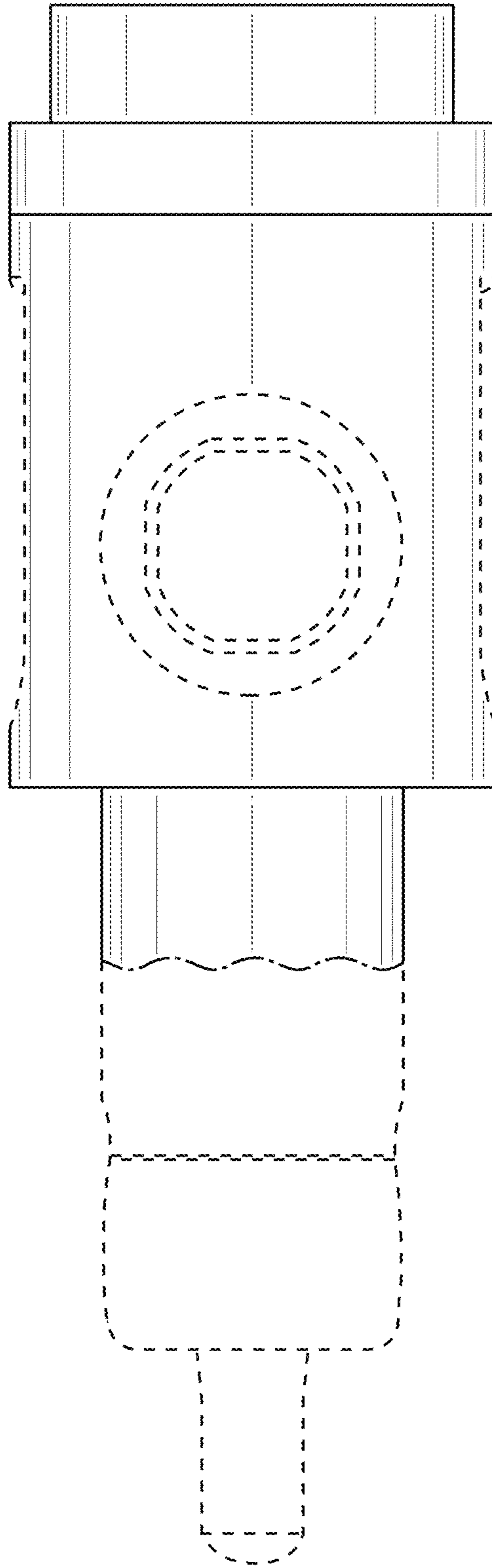


FIG. 6

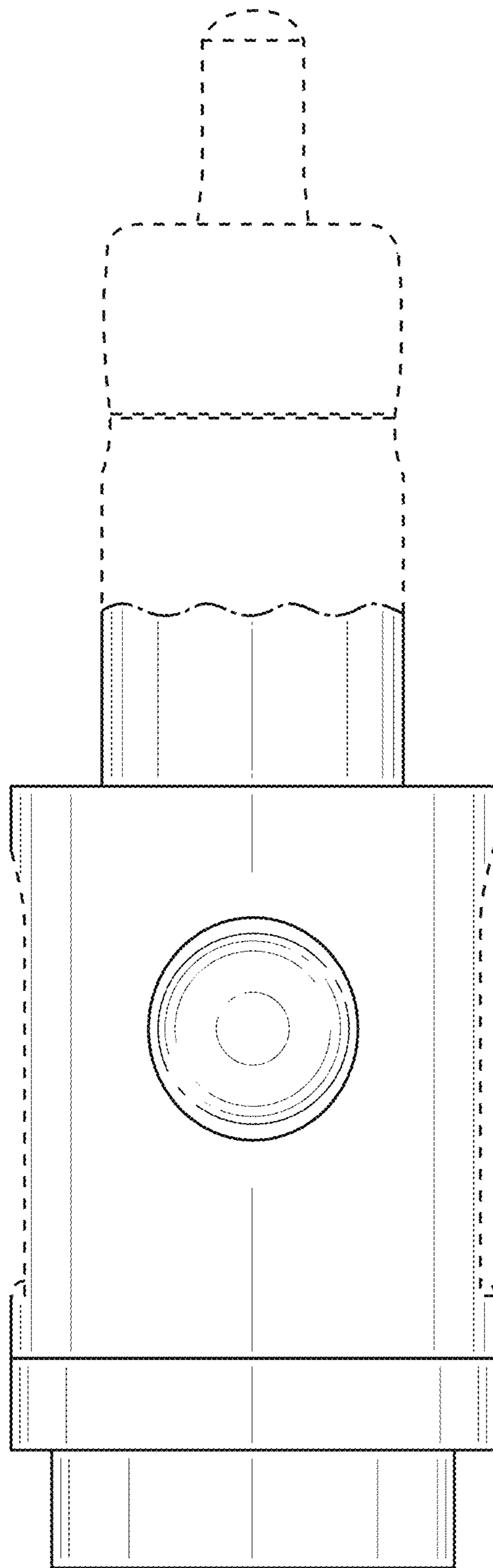


FIG. 7

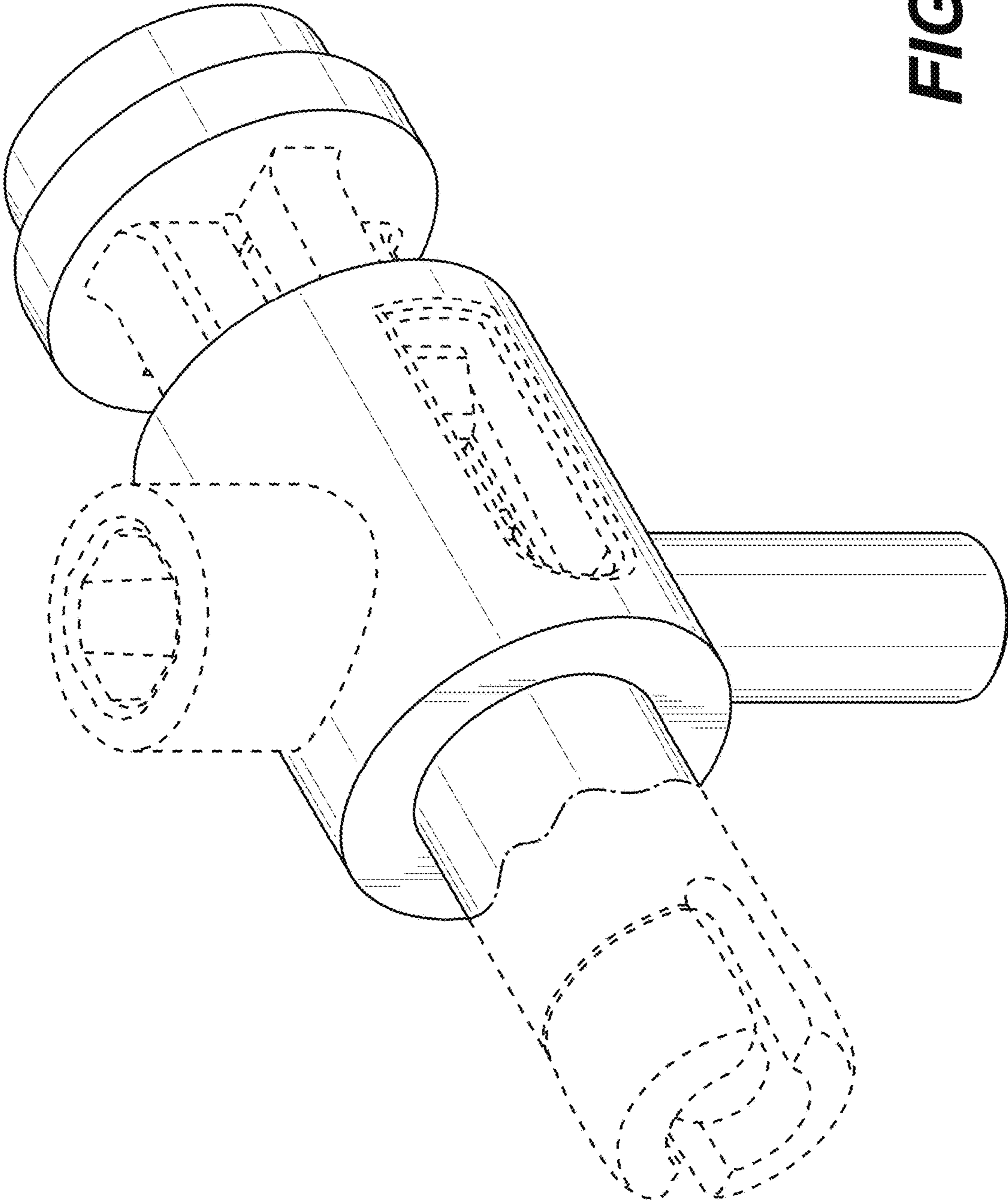


FIG. 8

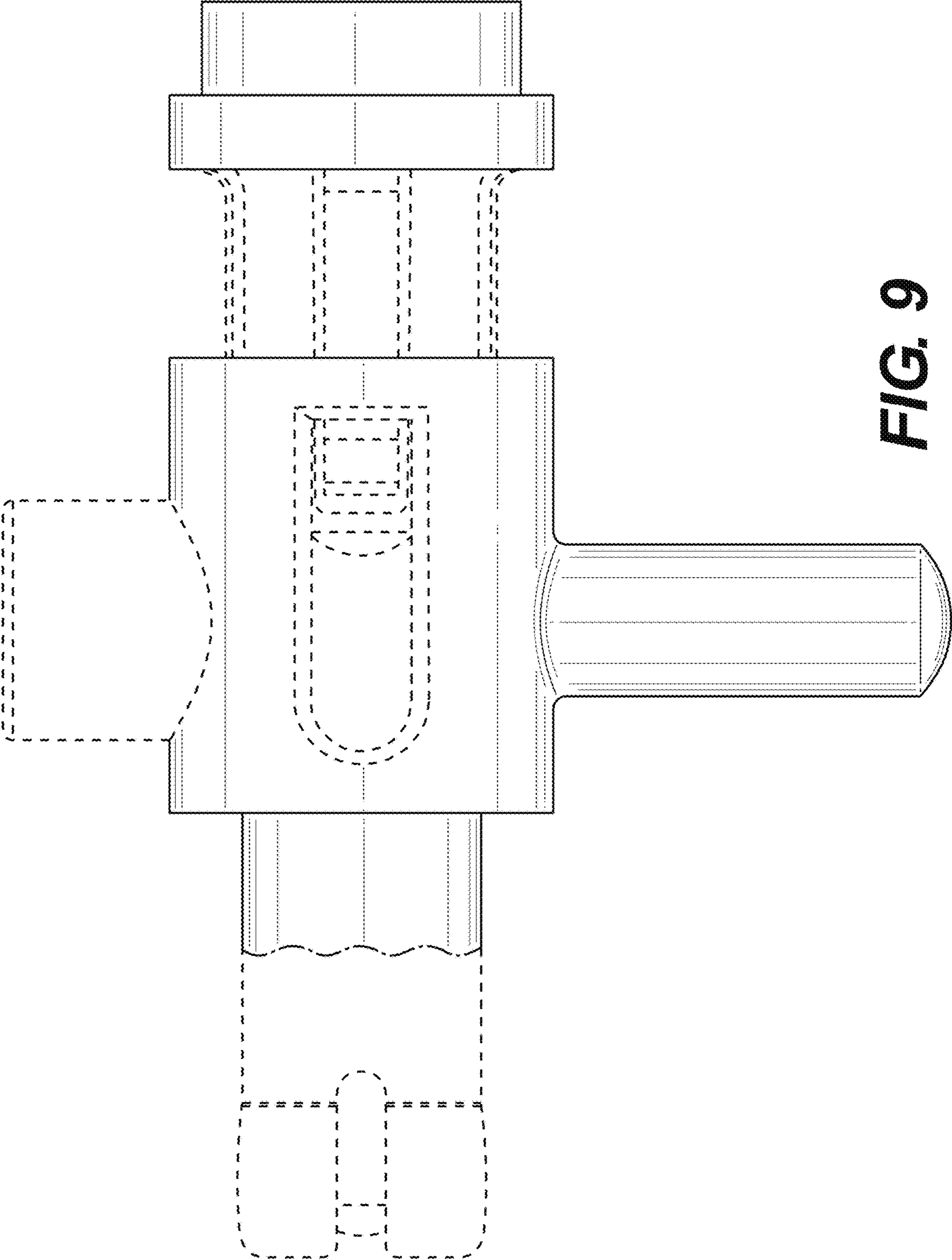


FIG. 9

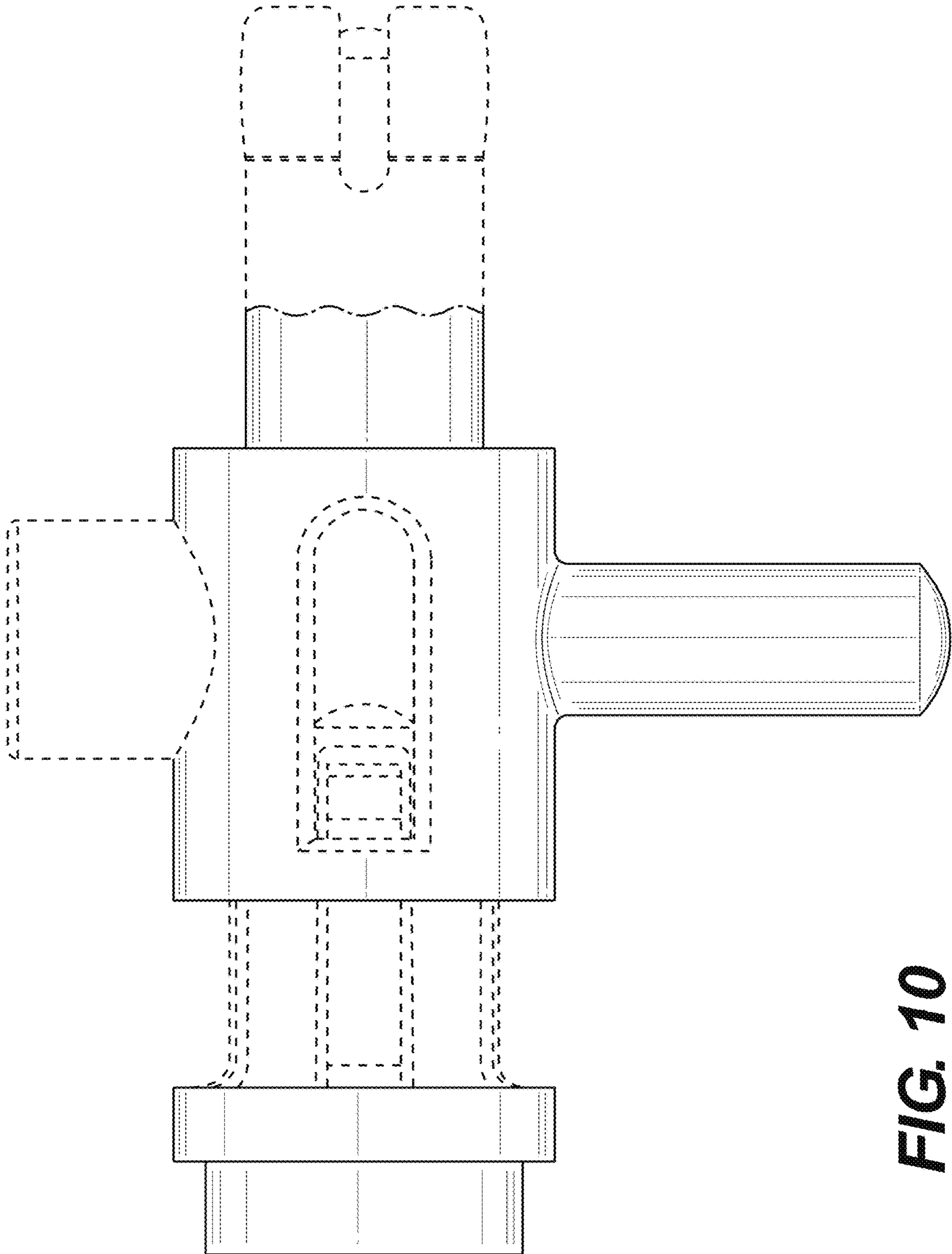


FIG. 10

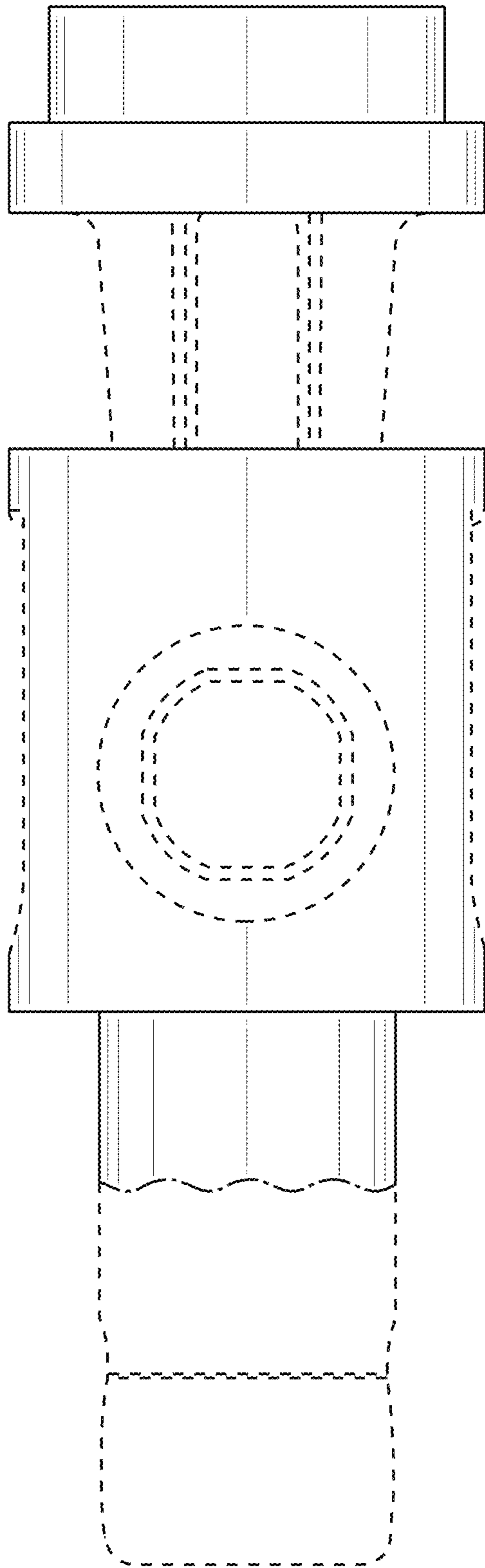


FIG. 11

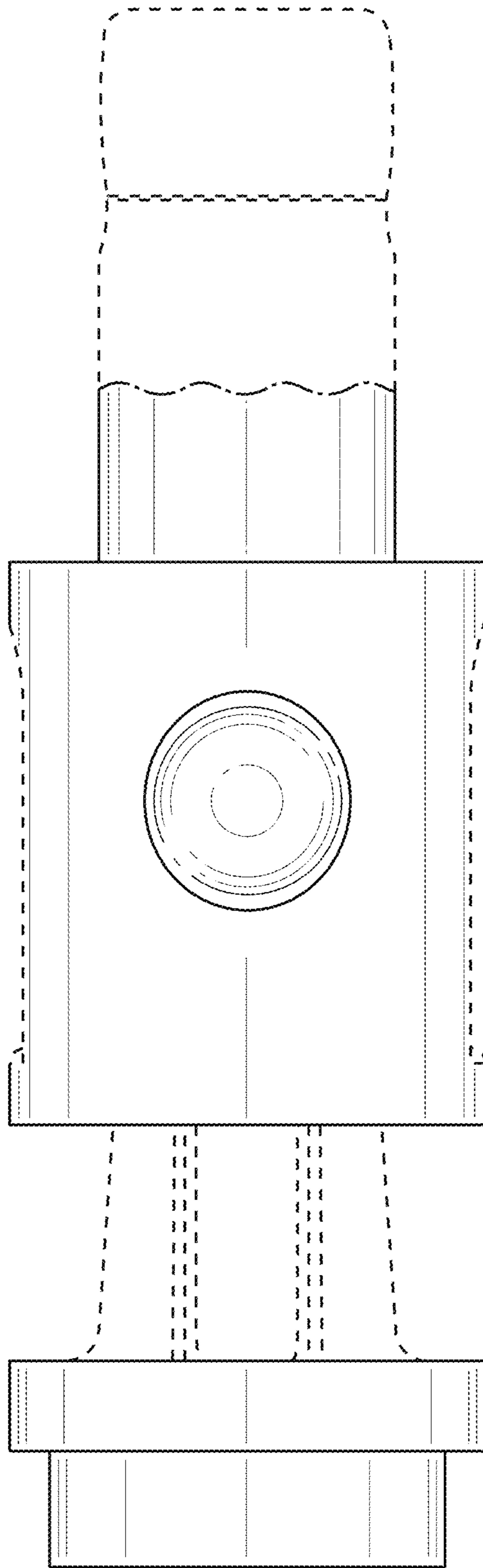


FIG. 12