



US00D793483S

(12) **United States Design Patent** (10) **Patent No.:** **US D793,483 S**
Khubani et al. (45) **Date of Patent:** **** Aug. 1, 2017**

(54) **DEVICE FOR FILLING MULTIPLE WATER BALLOONS**

FOREIGN PATENT DOCUMENTS

(71) Applicant: **Telebrands Corp.**, Fairfield, NJ (US)

CN 201161115 12/2008
DE 29800591 3/1998

(Continued)

(72) Inventors: **Ajit Khubani**, Saddle River, NJ (US);
Cara Leonard, Little Falls, NJ (US)

OTHER PUBLICATIONS

(73) Assignee: **Telebrands Corp.**, Fairfield, NJ (US)

Petition for Post Grant Review of U.S. Pat. No. 9,051,066, filed on Jun. 22, 2015.

(**) Term: **15 Years**

(Continued)

(21) Appl. No.: **29/546,337**

Primary Examiner — Robert M Spear

(22) Filed: **Nov. 20, 2015**

Assistant Examiner — Marissa J Cash

(51) **LOC (10) Cl.** **21-01**

(74) *Attorney, Agent, or Firm* — Cooper & Dunham, LLP

(52) **U.S. Cl.**

USPC **D21/453**

(57) **CLAIM**

(58) **Field of Classification Search**

USPC D12/16.1, 319, 323–345; D21/436, 438,
D21/439, 440, 441, 448, 449, 450, 452,
D21/453, 454, 455, 396, 488

The ornamental design for a device for filling multiple water balloons, as shown and described.

CPC A63B 65/08; A63H 27/00; A63H 27/12;
A63H 27/10

DESCRIPTION

See application file for complete search history.

FIG. 1 is a top perspective view of a device for filling multiple water balloons in accordance with the present design;

(56) **References Cited**

U.S. PATENT DOCUMENTS

723,292 A	3/1903	Metzger	
1,832,408 A	11/1931	Modes	
2,797,132 A	6/1957	Max	
3,580,303 A	5/1971	Roberge	
4,243,220 A	1/1981	Shelley	
4,529,018 A	7/1985	Lichfield	
4,794,498 A	12/1988	Neumeier	
4,955,412 A	9/1990	Younts	
5,004,633 A *	4/1991	Lovik	A63H 27/10 244/31

FIG. 2 is a bottom perspective view thereof;

FIG. 3 is a front view thereof;

FIG. 4 is a back view thereof;

FIG. 5 is a left side view thereof;

FIG. 6 is a right side view thereof;

FIG. 7 is a top view thereof; and,

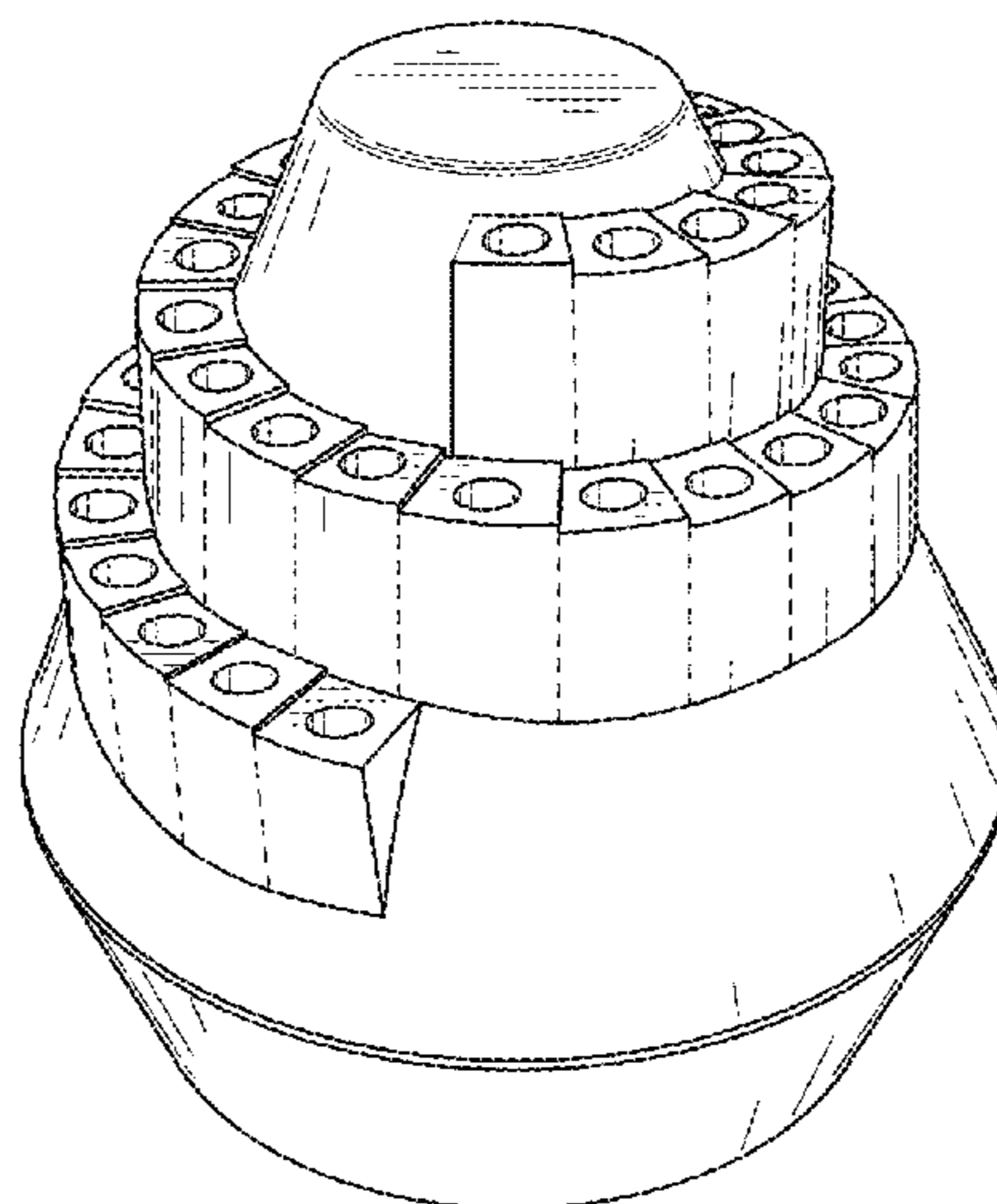
FIG. 8 is a bottom view thereof.

In the drawings, the claimed design is defined by the shaded surfaces; in FIGS. 2 and 8, the broken lines immediately adjacent shaded surfaces represent boundaries of the claim and form no part thereof; all other broken lines in the drawings depict unclaimed environmental subject matter and form no part of the claim.

5,014,757 A	5/1991	Donaldson	
5,067,301 A	11/1991	Shore	
5,165,393 A	11/1992	Kawaguchi	

(Continued)

1 Claim, 7 Drawing Sheets



(56)

References Cited

OTHER PUBLICATIONS

U.S. PATENT DOCUMENTS

5,439,199 A * 8/1995 Briggs F16K 21/04
251/320

5,496,203 A 3/1996 Murray

5,509,540 A * 4/1996 Pomerantz A47F 7/0028
211/13.1

D378,120 S 2/1997 Wood

5,730,366 A 3/1998 DeWitt

5,755,419 A * 5/1998 Gearhart A63H 27/10
248/176.1

5,826,803 A 10/1998 Cooper

6,007,403 A 12/1999 Urspringer

6,106,135 A 8/2000 Zingale

6,106,509 A 8/2000 Loubser

6,408,902 B1 6/2002 Liao

6,478,057 B1 11/2002 Bearss

6,478,651 B1 * 11/2002 Weir G09F 19/00
40/212

6,479,776 B2 11/2002 Nakase

6,488,557 B1 * 12/2002 Elliott A63H 27/10
446/220

6,719,020 B1 4/2004 Bisotto

D619,202 S 7/2010 Zhang

7,981,470 B1 7/2011 Butler

8,037,906 B1 10/2011 Grillo

8,479,776 B2 7/2013 Berardi

8,789,565 B1 7/2014 Wicken

9,051,066 B1 6/2015 Malone

9,174,141 B2 11/2015 Warner

9,242,749 B2 1/2016 Malone

9,315,282 B2 * 4/2016 Malone B65B 3/17

9,481,477 B2 * 11/2016 Kjar C12M 23/40

9,524,105 B2 12/2016 Samuels

9,527,612 B2 12/2016 Malone

9,533,779 B2 1/2017 Malone

2004/0233674 A1 11/2004 Vanderschuit

2005/0004430 A1 1/2005 Lee

2005/0138862 A1 * 6/2005 O'Connor B65D 85/505
47/41.12

2006/0272432 A1 12/2006 Belongia

2008/0029099 A1 2/2008 Storz

2008/0121309 A1 5/2008 Boise

2008/0166943 A1 7/2008 Hou

2009/0050835 A1 2/2009 Boise

2009/0130948 A1 5/2009 Deasy, II

2010/0014378 A1 1/2010 Strahmann

2010/0319796 A1 * 12/2010 Whitaker F16K 11/085
137/625.46

2010/0326212 A1 12/2010 Furey

2011/0030847 A1 2/2011 Wang

2011/0253256 A1 * 10/2011 Finley A63H 27/10
141/98

2012/0085461 A1 * 4/2012 Coker G01F 13/00
141/237

2012/0256012 A1 10/2012 Posner

2012/0326212 A1 12/2012 Fompeyrine

2013/0118640 A1 5/2013 Saggio

2013/0186972 A1 7/2013 Petrovic

2013/0226219 A1 8/2013 Brister

2014/0030452 A1 * 1/2014 Warner A63H 27/10
428/34.1

2014/0073990 A1 3/2014 Holmes

2014/0360626 A1 12/2014 Stieler

2015/0259085 A1 9/2015 Malone

2016/0083122 A1 3/2016 Malone

2016/0101367 A1 4/2016 Walz

2016/0243454 A1 8/2016 Laden

FOREIGN PATENT DOCUMENTS

FR 2911512 7/2008

WO WO 90/00430 1/1990

WO WO 2015/027187 2/2015

WO WO 2015/118518 8/2015

Decision Instituting Post Grant Review of U.S. Pat. No. 9,051,066, entered on Jan. 4, 2016.

Noodlehead Sprinkler, copyrighted 2010.

ZORBZ Replicator, available at <https://www.youtube.com/watch?v=wCajj0KPV7c>, accessed on Aug. 19, 2014.

Declaration of Dr. Ken Kamrin dated Jun. 21, 2015, submitted in support of Petition for Post Grant Review of U.S. Pat. No. 9,051,066, filed on Jun. 22, 2015.

Declaration of Dr. Greg Saggio dated Jun. 18, 2015, submitted in support of Petition for Post Grant Review of U.S. Pat. No. 9,051,066, filed on Jun. 22, 2015.

Declaration of Kendall Harter dated Jun. 17, 2015, submitted in support of Petition for Post Grant Review of U.S. Pat. No. 9,051,066, filed on Jun. 22, 2015.

Bunch O Balloons, available at bunchoballoons.com, copyrighted 2015, accessed in Jun. 2015.

This Simple Contraption Lets You Make 100 Water Balloons Every Minute, Gizmodo, available at <http://gizmodo.com/>, published Jul. 2014.

Written Opinion of International Search Authority PCT/US2016/018922, published May 2, 2016.

International Search Report PCT/US2016/018922, published May 2, 2016.

Written Opinion of International Search Authority PCT/US2016/018912, published Apr. 22, 2016.

Jun. 29, 2016 Non-Final Office Action issued in connection with Application U.S. Appl. No. 14/978,839.

Jun. 9, 2016 Non-Final Office Action issued in connection with Application U.S. Appl. No. 14/997,230.

Jul. 21, 2016 Non-Final Office Action issued in connection with Application U.S. Appl. No. 15/177,796.

International Search Report PCT/US2016/018912, published Apr. 22, 2016.

Water Balloon Paint War, available at <http://www.growingajeweledrose.com/2013/07/water-balloon-paint-war.html>, accessed on Dec. 27, 2015.

Colorful Water Balloon Fights, available at <http://rundrenched.com/introducing-the-most-colorful-water-balloon-fight-in-the-world/>, accessed on Dec. 27, 2015.

Making Paint Balloons, available at http://learn.waInnart.conn/Tips-Ideas/Articles/Summner_Gatherings/25392/, accessed on Dec. 27, 2015.

Examination Report for Australian Patent Application No. 2016100289, issued May 20, 2016.

Examination Report for Australian Patent Application No. 2016100290, issued May 20, 2016.

Air Force 4 Inflator, available at www.conwinonline.com, published Jun. 9, 2013.

Petition for Post Grant Review of U.S. Pat. No. 9,315,282, filed on Aug. 12, 2016 (PGR2016-00031).

Declaration of Dr. Ken Kamrin dated Aug. 11, 2016 submitted in support of Petition for Post Grant Review of U.S. Pat. No. 9,315,282, filed on Aug. 12, 2016 (PGR2016-00031).

Declaration of Dr. Ken Kamrin dated Aug. 7, 2016, submitted in support of Petition for Post Grant Review of U.S. Pat. No. 9,242,749, filed on Aug. 8, 2016 (PGR2016-00030).

Final Written Decision of PGR2015-00018, entered on Dec. 30, 2016.

Jun. 21, 2016 Extended European Search Report issued in connection with Application No. 15158482.8, issued by the European Patent Office.

Petition for Post Grant Review of U.S. Pat. No. 9,242,749, filed on Aug. 8, 2016 (PGR2016-00030).

Decision Instituting Post Grant Review of U.S. Pat. No. 9,315,282, entered on Feb. 21, 2017.

Decision Instituting Post Grant Review of U.S. Pat. No. 9,242,749, entered on Feb. 21, 2017.

Examination Report for Australian Patent Application No. 2016100289, issued Oct. 25, 2016.

(56)

References Cited

OTHER PUBLICATIONS

Written Opinion of International Search Authority PCT/US17/13783, published Apr. 14, 2017.

Examination Report for Australian Patent Application No. 2016102136, issued Mar. 7, 2017.

Examination Report for Australian Patent Application No. 2016102137, issued Mar. 7, 2017.

Examination Report for Australian Patent Application No. 2016102138, issued Mar. 9, 2017.

International Search Report PCT/US17/13783, published Apr. 14, 2017.

* cited by examiner

FIG. 1

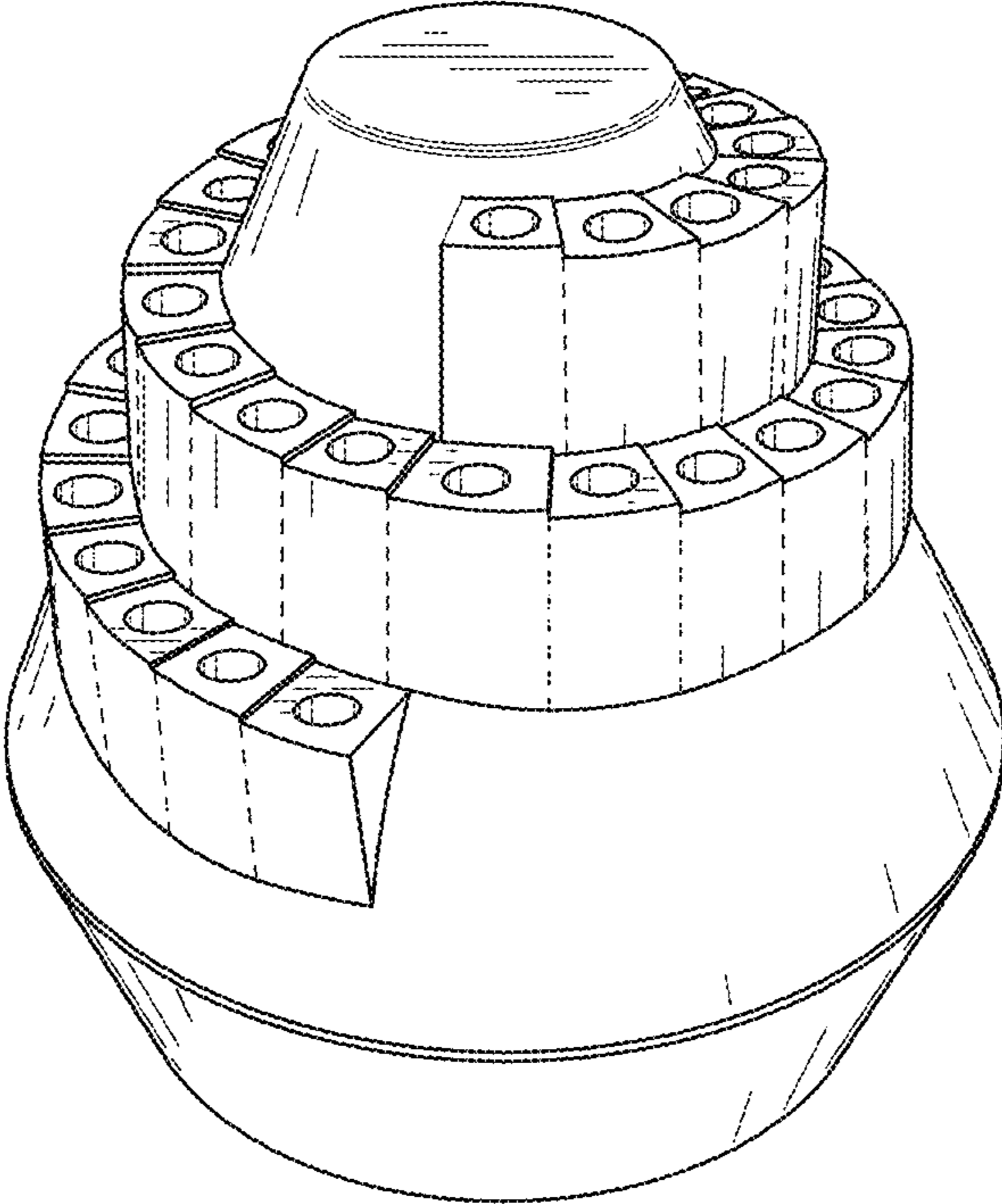


FIG. 2

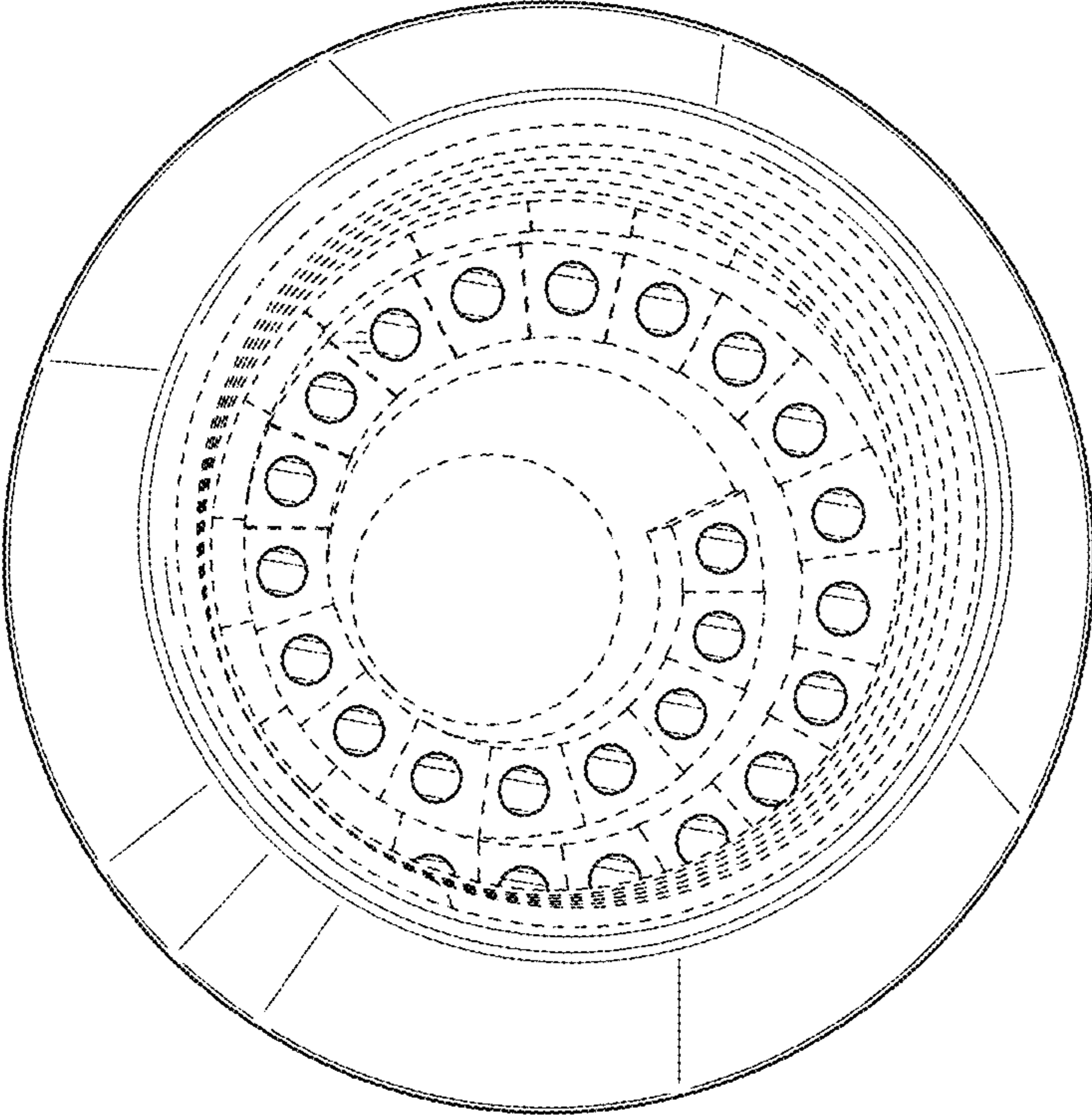


FIG. 3

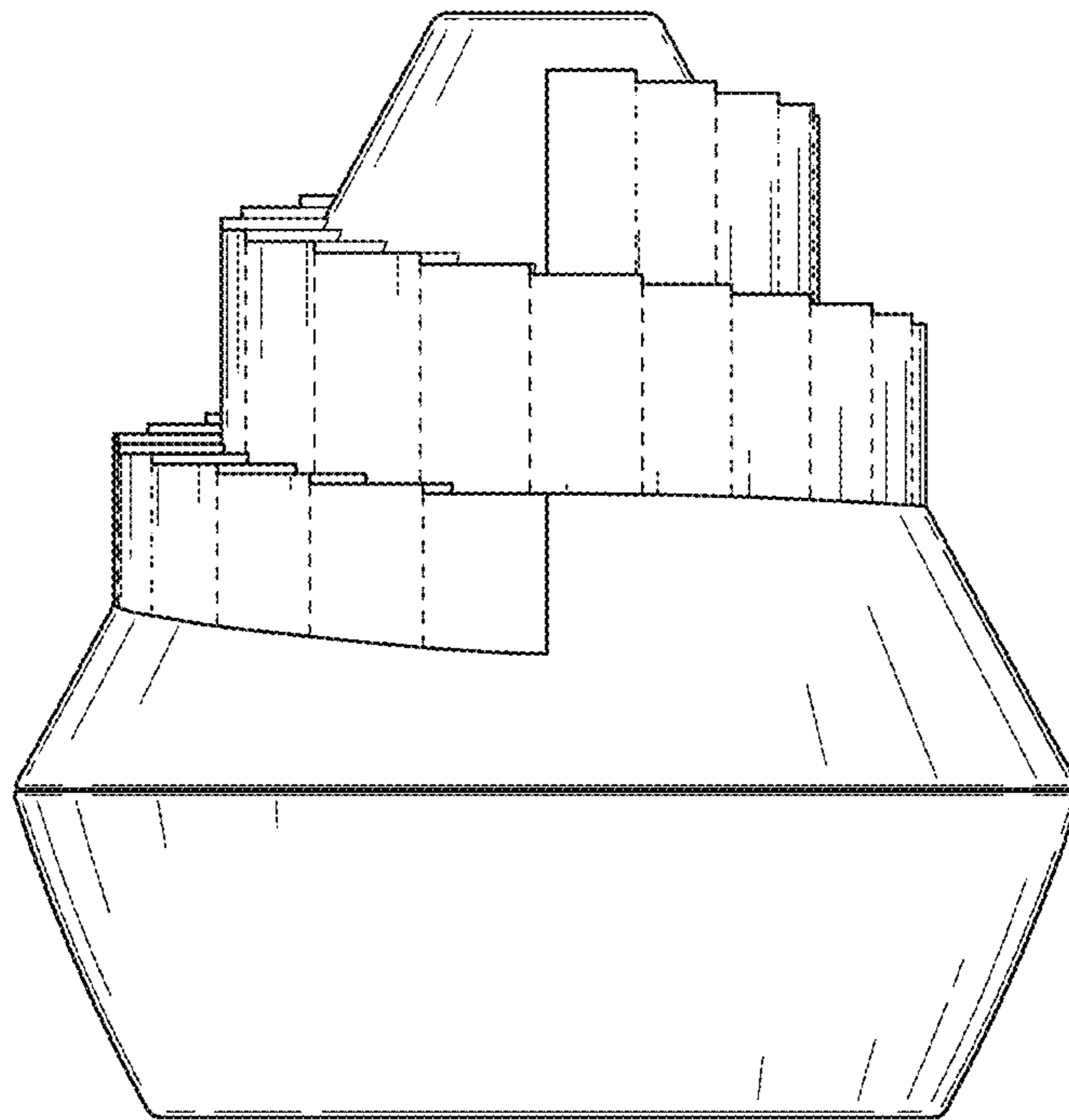


FIG. 4

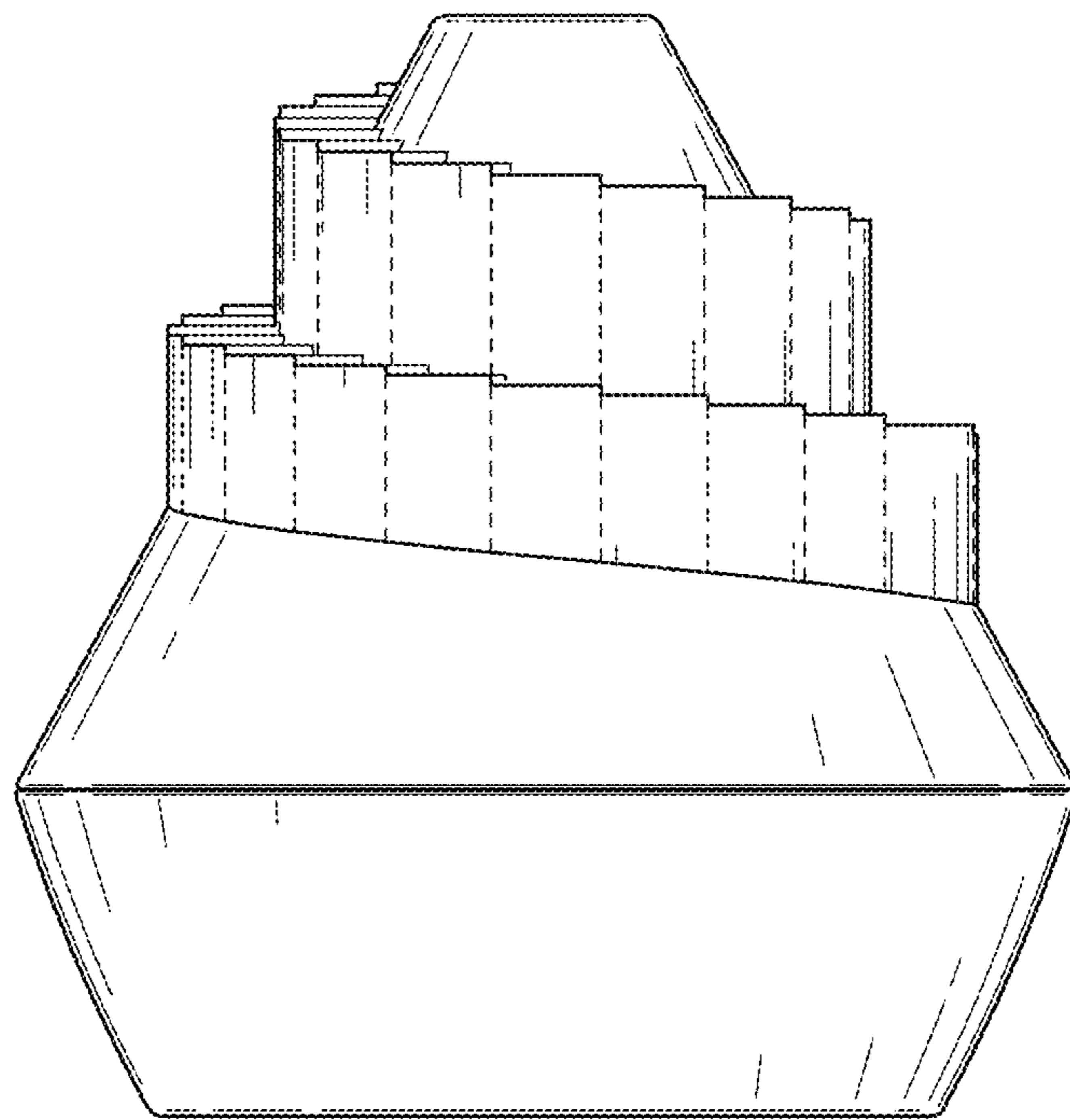


FIG. 5

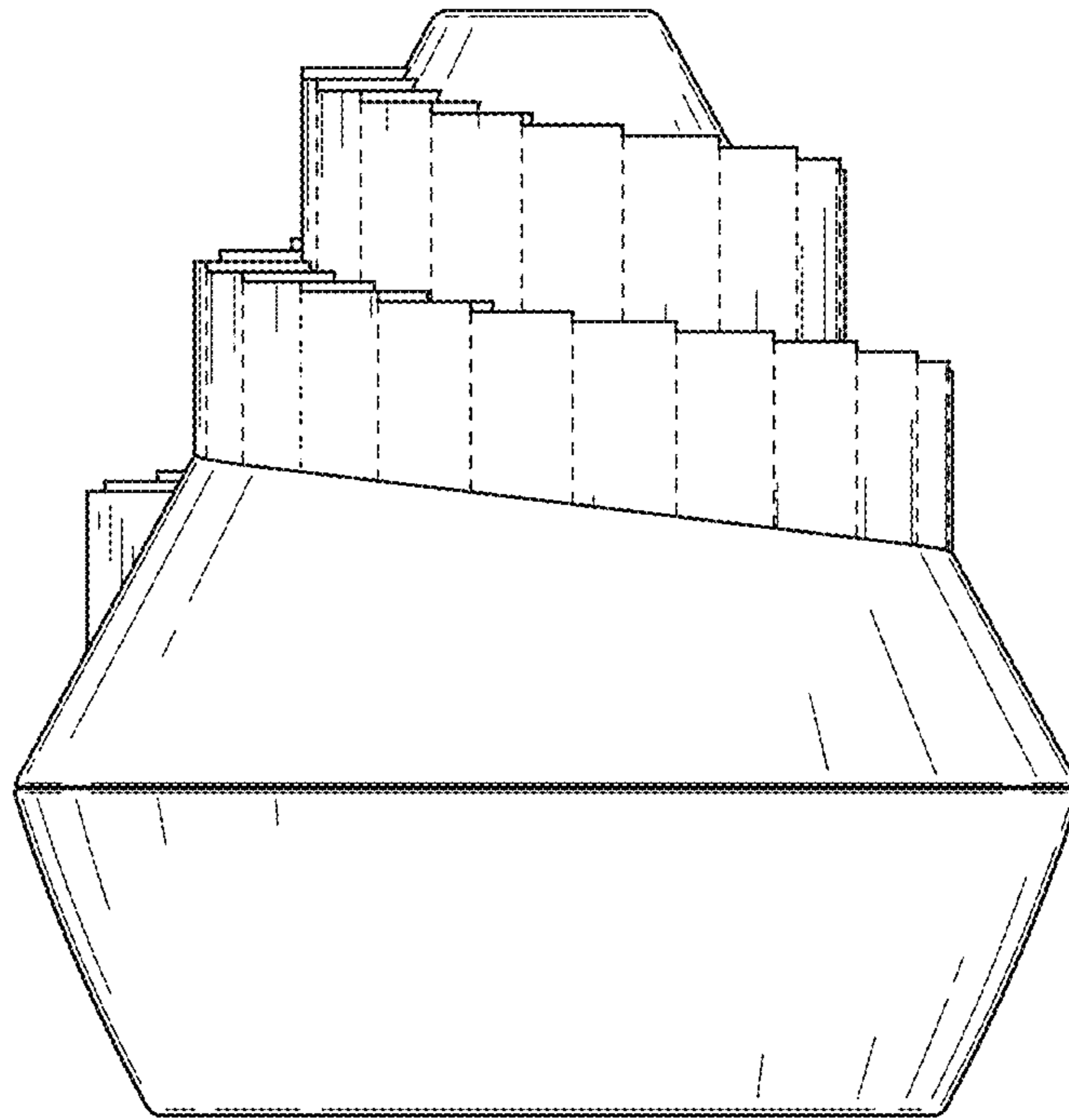


FIG. 6

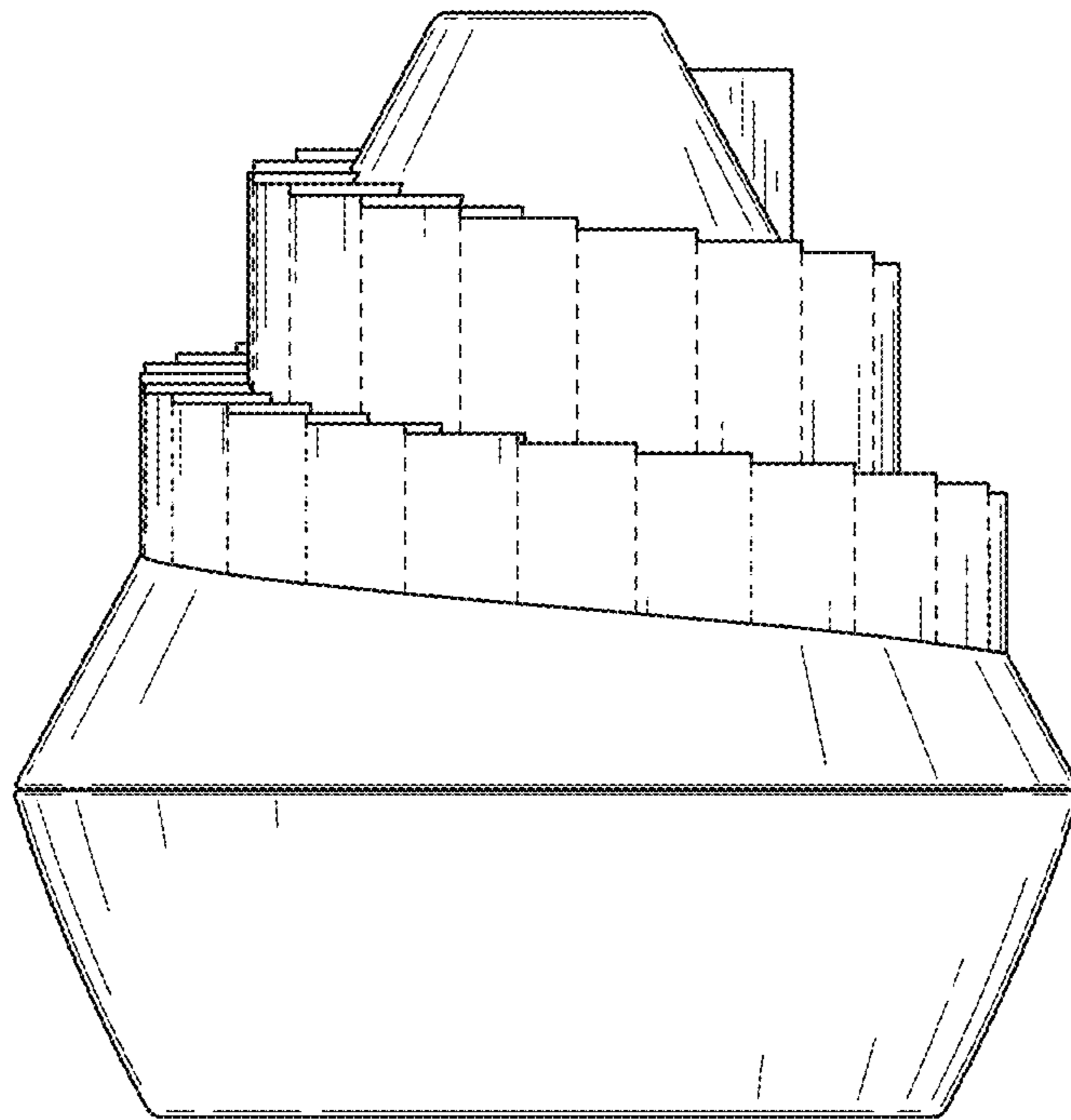


FIG. 7

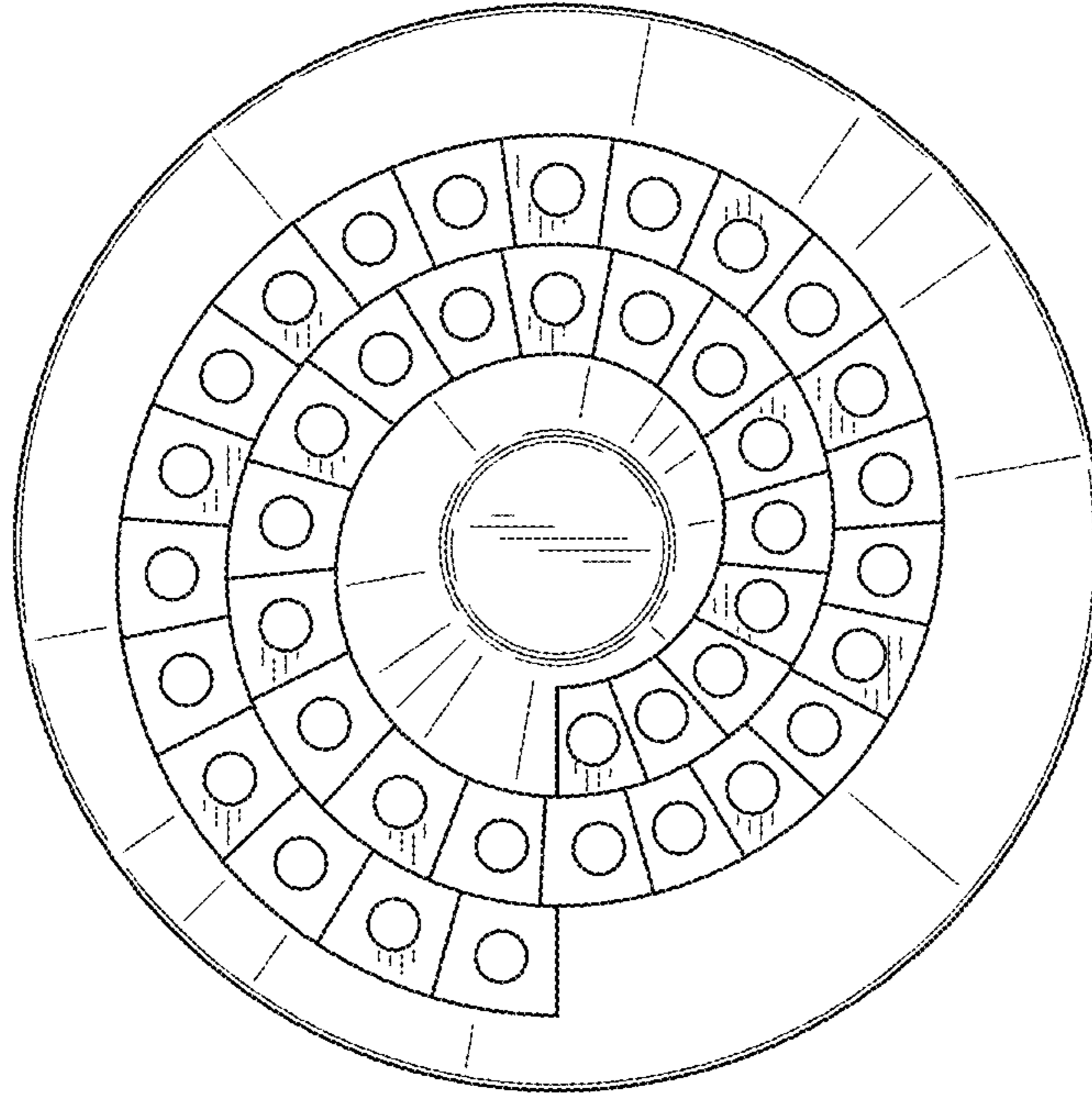


FIG. 8

