



US00D793482S

(12) **United States Design Patent**
Wang

(10) **Patent No.:** **US D793,482 S**

(45) **Date of Patent:** **** Aug. 1, 2017**

- (54) **QUADCOPTER MODEL DRONE**
- (71) Applicant: **Shenzhen Hubsan Technology Co., Ltd.**, Shenzhen (CN)
- (72) Inventor: **Rujia Wang**, Shenzhen (CN)
- (73) Assignee: **SHENZHEN HUBSAN TECHNOLOGY CO., LTD.**, Shenzhen (CN)
- (**) Term: **15 Years**
- (21) Appl. No.: **29/563,687**
- (22) Filed: **May 6, 2016**
- (51) **LOC (10) Cl.** **21-01**
- (52) **U.S. Cl.**
USPC **D21/441; D12/16.1**
- (58) **Field of Classification Search**
USPC D12/16.1, 319-324, 326-345; D21/436, D21/441, 443, 444, 446, 447, 448, 449, D21/450, 451, 452, 453
CPC B64C 1/062; B64C 39/024; B64C 27/08; B64C 29/00; B64C 39/00; B64C 23/00
See application file for complete search history.

(56) **References Cited**

U.S. PATENT DOCUMENTS

- 9,061,763 B1 * 6/2015 Christensen A63H 17/28
- 9,099,902 B2 * 8/2015 Chen H02K 5/225
- D756,842 S * 5/2016 Ashjaee D12/16.1
- D768,540 S * 10/2016 Ji D12/16.1
- D772,991 S * 11/2016 Caubel D12/16.1

- 2014/0117149 A1 * 5/2014 Zhou A63H 27/12 244/17.23
- 2015/0051755 A1 * 2/2015 Erhart A63H 27/12 701/2
- 2015/0129711 A1 * 5/2015 Caubel B64C 27/08 244/17.23
- 2015/0321755 A1 * 11/2015 Martin B64C 27/50 244/17.23
- 2015/0336670 A1 * 11/2015 Zhang B64C 1/00 244/119
- 2016/0001879 A1 * 1/2016 Johannesson B64C 27/50 416/142
- 2017/0075360 A1 * 3/2017 Von Novak G05D 1/042
- 2017/0084181 A1 * 3/2017 Wilson G08G 5/0069

* cited by examiner

Primary Examiner — Robert M Spear

Assistant Examiner — Marissa J Cash

(74) *Attorney, Agent, or Firm* — Na Xu; IPro, PLLC

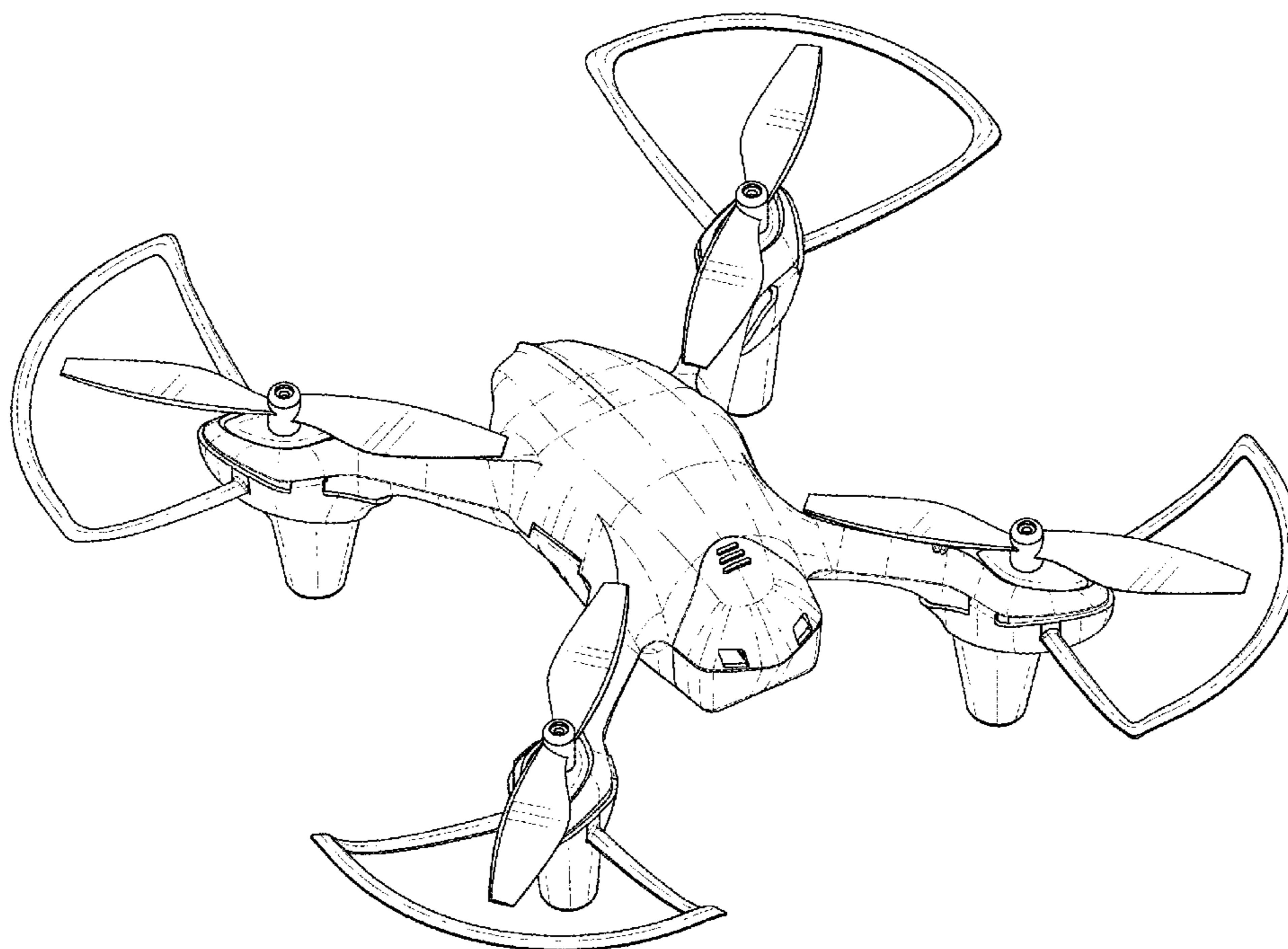
(57) **CLAIM**

The ornamental design for a quadcopter model drone, as shown and described.

DESCRIPTION

FIG. 1 is a back perspective view of a quadcopter model drone embodying the new design;
 FIG. 2 is a front perspective view thereof;
 FIG. 3 is a front view thereof;
 FIG. 4 is a back view thereof;
 FIG. 5 is a right side view thereof;
 FIG. 6 is a left side view thereof;
 FIG. 7 is a top view thereof; and,
 FIG. 8 is a bottom view thereof.

1 Claim, 6 Drawing Sheets



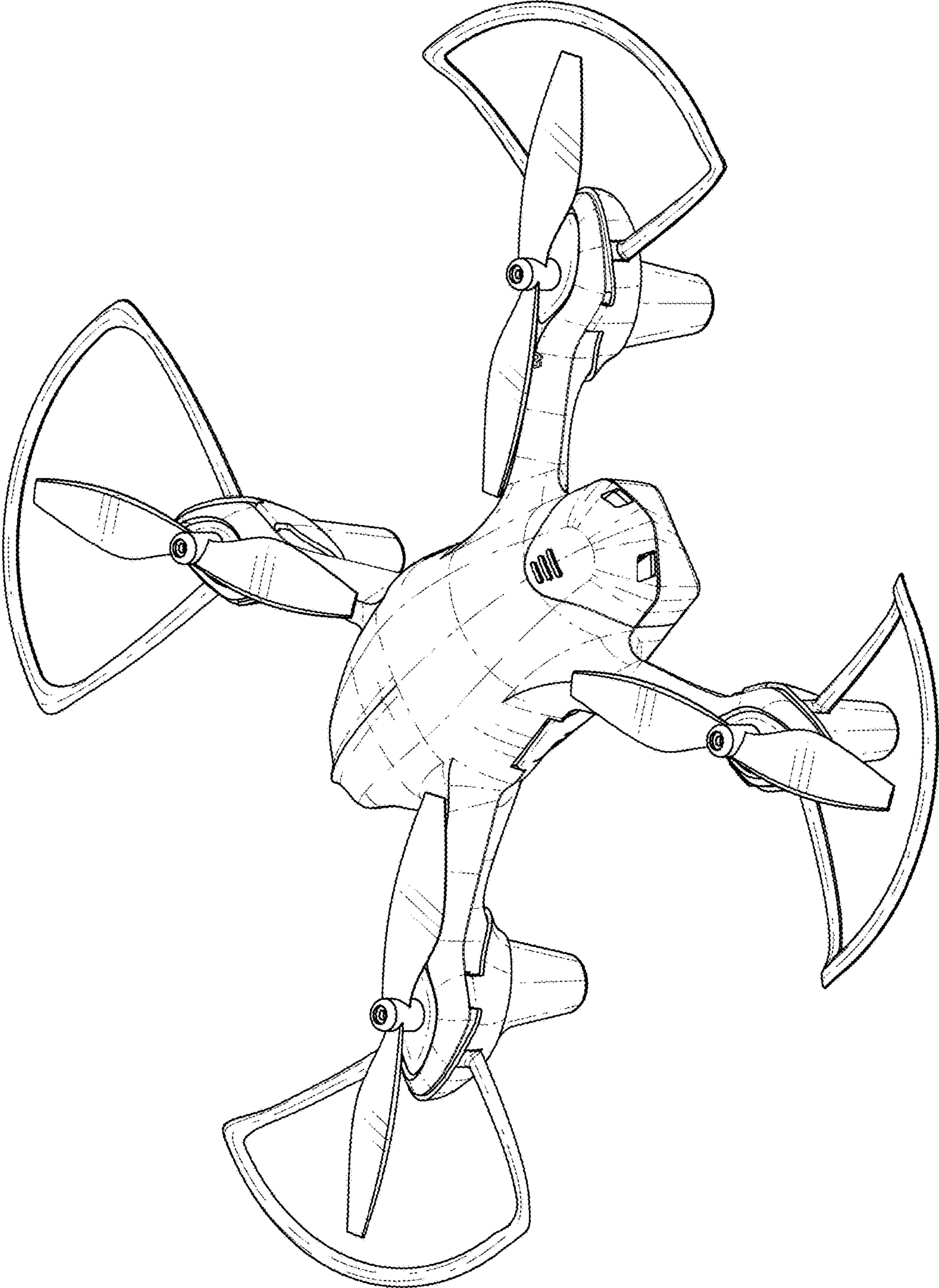


FIG. 1

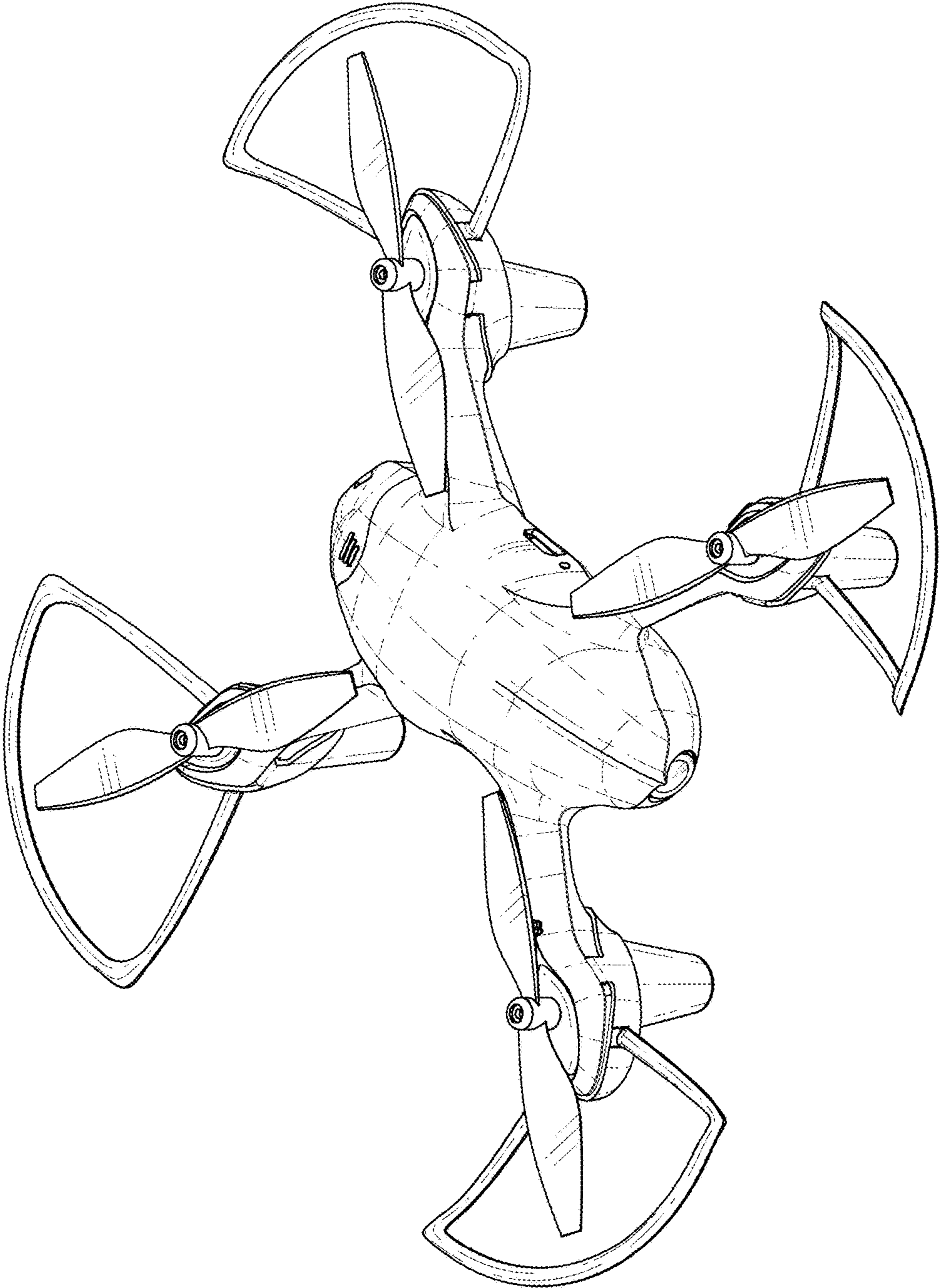


FIG. 2

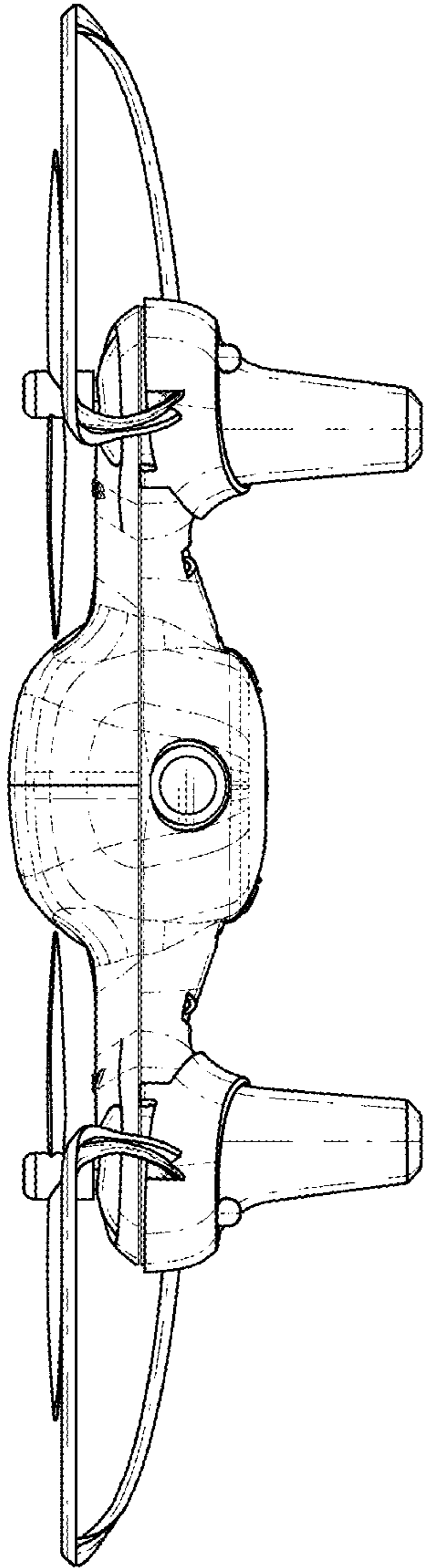


FIG. 3

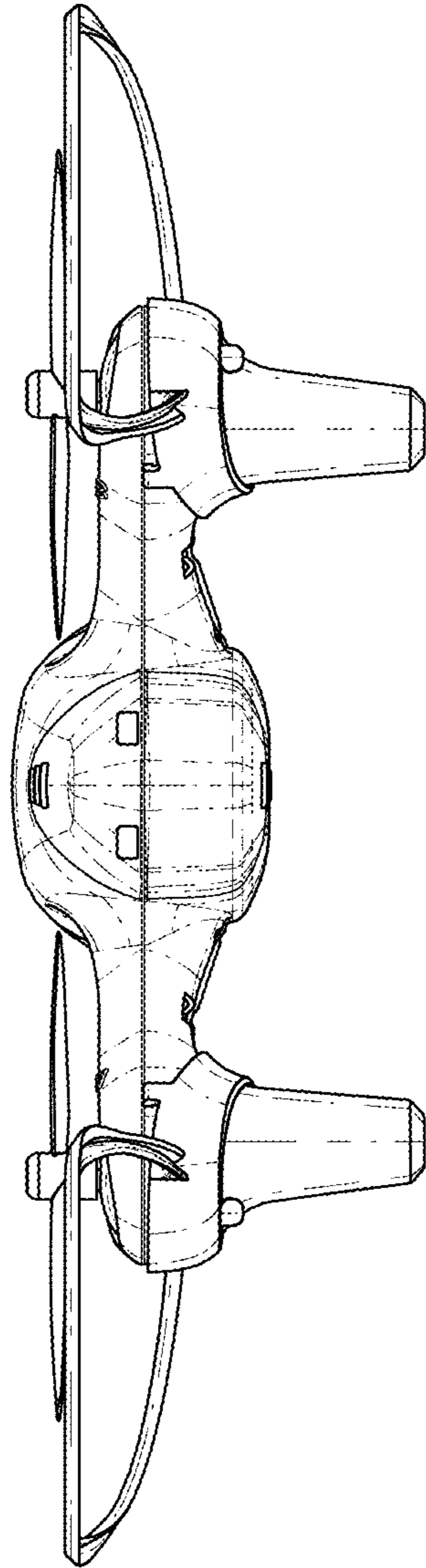


FIG. 4

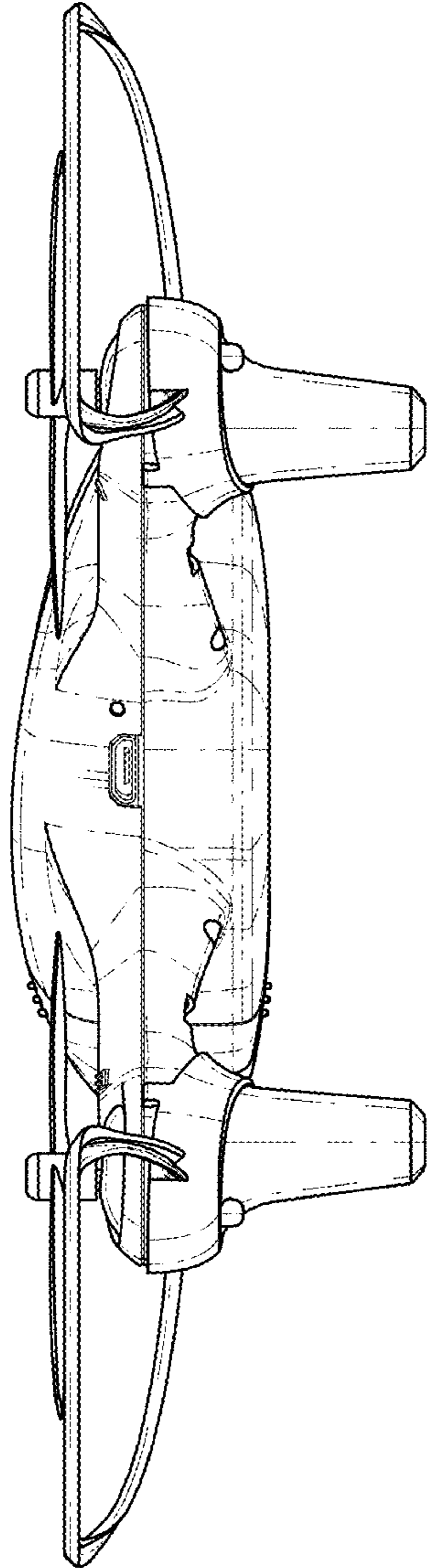


FIG. 5

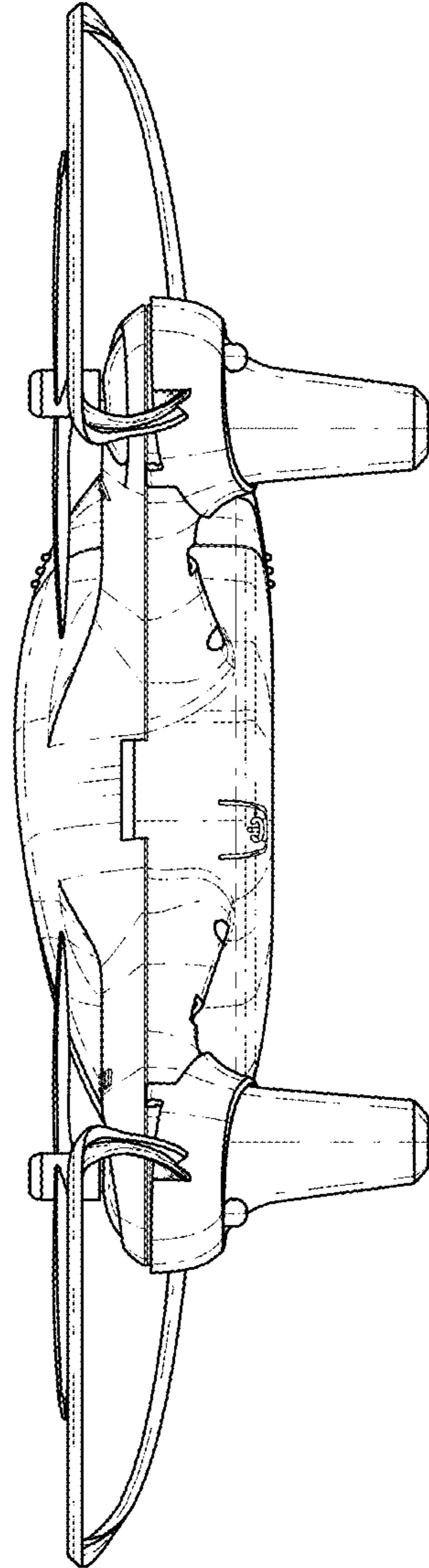


FIG. 6

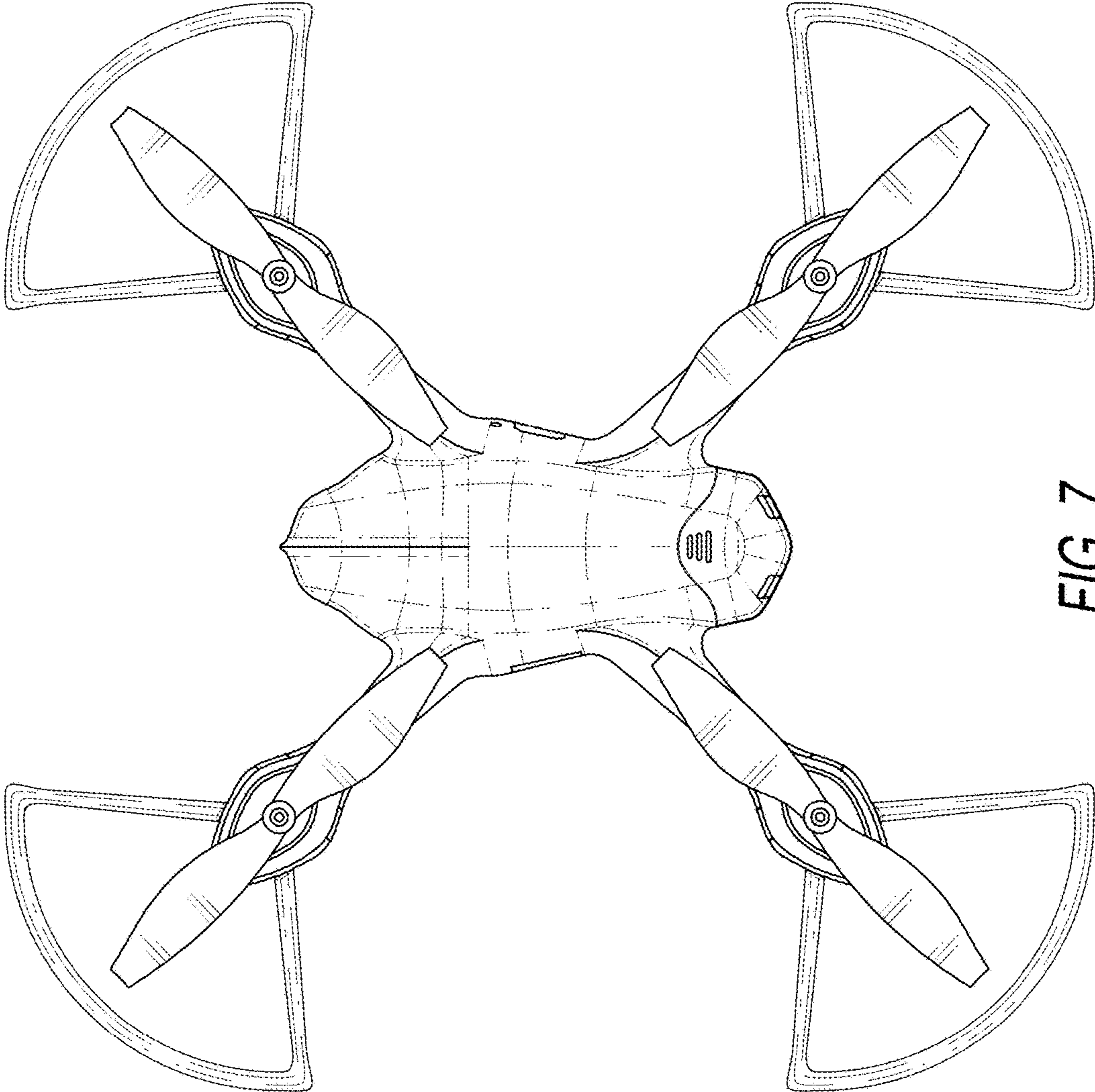


FIG. 7

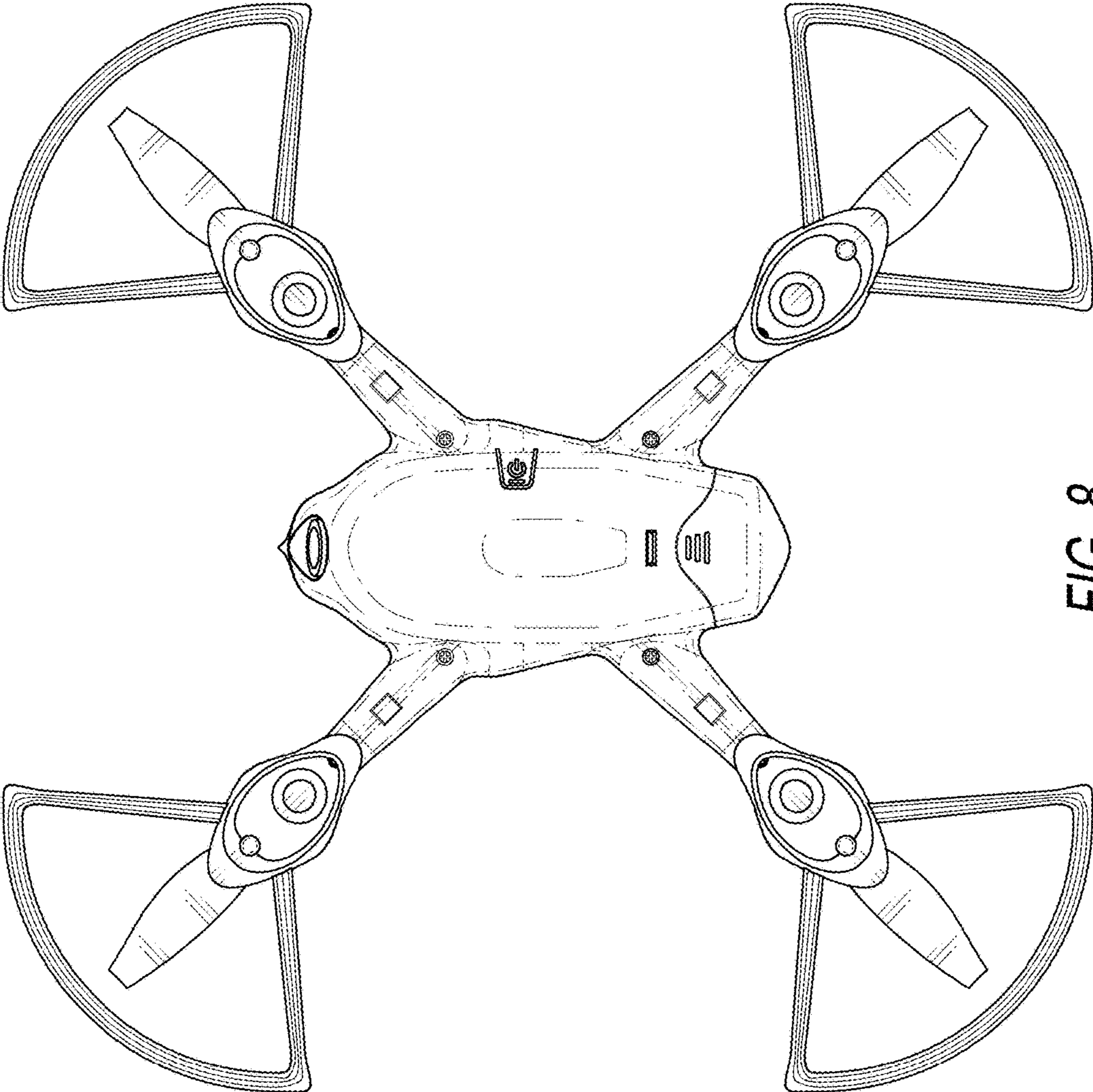


FIG. 8