



US00D793480S

(12) **United States Design Patent** (10) **Patent No.:** **US D793,480 S**
Chen (45) **Date of Patent:** **** Aug. 1, 2017**

- (54) **DRIFTING KART**
- (71) Applicant: **RAZOR USA LLC**, Cerritos, CA (US)
- (72) Inventor: **Robert (Wei-Pin) Chen**, San Marino, CA (US)
- (73) Assignee: **RAZOR USA LLC**, Cerritos, CA (US)
- (**) Term: **15 Years**
- (21) Appl. No.: **29/583,432**
- (22) Filed: **Nov. 4, 2016**

D190,024 S 4/1961 Rouse
 3,125,177 A 3/1964 Paller
 3,533,484 A 10/1970 Wood
 (Continued)

FOREIGN PATENT DOCUMENTS

CN 2936826 8/2007
 CN 200977859 11/2007

OTHER PUBLICATIONS

Aamoth, Doug, "Razor Builds the Ultimate Drifting Go-Kart: Why Must I Always Be Over the Weight Limit for Everything Good in This World?," Jul. 11, 2013, retrieved on Aug. 6, 2016, <http://techland.time.com/2013/07/11/razor-builds-the-ultimate-drifting-go-kart-why-must-i-always-be-over-the-weight-limit-for-everything-good-in-this-world/>, in 2 pages.

(Continued)

Primary Examiner — Cynthia M Chin

(74) *Attorney, Agent, or Firm* — Knobbe, Martens, Olson & Bear, LLP

(57) **CLAIM**

The ornamental design for a drifting kart, as shown and described.

DESCRIPTION

FIG. 1 is a perspective view of a drifting kart which embodies my design.
 FIG. 2 is a different perspective view of the drifting kart of FIG. 1.
 FIG. 3 is a top view of the drifting kart of FIG. 1.
 FIG. 4 is a left side view of the drifting kart of FIG. 1.
 FIG. 5 is a right side view of the drifting kart of FIG. 1.
 FIG. 6 is a front view of the drifting kart of FIG. 1; and,
 FIG. 7 is a rear view of the drifting kart of FIG. 1.
 Broken lines are used to illustrate features of the drifting kart which form no part of the claimed design.
 The evenly broken lines are used to illustrate portions of the drifting kart that form no part of the claimed design.

1 Claim, 6 Drawing Sheets

Related U.S. Application Data

- (63) Continuation of application No. 29/533,679, filed on Jul. 21, 2015, now Pat. No. Des. 771,196, which is a continuation of application No. 29/492,872, filed on Jun. 3, 2014, now abandoned.

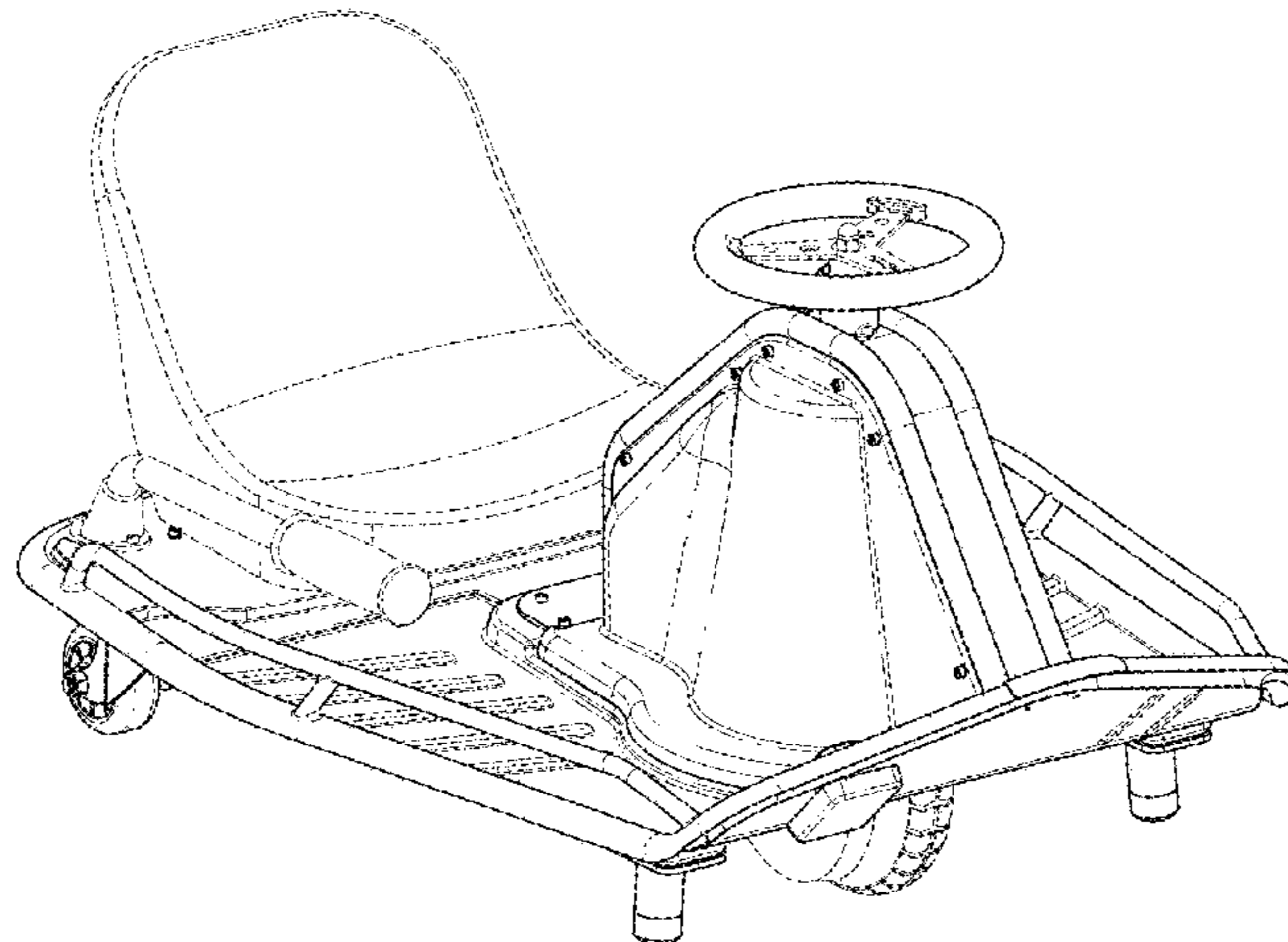
- (51) **LOC (10) Cl.** **21-01**
- (52) **U.S. Cl.**
USPC **D21/424**

- (58) **Field of Classification Search**
USPC D21/419, 423, 424, 425, 426, 427, 428;
280/87.01, 87.021, 218, 224, 225, 232,
280/233, 242.1
CPC A63G 13/00; A63G 13/06; A63G 13/10;
A63G 15/00; A63G 15/02; A63G 15/04;
B62B 7/00; B62B 7/002; B62B 7/004;
B62B 7/006; B62B 7/008; B62B 7/02;
B62B 7/04; B62B 7/042; B62B 7/044;
B62B 7/06; B62B 7/12; B62B 7/126;
B62B 7/14; B62B 7/142; B62B 7/145;
B62B 7/147; B62B 9/00; B62B 9/28
See application file for complete search history.

(56) **References Cited**

U.S. PATENT DOCUMENTS

3,062,559 A 6/1959 Hewitt
 D189,614 S 1/1961 Beale



(56)

References Cited

U.S. PATENT DOCUMENTS

D222,283 S 10/1971 Reeves
 3,799,283 A 3/1974 Freber
 3,938,608 A 2/1976 Folco-Zambelli
 3,960,392 A 6/1976 Read
 D243,627 S 3/1977 Clower
 D246,198 S 10/1977 Rose
 D249,496 S 9/1978 Morgan
 D252,714 S 8/1979 Tidwell
 4,281,844 A 8/1981 Jackman et al.
 4,359,231 A 11/1982 Mulcahy
 4,403,673 A 9/1983 Ball
 D276,058 S 10/1984 Rogers
 D280,916 S 10/1985 Castle
 4,572,535 A 2/1986 Stewart
 D290,451 S 6/1987 Engum
 4,750,578 A 6/1988 Brandenfels
 4,826,190 A 5/1989 Hartmann
 4,898,508 A 2/1990 Hayata
 4,915,075 A 4/1990 Brown
 4,993,733 A 2/1991 Eilers
 D320,420 S 10/1991 Dupont
 D320,586 S 10/1991 Tellinghuisen
 D332,765 S 1/1993 Tellinghuisen
 D332,977 S 2/1993 Huffman et al.
 5,257,671 A 11/1993 Watkins
 5,265,690 A 11/1993 Amundsen et al.
 5,479,998 A 1/1996 Ishikawa
 5,494,126 A 2/1996 Meeker
 D369,130 S 4/1996 Cummings
 D378,226 S 2/1997 Sundqvist
 5,628,379 A 5/1997 Watkins
 5,826,670 A 10/1998 Nan
 D408,869 S 4/1999 Patmont
 5,904,218 A 5/1999 Watkins
 6,047,786 A 4/2000 Stevenson et al.
 D440,607 S 4/2001 Mahlow
 6,276,480 B1 8/2001 Aregger
 D460,723 S 7/2002 Smit
 D469,819 S 2/2003 Nicolle et al.
 D483,420 S 12/2003 Delong et al.
 D488,194 S 4/2004 Fox et al.
 6,749,039 B1 6/2004 Uphaus
 6,766,871 B2 7/2004 Sawyer
 D512,467 S 12/2005 Hadley et al.

7,117,967 B2 10/2006 Kidd
 D562,914 S 2/2008 Oveson et al.
 D574,297 S 8/2008 Carl
 D575,675 S 8/2008 Williams et al.
 D582,992 S 12/2008 Alais
 7,552,934 B2 6/2009 Lee et al.
 D608,250 S 1/2010 Van De Vrie
 D611,106 S 3/2010 Van Beek
 7,712,558 B2 5/2010 Helson et al.
 7,823,675 B2 11/2010 Kermani
 D637,116 S * 5/2011 Kettler D12/107
 8,091,658 B2 1/2012 Peng
 8,356,686 B2 1/2013 Kermani
 8,365,850 B2 2/2013 Gal et al.
 D682,746 S 5/2013 Doherty et al.
 D692,505 S 10/2013 Jiang
 D692,506 S 10/2013 Jiang
 8,875,831 B2 11/2014 Kermani
 D737,534 S * 8/2015 Kinberger D34/12
 9,139,248 B2 9/2015 Xiao
 D761,700 S * 7/2016 Kermani D21/426
 D764,600 S * 8/2016 Desberg D21/426
 D764,601 S * 8/2016 Desberg D21/426
 D766,780 S 9/2016 Fusco
 D771,196 S 11/2016 Chen
 9,499,220 B2 11/2016 Kermani
 D774,602 S * 12/2016 Desberg D21/426
 D774,981 S 12/2016 Chen
 D775,282 S 12/2016 Williams et al.
 D778,369 S * 2/2017 Douma D21/424
 D783,726 S * 4/2017 Williams D21/426
 2004/0035627 A1 2/2004 Richey et al.
 2004/0040769 A1 3/2004 Richey et al.
 2004/0199311 A1 10/2004 Aguilar et al.
 2007/0045022 A1 3/2007 Greig et al.
 2008/0196951 A1 8/2008 Gal et al.
 2009/0065272 A1 3/2009 Martin et al.
 2010/0032223 A1 2/2010 Kermani
 2012/0133111 A1 5/2012 Schmutzer et al.

OTHER PUBLICATIONS

OTL Elektrokart, "Storm Series—Competition" Datasheet, Jun. 14, 2014, retrieved on Aug. 6, 2016, <https://www.kart1.com/pdf/competition.pdf>, in 3 pages.

* cited by examiner

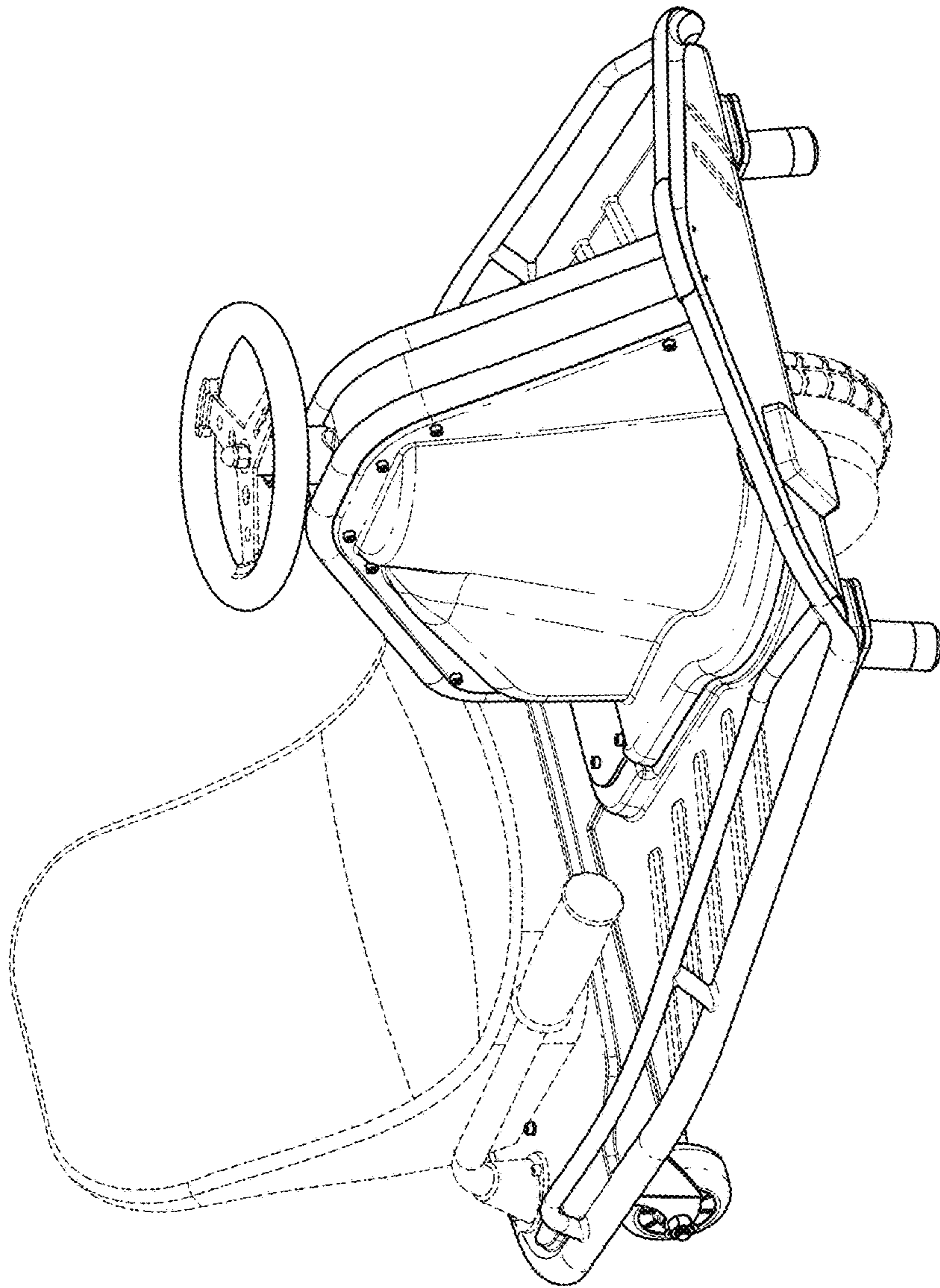


FIG. 1

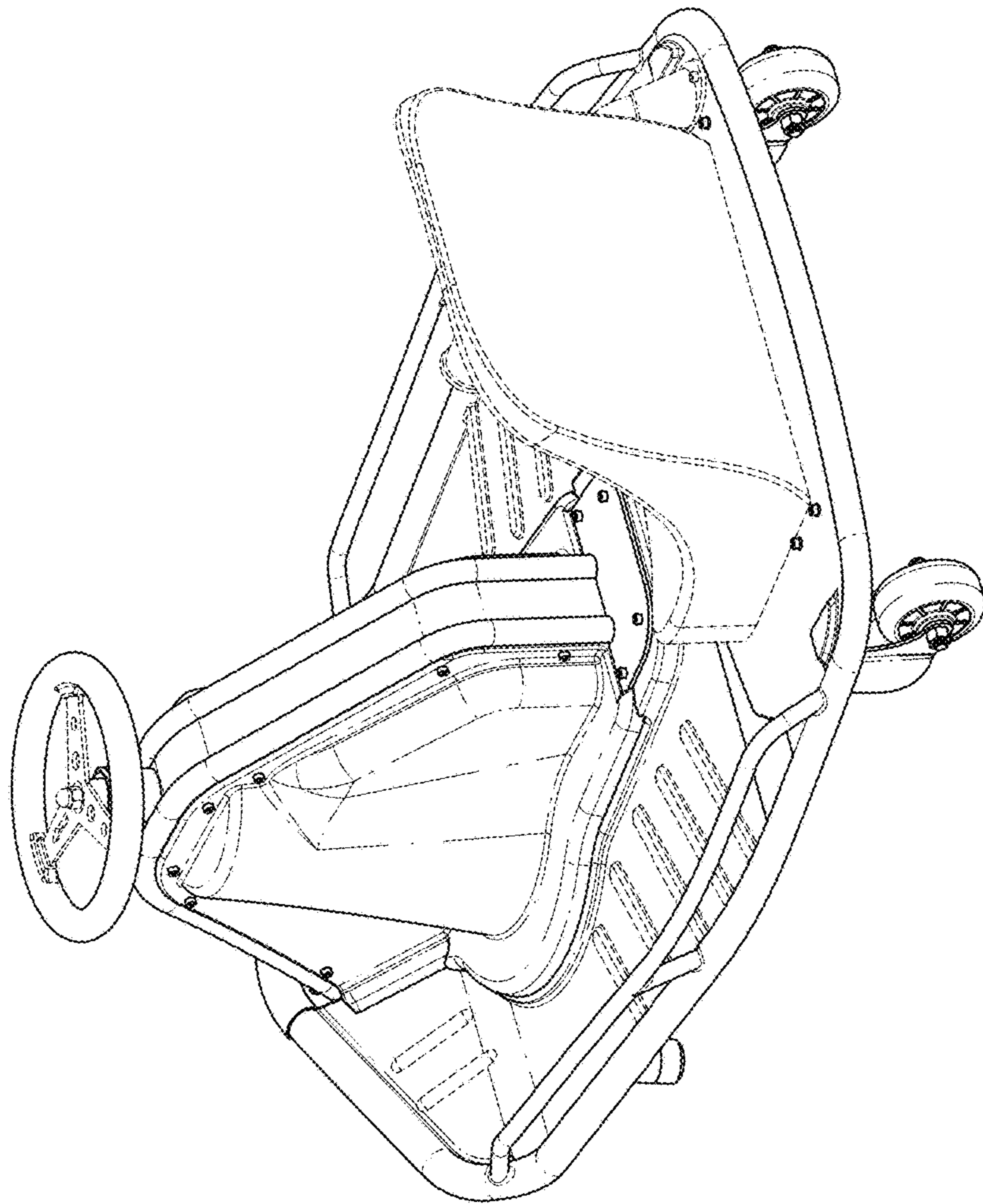


FIG. 2

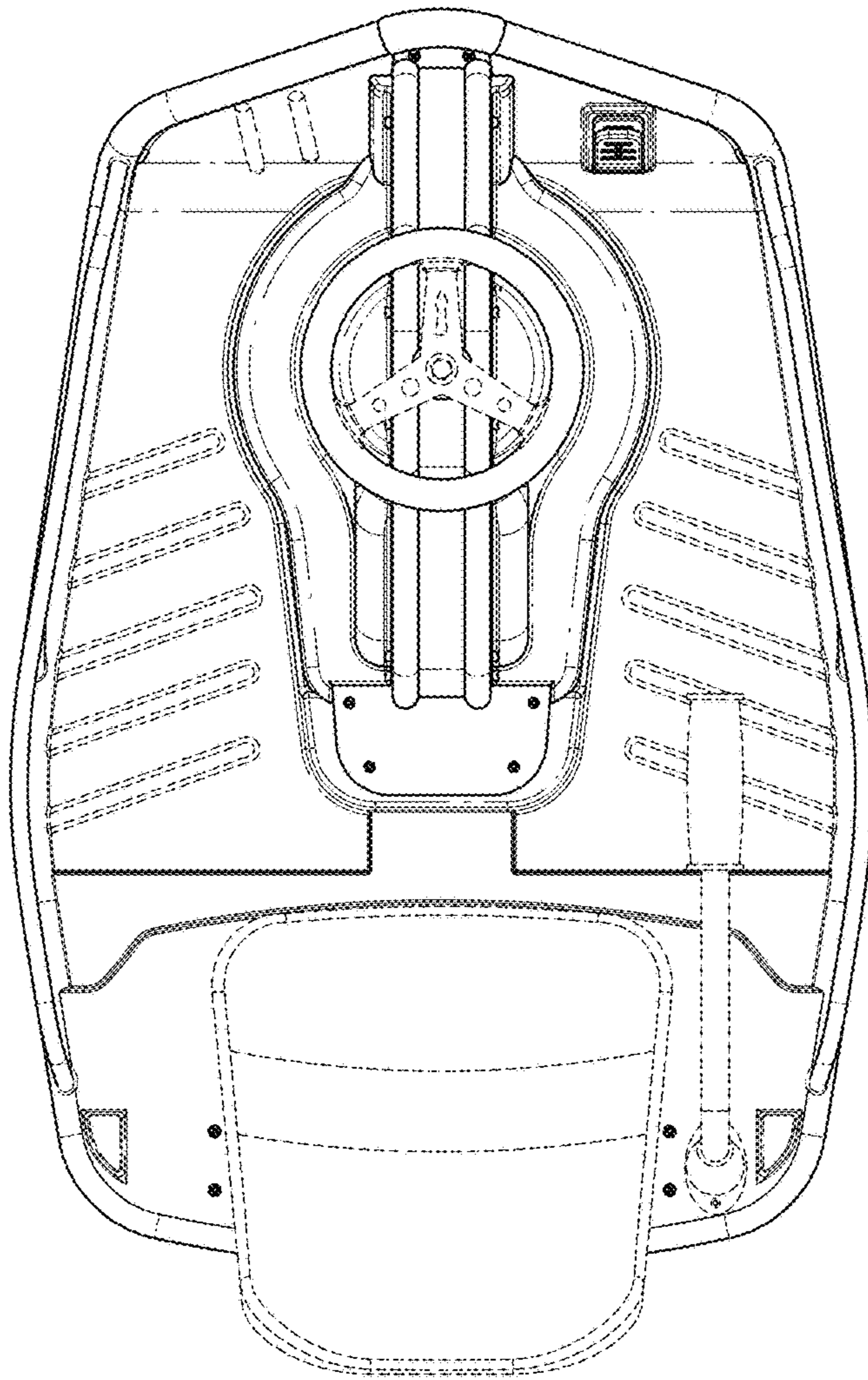


FIG. 3

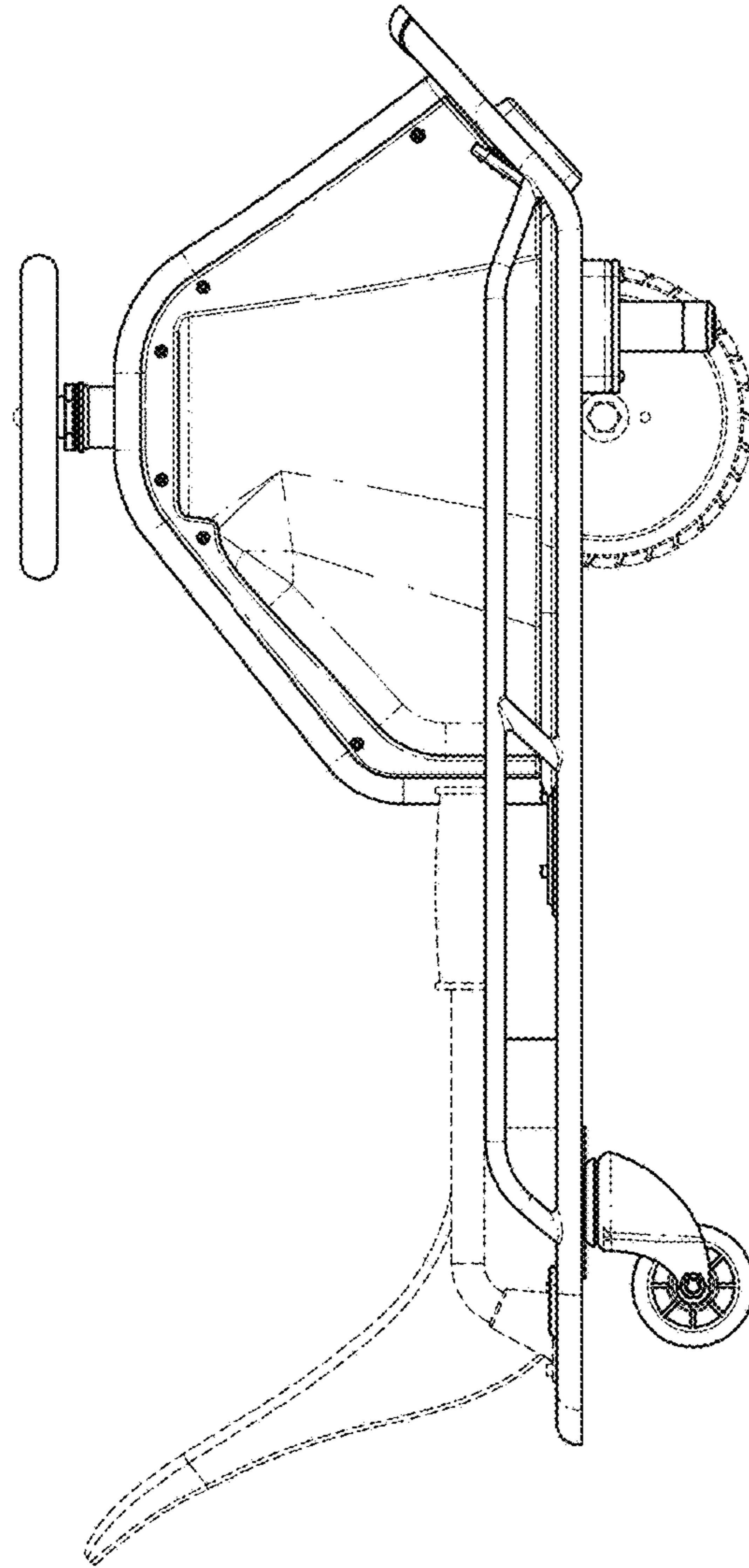


FIG. 4

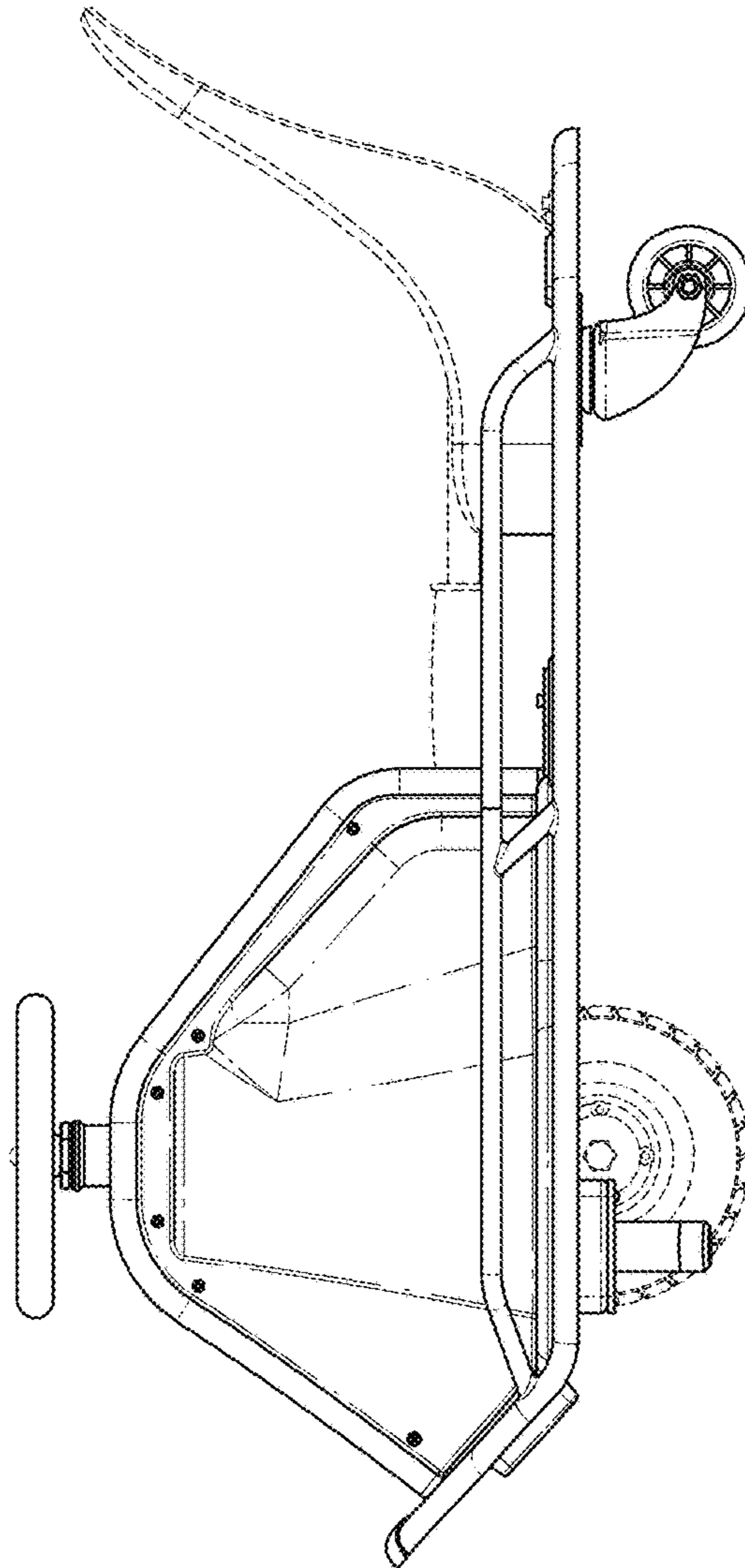


FIG. 5

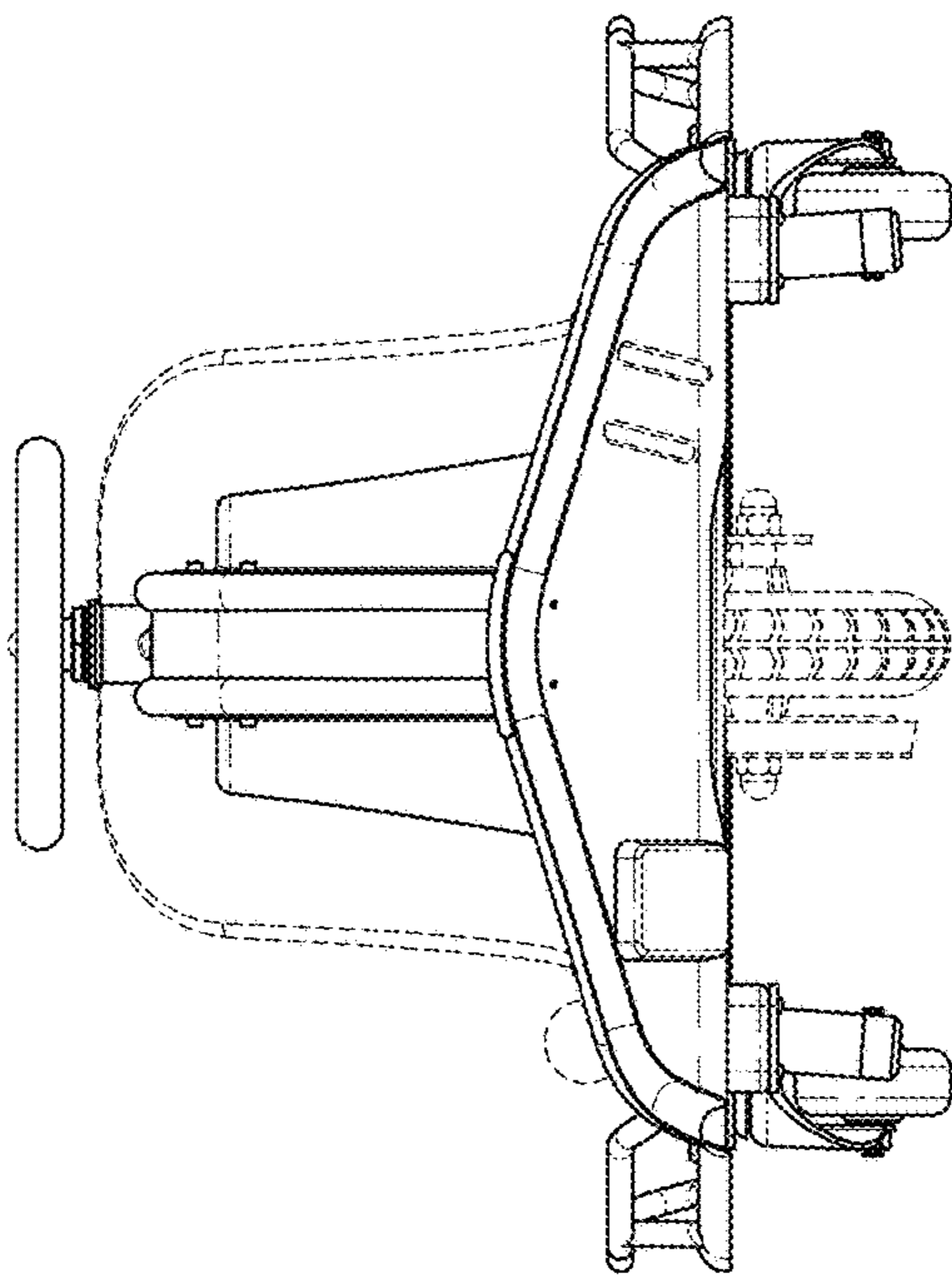


FIG. 6

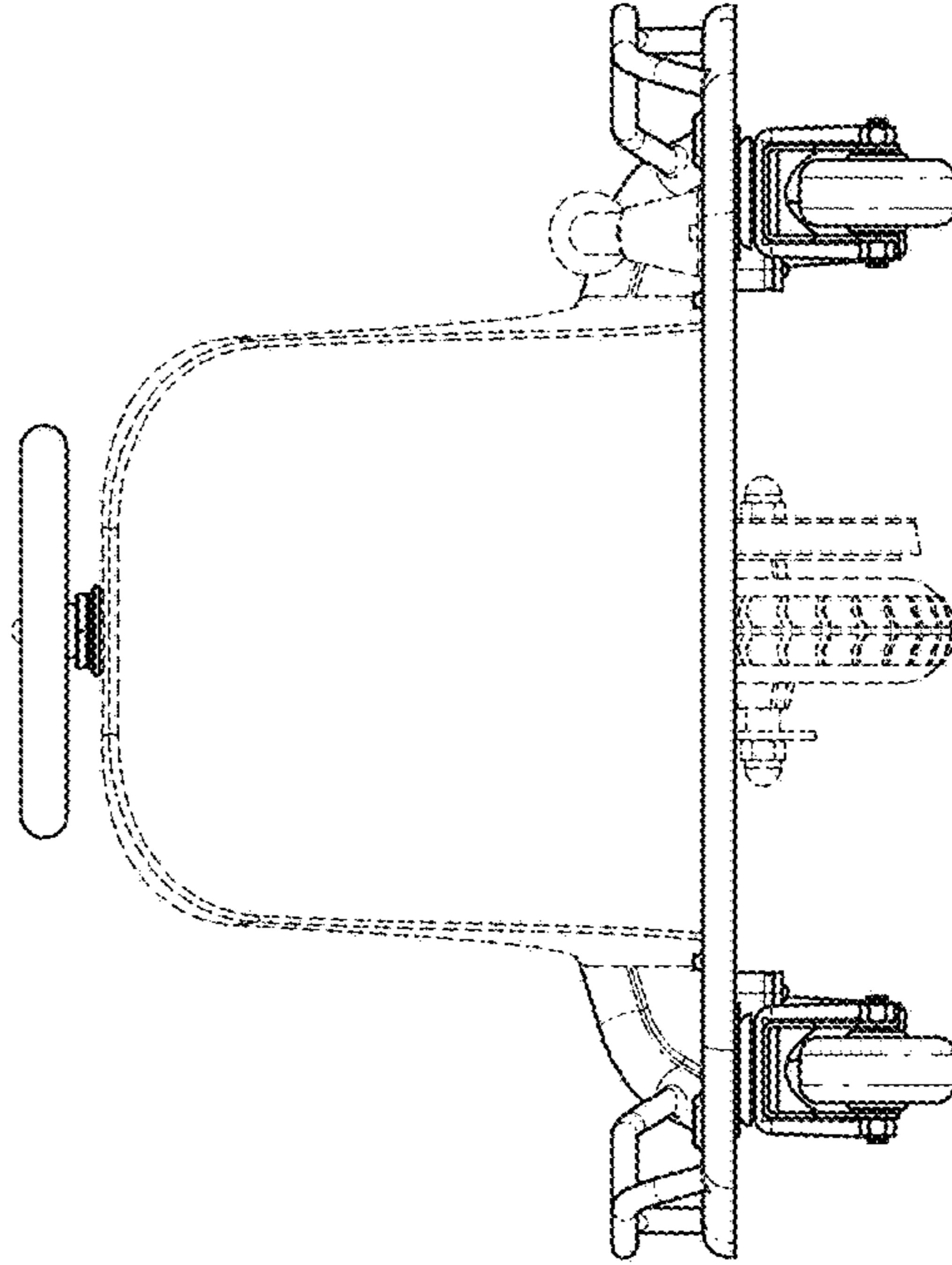


FIG. 7