



US00D793477S

(12) **United States Design Patent** (10) **Patent No.:** **US D793,477 S**  
**Morel** (45) **Date of Patent:** **\*\* Aug. 1, 2017**

(54) **CLIPBOARD**  
(71) Applicant: **Jose A. Morel**, Providence, RI (US)  
(72) Inventor: **Jose A. Morel**, Providence, RI (US)  
(\*\*) Term: **15 Years**  
(21) Appl. No.: **29/579,298**  
(22) Filed: **Sep. 29, 2016**  
(51) **LOC (10) Cl.** ..... **19-02**  
(52) **U.S. Cl.**  
USPC ..... **D19/88**  
(58) **Field of Classification Search**  
USPC ..... D19/86, 88, 91, 135, 75-85  
CPC .. B42F 9/00; B42F 9/001; B42F 9/002; B42F  
9/004; B42F 9/005; B42F 9/007; B42F  
9/008; B42F 17/30; B43L 3/00; B43L  
5/02; B62B 3/1428  
See application file for complete search history.

3,106,994 A \* 10/1963 Scott ..... F16B 5/0291  
403/231  
3,756,550 A \* 9/1973 Kollitz ..... B42F 1/006  
24/303  
4,243,249 A \* 1/1981 Goss ..... B42F 9/001  
108/43  
D269,626 S \* 7/1983 Draddy ..... D19/26  
D271,699 S \* 12/1983 Draddy ..... D19/26  
D272,917 S \* 3/1984 Micucci ..... D19/78  
D283,141 S \* 3/1986 Koves  
D284,481 S \* 7/1986 Draddy ..... D19/26  
4,628,572 A \* 12/1986 Chang ..... B42F 1/00  
24/67 R  
4,763,389 A \* 8/1988 Chang ..... B42F 1/006  
24/67 R  
D303,401 S \* 9/1989 Cross ..... D19/88  
D309,280 S \* 7/1990 Balfanz-Lee ..... D11/201  
D318,881 S \* 8/1991 Chase ..... D19/84  
D321,012 S \* 10/1991 Wright ..... D19/86

(Continued)

*Primary Examiner* — Elizabeth Albert  
(74) *Attorney, Agent, or Firm* — Buchanan Law, LLC;  
Karen A. Buchanan

(56) **References Cited**  
U.S. PATENT DOCUMENTS

1,566,018 A \* 12/1925 Josephy ..... B43L 5/02  
40/647  
2,040,374 A \* 5/1936 Grimes ..... E04B 1/6137  
16/264  
D140,921 S \* 4/1945 Vermann ..... D19/20  
2,528,695 A \* 11/1950 King ..... B42F 9/00  
281/45  
D161,864 S \* 2/1951 O'Donnell, Jr. .... D19/87  
D162,797 S \* 4/1951 Dubinetz et al. .... D19/78  
2,594,955 A \* 4/1952 Markowitz ..... B43K 23/001  
131/257  
2,979,554 A \* 4/1961 Maitland ..... H05K 7/12  
174/138 G  
2,996,775 A \* 8/1961 Vernon ..... B42D 5/006  
24/510  
3,048,424 A \* 8/1962 Mitchell, Jr. .... B42F 9/001  
108/26

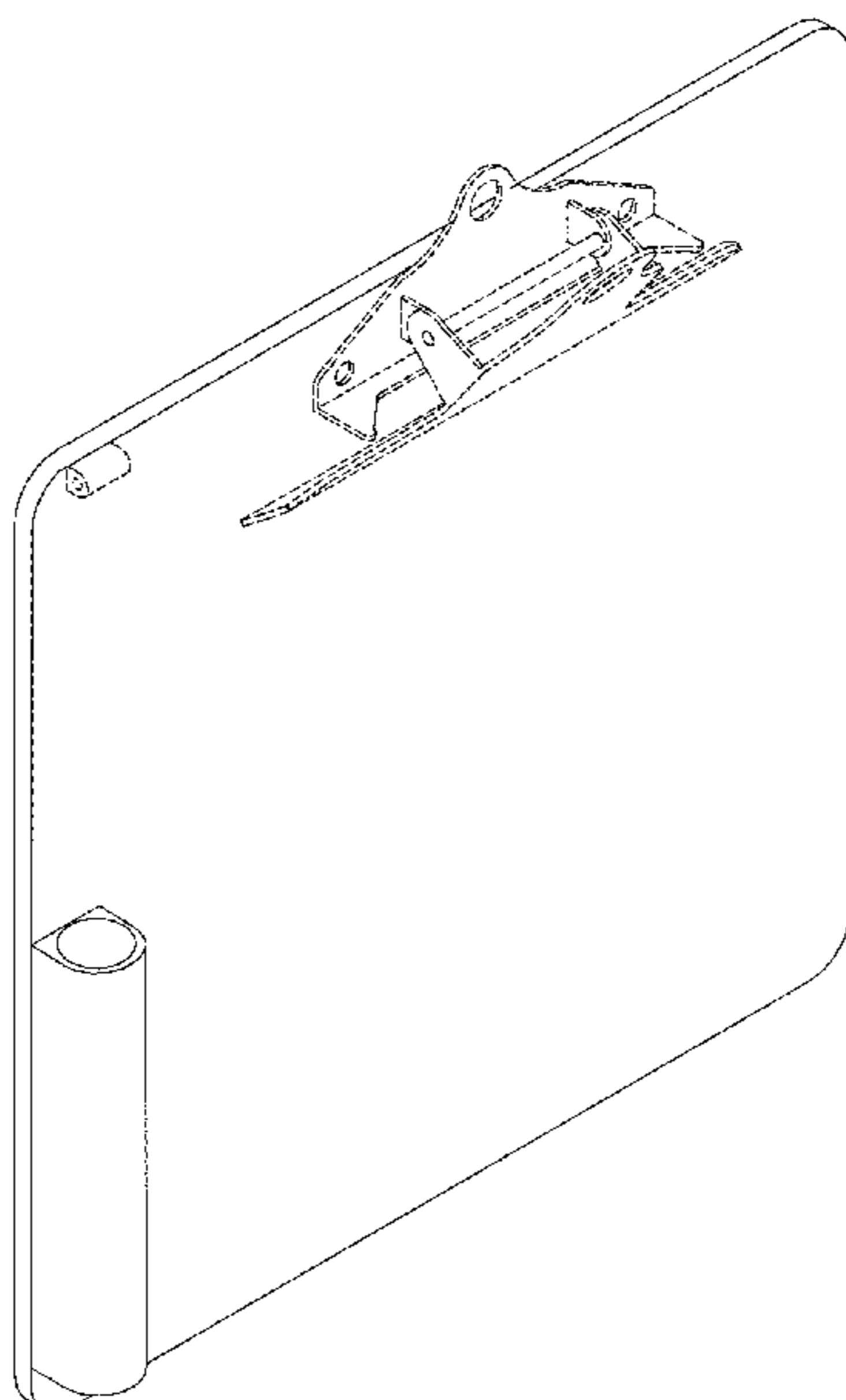
(57) **CLAIM**

The ornamental design for a clipboard, as shown and described.

**DESCRIPTION**

FIG. 1 is a top perspective view of a clipboard, showing my new design;  
FIG. 2 is a bottom perspective view thereof;  
FIG. 3 is a top view thereof;  
FIG. 4 is a front view thereof; and  
FIG. 5 is a back view thereof; and,  
FIG. 6 is a side view thereof.  
The broken lines in the figures illustrate environmental subject matter only and form no part of the claimed design.

**1 Claim, 4 Drawing Sheets**



(56)

**References Cited**

U.S. PATENT DOCUMENTS

5,154,330 A \* 10/1992 Haynes ..... B62B 3/1428  
211/45  
D331,076 S \* 11/1992 Montgomery ..... D19/88  
D346,622 S \* 5/1994 Miller ..... D19/78  
D359,987 S \* 7/1995 Yoshikawa ..... D19/86  
5,566,609 A \* 10/1996 Kirschner ..... B62B 3/1428  
108/42  
D400,925 S \* 11/1998 McKittrick ..... D19/88  
D404,996 S \* 2/1999 Ross ..... D8/382  
D410,951 S \* 6/1999 Schwarzwaelder ..... D19/135  
D411,861 S \* 7/1999 Bernstein ..... D19/78  
6,971,616 B1 \* 12/2005 Lake ..... B42F 9/001  
24/67.3  
D624,967 S \* 10/2010 Jour ..... D19/86  
D628,050 S \* 11/2010 Petersen ..... D8/356  
D666,674 S 9/2012 Moore et al.  
D691,032 S \* 10/2013 Chen ..... D8/396  
D711,466 S \* 8/2014 Huang ..... D19/88  
2002/0180205 A1 \* 12/2002 Anderson ..... B42F 9/005  
281/45  
2013/0341370 A1 \* 12/2013 Larson ..... B62B 3/1428  
224/411

\* cited by examiner

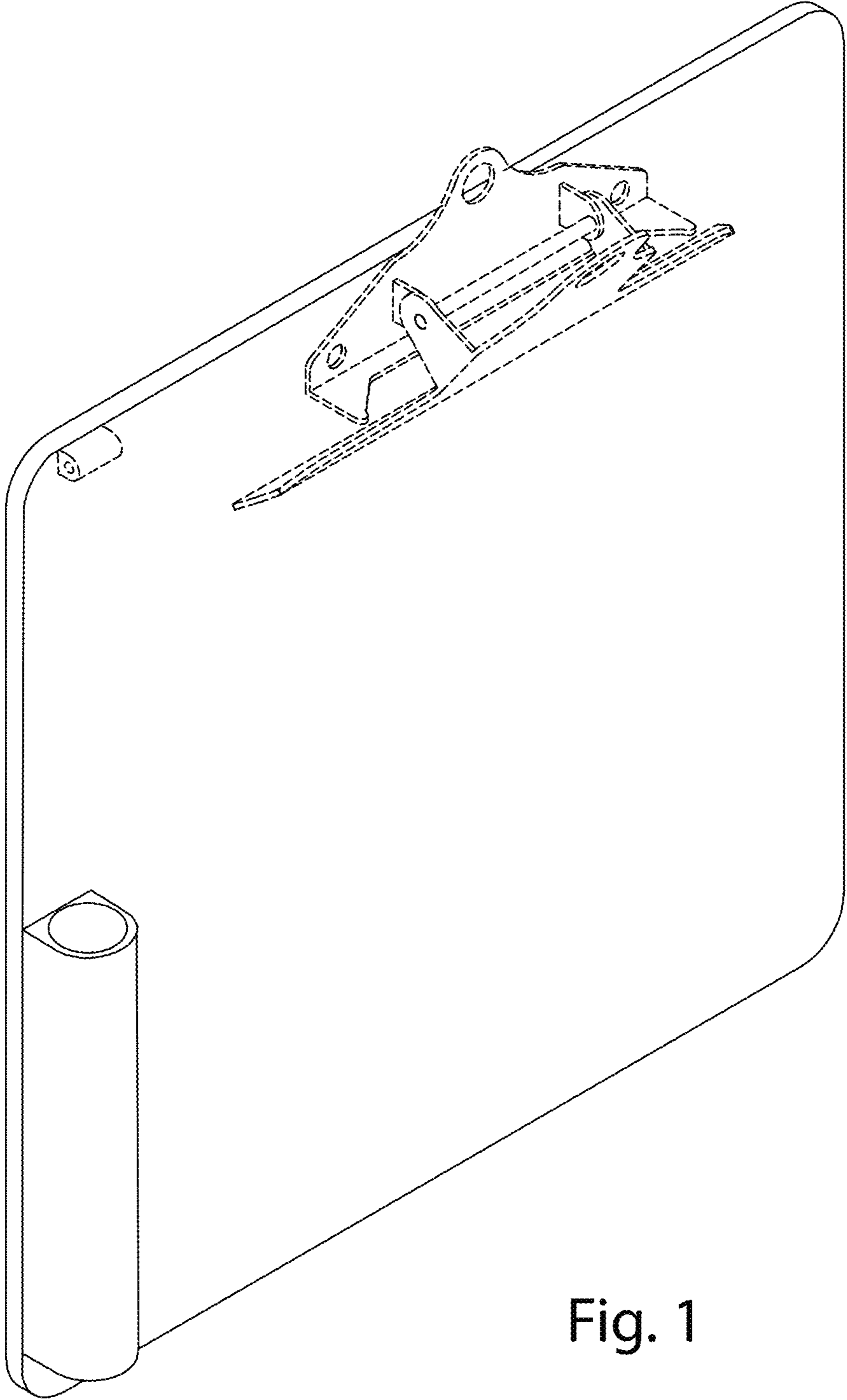


Fig. 1

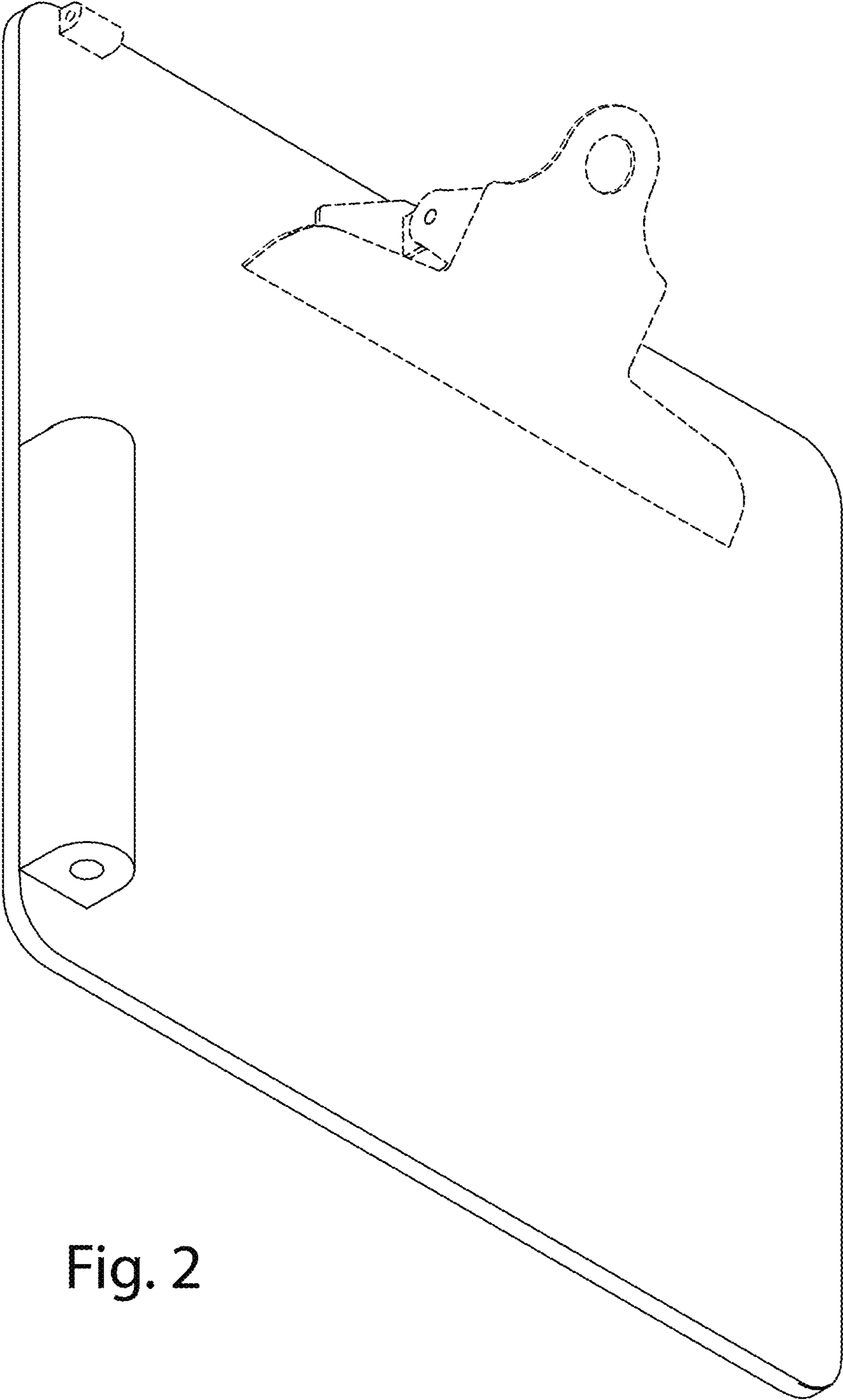


Fig. 2

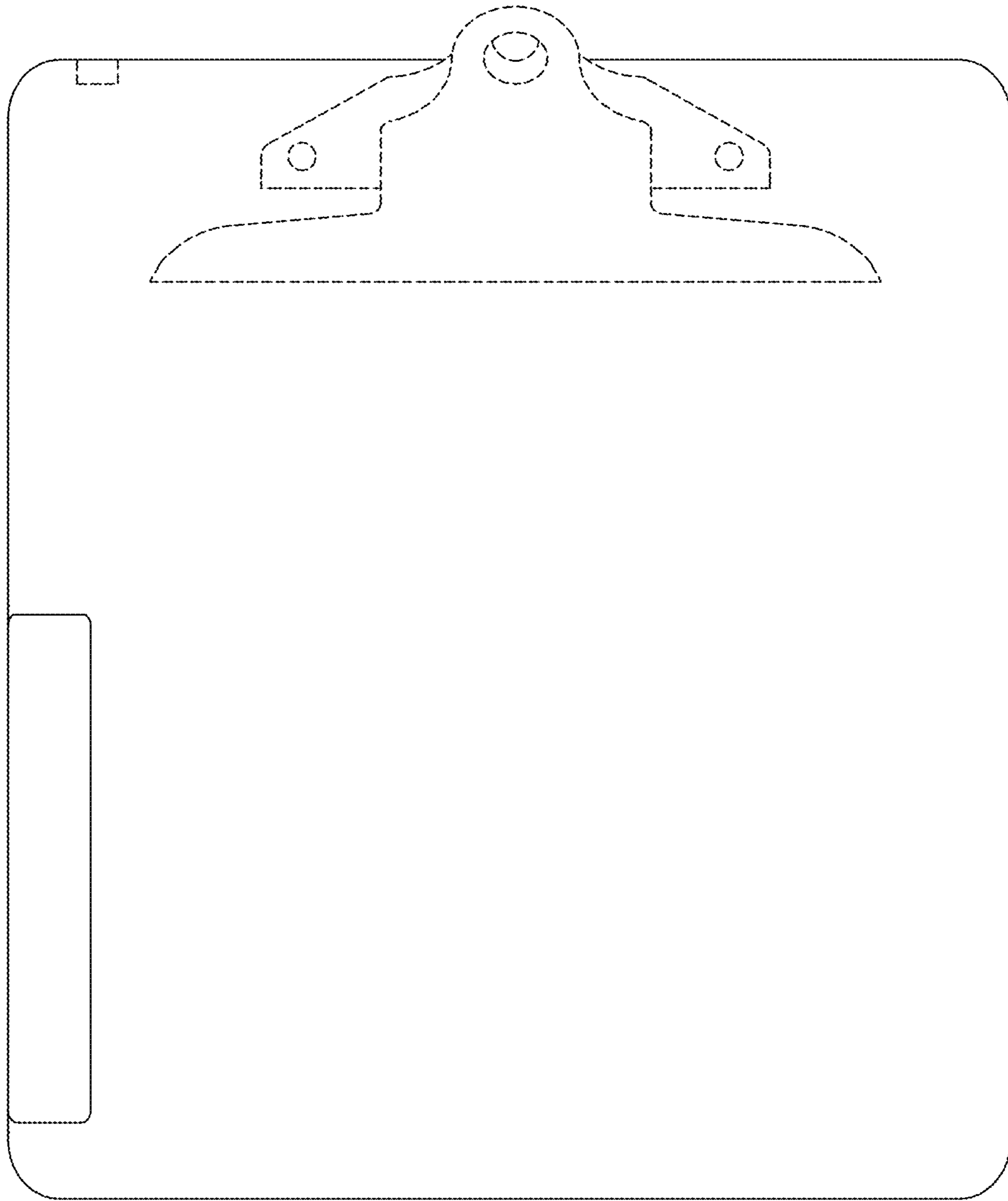


Fig. 3

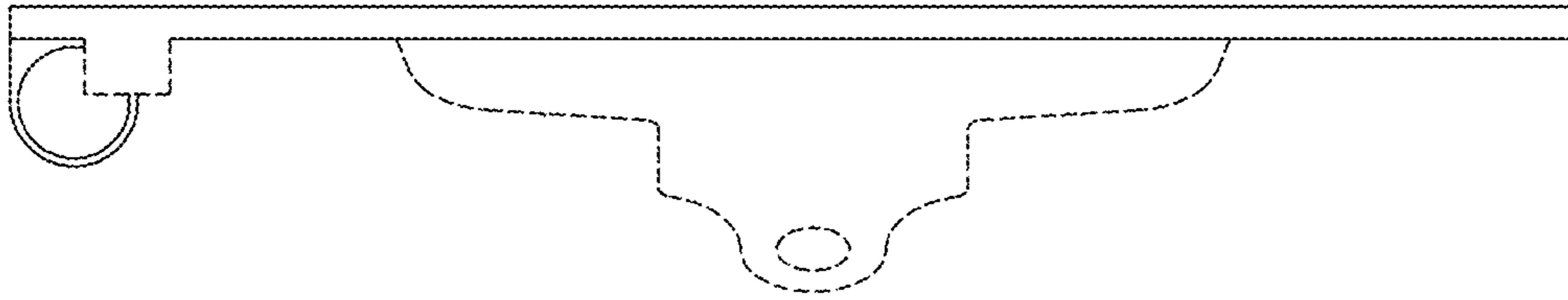


Fig. 4

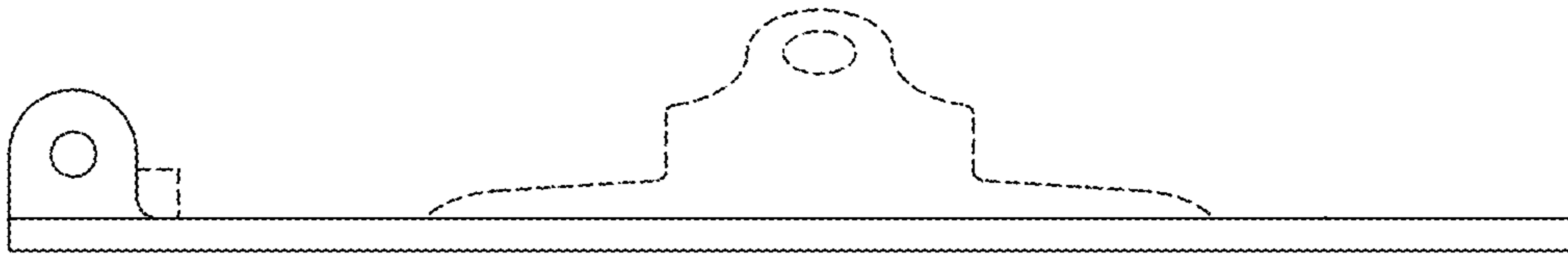


Fig. 5

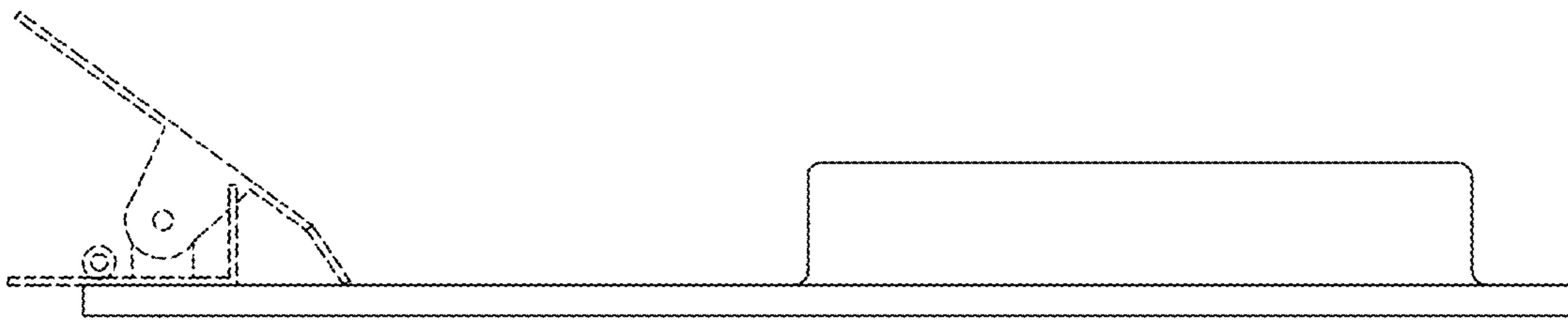


Fig. 6