



US00D793473S

(12) **United States Design Patent** (10) **Patent No.:** **US D793,473 S**
Kennedy et al. (45) **Date of Patent:** **** Aug. 1, 2017**

(54) **PRINT TAPE CARTRIDGE**
 (71) Applicant: **Abbott Laboratories**, Abbott Park, IL (US)
 (72) Inventors: **Michael J. Kennedy**, Los Gatos, CA (US); **Ajay Gupta**, Lake Villa, IL (US)
 (73) Assignee: **Abbott Laboratories**, Abbott Park, IL (US)
 (**) Term: **15 Years**
 (21) Appl. No.: **29/549,024**

5,469,319 A * 11/1995 Takeda G11B 23/08757
 242/346
 5,501,536 A * 3/1996 Kleve B41J 32/00
 400/208
 D372,269 S * 7/1996 Miyazaki 400/208
 5,618,119 A * 4/1997 Misu B41J 2/325
 400/208
 5,915,859 A * 6/1999 Kubota B41J 33/56
 400/202
 6,019,945 A 2/2000 Ohishi et al.
 6,027,266 A * 2/2000 Turner B41J 17/32
 400/208
 D423,566 S * 4/2000 Hosono D18/56
 D475,737 S * 6/2003 Nissim D18/12
 D509,531 S * 9/2005 Geserich D18/12
 (Continued)

(22) Filed: **Dec. 18, 2015**
 (51) **LOC (10) Cl.** **18-02**
 (52) **U.S. Cl.**
 USPC **D18/56**
 (58) **Field of Classification Search**
 USPC D18/12, 43, 56; 400/194, 195, 196, 207,
 400/208, 234, 235.1, 247; 360/132
 CPC . B41J 15/044; B41J 32/00; B41J 17/32; B41J
 33/52; B41J 33/56; B41J 35/36; G11B
 23/08757
 See application file for complete search history.

FOREIGN PATENT DOCUMENTS

EP 0867724 9/1998
 EP 1152244 11/2001
 EP 1680225 7/2006

Primary Examiner — Manpreet Matharu
Assistant Examiner — Suzanne Tisdell
 (74) *Attorney, Agent, or Firm* — Edward J. Baba;
 Bozicevic, Field & Francis LLP

(57) **CLAIM**

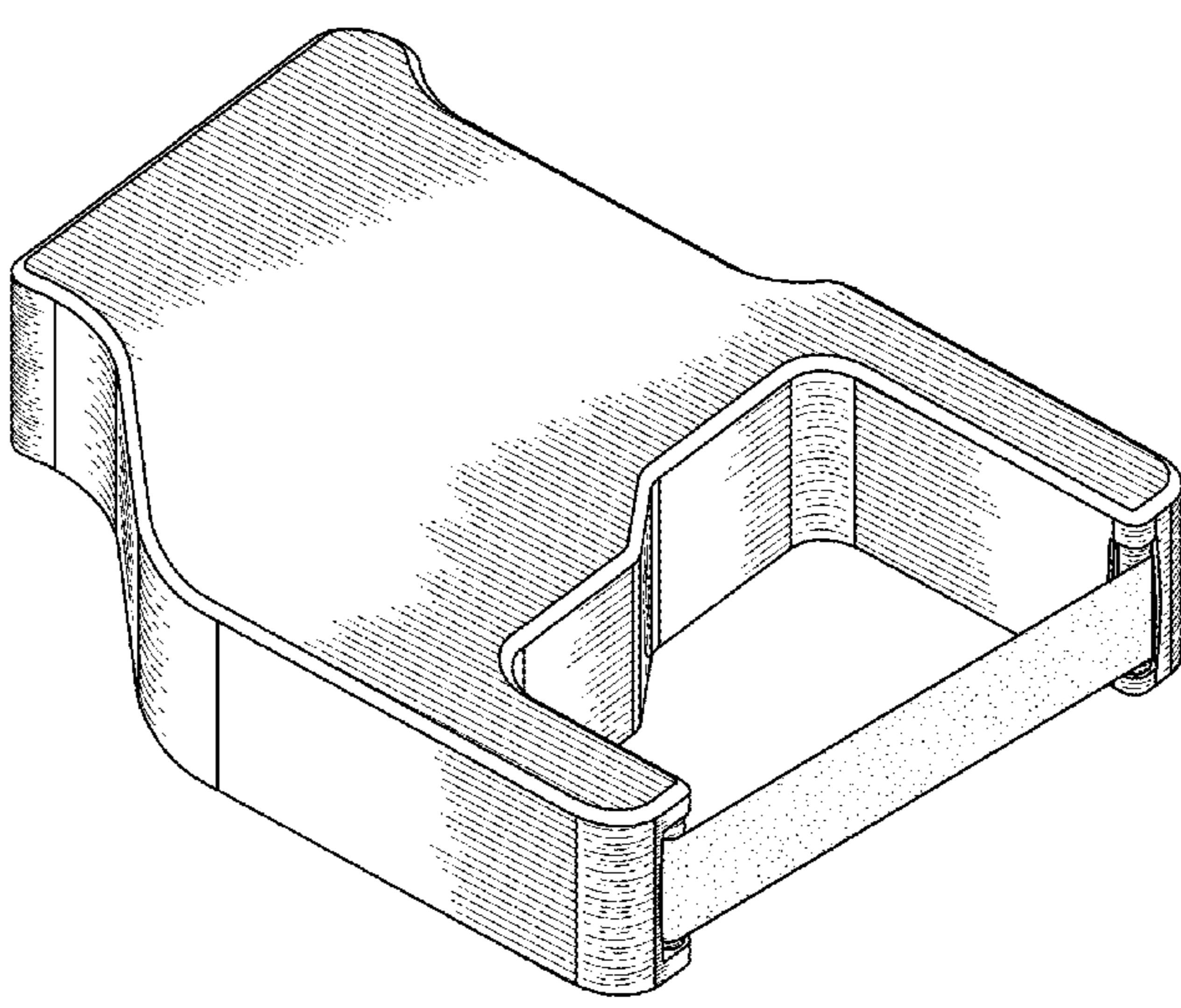
The ornamental design for print tape cartridge, as shown and described.

DESCRIPTION

FIG. 1 is a top perspective view of a print tape cartridge;
 FIG. 2 is a bottom perspective view of the print tape cartridge;
 FIG. 3 is a top view of the print tape cartridge;
 FIG. 4 is a bottom view of the print tape cartridge;
 FIG. 5 is a front view of the print tape cartridge;
 FIG. 6 is a back view of the print tape cartridge;
 FIG. 7 is a first side view of the print tape cartridge; and,
 FIG. 8 is a second side view of the print tape cartridge.

1 Claim, 5 Drawing Sheets

(56) **References Cited**
 U.S. PATENT DOCUMENTS
 4,859,097 A * 8/1989 Frerichs B41J 32/00
 400/208
 5,018,885 A * 5/1991 Uggetti B41J 33/52
 206/206
 5,030,022 A * 7/1991 Casey B41J 31/16
 400/194
 5,163,764 A * 11/1992 Falconieri B41J 32/00
 400/208
 5,224,784 A * 7/1993 Haftmann B41J 35/36
 400/208
 5,456,545 A * 10/1995 Sims B41J 35/36
 400/207



(56)

References Cited

U.S. PATENT DOCUMENTS

D521,550	S *	5/2006	Kato	D18/56
D523,470	S *	6/2006	Kato	D18/56
7,303,920	B2	12/2007	Stokes et al.	
D570,905	S *	6/2008	Yuen	347/86
7,448,487	B2	11/2008	Koike	
D593,595	S *	6/2009	Kubota	D18/12
D594,503	S *	6/2009	Sakano	D18/12
7,578,978	B2	8/2009	Justin et al.	
7,850,914	B2	12/2010	Veiner et al.	
7,854,892	B2	12/2010	Veiner et al.	
7,945,428	B2	5/2011	Fox et al.	
7,998,409	B2	8/2011	Veiner et al.	
D656,541	S *	3/2012	Ko	D18/56
8,161,831	B2	4/2012	Fukuma	
8,262,994	B2	9/2012	Hamada et al.	
8,333,123	B2	12/2012	Tatsutani et al.	
8,534,456	B2	9/2013	Kimura et al.	
8,623,657	B2	1/2014	Durack et al.	
8,698,644	B2	4/2014	Okubo	
8,772,738	B2	7/2014	Ozasa et al.	
8,848,094	B2	9/2014	Li	
8,865,072	B2	10/2014	Nagai et al.	
8,977,030	B2	3/2015	Yamada	
9,040,304	B2	5/2015	Durack et al.	
D733,796	S *	7/2015	Yamazaki	D18/56
9,091,803	B2	7/2015	Meng et al.	
9,157,925	B2	10/2015	Yamasaki et al.	
9,243,995	B2	1/2016	Fox et al.	
D763,350	S *	8/2016	Whittall	D18/56
2006/0233582	A1 *	10/2006	Horiuchi	B41J 15/044 400/208
2007/0172286	A1 *	7/2007	Pomfret	B41J 32/00 400/208
2007/0264071	A1 *	11/2007	Takahashi	B41J 15/044 400/208

* cited by examiner

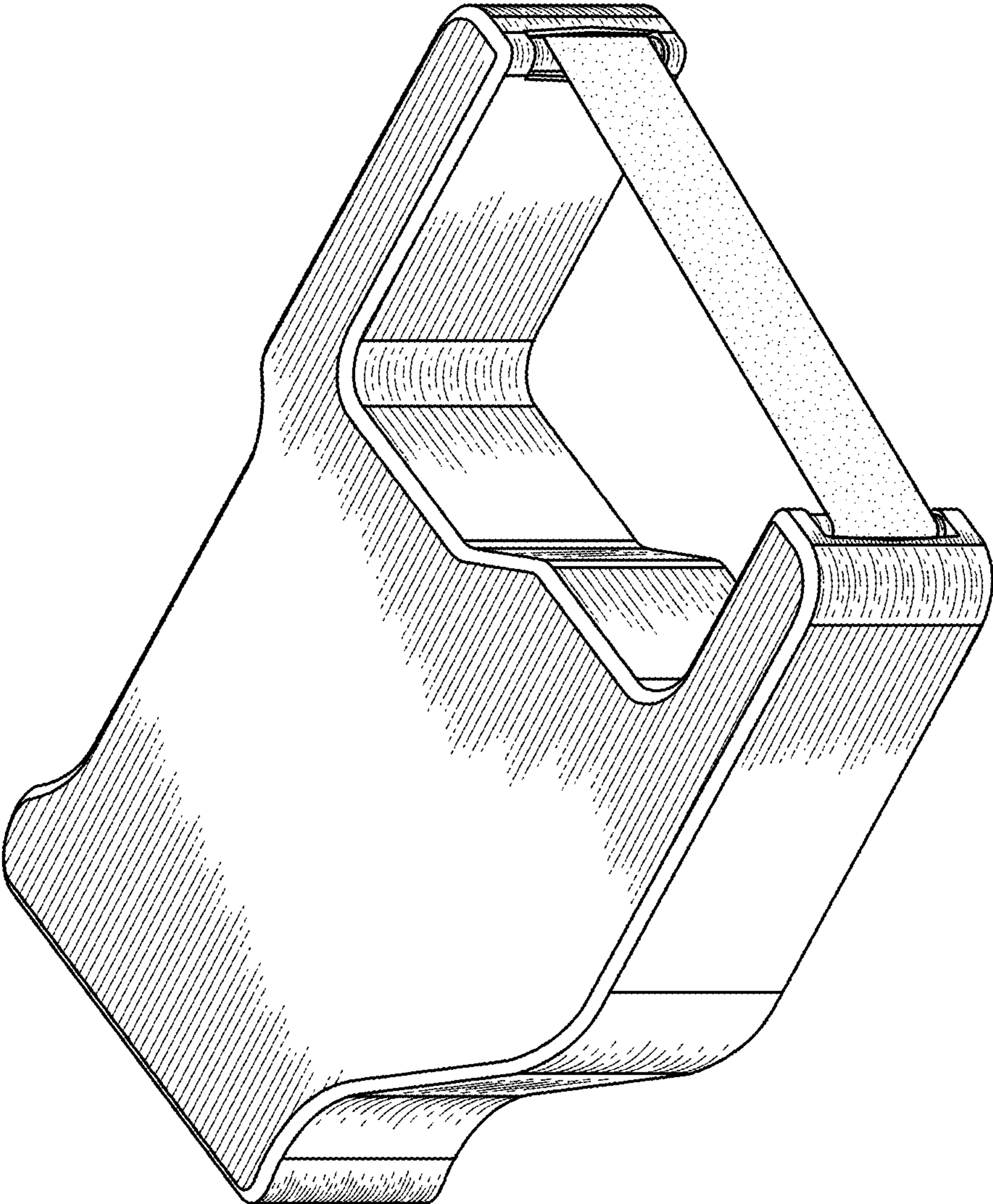


FIG. 1

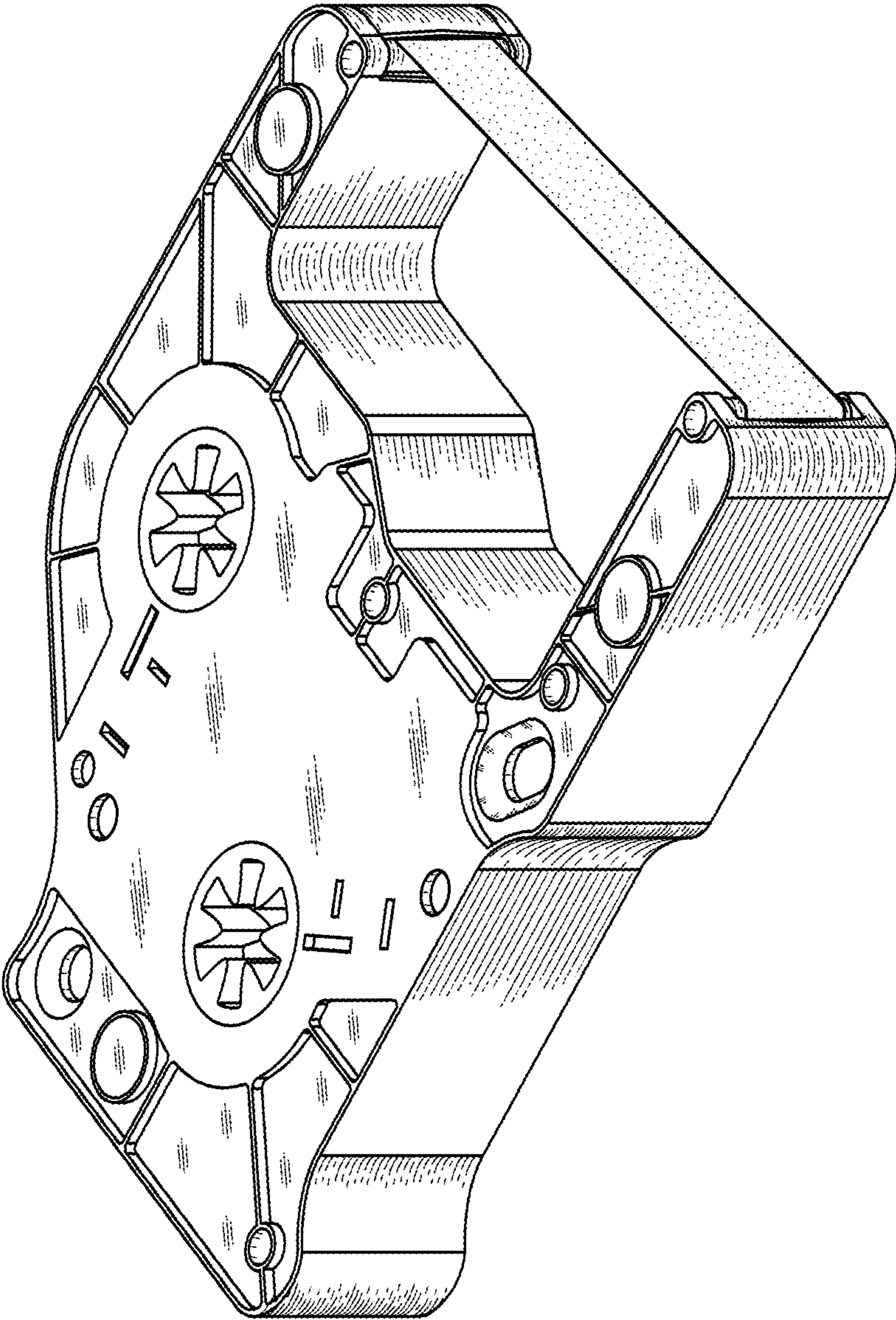


FIG. 2

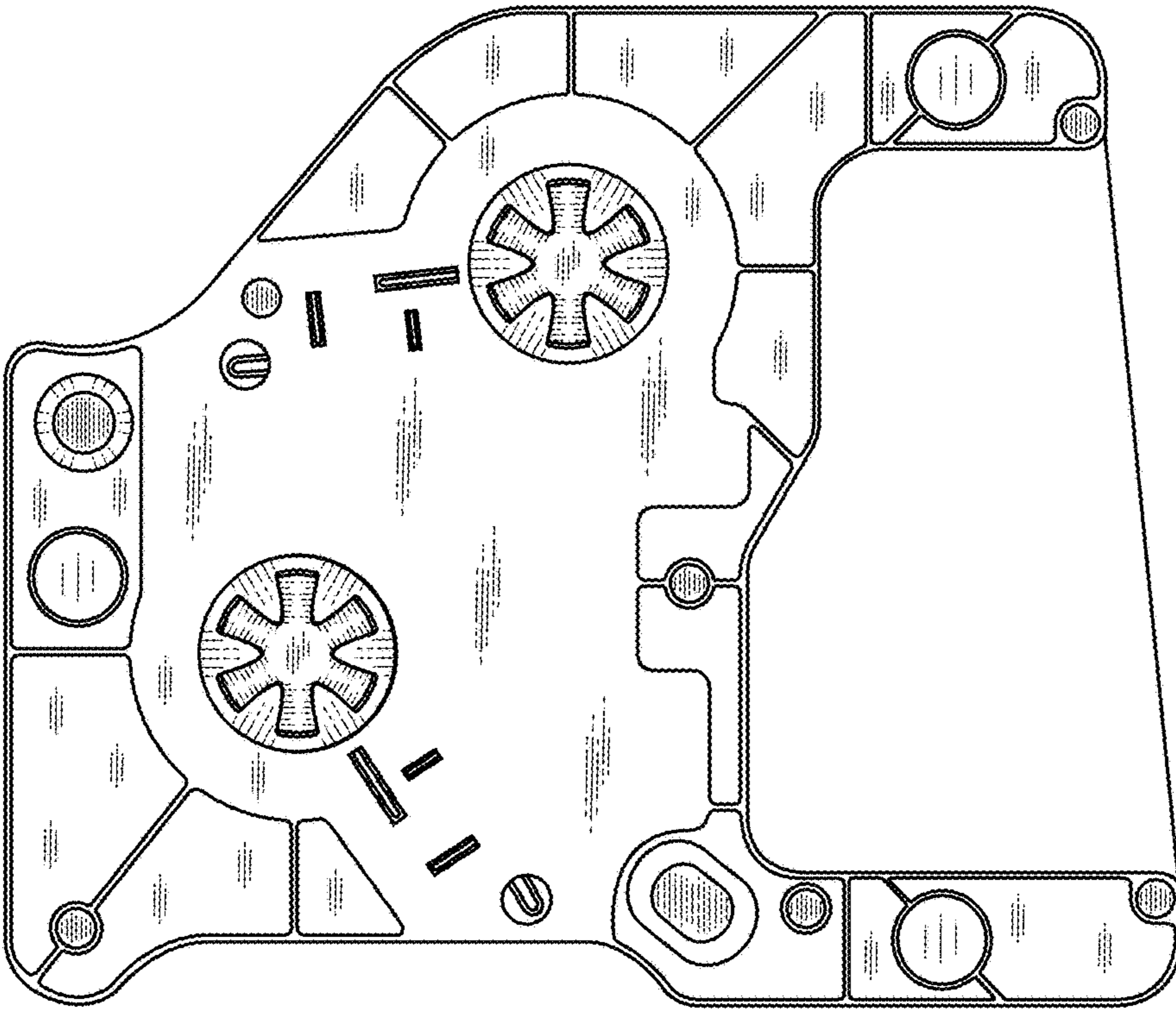


FIG. 4

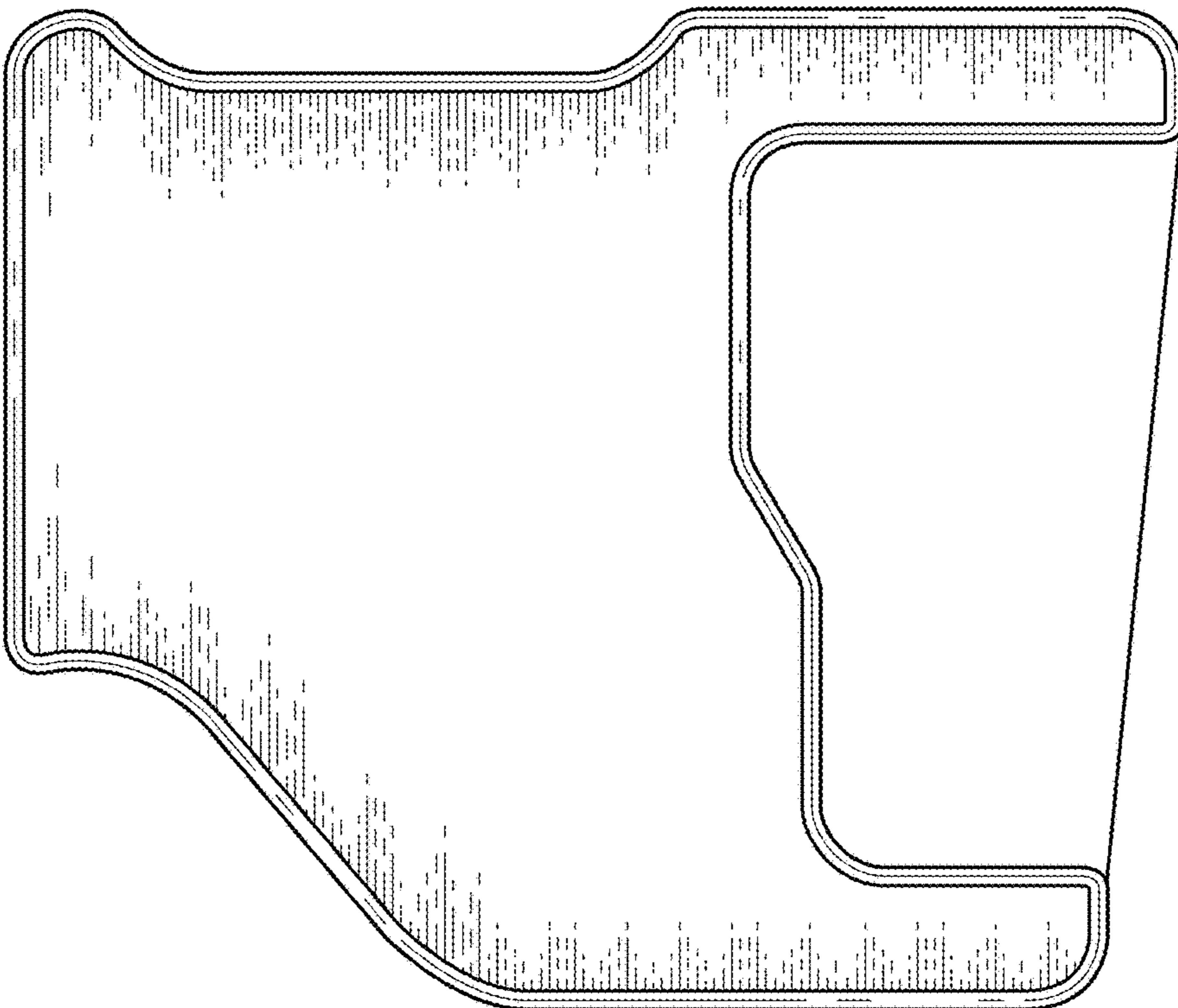


FIG. 3

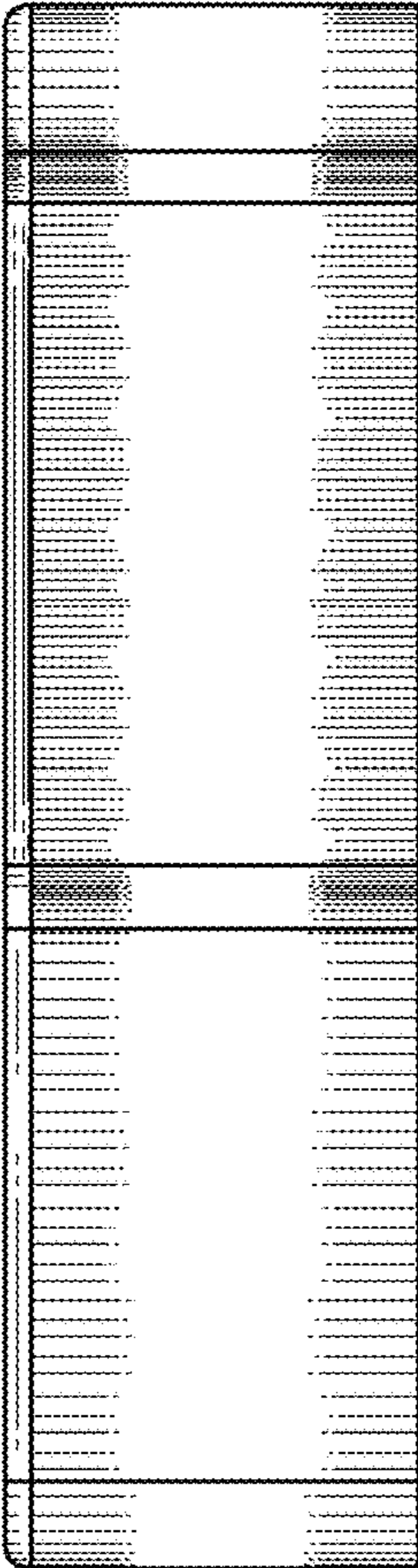


FIG. 5

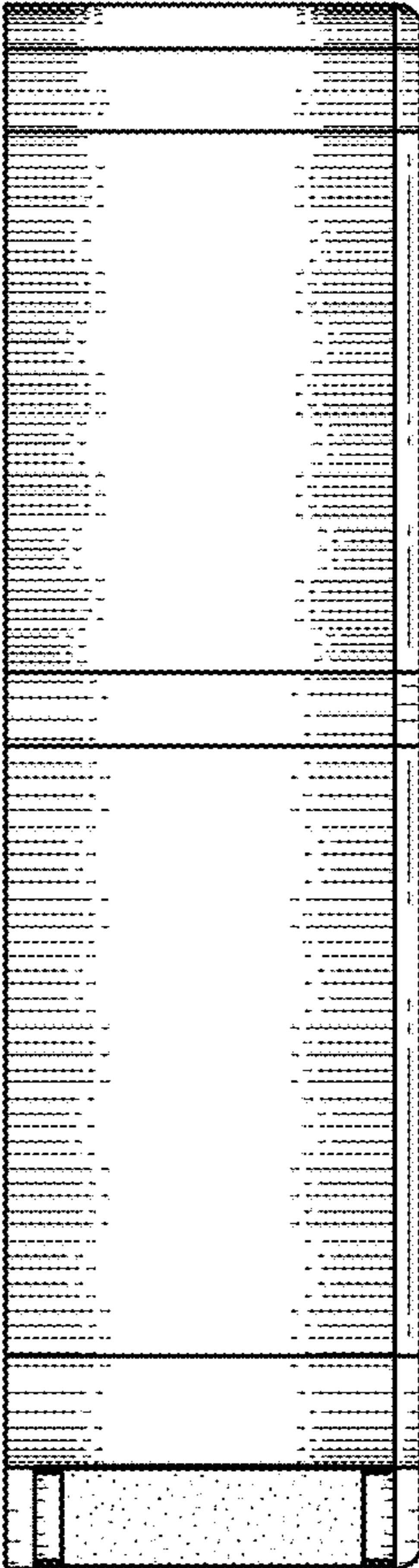


FIG. 6

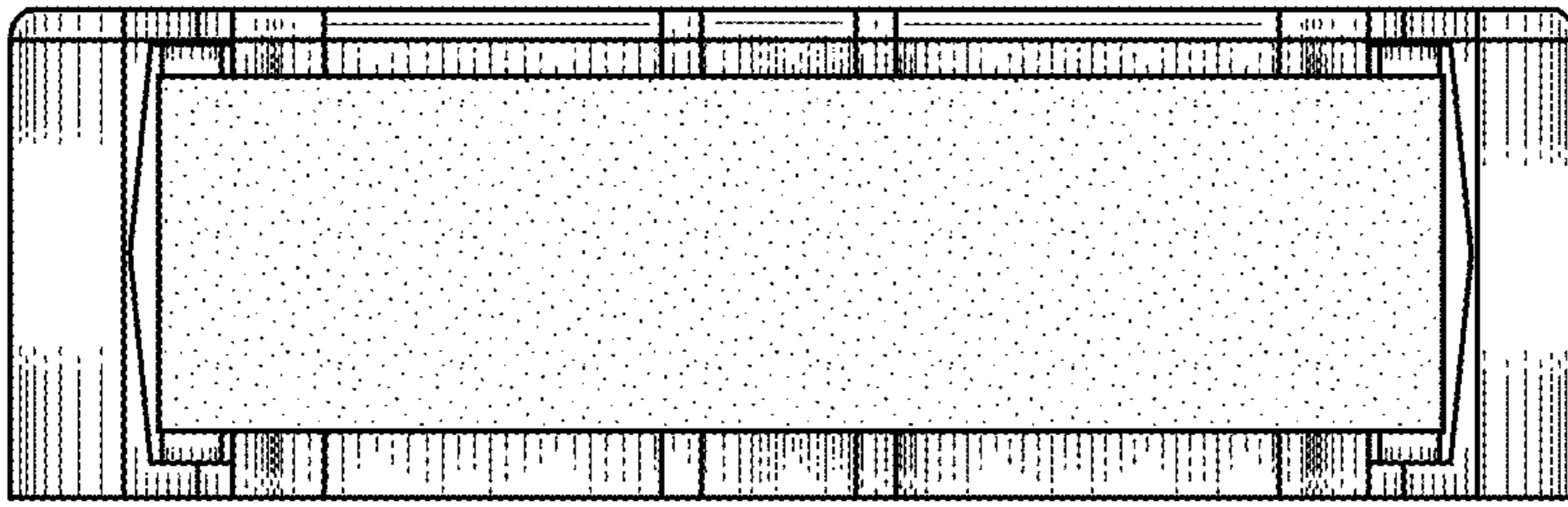


FIG. 8

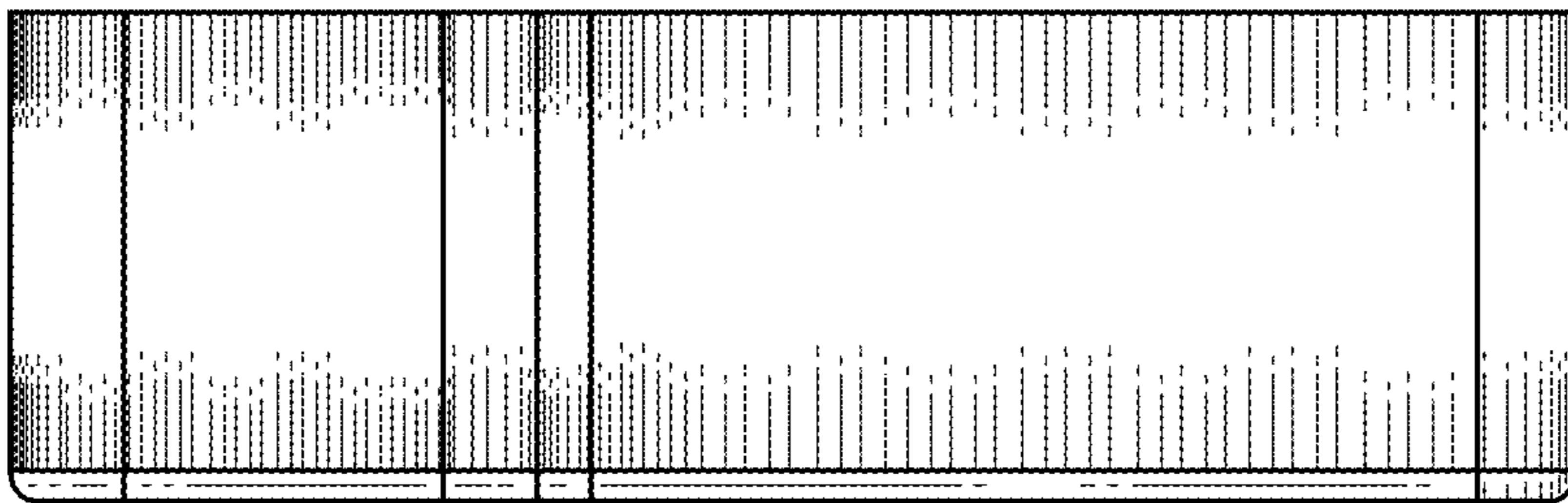


FIG. 7